



PARTS CATALOGUE

TILLER HANDLE (6X41)



1H6X4-110E1

()

TILLER HANDLE
PARTS CATALOGUE
©2008 by Yamaha Motor Co., Ltd.
1st edition, November 2008
All rights reserved.
Any reprinting or unauthorized use
without the written permission of
Yamaha Motor Co., Ltd.
is expressly prohibited.
Printed in Japan.

FOREWORD

This Parts Catalogue is related to the parts for the model(s) on the cover page. When you are ordering replacement parts, please refer to this Parts Catalogue and quote both part numbers and part names correctly.

1. Modifications or additions which have been made after the issue of the Parts Catalogue will be announced in the Parts News.

It is advisable that you make the necessary corrections to the Parts Catalogue according to the Parts News.

2. Abbreviations

The following abbreviations are used in this Parts Catalogue.

“UR” Use specified parts number.

“UN” Use as many as needed.

“AP” Alternate Parts

“LM” Locally Made (Parts need to be ordered locally)

“F#” Frame No. (Applicable machine No.)

“O/S” Over Size

3. The number of components for assembly

- Parts, which are to be supplied in an assembly, are listed with a dot (.) in front of the part name as shown below.
- The numeral appearing to the right of each component part indicates the quantity of parts for each assembly unit.

| PART NO. | DESCRIPTION | Q'TY | REMARKS |
|--------------|--------------------------|------|---------|
| 2F5-83310-60 | FRONT FLASHER LIGHT ASSY | 2 | |
| 115-83311-60 | .BULB (6V-18W) | 1 | |

4. Applicable colours of graphics are represented in the “REMARKS” as shown below.

| PART NO. | DESCRIPTION | Q'TY | REMARKS |
|-----------------|---------------------|------|---------|
| 2N4-24110-00-X5 | FUEL TANK COMP. | 2 | MXR |
| 3J1-24240-10 | .GRAPHIC, FUEL TANK | 1 | FOR MXR |

5. Note that the illustrations for reference in finding parts numbers are not to be used for assembling. When assembling, please use the applicable service manual.

6. The asterisk (*) before a reference number indicates modified items after the first edition.

CONTENTS

| | |
|--|----|
| BASE HANDLE-ALL | 1 |
| BASE HANDLE ELECTRICAL | 4 |
| FITTING KIT-F115 | 5 |
| FITTING KIT-F75,F90 | 6 |
| FITTING KIT:STEERING FRICTION-F75,F90,F115 | 7 |
| FITTING KIT-F/T50,F/T60 | 8 |
| FITTING KIT:STEERING FRICTION-F/T50,F/T60 | 9 |
| FITTING KIT-F40 | 10 |
| FITTING KIT:STEERING FRICTION-F40 | 11 |
| FITTING KIT-90 | 12 |
| FITTING KIT-70 | 13 |
| FITTING KIT:STEERING FRICTION-70,90 | 14 |
| FITTING KIT-50 | 15 |
| FITTING KIT:STEERING FRICTION-50 | 16 |
| FITTING KIT-F40(FI) | 17 |
| FITTING KIT:STEERING FRICTION-F40(FI) | 18 |

INDEX

| | |
|-----------------------|----|
| NUMERICAL INDEX | 19 |
|-----------------------|----|

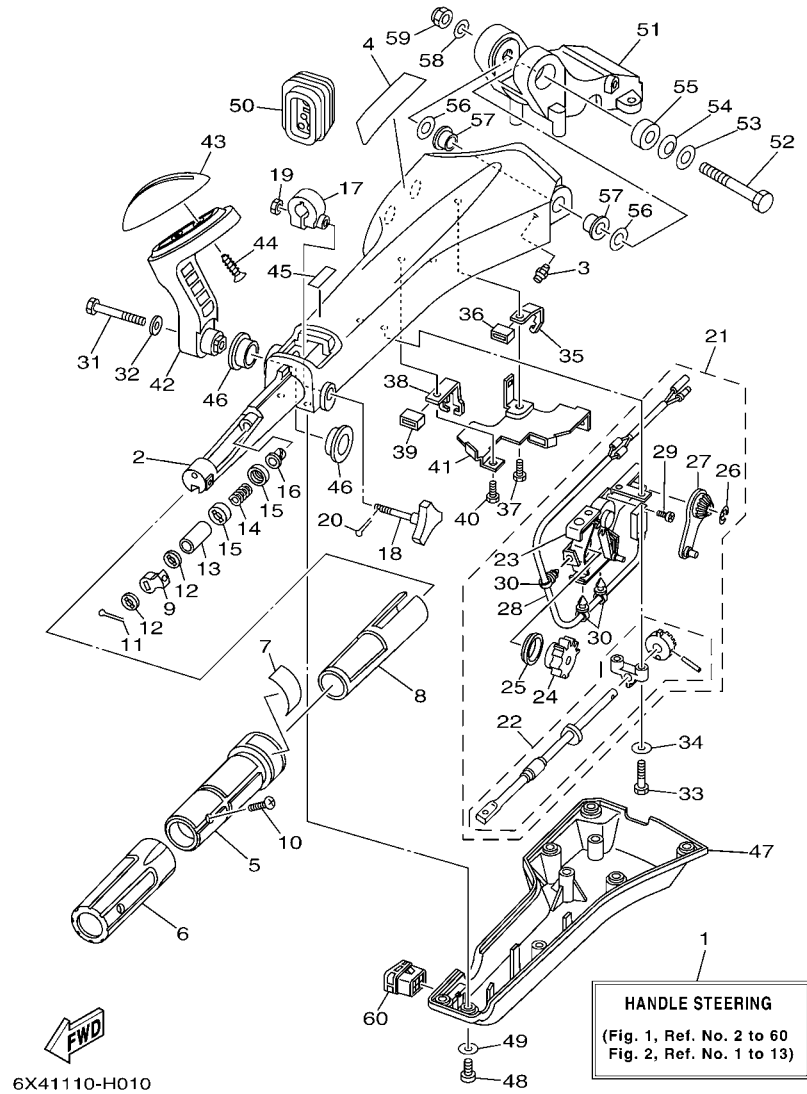


FIG. 1 BASE HANDLE-ALL

| REF. NO. | PART NO. | DESCRIPTION | 6X41 | | | | REMARKS |
|----------|-----------------|-------------------------------|------|--|--|--|---------|
| 1 | 6X4-42101-02 | HANDLE, STEERING | 1 | | | | LM |
| 2 | 6X4-42111-02-4D | HANDLE, STEERING | 1 | | | | |
| 3 | 93700-06M03 | NIPPLE, GREASE | 1 | | | | |
| 4 | 6X4-48215-00 | GRAPHIC | 1 | | | | |
| 5 | 6X4-42119-00 | GRIP, STEERING HANDLE | 1 | | | | |
| 6 | 6X4-42177-00 | RUBBER, HANDLE | 1 | | | | |
| 7 | 6X4-42137-00 | INDICATOR, THROTTLE | 1 | | | | |
| 8 | 6X4-41291-00 | BUSHING | 1 | | | | |
| 9 | 6X4-44139-00 | COLLAR | 1 | | | | |
| 10 | 90142-05001 | SCREW, COUNTERSUNK | 1 | | | | |
| 11 | 91490-20010 | PIN. COTTER | 1 | | | | |
| 12 | 6X4-44177-00 | WASHER | 2 | | | | |
| 13 | 6X4-42128-00 | COLLAR, DISTANCE 1 | 1 | | | | |
| 14 | 90501-23215 | SPRING, COMPRESSION | 1 | | | | |
| 15 | 6X4-44188-00 | WASHER | 2 | | | | |
| 16 | 90386-08032 | BUSH | 1 | | | | |
| 17 | 63D-42126-00 | FRICION, STEERING HANDLE GRIP | 1 | | | | |
| 18 | 6X4-48154-00 | KNOB, THROTTLE | 1 | | | | |
| 19 | 95380-06600 | NUT, HEXAGON | 1 | | | | |
| 20 | 91490-20010 | PIN. COTTER | 1 | | | | |
| 21 | 6X4-44100-00 | SHIFT LINK ASSY | 1 | | | | |
| 22 | 6X4-42115-00 | .SHAFT, STEERING HANDLE | 1 | | | | |
| 23 | 6X4-44102-00 | .SHIFT ASSIST ASSY. | 1 | | | | |
| 24 | 6X4-47731-00 | .GEAR, DRIVE | 1 | | | | |
| 25 | 6X4-44132-00 | .BUSHING | 1 | | | | |
| 26 | 6X4-14137-00 | .CLIP | 1 | | | | |
| 27 | 6X4-48261-00 | .ARM, THROTTLE | 1 | | | | |

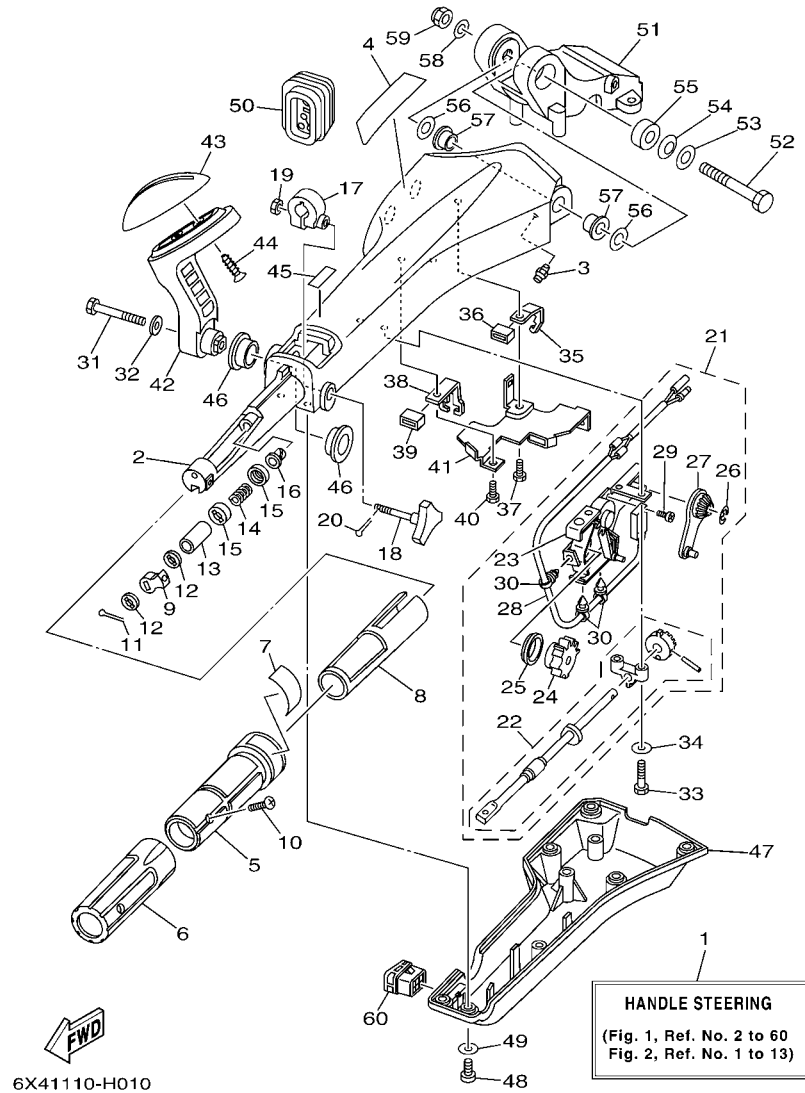
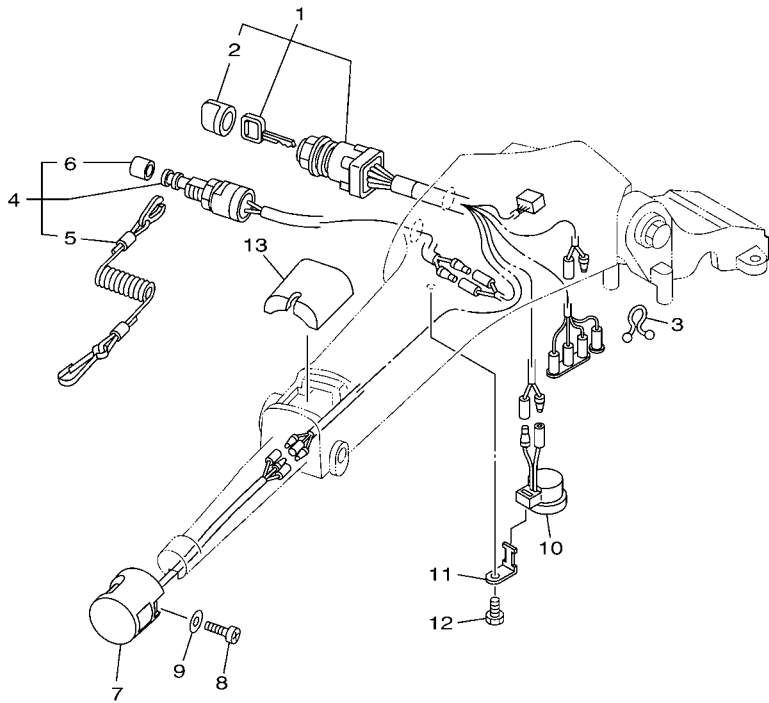


FIG. 1 BASE HANDLE-ALL

| REF. NO. | PART NO. | DESCRIPTION | 6X41 | | | | REMARKS |
|----------|-----------------|------------------------|------|--|--|--|---------|
| 28 | 6X4-82540-00 | .NEUTRAL SWITCH ASSY | 1 | | | | |
| 29 | 6A5-48129-10 | .SCREW 3 | 2 | | | | |
| 30 | 6X4-42821-00 | .BAND, CLAMP | 3 | | | | |
| 31 | 97095-08040 | BOLT | 1 | | | | |
| 32 | 92995-08600 | WASHER | 1 | | | | |
| 33 | 97095-06030 | BOLT | 2 | | | | |
| 34 | 92995-06600 | WASHER | 2 | | | | |
| 35 | 6X4-48538-00 | CLAMP, CABLE 1 | 1 | | | | |
| 36 | 6X4-26367-00 | PROTECTOR | 1 | | | | |
| 37 | 97095-06014 | BOLT | 1 | | | | |
| 38 | 6X4-48538-10 | CLAMP, CABLE 1 | 1 | | | | |
| 39 | 6X4-26367-00 | PROTECTOR | 1 | | | | |
| 40 | 97095-06014 | BOLT | 1 | | | | |
| 41 | 6X4-42159-00 | STAY | 1 | | | | |
| 42 | 6X4-44159-00-4D | HANDLE, GEAR SHIFT | 1 | | | | |
| 43 | 6X4-44173-00 | LEVER, SHIFT CONTROL | 1 | | | | |
| 44 | 97780-60920 | SCREW, TAPPING | 2 | | | | |
| 45 | 6G8-44191-00 | INDICATOR, SHIFT | 1 | | | | |
| 46 | 90386-26MA3 | BUSH | 2 | | | | |
| 47 | 6X4-42131-01 | COVER, HANDLE STEERING | 1 | | | | |
| 48 | 97885-06016 | SCREW, PAN HEAD | 6 | | | | |
| 49 | 92995-06600 | WASHER | 6 | | | | |
| 50 | 6X4-42725-01 | GROMMET | 1 | | | | |
| 51 | 63D-42121-22-4D | BRACKET | 1 | | | | |
| 52 | 90101-12014 | BOLT | 1 | | | | |
| 53 | 92990-12200 | WASHER, PLAIN | 1 | | | | |
| 54 | 90206-12M22 | WASHER, WAVE | 1 | | | | |




 6X41110-H020

FIG. 2 BASE HANDLE ELECTRICAL

| REF. NO. | PART NO. | DESCRIPTION | 6X41 | | | | REMARKS |
|----------|--------------|-------------------------|------|--|--|--|---------|
| 1 | 6X4-82510-00 | MAIN SWITCH ASSY | 1 | | | | |
| 2 | 676-82577-00 | .CAP, KEY | 1 | | | | |
| 3 | 90464-08M07 | CLAMP | 1 | | | | |
| 4 | 69W-82575-00 | ENGINE STOP SWITCH ASSY | 1 | | | | |
| 5 | 682-82556-00 | .LANYARD, STOP SWITCH | 1 | | | | |
| 6 | 689-8257Y-00 | .CAP | 1 | | | | |
| 7 | 6X4-82563-00 | TRIM & TILT SWITCH ASSY | 1 | | | | |
| 8 | 97880-06016 | SCREW, PAN HEAD | 1 | | | | |
| 9 | 92990-06600 | WASHER, PLATE | 1 | | | | |
| 10 | 6X4-83383-00 | BUZZER | 1 | | | | |
| 11 | 6X4-83386-00 | STAY, BUZZER | 1 | | | | |
| 12 | 97095-06014 | BOLT | 1 | | | | |
| 13 | 6X4-81942-00 | COVER | 1 | | | | |
| | | | | | | | |
| | | | | | | | |
| | | | | | | | |
| | | | | | | | |
| | | | | | | | |

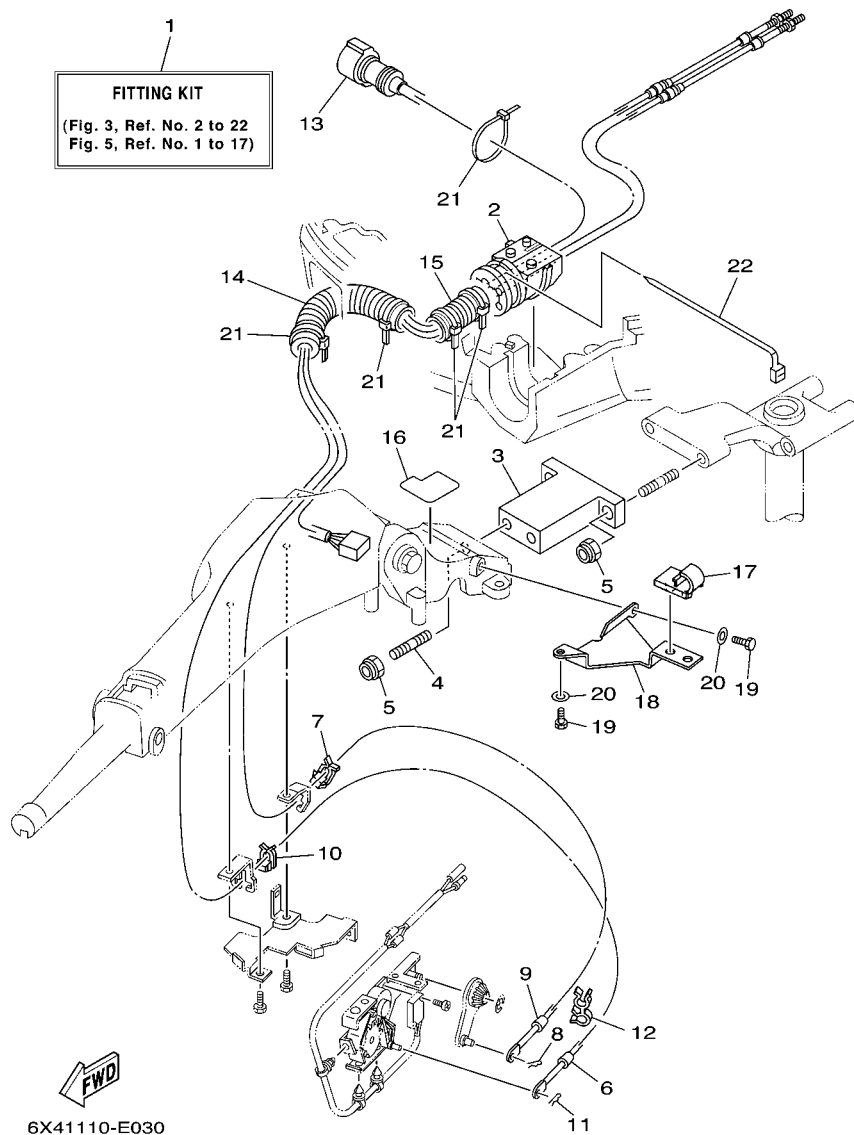


FIG. 3 FITTING KIT-F115

| REF. NO. | PART NO. | DESCRIPTION | 6X41 | | | | REMARKS |
|----------|-----------------|-------------------------------|------|--|--|--|---------|
| 1 | 6X4-42102-00 | FITTING KIT | 1 | | | | LM |
| 2 | 68V-42725-10 | GROMMET | 1 | | | | |
| 3 | 6X4-42121-10-4D | BRACKET | 1 | | | | |
| 4 | 90116-10175 | BOLT, STUD | 2 | | | | |
| 5 | 90185-10051 | NUT, SELF-LOCKING | 4 | | | | |
| 6 | 67G-48321-20 | CABLE | 1 | | | | |
| 7 | 63D-48538-00 | CLAMP, CABLE 1 | 1 | | | | |
| 8 | 90468-10005 | CLIP | 1 | | | | |
| 9 | 67G-26301-10 | THROTTLE CABLE ASSY | 1 | | | | |
| 10 | 63D-48538-00 | CLAMP, CABLE 1 | 1 | | | | |
| 11 | 90468-10005 | CLIP | 1 | | | | |
| 12 | 90464-09M42 | CLAMP | 1 | | | | |
| 13 | 6X4-82586-20 | EXT., WIRE HARNESS (L: 1.25M) | 1 | | | | |
| 14 | 90447-22007 | TUBE | 1 | | | | |
| 15 | 6G5-83557-00 | TUBE | 1 | | | | |
| 16 | 6X4-42735-00 | PROTECTOR | 1 | | | | |
| 17 | 63D-24367-00 | CLAMP, FUEL PIPE 2 | 1 | | | | |
| 18 | 6X4-24364-00 | STAY | 1 | | | | |
| 19 | 97095-06016 | BOLT | 2 | | | | |
| 20 | 92995-06600 | WASHER | 2 | | | | |
| 21 | 90465-13M24 | CLAMP | 5 | | | | |
| 22 | 90465-13M30 | CLAMP | 1 | | | | |

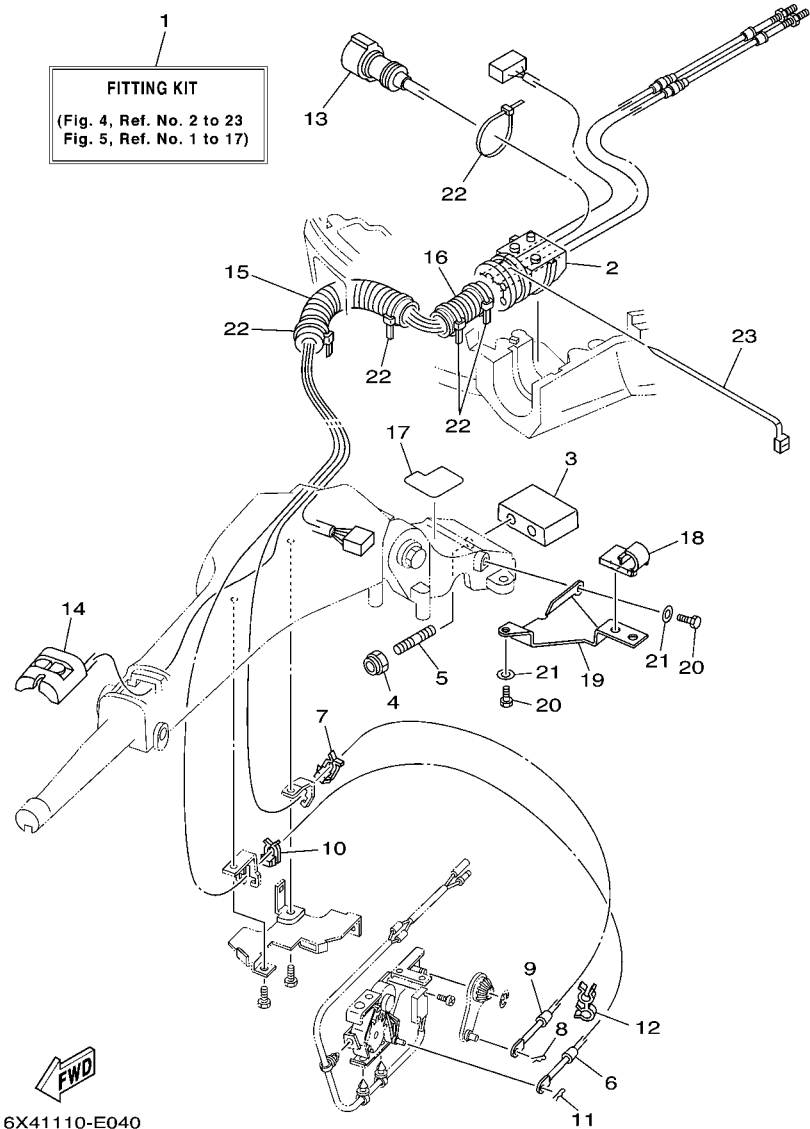
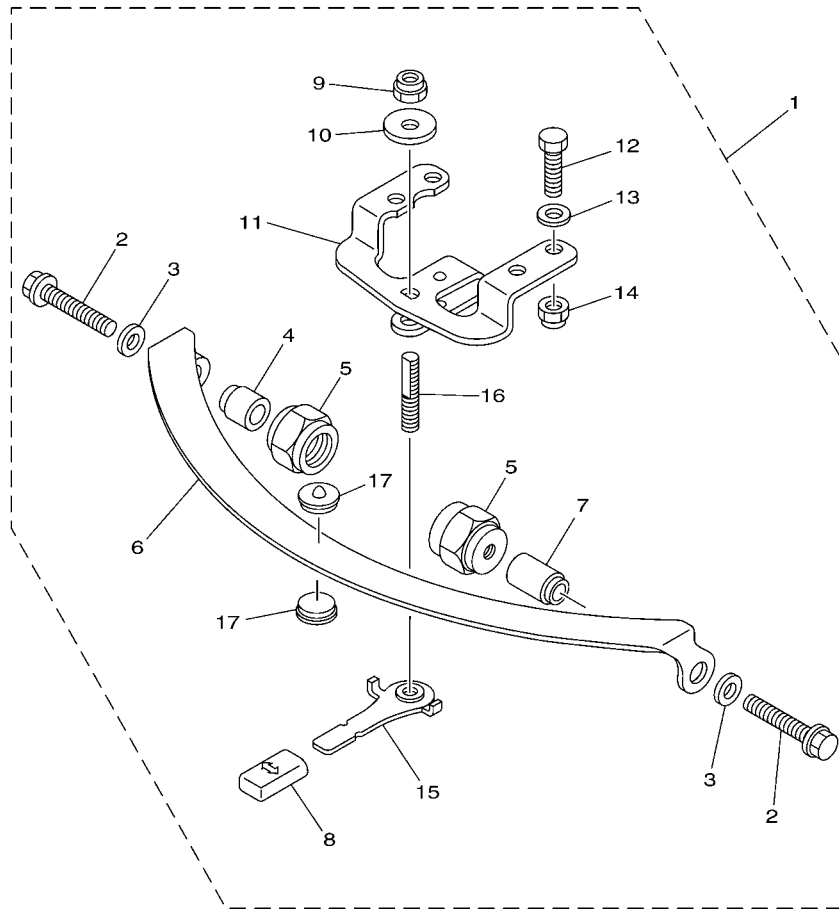


FIG. 4 FITTING KIT-F75,F90

| REF. NO. | PART NO. | DESCRIPTION | 6X41 | | | | REMARKS |
|----------|-----------------|-------------------------------|------|--|--|--|---------|
| 1 | 6X4-42102-10 | FITTING KIT | 1 | | | | LM |
| 2 | 68V-42725-10 | GROMMET | 1 | | | | |
| 3 | 6X4-42121-00-4D | BRACKET | 1 | | | | |
| 4 | 90185-10051 | NUT, SELF-LOCKING | 2 | | | | |
| 5 | 90116-10031 | BOLT, STUD | 2 | | | | |
| 6 | 67G-48321-20 | CABLE | 1 | | | | |
| 7 | 63D-48538-00 | CLAMP, CABLE 1 | 1 | | | | |
| 8 | 90468-10005 | CLIP | 1 | | | | |
| 9 | 67G-26301-10 | THROTTLE CABLE ASSY | 1 | | | | |
| 10 | 63D-48538-00 | CLAMP, CABLE 1 | 1 | | | | |
| 11 | 90468-10005 | CLIP | 1 | | | | |
| 12 | 90464-09M42 | CLAMP | 1 | | | | |
| 13 | 6X4-82586-20 | EXT., WIRE HARNESS (L: 1.25M) | 1 | | | | |
| 14 | 6X4-81860-00 | SWITCH ASSY | 1 | | | | |
| 15 | 90447-22007 | TUBE | 1 | | | | |
| 16 | 6K3-83557-00 | TUBE | 1 | | | | |
| 17 | 6X4-42735-00 | PROTECTOR | 1 | | | | |
| 18 | 63D-24367-00 | CLAMP, FUEL PIPE 2 | 1 | | | | |
| 19 | 6X4-24364-00 | STAY | 1 | | | | |
| 20 | 97095-06016 | BOLT | 2 | | | | |
| 21 | 92995-06600 | WASHER | 2 | | | | |
| 22 | 90465-13M24 | CLAMP | 5 | | | | |
| 23 | 90465-13M30 | CLAMP | 1 | | | | |

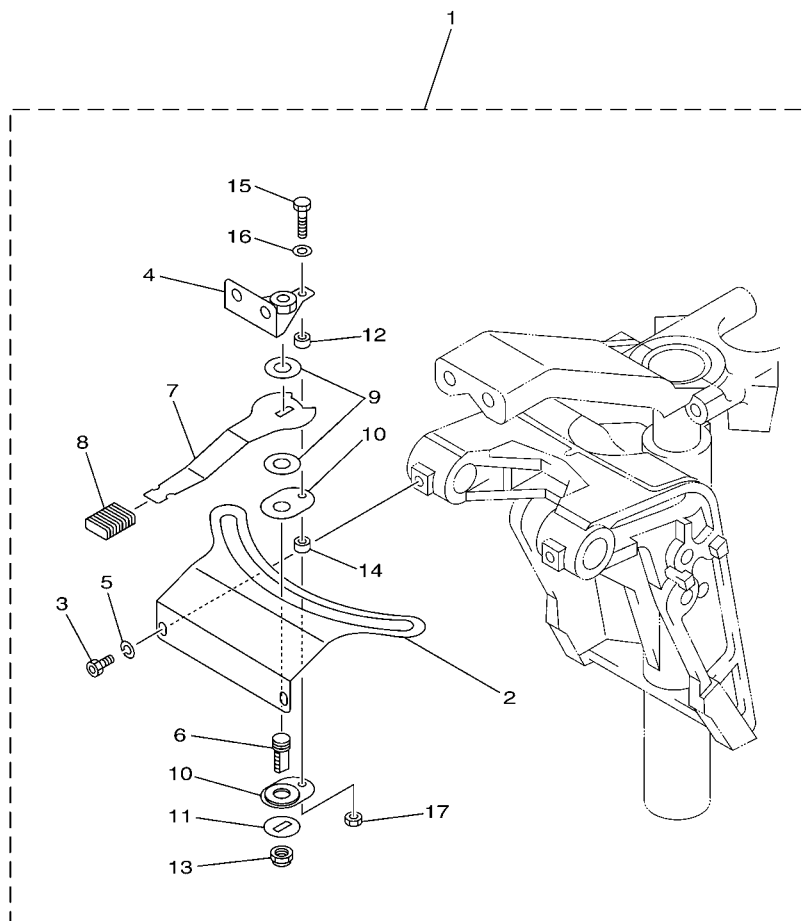



 6X41110-E050

FIG. 5 FITTING KIT:STEERING FRICTION-F75,F90,F115

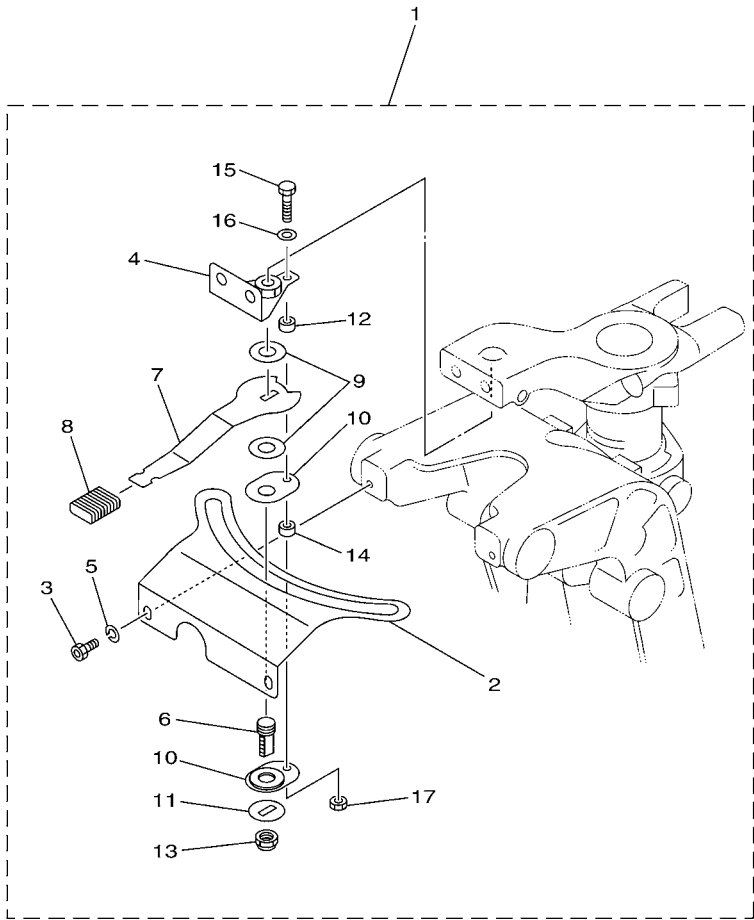
| REF. NO. | PART NO. | DESCRIPTION | 6X41 | | | | REMARKS |
|----------|--------------|------------------------|------|--|--|--|---------|
| 1 | 67G-42508-10 | STEERING FRICTION ASSY | 1 | | | | |
| 2 | 90119-08M74 | .BOLT, WITH WASHER | 2 | | | | |
| 3 | 90201-08M01 | .WASHER, PLATE | 2 | | | | |
| 4 | 67G-42541-00 | .PIPE 1 | 1 | | | | |
| 5 | 67G-42546-00 | .NUT | 2 | | | | |
| 6 | 63D-42527-00 | .PLATE, FRICTION | 1 | | | | |
| 7 | 67G-42541-10 | .PIPE 1 | 1 | | | | |
| 8 | 682-43318-01 | .COVER | 1 | | | | |
| 9 | 90185-10M14 | .NUT, SELF-LOCKING | 1 | | | | |
| 10 | 90201-10M76 | .WASHER, PLATE | 1 | | | | |
| 11 | 6X4-42526-00 | .PLATE, FRICTION | 1 | | | | |
| 12 | 97095-08025 | .BOLT | 2 | | | | |
| 13 | 92995-08600 | .WASHER | 2 | | | | |
| 14 | 90185-08057 | .NUT, SELF-LOCKING | 2 | | | | |
| 15 | 67G-42561-00 | .KNOB, STEERING LOCK | 1 | | | | |
| 16 | 67G-42562-00 | .SHAFT, STEERING LOCK | 1 | | | | |
| 17 | 63D-42528-00 | .PLATE, FRICTION | 2 | | | | |

FIG. 7 FITTING KIT:STEERING FRICTION-F/T50,F/T60




6C11010-D220

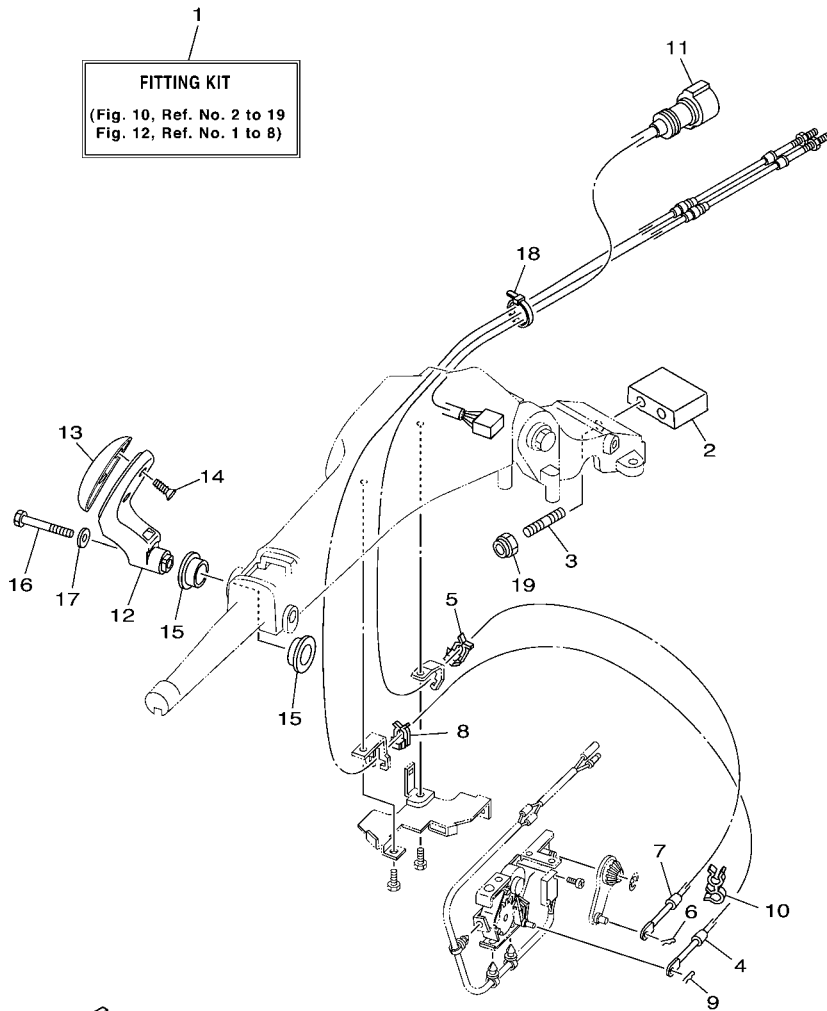
| REF. NO. | PART NO. | DESCRIPTION | 6X41 | | | | REMARKS |
|----------|--------------|------------------------|------|--|--|--|---------|
| 1 | 6C5-42508-00 | STEERING FRICTION ASSY | 1 | | | | |
| 2 | 6C5-42527-00 | .PLATE, FRICTION | 1 | | | | |
| 3 | 90109-06M88 | .BOLT | 2 | | | | |
| 4 | 67C-42525-00 | .PLATE, FRICTION | 1 | | | | |
| 5 | 92990-06100 | .WASHER, SPRING | 2 | | | | |
| 6 | 67C-42562-00 | .SHAFT, STEERING LOCK | 1 | | | | |
| 7 | 67C-42561-00 | .KNOB, STEERING LOCK | 1 | | | | |
| 8 | 689-43633-00 | .COVER, TILT LEVER | 1 | | | | |
| 9 | 90202-10M56 | .WASHER, PLATE | 2 | | | | |
| 10 | 65W-42528-00 | .PLATE, FRICTION | 2 | | | | |
| 11 | 90209-10M26 | .WASHER | 1 | | | | |
| 12 | 90387-05M05 | .COLLAR | 1 | | | | |
| 13 | 90185-10M14 | .NUT, SELF-LOCKING | 1 | | | | |
| 14 | 90387-05M11 | .COLLAR | 1 | | | | |
| 15 | 97095-05020 | .BOLT | 1 | | | | |
| 16 | 92995-05600 | .WASHER | 1 | | | | |
| 17 | 95380-05600 | .NUT | 1 | | | | |
| | | | | | | | |
| | | | | | | | |
| | | | | | | | |
| | | | | | | | |



67C3100-C200

FIG. 9 FITTING KIT:STEERING FRICTION-F40

| REF. NO. | PART NO. | DESCRIPTION | 6X41 | | | | REMARKS |
|----------|--------------|------------------------|------|--|--|--|---------|
| 1 | 67C-42508-03 | STEERING FRICTION ASSY | 1 | | | | |
| 2 | 67C-42527-03 | .PLATE, FRICTION | 1 | | | | |
| 3 | 90109-06M88 | .BOLT | 2 | | | | |
| 4 | 67C-42525-00 | .PLATE, FRICTION | 1 | | | | |
| 5 | 92990-06100 | .WASHER, SPRING | 2 | | | | |
| 6 | 67C-42562-00 | .SHAFT, STEERING LOCK | 1 | | | | |
| 7 | 67C-42561-00 | .KNOB, STEERING LOCK | 1 | | | | |
| 8 | 689-43633-00 | .COVER, TILT LEVER | 1 | | | | |
| 9 | 90202-10M56 | .WASHER, PLATE | 2 | | | | |
| 10 | 65W-42528-00 | .PLATE, FRICTION | 2 | | | | |
| 11 | 90209-10M26 | .WASHER | 1 | | | | |
| 12 | 90387-05M05 | .COLLAR | 1 | | | | |
| 13 | 90185-10M14 | .NUT, SELF-LOCKING | 1 | | | | |
| 14 | 90387-05M11 | .COLLAR | 1 | | | | |
| 15 | 97095-05020 | .BOLT | 1 | | | | |
| 16 | 92995-05600 | .WASHER | 1 | | | | |
| 17 | 95380-05600 | .NUT | 1 | | | | |
| | | | | | | | |
| | | | | | | | |
| | | | | | | | |

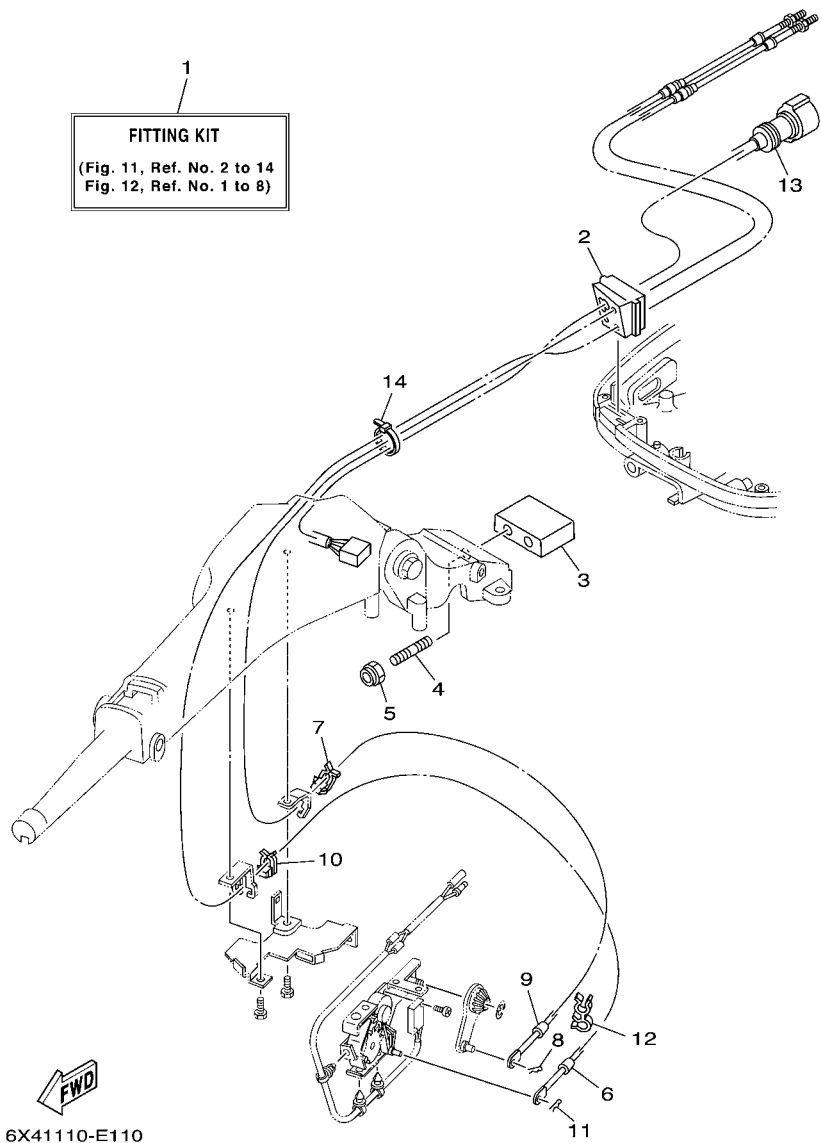


1
FITTING KIT
 (Fig. 10, Ref. No. 2 to 19
 Fig. 12, Ref. No. 1 to 8)

6X41110-E100

FIG. 10 FITTING KIT-90

| REF. NO. | PART NO. | DESCRIPTION | 6X41 | | | | REMARKS |
|----------|-----------------|-------------------------|------|--|--|--|---------|
| 1 | 6X4-42102-41 | FITTING KIT | 1 | | | | LM |
| 2 | 6X4-42121-00-4D | BRACKET | 1 | | | | |
| 3 | 90116-10031 | BOLT, STUD | 2 | | | | |
| 4 | 6H1-48321-11 | CABLE | 1 | | | | |
| 5 | 63D-48538-00 | CLAMP, CABLE 1 | 1 | | | | |
| 6 | 90468-10005 | CLIP | 1 | | | | |
| 7 | 6H1-26301-01 | THROTTLE CABLE ASSY | 1 | | | | |
| 8 | 63D-48538-00 | CLAMP, CABLE 1 | 1 | | | | |
| 9 | 90468-10005 | CLIP | 1 | | | | |
| 10 | 90464-09M42 | CLAMP | 1 | | | | |
| 11 | 6X4-82586-30 | EXTENSION, WIRE HARNESS | 1 | | | | |
| 12 | 6X4-44159-10-4D | HANDLE, GEAR SHIFT | 1 | | | | |
| 13 | 6X4-44173-00 | LEVER, SHIFT CONTROL | 1 | | | | |
| 14 | 97780-60920 | SCREW, TAPPING | 2 | | | | |
| 15 | 90386-26MA3 | BUSH | 1 | | | | |
| 16 | 97095-08040 | BOLT | 1 | | | | |
| 17 | 92995-08600 | WASHER | 1 | | | | |
| 18 | 90465-13M36 | CLAMP | 1 | | | | |
| 19 | 90185-10051 | NUT, SELF-LOCKING | 2 | | | | |

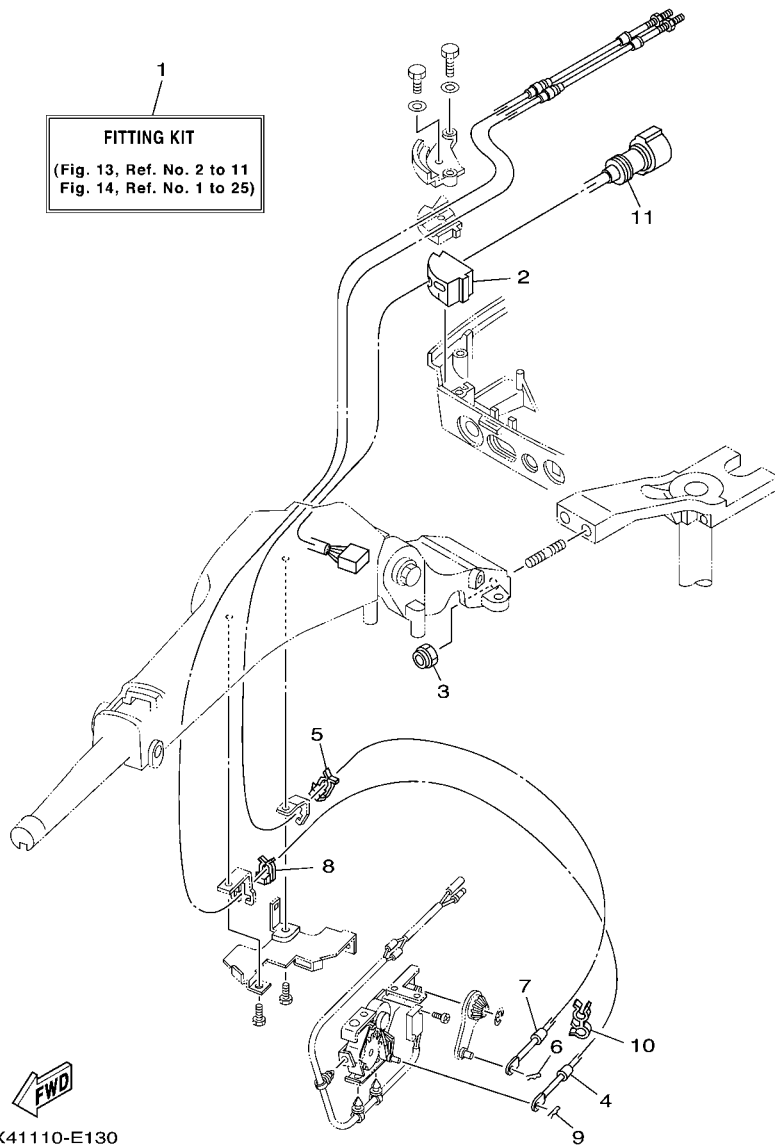


1
FITTING KIT
 (Fig. 11, Ref. No. 2 to 14
 Fig. 12, Ref. No. 1 to 8)

6X41110-E110

FIG. 11 FITTING KIT-70

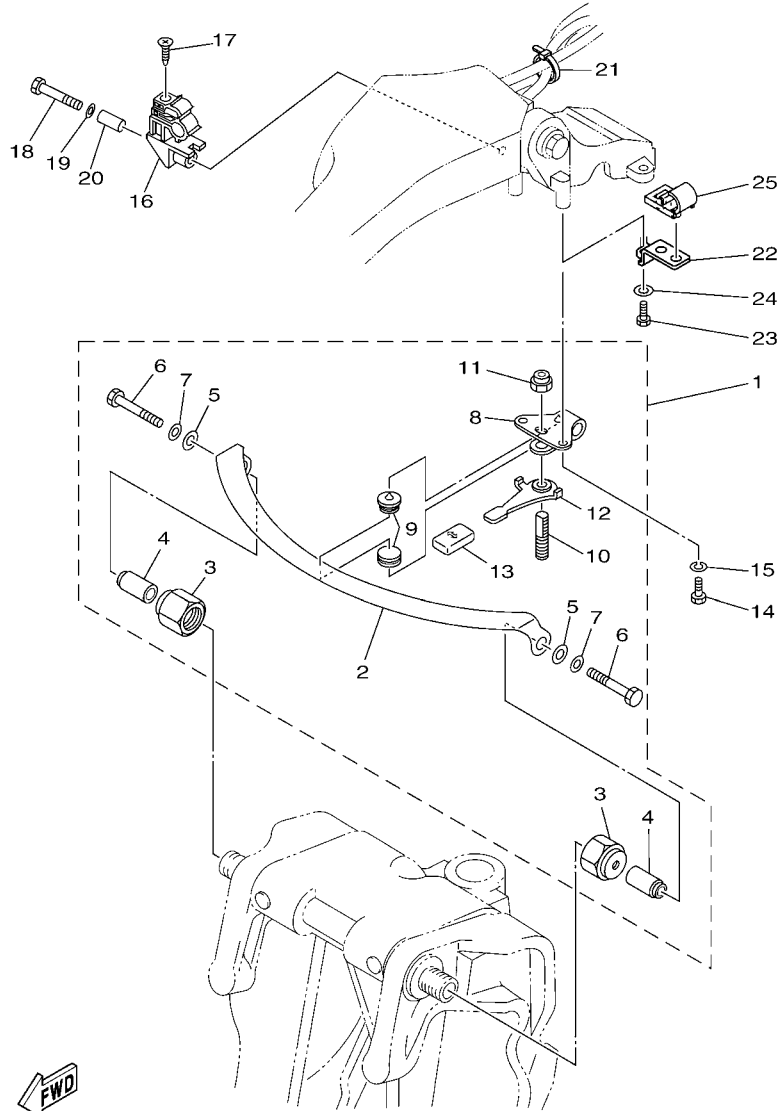
| REF. NO. | PART NO. | DESCRIPTION | 6X41 | | | | REMARKS |
|----------|-----------------|-------------------------|------|--|--|--|---------|
| 1 | 6X4-42102-51 | FITTING KIT | 1 | | | | LM |
| 2 | 6H3-42725-30 | GROMMET | 1 | | | | |
| 3 | 6X4-42121-00-4D | BRACKET | 1 | | | | |
| 4 | 90116-10031 | BOLT, STUD | 2 | | | | |
| 5 | 90185-10051 | NUT, SELF-LOCKING | 2 | | | | |
| 6 | 6H3-48321-11 | CABLE | 1 | | | | |
| 7 | 63D-48538-00 | CLAMP, CABLE 1 | 1 | | | | |
| 8 | 90468-10005 | CLIP | 1 | | | | |
| 9 | 6H3-26301-01 | THROTTLE CABLE ASSY | 1 | | | | |
| 10 | 63D-48538-00 | CLAMP, CABLE 1 | 1 | | | | |
| 11 | 90468-10005 | CLIP | 1 | | | | |
| 12 | 90464-09M42 | CLAMP | 1 | | | | |
| 13 | 6X4-82586-30 | EXTENSION, WIRE HARNESS | 1 | | | | |
| 14 | 90465-13M36 | CLAMP | 1 | | | | |



6X41110-E130

FIG. 13 FITTING KIT-50

| REF. NO. | PART NO. | DESCRIPTION | 6X41 | | | | REMARKS |
|----------|--------------|-------------------------------|------|--|--|--|---------|
| 1 | 6X4-42102-61 | FITTING KIT | 1 | | | | LM |
| 2 | 6H4-42724-20 | GROMMET | 1 | | | | |
| 3 | 90185-10051 | NUT, SELF-LOCKING | 2 | | | | |
| 4 | 63D-48321-11 | CABLE | 1 | | | | |
| 5 | 63D-48538-00 | CLAMP, CABLE 1 | 1 | | | | |
| 6 | 90468-10005 | CLIP | 1 | | | | |
| 7 | 63D-26301-01 | THROTTLE CABLE ASSY | 1 | | | | |
| 8 | 63D-48538-00 | CLAMP, CABLE 1 | 1 | | | | |
| 9 | 90468-10005 | CLIP | 1 | | | | |
| 10 | 90464-09M42 | CLAMP | 1 | | | | |
| 11 | 6X4-82586-00 | EXT., WIRE HARNESS (L: 700MM) | 1 | | | | |



62XA100-E180

FIG. 14 FITTING KIT:STEERING FRICTION-50

| REF. NO. | PART NO. | DESCRIPTION | 6X41 | | | | REMARKS |
|----------|--------------|------------------------|------|--|--|--|---------|
| 1 | 63D-42508-00 | STEERING FRICTION ASSY | 1 | | | | |
| 2 | 63D-42527-00 | .PLATE, FRICTION | 1 | | | | |
| 3 | 63D-42546-00 | .NUT | 2 | | | | |
| 4 | 63D-42541-00 | .PIPE 1 | 2 | | | | |
| 5 | 90201-08M01 | .WASHER, PLATE | 2 | | | | |
| 6 | 97095-08050 | .BOLT | 2 | | | | |
| 7 | 92990-08600 | .WASHER, PLATE | 2 | | | | |
| 8 | 63D-42526-00 | .PLATE, FRICTION | 1 | | | | |
| 9 | 63D-42528-00 | .PLATE, FRICTION | 2 | | | | |
| 10 | 63D-42562-00 | .SHAFT, STEERING LOCK | 1 | | | | |
| 11 | 90185-10M01 | .NUT, SELF-LOCKING | 1 | | | | |
| 12 | 63D-42561-00 | .KNOB, STEERING LOCK | 1 | | | | |
| 13 | 682-43318-01 | .COVER | 1 | | | | |
| 14 | 97095-06016 | BOLT | 2 | | | | |
| 15 | 92995-06100 | WASHER, SPRING | 2 | | | | |
| 16 | 63D-82361-00 | CLAMP, CORD | 1 | | | | |
| 17 | 90161-06M00 | SCREW, TAPPING | 1 | | | | |
| 18 | 97095-06035 | BOLT | 1 | | | | |
| 19 | 92995-06600 | WASHER | 1 | | | | |
| 20 | 90387-06M26 | COLLAR | 1 | | | | |
| 21 | 90465-13M36 | CLAMP | 1 | | | | |
| 22 | 63D-24364-10 | STAY | 1 | | | | |
| 23 | 97095-06016 | BOLT | 1 | | | | |
| 24 | 92995-06600 | WASHER | 1 | | | | |
| 25 | 63D-24367-00 | CLAMP, FUEL PIPE 2 | 1 | | | | |

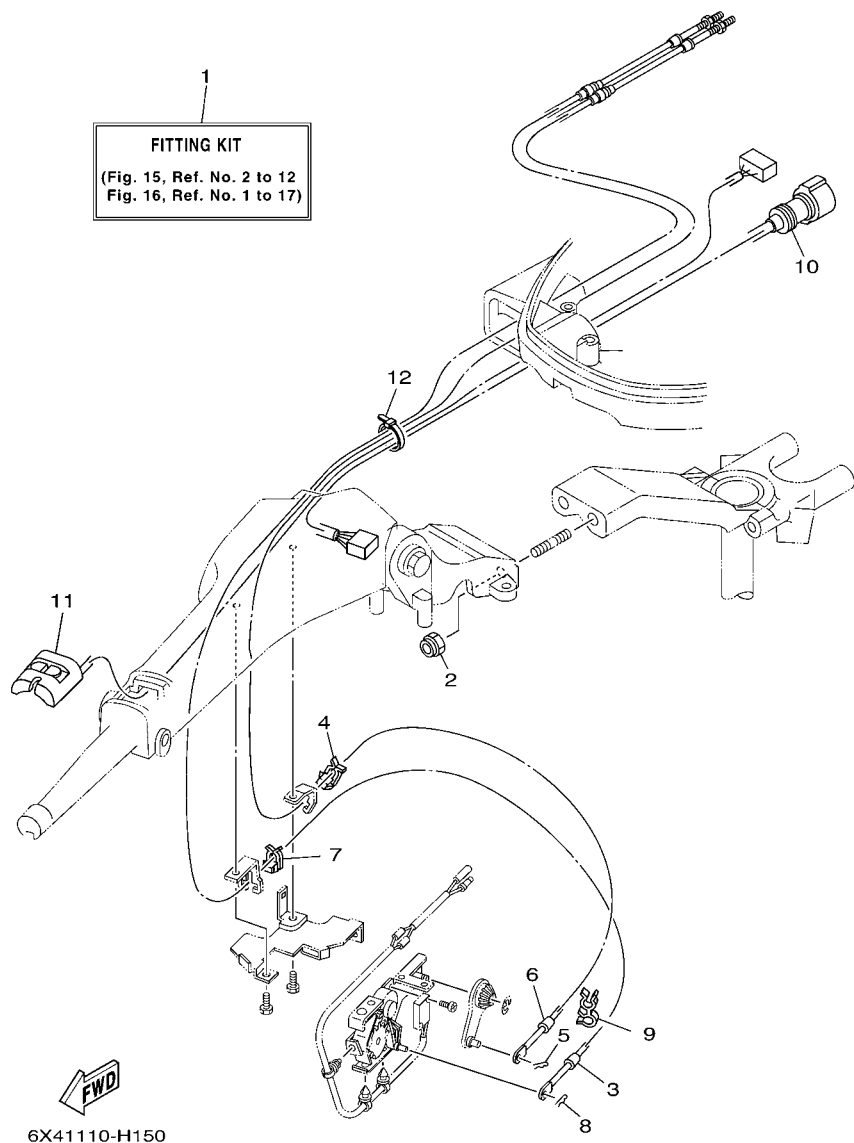
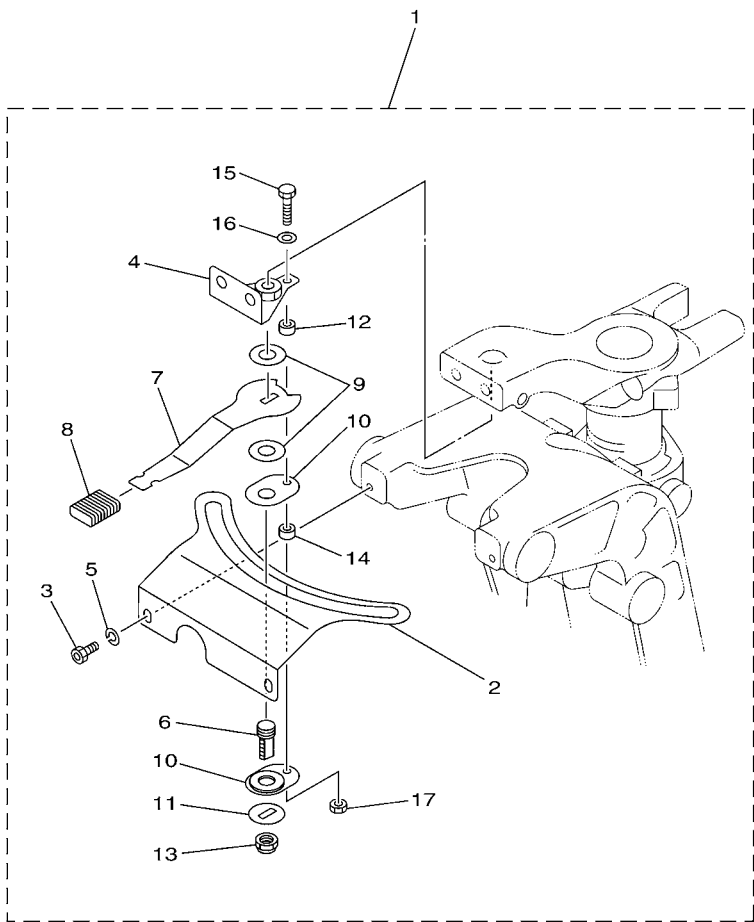


FIG. 15 FITTING KIT-F40(FI)

| REF. NO. | PART NO. | DESCRIPTION | 6X41 | | | | REMARKS |
|----------|--------------|-------------------------------|------|--|--|--|---------|
| 1 | 6X4-42102-70 | FITTING KIT | 1 | | | | LM |
| 2 | 90185-10051 | NUT, SELF-LOCKING | 2 | | | | |
| 3 | 67C-48321-11 | CABLE | 1 | | | | |
| 4 | 63D-48538-00 | CLAMP, CABLE 1 | 1 | | | | |
| 5 | 90468-10005 | CLIP | 1 | | | | |
| 6 | 69W-26301-00 | THROTTLE CABLE ASSY | 1 | | | | |
| 7 | 63D-48538-00 | CLAMP, CABLE 1 | 1 | | | | |
| 8 | 90468-10005 | CLIP | 1 | | | | |
| 9 | 90464-09M42 | CLAMP | 1 | | | | |
| 10 | 6X4-82586-10 | EXT., WIRE HARNESS (L: 950MM) | 1 | | | | |
| 11 | 6X4-81860-00 | SWITCH ASSY | 1 | | | | |
| 12 | 90465-13M36 | CLAMP | 1 | | | | |

FIG. 16 FITTING KIT:STEERING FRICTION-F40(FI)



6X41110-H160

| REF. NO. | PART NO. | DESCRIPTION | 6X41 | | | | REMARKS |
|----------|--------------|------------------------|------|--|--|--|---------|
| 1 | 67C-42508-03 | STEERING FRICTION ASSY | 1 | | | | |
| 2 | 67C-42527-03 | .PLATE, FRICTION | 1 | | | | |
| 3 | 90109-06M88 | .BOLT | 2 | | | | |
| 4 | 67C-42525-00 | .PLATE, FRICTION | 1 | | | | |
| 5 | 92990-06100 | .WASHER, SPRING | 2 | | | | |
| 6 | 67C-42562-00 | .SHAFT, STEERING LOCK | 1 | | | | |
| 7 | 67C-42561-00 | .KNOB, STEERING LOCK | 1 | | | | |
| 8 | 689-43633-00 | .COVER, TILT LEVER | 1 | | | | |
| 9 | 90202-10M56 | .WASHER, PLATE | 2 | | | | |
| 10 | 65W-42528-00 | .PLATE, FRICTION | 2 | | | | |
| 11 | 90209-10M26 | .WASHER | 1 | | | | |
| 12 | 90387-05M05 | .COLLAR | 1 | | | | |
| 13 | 90185-10M14 | .NUT, SELF-LOCKING | 1 | | | | |
| 14 | 90387-05M11 | .COLLAR | 1 | | | | |
| 15 | 97095-05020 | .BOLT | 1 | | | | |
| 16 | 92995-05600 | .WASHER | 1 | | | | |
| 17 | 95380-05600 | .NUT | 1 | | | | |
| | | | | | | | |
| | | | | | | | |
| | | | | | | | |
| | | | | | | | |

NUMERICAL INDEX

| PART NO. | REF. NO. | PART NO. | REF. NO. | PART NO. | REF. NO. | PART NO. | REF. NO. | PART NO. | REF. NO. | PART NO. | REF. NO. |
|-----------------|----------|--------------|----------|-----------------|----------|--------------|----------|-------------|----------|-------------|----------|
| 6X4-14137-00 | 1 - 26 | 663-42518-00 | 12 - 2 | 6X4-44100-00 | 1 - 21 | 6X4-82540-00 | 1 - 28 | 90201-10M76 | 5 - 10 | 90468-10005 | 8 - 6 |
| 6X4-24364-00 | 3 - 18 | 67C-42525-00 | 7 - 4 | 6X4-44102-00 | 1 - 23 | 682-82556-00 | 2 - 5 | 90201-12035 | 1 - 56 | | 8 - 9 |
| | 4 - 19 | | 9 - 4 | 6X4-44132-00 | 1 - 25 | 6X4-82563-00 | 2 - 7 | 90202-10M56 | 7 - 9 | | 10 - 6 |
| 63D-24364-10 | 14 - 22 | | 16 - 4 | 6X4-44139-00 | 1 - 9 | 69W-82575-00 | 2 - 4 | | 9 - 9 | | 10 - 9 |
| 63D-24367-00 | 3 - 17 | 63D-42526-00 | 14 - 8 | 6X4-44159-00-4D | 1 - 42 | 676-82577-00 | 2 - 2 | | 16 - 9 | | 11 - 8 |
| | 4 - 18 | 6X4-42526-00 | 5 - 11 | 6X4-44159-10-4D | 10 - 12 | 689-8257Y-00 | 2 - 6 | 90206-12M22 | 1 - 54 | | 11 - 11 |
| | 14 - 25 | 63D-42527-00 | 5 - 6 | 6X4-44173-00 | 1 - 43 | 6X4-82586-00 | 8 - 11 | 90209-10M26 | 7 - 11 | | 13 - 6 |
| 69W-26301-00 | 6 - 7 | | 14 - 2 | | 10 - 13 | | 13 - 11 | | 9 - 11 | | 13 - 9 |
| | 8 - 7 | 6C5-42527-00 | 7 - 2 | 6X4-44177-00 | 1 - 12 | 6X4-82586-10 | 6 - 11 | | 16 - 11 | | 15 - 5 |
| | 15 - 6 | 67C-42527-03 | 9 - 2 | 6X4-44188-00 | 1 - 15 | | 15 - 10 | 90386-08032 | 1 - 16 | | 15 - 8 |
| 63D-26301-01 | 13 - 7 | | 16 - 2 | 6G8-44191-00 | 1 - 45 | 6X4-82586-20 | 3 - 13 | 90386-12003 | 1 - 57 | 90501-23215 | 1 - 14 |
| 6H1-26301-01 | 10 - 7 | 63D-42528-00 | 5 - 17 | 6X4-47731-00 | 1 - 24 | | 4 - 13 | 90386-26MA3 | 1 - 46 | 91490-20010 | 1 - 11 |
| 6H3-26301-01 | 11 - 9 | | 14 - 9 | 6A5-48129-10 | 1 - 29 | 6X4-82586-30 | 10 - 11 | | 10 - 15 | | 1 - 20 |
| 67G-26301-10 | 3 - 9 | 65W-42528-00 | 7 - 10 | 6X4-48154-00 | 1 - 18 | | 11 - 13 | 90387-05M05 | 7 - 12 | 92990-06100 | 7 - 5 |
| | 4 - 9 | | 9 - 10 | 6X4-48215-00 | 1 - 4 | 6X4-83383-00 | 2 - 10 | | 9 - 12 | | 9 - 5 |
| 6X4-26367-00 | 1 - 36 | | 16 - 10 | 6X4-48261-00 | 1 - 27 | 6X4-83386-00 | 2 - 11 | | 16 - 12 | | 16 - 5 |
| | 1 - 39 | 663-42528-00 | 12 - 3 | 63D-48321-11 | 13 - 4 | 6G5-83557-00 | 3 - 15 | 90387-05M11 | 7 - 14 | 92990-06600 | 2 - 9 |
| 6X4-41291-00 | 1 - 8 | 63D-42541-00 | 14 - 4 | 67C-48321-11 | 6 - 4 | 6K3-83557-00 | 4 - 16 | | 9 - 14 | 92990-08600 | 12 - 7 |
| 6X4-42101-02 | 1 - 1 | 67G-42541-00 | 5 - 4 | | 8 - 4 | 90101-12014 | 1 - 52 | | 16 - 14 | | 14 - 7 |
| 6X4-42102-00 | 3 - 1 | 67G-42541-10 | 5 - 7 | | 15 - 3 | 90109-06M88 | 7 - 3 | 90387-06M26 | 14 - 20 | 92990-12200 | 1 - 53 |
| 6X4-42102-10 | 4 - 1 | 63D-42546-00 | 14 - 3 | 6H1-48321-11 | 10 - 4 | | 9 - 3 | 90387-12M02 | 1 - 55 | 92990-12600 | 1 - 58 |
| 6X4-42102-21 | 6 - 1 | 67G-42546-00 | 5 - 5 | 6H3-48321-11 | 11 - 6 | | 16 - 3 | 90447-22007 | 3 - 14 | 92995-05600 | 7 - 16 |
| 6X4-42102-31 | 8 - 1 | 63D-42561-00 | 14 - 12 | 67G-48321-20 | 3 - 6 | 90116-10031 | 4 - 5 | | 4 - 15 | | 9 - 16 |
| 6X4-42102-41 | 10 - 1 | 67C-42561-00 | 7 - 7 | | 4 - 6 | | 10 - 3 | 90464-08M07 | 2 - 3 | | 16 - 16 |
| 6X4-42102-51 | 11 - 1 | | 9 - 7 | 63D-48538-00 | 3 - 7 | | 11 - 4 | 90464-09M42 | 3 - 12 | 92995-06100 | 14 - 15 |
| 6X4-42102-61 | 13 - 1 | | 16 - 7 | | 3 - 10 | 90116-10175 | 3 - 4 | | 4 - 12 | 92995-06600 | 1 - 34 |
| 6X4-42102-70 | 15 - 1 | 67G-42561-00 | 5 - 15 | | 4 - 7 | 90119-08M74 | 5 - 2 | | 6 - 10 | | 1 - 49 |
| 6X4-42111-02-4D | 1 - 2 | 63D-42562-00 | 14 - 10 | | 4 - 10 | 90142-05001 | 1 - 10 | | 8 - 10 | | 3 - 20 |
| 6X4-42115-00 | 1 - 22 | 67C-42562-00 | 7 - 6 | | 6 - 5 | 90161-06M00 | 14 - 17 | | 10 - 10 | | 4 - 21 |
| 6X4-42119-00 | 1 - 5 | | 9 - 6 | | 6 - 8 | 90175-06003 | 12 - 5 | | 11 - 12 | | 14 - 19 |
| 6X4-42121-00-4D | 4 - 3 | | 16 - 6 | | 8 - 5 | 90185-08057 | 5 - 14 | | 13 - 10 | | 14 - 24 |
| | 10 - 2 | 67G-42562-00 | 5 - 16 | | 8 - 8 | | 12 - 8 | | 15 - 9 | 92995-08600 | 1 - 32 |
| | 11 - 3 | 6H4-42724-20 | 13 - 2 | | 10 - 5 | 90185-10051 | 3 - 5 | 90465-13M24 | 3 - 21 | | 5 - 13 |
| 6X4-42121-10-4D | 3 - 3 | 6X4-42725-01 | 1 - 50 | | 10 - 8 | | 4 - 4 | | 4 - 22 | | 10 - 17 |
| 63D-42121-22-4D | 1 - 51 | 68V-42725-10 | 3 - 2 | | 11 - 7 | | 6 - 3 | 90465-13M30 | 3 - 22 | 93700-06M03 | 1 - 3 |
| 63D-42126-00 | 1 - 17 | | 4 - 2 | | 11 - 10 | | 8 - 3 | | 4 - 23 | 95380-05600 | 7 - 17 |
| 6X4-42128-00 | 1 - 13 | 62Y-42725-30 | 8 - 2 | | 13 - 5 | | 10 - 19 | 90465-13M36 | 6 - 13 | | 9 - 17 |
| 6X4-42131-01 | 1 - 47 | 6C5-42725-30 | 6 - 2 | | 13 - 8 | | 11 - 5 | | 8 - 12 | | 16 - 17 |
| 6X4-42137-00 | 1 - 7 | 6H3-42725-30 | 11 - 2 | | 15 - 4 | | 13 - 3 | | 10 - 18 | 95380-06600 | 1 - 19 |
| 6X4-42159-00 | 1 - 41 | 6X4-42728-10 | 1 - 60 | | 15 - 7 | | 15 - 2 | | 11 - 14 | 97080-06035 | 12 - 4 |
| 6X4-42177-00 | 1 - 6 | 6X4-42735-00 | 3 - 16 | 6X4-48538-00 | 1 - 35 | 90185-10M01 | 14 - 11 | | 14 - 21 | 97095-05020 | 7 - 15 |
| 63D-42508-00 | 14 - 1 | | 4 - 17 | 6X4-48538-10 | 1 - 38 | 90185-10M14 | 5 - 9 | | 15 - 12 | | 9 - 15 |
| 6C5-42508-00 | 7 - 1 | 6X4-42821-00 | 1 - 30 | 6X4-81860-00 | 4 - 14 | | 7 - 13 | 90468-10005 | 3 - 8 | | 16 - 15 |
| 692-42508-01 | 12 - 1 | 682-43318-01 | 5 - 8 | | 6 - 12 | | 9 - 13 | | 3 - 11 | 97095-06014 | 1 - 37 |
| 67C-42508-03 | 9 - 1 | | 14 - 13 | | 15 - 11 | | 16 - 13 | | 4 - 8 | | 1 - 40 |
| | 16 - 1 | 689-43633-00 | 7 - 8 | 6X4-81942-00 | 2 - 13 | 90185-12M12 | 1 - 59 | | 4 - 11 | | 2 - 12 |
| 67G-42508-10 | 5 - 1 | | 9 - 8 | 63D-82361-00 | 14 - 16 | 90201-08M01 | 5 - 3 | | 6 - 6 | 97095-06016 | 3 - 19 |
| 692-42515-01 | 12 - 6 | | 16 - 8 | 6X4-82510-00 | 2 - 1 | | 14 - 5 | | 6 - 9 | | 4 - 20 |

NUMERICAL INDEX

| PART NO. | REF. NO. | PART NO. | REF. NO. | PART NO. | REF. NO. | PART NO. | REF. NO. | PART NO. | REF. NO. |
|-------------|----------|----------|----------|----------|----------|----------|----------|----------|----------|
| 97095-06016 | 14 - 14 | | | | | | | | |
| | 14 - 23 | | | | | | | | |
| 97095-06030 | 1 - 33 | | | | | | | | |
| 97095-06035 | 14 - 18 | | | | | | | | |
| 97095-08025 | 5 - 12 | | | | | | | | |
| 97095-08040 | 1 - 31 | | | | | | | | |
| | 10 - 16 | | | | | | | | |
| 97095-08050 | 14 - 6 | | | | | | | | |
| 97780-60920 | 1 - 44 | | | | | | | | |
| | 10 - 14 | | | | | | | | |
| 97880-06016 | 2 - 8 | | | | | | | | |
| 97885-06016 | 1 - 48 | | | | | | | | |