



PARTS CATALOGUE

RIGGING-METER



1P601-10ME1

()

RIGGING-METER
PARTS CATALOGUE
©2015 by Yamaha Motor Co., Ltd.
1st edition, October 2015
All rights reserved.
Any reprinting or unauthorized use
without the written permission of
Yamaha Motor Co., Ltd.
is expressly prohibited.
Printed in Japan.

FOREWORD

This Parts Catalogue is related to the parts for the model(s) on the cover page. When you are ordering replacement parts, please refer to this Parts Catalogue and quote both part numbers and part names correctly.

1. Modifications or additions which have been made after the issue of the Parts Catalogue will be announced in the Parts News.

It is advisable that you make the necessary corrections to the Parts Catalogue according to the Parts News.

2. Abbreviations

The following abbreviations are used in this Parts Catalogue.

“UR” Use specified parts number.

“UN” Use as many as needed.

“AP” Alternate Parts

“LM” Locally Made (Parts need to be ordered locally)

“F#” Frame No. (Applicable machine No.)

“O/S” Over Size

3. The number of components for assembly

- Parts, which are to be supplied in an assembly, are listed with a dot (.) in front of the part name as shown below.
- The numeral appearing to the right of each component part indicates the quantity of parts for each assembly unit.

PART NO.	DESCRIPTION	Q'TY	REMARKS
2F5-83310-60	FRONT FLASHER LIGHT ASSY	2	
115-83311-60	.BULB (6V-18W)	1	

4. Applicable colours of graphics are represented in the “REMARKS” as shown below.

PART NO.	DESCRIPTION	Q'TY	REMARKS
2N4-24110-00-X5	FUEL TANK COMP.	2	MXR
3J1-24240-10	.GRAPHIC, FUEL TANK	1	FOR MXR

5. Note that the illustrations for reference in finding parts numbers are not to be used for assembling. When assembling, please use the applicable service manual.

6. The asterisk (*) before a reference number indicates modified items after the first edition.

CONTENTS

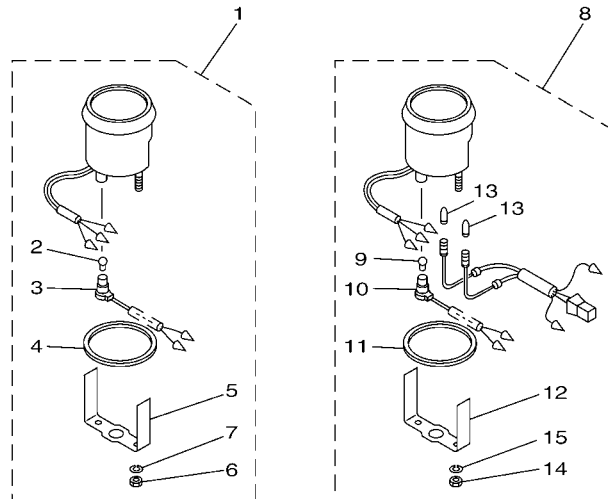
METER 1	1
METER 2	2
METER 3	3
METER 4	4
METER 5	5
METER 6	6
METER 7	7
METER 8	8
WIRE HARNESS 1	9
WIRE HARNESS 2	10
ELECTRICAL	11
DIGITAL NETWORK GAUGE 1	12
DIGITAL NETWORK GAUGE 2	13
DIGITAL NETWORK GAUGE 3	15
DIGITAL NETWORK GAUGE 4	16
DIGITAL NETWORK GAUGE 5	17
DIGITAL NETWORK GAUGE 6	18
DIGITAL NETWORK GAUGE 7	19
DIGITAL NETWORK GAUGE 8	20
DIGITAL NETWORK GAUGE 9	21
COMMAND LINK PLUS	22
6YC MULTIFUNCTION METER	23

INDEX

NUMERICAL INDEX	24
-----------------------	----

ANALOG TACHOMETER

Ref. No.	Description	Part No.	Applicable model
1	Without indicators BLK panel	6Y7-83540-20	Above 9.9 (Pre-mixed) FT8 (T8), F9.9 -F25 (FT/T25)
	Without indicators WHT panel	6Y7-83540-30	
8	With overheat & oil indicators BLK panel	6Y7-83540-80	Above 40 (3-cyl) w/ oil injection Above F30 [Mechanical RC]
	With overheat & oil indicators WHT panel	6Y7-83540-90	



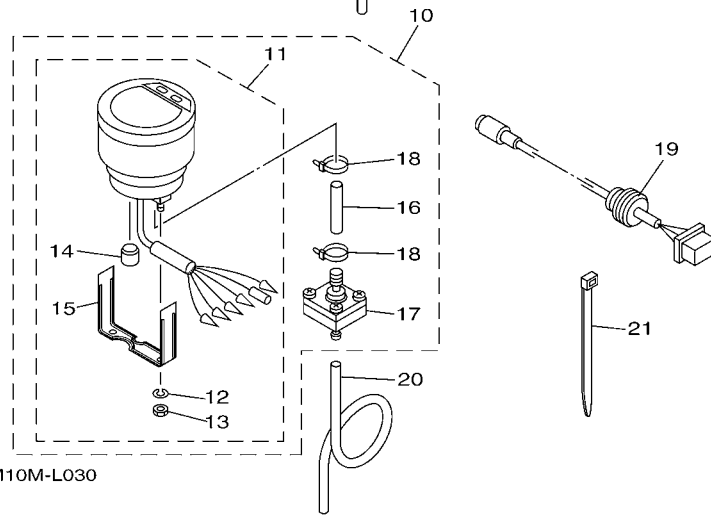
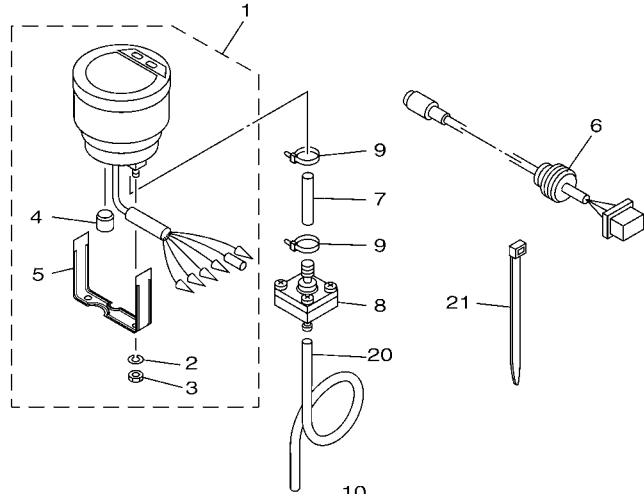
601M10M-P020

FIG. 2 METER 2

REF. NO.	PART NO.	DESCRIPTION	601M	REMARKS
1	6Y7-83540-20	TACHOMETER ASSY	1	UR WITHOUT OIL LAMP
	6Y7-83540-30	TACHOMETER ASSY	1	UR WITHOUT OIL LAMP
2	6Y5-83517-00	.BULB (T10, 12V-1.7W)	1	
3	6Y5-83536-40	.SOCKET, METER	1	FOR 6Y7-83540-20
	6Y5-83536-10	.SOCKET, METER	1	FOR 6Y7-83540-30
4	6Y5-83523-00	.DAMPER	1	
5	6Y5-83514-00	.PLATE, FITTING	1	
6	95380-05600	.NUT	2	
7	92990-05100	.WASHER, SPRING	2	
8	6Y7-83540-80	TACHOMETER ASSY	1	UR WITH OIL/TEMP LAMP
	6Y7-83540-90	TACHOMETER ASSY	1	UR WITH OIL/TEMP LAMP
9	6Y5-83517-00	.BULB (T10, 12V-1.7W)	1	
10	6Y5-83536-40	.SOCKET, METER	1	
11	6Y5-83523-00	.DAMPER	1	
12	6Y5-83514-00	.PLATE, FITTING	1	
13	6Y5-83518-00	.BULB (12V-1.7W T6.5)	2	
14	95380-05600	.NUT	2	
15	92990-05100	.WASHER, SPRING	2	

DIGITAL SPEEDOMETER

Ref. No.	Description	Part No.	Applicable model
1	Digital multifunction	6Y5-83570-S6	Above 40 (3-cyl) Above F30 [Mechanical RC]
10		6Y5-83500-30	For Yamaha manufactured boats (Japan)



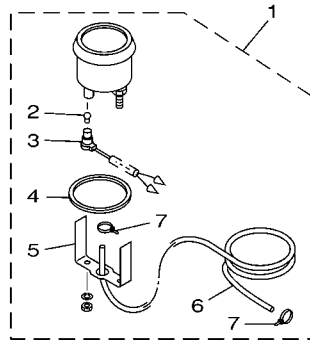
601M10M-L030

FIG. 3 METER 3

REF. NO.	PART NO.	DESCRIPTION	601M	REMARKS
1	6Y5-83570-S6	SPEEDOMETER ASSY	1	
2	92990-04100	.WASHER, SPRING	2	
3	95380-04600	.NUT	2	
4	6Y5-83533-T2	.GROMMET	1	
5	6Y5-8355X-T1	.BRACKET, METER 1	1	
6	6Y5-87122-S0	CORD ASSY 1	1	AP
7	6Y5-83557-31	TUBE	1	
8	6Y5-83728-00	CONNECTOR ASSY	1	
9	90465-11M10	CLAMP	2	
10	6Y5-83500-30	METER ASSY	1	
11	6Y5-83570-30	.SPEEDOMETER ASSY	1	
12	92990-04100	..WASHER, SPRING	2	
13	95380-04600	..NUT	2	
14	6Y5-83533-T2	..GROMMET	1	
15	6Y5-8355X-T1	..BRACKET, METER 1	1	
16	6Y5-83557-31	.TUBE	1	
17	6Y5-83728-00	.CONNECTOR ASSY	1	
18	90465-11M10	.CLAMP	2	
19	6Y5-87122-S0	CORD ASSY 1	1	AP
20	6Y5-83557-00	TUBE (6M)	1	
21	90465-11M10	CLAMP	2	

ANALOG SPEEDOMETER

Description	Part No.	Applicable model
Analog, BLK panel 0 - 75 mph (20 - 120 km/h)	6Y7-83510-00	Above 40 (3-cyl) Above F30 [Mechanical RC]
Analog, WHT panel 0 - 75 mph (20 - 120 km/h)	6Y7-83510-10	
Analog, BLK panel 0 - 50 mph (20 - 80 km/h)	6Y7-83510-20	
Analog, WHT panel 0 - 50 mph (20 - 80 km/h)	6Y7-83510-30	
Analog, BLK panel 0 - 120 km/h (15 - 65 knot)	6Y7-83510-40	
Analog, WHT panel 0 - 120 km/h (15 - 65 knot)	6Y7-83510-50	
Analog, BLK panel 0 - 80 km/h (10 - 43 knot)	6Y7-83510-60	
Analog, WHT panel 0 - 80 km/h (10 - 43 knot)	6Y7-83510-70	



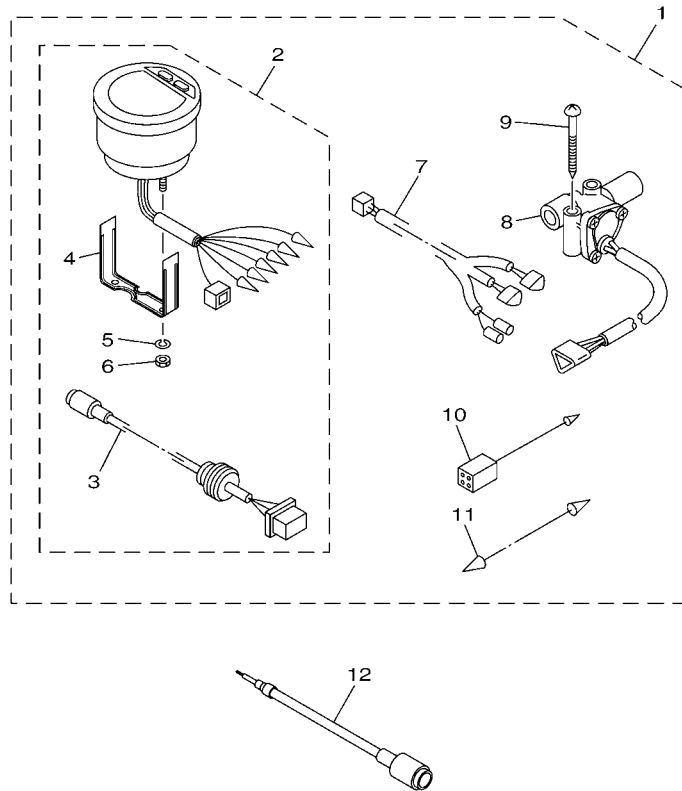
601M10M-K040

FIG. 4 METER 4

REF. NO.	PART NO.	DESCRIPTION	601M				REMARKS
1	6Y7-83510-00	SPEEDOMETER ASSY (75MPH)	1				UR
	6Y7-83510-10	SPEEDOMETER ASSY (75MPH)	1				UR
	6Y7-83510-20	SPEEDOMETER ASSY (50MPH)	1				UR
	6Y7-83510-30	SPEEDOMETER ASSY (50MPH)	1				UR
	6Y7-83510-40	SPEEDOMETER ASSY (120KM/H)	1				UR
	6Y7-83510-50	SPEEDOMETER ASSY (120KM/H)	1				UR
	6Y7-83510-60	SPEEDOMETER ASSY (80KM/H)	1				UR
	6Y7-83510-70	SPEEDOMETER ASSY (80KM/H)	1				UR
2	6Y5-83517-00	.BULB (T10, 12V-1.7W)	1				
3	6Y5-83536-40	.SOCKET, METER	1				
4	6Y5-83523-00	.DAMPER	1				
5	6Y5-83514-00	.PLATE, FITTING	1				
6	688-83557-00	.TUBE	1				
7	90465-11M10	.CLAMP	2				

FUEL MANAGEMENT GAUGE

Ref. No.	Description	Part No.	Applicable model
1	Fuel mgt gauge kit 1 For single-engine	6Y5-W0088-54	Above 115
	Fuel mgt gauge kit 2 For twin-engine	6Y5-W0088-65	Above F115 [Mechanical RC]



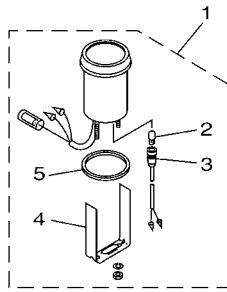
601M10M-P050

FIG. 5 METER 5

REF. NO.	PART NO.	DESCRIPTION	601M				REMARKS
1	6Y5-W0088-54	DIGITAL FUEL METER KIT(SINGLE)	1				UR
	6Y5-W0088-65	DIGITAL FUEL METER KIT (TWIN)	1				UR
2	6Y5-8350F-01	.FUEL MANAGEMENT METER	1				
3	6Y5-87122-S0	..CORD ASSY 1	1				
4	6Y5-8355X-T1	..BRACKET, METER 1	1				
5	92990-04100	..WASHER, SPRING	2				
6	95380-04600	..NUT	2				
7	6Y5-83553-F1	.WIRE, LEAD (L=8.0M)	1				
8	6Y5-85752-02	.SENDER UNIT ASSY, FUEL METER	1				FOR 6Y5-W0088-54
	6Y5-85752-02	.SENDER UNIT ASSY, FUEL METER	2				FOR 6Y5-W0088-65
9	90158-06003	.SCREW, WOOD	2				FOR 6Y5-W0088-54
	90158-06003	.SCREW, WOOD	4				FOR 6Y5-W0088-65
10	6Y5-82117-00	.WIRE, LEAD (BLACK) (L300)	1				
11	703-82531-00	.WIRE, LEAD (L70)	1				
12	6Y5-85721-F0	WIRE, LEAD	1				AP

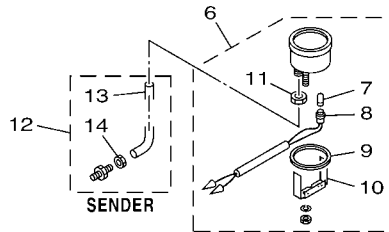
ANALOG TRIM METER

Description	Part No.	Applicable model
4-pin coupler BLK panel	6Y7-83670-00	Above 40 (3-cyl) (Pre-mixed)
Bullet connector BLK panel	6Y7-83670-40	Above 40 (3-cyl) w/ oil injection & PTT, Above F30 w/ PTT [Mechanical RC], T25 (NOA) Use as a set with tachometer, 6Y7-83540-80
4-pin coupler WHT panel	6Y7-83670-20	Pre-mixed w/ PTT
Bullet connector WHT panel	6Y7-83670-50	Above 40 (3-cyl) w/ oil injection & PTT, Above F30 w/ PTT [Mechanical RC], T25 (NOA) Using as a set with tachometer, 6Y7-83540-90



COOLANT PRESSURE METER

Description	Part No.	Applicable model
kPa, Black panel	6Y7-83660-00	Above 40 [3-cyl]
kPa, White panel	6Y7-83660-20	
psi, Black panel	6Y7-83660-10	Above F25 (FT/T25) [Mechanical RC]
psi, White panel	6Y7-83660-30	



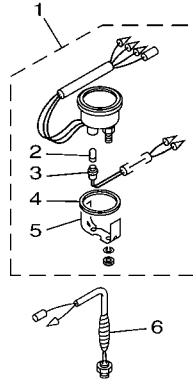
601M10M-P060

FIG. 6 METER 6

REF. NO.	PART NO.	DESCRIPTION	601M				REMARKS
1	6Y7-83670-00	TRIM METER ASSY.	1				UR
	6Y7-83670-40	TRIM METER ASSY.	1				UR
	6Y7-83670-20	TRIM METER ASSY.	1				UR
	6Y7-83670-50	TRIM METER ASSY.	1				UR
2	6Y5-83518-00	.BULB (12V-1.7W T6.5)	1				
3	6Y5-83536-00	.SOCKET, METER	1				
4	6Y5-83544-00	.PLATE, FITTING	1				
5	688-83664-00	.DAMPER	1				
6	6Y7-83660-00	WATER PRESSURE METER ASSY	1				UR
	6Y7-83660-20	WATER PRESSURE METER ASSY	1				UR
	6Y7-83660-10	WATER PRESSURE METER ASSY	1				UR
	6Y7-83660-30	WATER PRESSURE METER ASSY	1				UR
7	6Y5-83518-00	.BULB (12V-1.7W T6.5)	1				
8	6Y5-83536-00	.SOCKET, METER	1				
9	688-83664-00	.DAMPER	1				
10	688-83665-00	.PLATE, FITTING	1				
11	663-83668-00	.NUT, NIPPLE	1				
12	688-83667-00	SENDER	1				
13	688-83666-00	.TUBE	1				
14	663-83668-00	.NUT, NIPPLE	1				

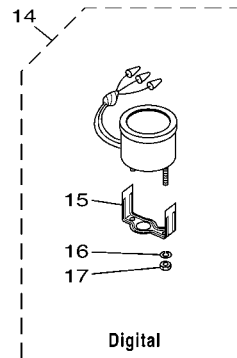
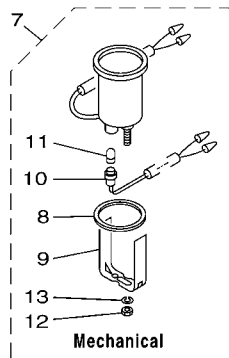
COOLANT TEMP. METER

Description	Part No.	Applicable model
Black panel	6Y7-83590-00	Above 40 [3-cylinder]
White panel	6Y7-83590-10	Above F25 (FT/T25) [Mechanical RC]



HOUR METER

Ref. No.	Description	Part No.	Applicable model
7	Mechanical	6Y5-83504-01	All electrical start models
14	Digital, Black panel	6Y7-83504-00	
	Digital, White panel	6Y7-83504-10	



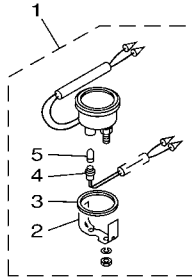
601M10M-K070

FIG. 7 METER 7

REF. NO.	PART NO.	DESCRIPTION	601M				REMARKS
1	6Y7-83590-00	WATER TEMPERATURE ASSY	1				UR
	6Y7-83590-10	WATER TEMPERATURE ASSY	1				UR
2	6Y5-83518-00	.BULB (12V-1.7W T6.5)	1				
3	6Y5-83536-00	.SOCKET, METER	1				
4	688-83664-00	.DAMPER	1				
5	6Y5-83544-00	.PLATE, FITTING	1				
6	688-83591-00	THERMO UNIT	1				
7	6Y5-83504-01	HOUR METER ASSY	1				
8	688-83664-00	.DAMPER	1				
9	6Y5-83577-00	.PLATE, FITTING	1				
10	6Y5-83536-00	.SOCKET, METER	1				
11	6Y5-83518-00	.BULB (12V-1.7W T6.5)	1				
12	95303-04600	.NUT	2				
13	92990-04100	.WASHER, SPRING	2				
14	6Y7-83504-00	HOUR METER ASSY	1				UR
	6Y7-83504-10	HOUR METER ASSY	1				UR
15	6Y5-8355X-H0	.BRACKET, METER 1	1				
16	92990-04100	.WASHER, SPRING	2				
17	95380-04600	.NUT	2				

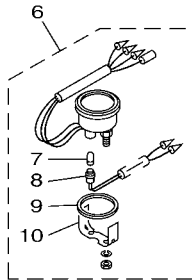
VOLTAGE METER

Description	Part No.	Applicable model
DC 12 volt power supply Black panel	6Y7-83503-00	All electrical start models
DC 12 volt power supply White panel	6Y7-83503-10	



FUEL METER

Description	Part No.	Applicable model
For Yamaha sensor (5 – 105Ω) Black panel	6Y7-85750-00	All electrical start models
For ABYC sensor (30 – 240Ω) Black panel	6Y7-85750-10	
For Yamaha sensor (5 – 105Ω) White panel	6Y7-85750-20	
For ABYC sensor (30 – 240Ω) White panel	6Y7-85750-30	

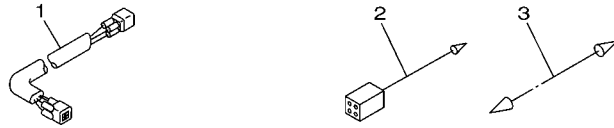


601M10M-P080

FIG. 8 METER 8

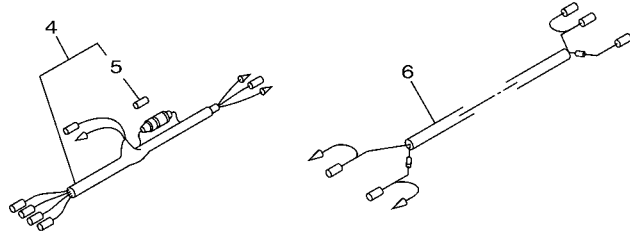
REF. NO.	PART NO.	DESCRIPTION	601M				REMARKS
1	6Y7-83503-00	VOLTMETER ASSY	1				UR
	6Y7-83503-10	VOLTMETER ASSY	1				UR
2	6Y5-83544-00	.PLATE, FITTING	1				
3	688-83664-00	.DAMPER	1				
4	6Y5-83536-00	.SOCKET, METER	1				
5	6Y5-83518-00	.BULB (12V-1.7W T6.5)	1				
6	6Y7-85750-00	FUEL METER ASSY	1				UR
	6Y7-85750-10	FUEL METER ASSY	1				UR
	6Y7-85750-20	FUEL METER ASSY	1				UR
	6Y7-85750-30	FUEL METER ASSY	1				UR
7	6Y5-83518-00	.BULB (12V-1.7W T6.5)	1				
8	6Y5-83536-00	.SOCKET, METER	1				
9	688-83664-00	.DAMPER	1				
10	6Y5-83544-00	.PLATE, FITTING	1				

REMOTE-OIL TANK HARNESS ACCESSORY LEAD



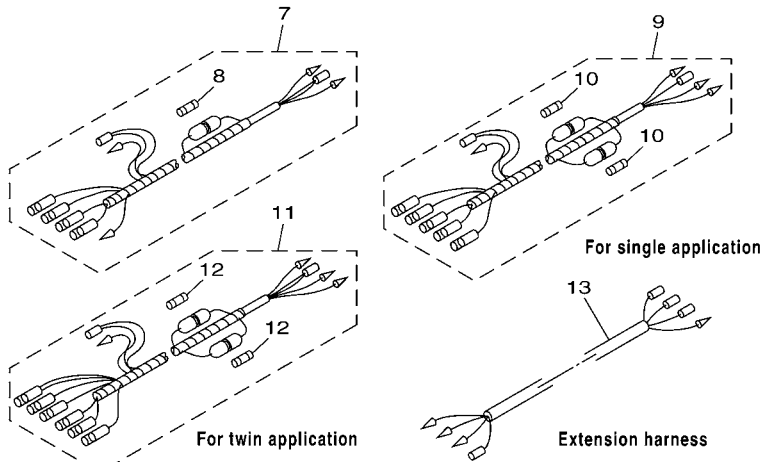
For V4, V6 oil injection model

METER HARNESS (For analog meter)



For pre-mixed model

METER HARNESS (For digital meter)



For twin application

For single application

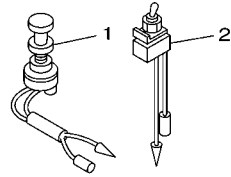
Extension harness

601M10M-J090

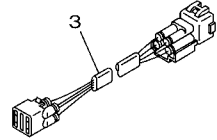
FIG. 9 WIRE HARNESS 1

REF. NO.	PART NO.	DESCRIPTION	601M				REMARKS
1	6R3-85721-30	WIRE, LEAD (L=3.0M)	1				UR (4P)
	6R3-85721-50	WIRE, LEAD (L=5.0M)	1				UR (4P)
	6R3-85721-80	WIRE, LEAD (L=8.0M)	1				UR (4P)
2	6Y5-82149-00	WIRE, LEAD (BLUE) (L300)	1				UR
	6Y5-82117-00	WIRE, LEAD (BLACK) (L300)	1				UR
3	703-82531-00	WIRE, LEAD (L=70)	1				L/H MODEL
4	6Y5-83553-00	WIRE, LEAD (L=2.5M)	1				
5	1E6-82151-00	.FUSE (10A)	1				
6	6Y5-83553-10	WIRE, LEAD (L=5.0M)	1				
7	6Y5-83553-20	WIRE, LEAD (L=2.5M)	1				L/H MODEL
8	1E6-82151-00	.FUSE (10A)	1				
9	6Y5-83553-M0	WIRE, LEAD (L=2.5M)	1				
10	1E6-82151-00	.FUSE (10A)	2				
11	6Y5-83553-N0	WIRE, LEAD (L=2.5M)	1				
12	1E6-82151-00	.FUSE (10A)	2				
13	6Y5-8356N-00	WIRE, LEAD (L=1.5M)	1				

LAMP SWITCH

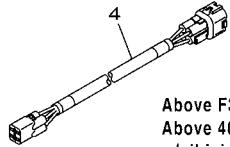


TRIM METER LEAD



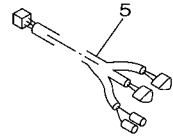
Premixed models W/PTT
(Flat type harness)

TRIM AND OIL LEAD

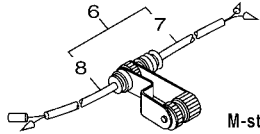


Above F30(Mechanical RC)
Above 40(3-cyl)
w/oil injection
(Unified 4-pin coupler)

FUEL MANAGEMENT GAUGE HARNESS

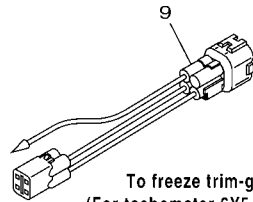


LIGHTING COIL EXTENSION HARNESS



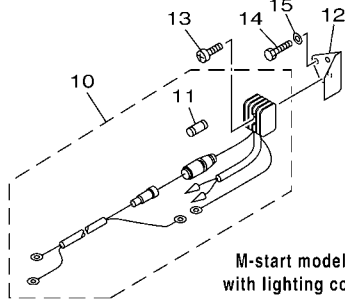
M-start model
with lighting coil

CONVERSION HARNESS 1



To freeze trim-gauge
(For tachometer 6Y5-8350T-91)
for hydro-tilt model

RECTIFIER KIT



M-start model
with lighting coil

601M10M-P100

FIG. 10 WIRE HARNESS 2

REF. NO.	PART NO.	DESCRIPTION	601M				REMARKS
1	688-82520-00	LIGHT SWITCH ASSY	1				
2	688-82526-00	SWITCH, LAMP	1				
3	6R3-82553-30	EXTENSION, WIRE LEAD (L=3.0M)	1				UR (4P)
	6R3-82553-50	EXTENSION, WIRE LEAD (L=5.0M)	1				UR (4P)
	6R3-82553-70	EXTENSION, WIRE LEAD (L=7.0M)	1				UR (4P)
	6R3-82553-80	EXTENSION, WIRE LEAD (L=8.0M)	1				UR (4P)
	6R3-82553-90	EXTENSION, WIRE LEAD (L=9.0M)	1				UR (4P)
4	6Y5-83653-00	WIRE, LEAD (L=5.0M)	1				UR 4P,5M
	6Y5-83653-10	WIRE, LEAD (L=6.0M)	1				UR 4P,6M
	6Y5-83653-20	WIRE, LEAD (L=7.0M)	1				UR 4P,7M
	6Y5-83653-30	WIRE, LEAD (L=8.0M)	1				UR 4P,8M
	6Y5-83653-40	WIRE, LEAD (L=9.0M)	1				UR 4P,9M
	6Y5-83653-50	WIRE, LEAD (L=10.5M)	1				UR 4P,10.5M
5	6Y5-83553-F1	WIRE, LEAD (L=8.0M)	1				
6	682-84380-00	CONCENT 2P	1				
7	682-84381-00	.2P CONCENT	1				
8	682-84382-00	.2P CONCENT	1				
9	6Y5-8350U-10	WIRE, LEAD	1				
10	676-81970-01	RECTIFIER ASSY	1				
11	663-82151-00	.FUSE (12V-20A)	1				
12	*	PLATE, RECTIFIER FITTING	1				LM
13	97880-05025	SCREW, PAN HEAD	1				
14	97013-06010	BOLT	2				
15	92903-06600	WASHER, PLATE	2				

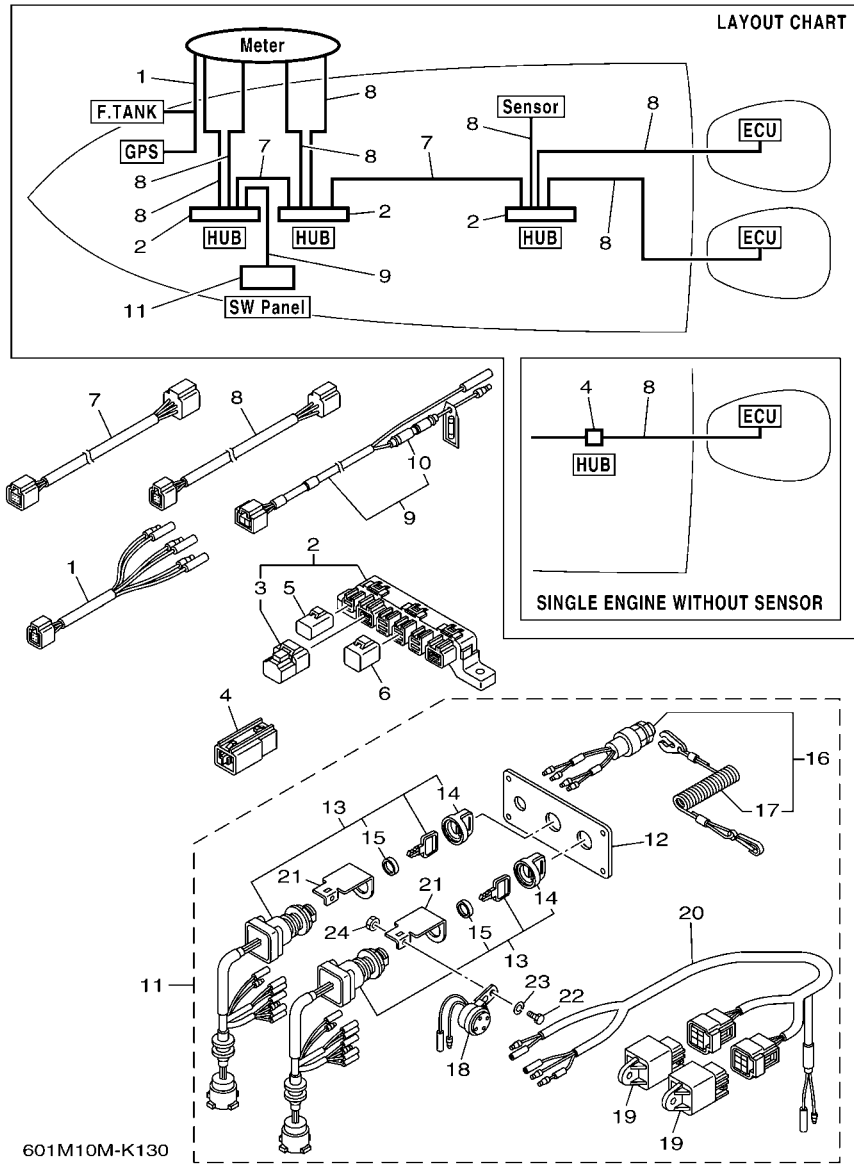
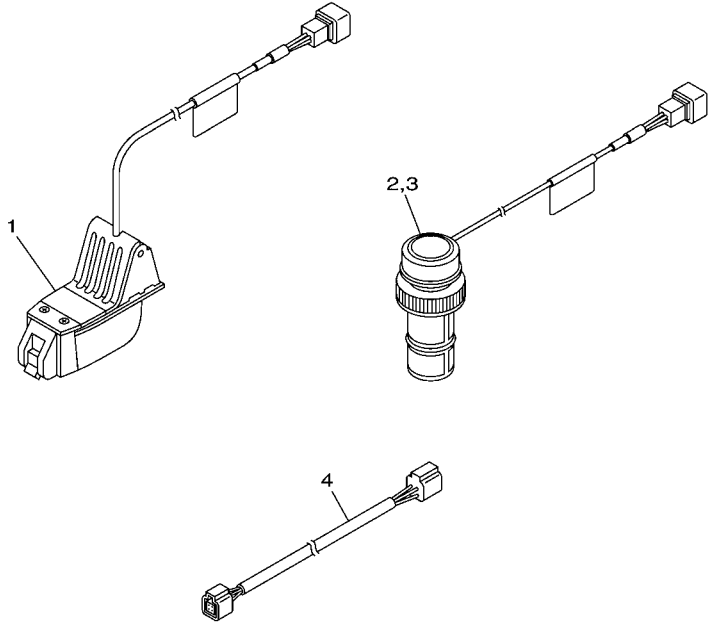
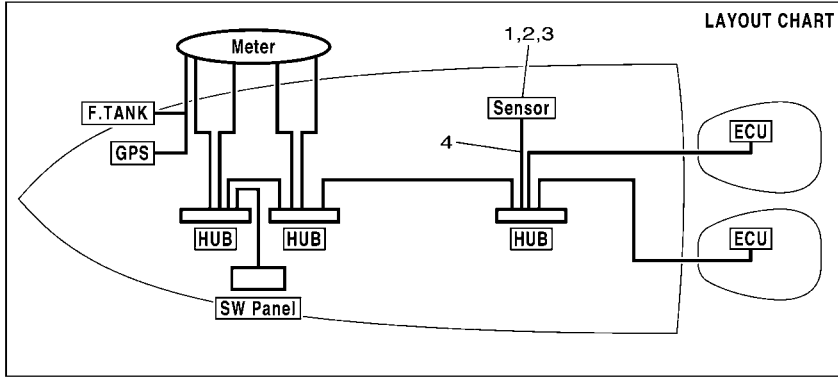


FIG. 13 DIGITAL NETWORK GAUGE 2

REF. NO.	PART NO.	DESCRIPTION	601M				REMARKS
1	6Y8-8356N-01	LEAD, FUEL TANK & GPS SENDER	1				
2	6Y8-81920-01	MULTI HUB ASSY	1				UN
3	6Y8-85371-01	.END OF LINE RESISTER	1				
4	6Y8-81920-11	IN-LINE HUB ASSY	1				
5	6Y8-82582-01	CAP 1 (2PIN)	1				UN
6	6Y8-82582-11	CAP 1 (4PIN)	1				UN
7	6Y8-82553-01	1FT MAIN BUS	1				UR
	6Y8-82553-11	15FT MAIN BUS	1				UR
	6Y8-82553-21	20FT MAIN BUS	1				UR
	6Y8-82553-31	25FT MAIN BUS	1				UR
	6Y8-82553-41	30FT MAIN BUS	1				UR
	6Y8-82553-50	10FT MAIN BUS	1				UR
8	6Y8-82521-01	1FT PIGTAIL BUS	1				UR
	6Y8-82521-11	2FT PIGTAIL BUS	1				UR
	6Y8-82521-21	3FT PIGTAIL BUS	1				UR
	6Y8-82521-31	6FT PIGTAIL BUS	1				UR
	6Y8-82521-41	9FT PIGTAIL BUS	1				UR
	6Y8-82521-51	12FT PIGTAIL BUS	1				UR
9	6Y8-83553-01	8FT POWER WIRE	1				
10	6G1-82151-00	.FUSE (10A)	1				
11	6Y8-82570-04	PANEL SWITCH ASSY	1				
12	6Y8-82571-01	.PLATE, PANEL SWITCH	1				
13	6Y8-82510-03	.MAIN SWITCH ASSY	2				
14	676-82577-01	..CAP, KEY	1				
15	703-82532-00	..CAP	1				
16	6K1-82575-01	.ENGINE STOP SWITCH ASSY	1				
17	682-82556-00	..LANYARD, STOP SWITCH	1				



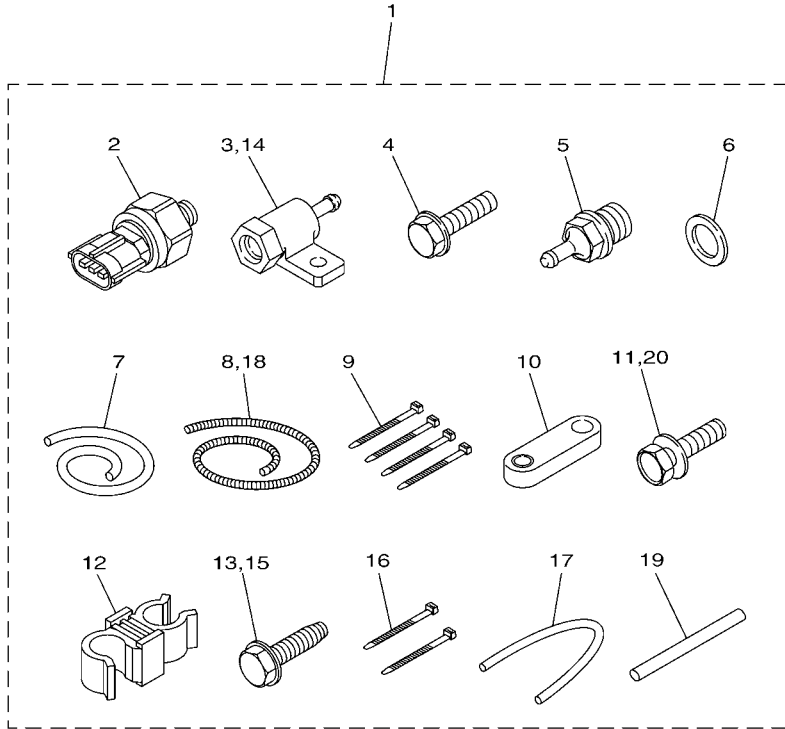
6Y82110-E030

FIG. 14 DIGITAL NETWORK GAUGE 3

REF. NO.	PART NO.	DESCRIPTION	601M		REMARKS
1	6Y8-83688-01	TRANSOM MOUNT TRIDUCER	1		
2	6Y8-83688-11	PLASTIC THRU-HULL TRIDUCER	1		PLASTIC BODY
3	6Y8-83688-20	BRONZE THRU-HULL TRIDUCER	1		BRONZE BODY
4	6Y8-82521-01	1FT PIGTAIL BUS	1		UR
	6Y8-82521-11	2FT PIGTAIL BUS	1		UR
	6Y8-82521-21	3FT PIGTAIL BUS	1		UR
	6Y8-82521-31	6FT PIGTAIL BUS	1		UR
	6Y8-82521-41	9FT PIGTAIL BUS	1		UR
	6Y8-82521-51	12FT PIGTAIL BUS	1		UR

Speed / Cooling water pressure sensor

Part No.	Remarks
60V-8A4L2-03	F115A, F115B, F115C, F130A



601M10M-P190

FIG. 19 DIGITAL NETWORK GAUGE 8

REF. NO.	PART NO.	DESCRIPTION	601M				REMARKS
1	60V-8A4L2-03	SENSOR, MODULE 2	1				
2	6AW-8366B-01	.SENSOR, WATER PRESSURE	2				
3	60V-8366D-00	.ADAPTOR, INPUT	1				
4	95895-06025	.BOLT, FLANGE	1				
5	60V-83667-00	.SENDER, WATER PRESSURE	1				
6	90430-14115	.GASKET	1				
7	90445-07018	.HOSE (L1400)	1				
8	90447-07015	.HOSE, COVER (L: 1300MM)	1				
9	90465-11M10	.CLAMP	4				
10	60V-8257V-00	.PLATE, CONNECTOR	1				
11	97595-06516	.BOLT, WITH WASHER	1				
12	90464-09021	.CLAMP	1				
13	90109-06M81	.BOLT	1				
14	60V-8366D-00	.ADAPTOR, INPUT	1				
15	90109-06M81	.BOLT	1				
16	90465-11M10	.CLAMP	2				
17	90445-07017	.HOSE (L: 550MM)	1				
18	90447-07013	.HOSE, COVER (L: 700MM)	1				
19	60V-42629-00	.SEAL	1				
20	97595-06516	.BOLT, WITH WASHER	1				

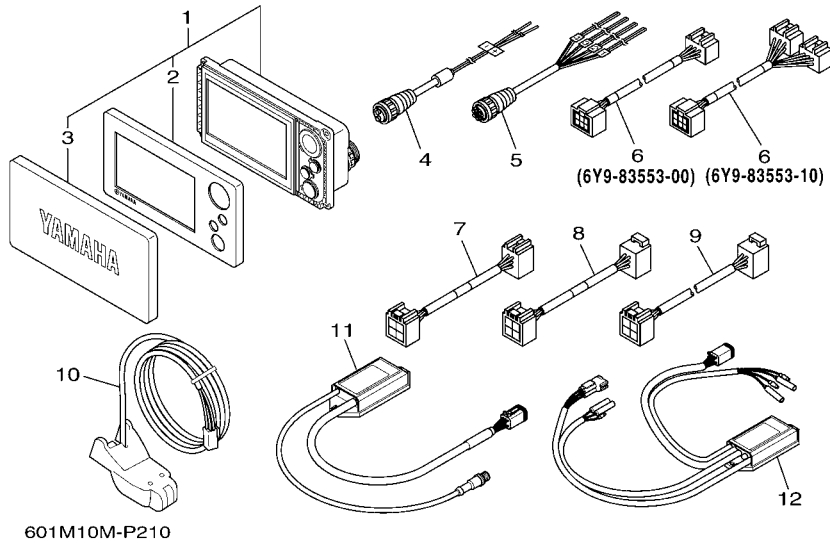
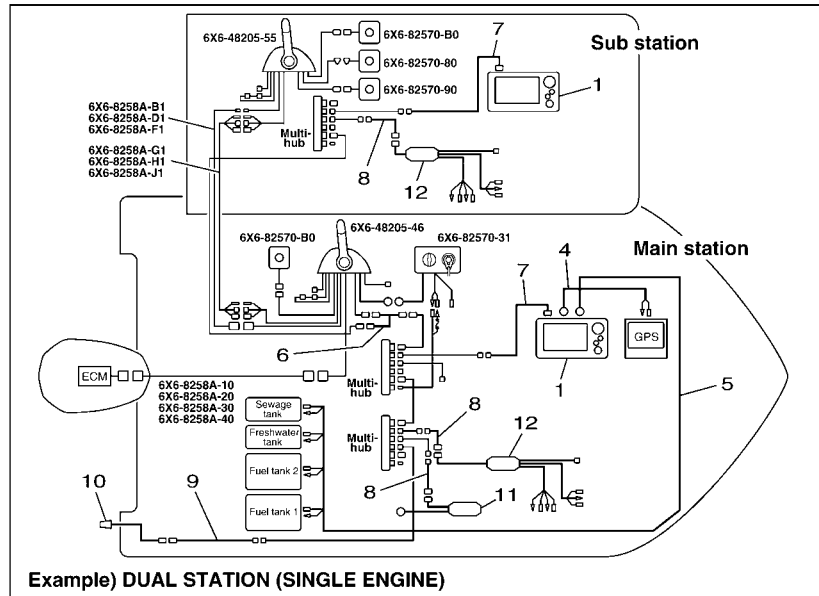
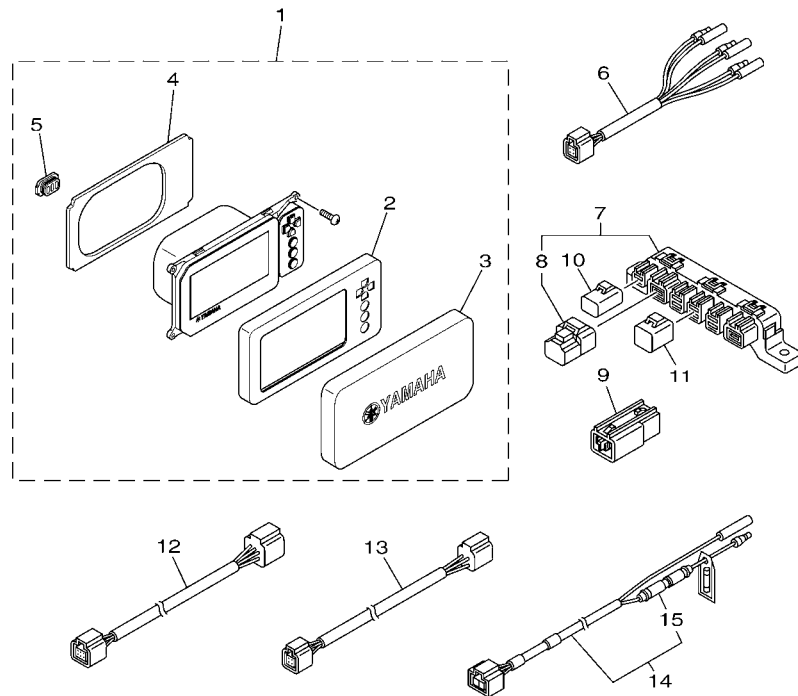
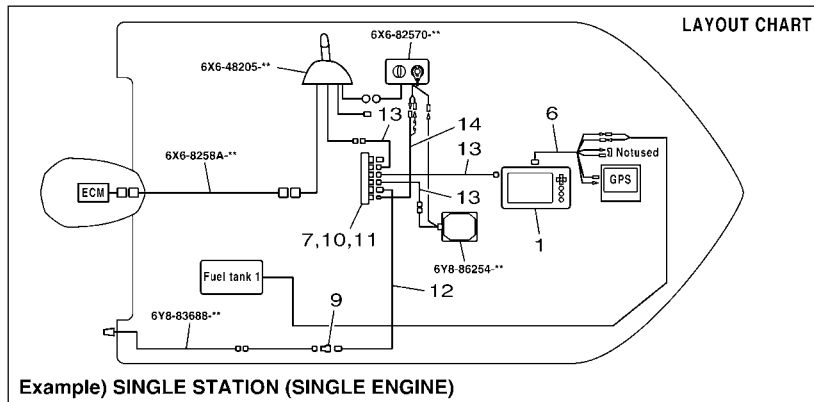


FIG. 21 COMMAND LINK PLUS

REF. NO.	PART NO.	DESCRIPTION	601M				REMARKS
1	6Y9-83710-11	MULTI DISPLAY ASSY	1				UN
2	6Y9-83512-00	.COVER, FRONT	1				
3	6Y9-87278-00	.COVER, METER	1				
4	6Y9-8356N-01	WIRE, LEAD	1				FOR GPS
5	6Y9-8356N-10	WIRE, LEAD	1				FOR TANKS
6	6Y9-83553-00	WIRE, LEAD	1				UR 1 STATION
	6Y9-83553-10	WIRE, LEAD	1				UR 2 STATION
7	6Y9-83553-40	WIRE, LEAD	1				FOR MULTI DISPLAY
8	6Y9-83553-50	WIRE, LEAD	1				FOR INTERFACE UNIT
9	6Y9-83553-60	WIRE, LEAD	1				FOR SENSOR ASSY
10	6Y9-83688-00	SENSOR ASSY	1				
11	6Y9-8A2D0-20	INTERFACE UNIT	1				GATEWAY
12	6Y9-8A2D0-30	INTERFACE UNIT	1				ANALOGUE GAUGE



601M10M-P220

FIG. 22 6YC MULTIFUNCTION METER

REF. NO.	PART NO.	DESCRIPTION	601M				REMARKS
1	6YC-83710-00	MULTI DISPLAY ASSY	1				
2	6YC-83512-00	.RING, SPEED METER	1				
3	6YC-87278-00	.COVER, METER	1				
4	6YC-12223-00	.SEAL	1				
5	6YC-82532-00	.CAP	1				
6	6Y8-8356N-01	LEAD, FUEL TANK & GPS SENDER	1				
7	6Y8-81920-01	MULTI HUB ASSY	1				
8	6Y8-85371-01	.END OF LINE RESISTER	1				
9	6Y8-81920-11	IN-LINE HUB ASSY	1				
10	6Y8-82582-01	CAP 1 (2PIN)	1				
11	6Y8-82582-11	CAP 1 (4PIN)	1				
12	6Y8-82553-01	1FT MAIN BUS	1				UR
	6Y8-82553-11	15FT MAIN BUS	1				UR
	6Y8-82553-21	20FT MAIN BUS	1				UR
	6Y8-82553-31	25FT MAIN BUS	1				UR
	6Y8-82553-41	30FT MAIN BUS	1				UR
	6Y8-82553-50	10FT MAIN BUS	1				UR
13	6Y8-82521-01	1FT PIGTAIL BUS	1				UR
	6Y8-82521-11	2FT PIGTAIL BUS	1				UR
	6Y8-82521-21	3FT PIGTAIL BUS	1				UR
	6Y8-82521-31	6FT PIGTAIL BUS	1				UR
	6Y8-82521-41	9FT PIGTAIL BUS	1				UR
	6Y8-82521-51	12FT PIGTAIL BUS	1				UR
14	6Y8-83553-01	8FT POWER WIRE	1				
15	6G1-82151-00	.FUSE (10A)	1				

NUMERICAL INDEX

PART NO.	REF. NO.	PART NO.	REF. NO.	PART NO.	REF. NO.	PART NO.	REF. NO.	PART NO.	REF. NO.	PART NO.	REF. NO.
6YC-12223-00	22 - 4	703-82531-00	9 - 3	6Y7-83510-40	4 - 1	6Y9-83553-10	21 - 6	60V-83667-00	15 - 4	6Y5-87122-S0	5 - 3
6H4-24311-00	20 - 6	6YC-82532-00	22 - 5	6Y7-83510-50	4 - 1	6Y5-83553-20	9 - 7		19 - 5	6Y9-87278-00	21 - 3
60V-42629-00	17 - 8	703-82532-00	13 - 15	6Y7-83510-60	4 - 1	6Y9-83553-40	21 - 7	688-83667-00	6 - 12	6YC-87278-00	22 - 3
	19 - 19	6Y8-82553-01	13 - 7	6Y7-83510-70	4 - 1	6Y9-83553-50	21 - 8	663-83668-00	6 - 11	6Y9-8A2D0-20	21 - 11
6H5-81315-00	11 - 3		22 - 12	6Y9-83512-00	21 - 2	6Y9-83553-60	21 - 9		6 - 14	6Y9-8A2D0-30	21 - 12
697-81901-60	11 - 1	6Y8-82553-11	13 - 7	6YC-83512-00	22 - 2	6Y5-83553-F1	5 - 7	6AW-8366B-01	15 - 9	63P-8A4L0-03	16 - 1
6Y8-81920-01	13 - 2		22 - 12	6Y5-83514-00	2 - 5		10 - 5		16 - 2	60V-8A4L0-15	15 - 1
	22 - 7	6Y8-82553-21	13 - 7		2 - 12	6Y5-83553-M0	9 - 9		17 - 2	69J-8A4L0-23	16 - 1
6Y8-81920-11	13 - 4		22 - 12		4 - 5	6Y5-83553-N0	9 - 11		18 - 8	6AW-8A4L1-04	18 - 1
	22 - 9	6R3-82553-30	10 - 3	6Y8-83514-00	12 - 3	688-83557-00	4 - 6		19 - 2	60V-8A4L1-14	17 - 1
6CE-81949-00	11 - 4	6Y8-82553-31	13 - 7	6Y5-83517-00	2 - 2	6Y5-83557-00	3 - 20	63P-8366C-00	16 - 3	60V-8A4L2-03	19 - 1
68F-81949-02	11 - 4		22 - 12		2 - 9	6Y5-83557-31	3 - 7	69J-8366C-00	16 - 3	6Y5-W0088-54	5 - 1
69J-81949-02	11 - 4	6Y8-82553-41	13 - 7		4 - 2		3 - 16	60V-8366D-00	15 - 2	6Y5-W0088-65	5 - 1
68V-81950-00	13 - 19		22 - 12	6Y5-83518-00	2 - 13	6Y5-8355X-H0	7 - 15		17 - 3	90109-06M81	15 - 13
676-81970-01	10 - 10	6R3-82553-50	10 - 3		6 - 2	6Y5-8355X-T1	1 - 5		18 - 7		17 - 4
6Y5-82117-00	5 - 10	6Y8-82553-50	13 - 7		6 - 7		3 - 5		19 - 3		19 - 13
	9 - 2		22 - 12		7 - 2		3 - 15		19 - 14		19 - 15
6Y5-82149-00	9 - 2	6R3-82553-70	10 - 3		7 - 11		5 - 4	6Y7-83670-00	6 - 1	90158-06003	5 - 9
1E6-82151-00	9 - 5	6R3-82553-80	10 - 3		8 - 5	6Y5-8356N-00	9 - 13	6Y7-83670-20	6 - 1		5 - 9
	9 - 8	6R3-82553-90	10 - 3		8 - 7	6Y8-8356N-01	13 - 1	6Y7-83670-40	6 - 1	90340-14M06	20 - 2
	9 - 10	682-82556-00	13 - 17	6Y5-83523-00	2 - 4		22 - 6	6Y7-83670-50	6 - 1	90430-14115	15 - 5
	9 - 12	6Y8-82570-04	13 - 11		2 - 11	6Y9-8356N-01	21 - 4	6Y9-83688-00	21 - 10		16 - 4
663-82151-00	10 - 11	6Y8-82571-01	13 - 12		4 - 4	6Y9-8356N-10	21 - 5	6Y8-83688-01	14 - 1		19 - 6
6G1-82151-00	13 - 10	6K1-82575-01	13 - 16	6Y5-83533-T2	3 - 4	6Y5-83570-30	3 - 11	6Y8-83688-11	14 - 2		20 - 3
	22 - 15	676-82577-01	13 - 14		3 - 14	6Y5-83570-S6	3 - 1	6Y8-83688-20	14 - 3	90445-07017	17 - 6
6Y8-82507-00	13 - 20	60V-8257V-00	15 - 10	6Y5-83536-00	6 - 3	6Y5-83577-00	7 - 9	6YC-83710-00	22 - 1		19 - 17
6Y8-82510-03	13 - 13		19 - 10		6 - 8	6Y7-83590-00	7 - 1	6Y9-83710-11	21 - 1	90445-07018	15 - 6
688-82520-00	10 - 1	64D-82581-00	13 - 21		7 - 3	6Y7-83590-10	7 - 1	6P2-83728-00	20 - 1		18 - 5
6Y8-82521-01	13 - 8	6Y8-82582-01	13 - 5		7 - 10	688-83591-00	7 - 6	6Y5-83728-00	3 - 8		19 - 7
	14 - 4		22 - 10		8 - 4	6P2-83652-00	20 - 4		3 - 17	90447-07013	17 - 7
	22 - 13	6Y8-82582-11	13 - 6		8 - 8	6Y5-83653-00	10 - 4	663-84301-01	11 - 2		19 - 18
6Y8-82521-11	13 - 8		22 - 11	6Y5-83536-10	2 - 3	6Y5-83653-10	10 - 4	682-84380-00	10 - 6	90447-07015	15 - 7
	14 - 4	6R5-83383-00	13 - 18	6Y5-83536-40	2 - 3	6Y5-83653-20	10 - 4	682-84381-00	10 - 7		18 - 4
	22 - 13	6Y8-83500-20	12 - 2		2 - 10	6Y5-83653-30	10 - 4	682-84382-00	10 - 8		19 - 8
6Y8-82521-21	13 - 8	6Y5-83500-30	3 - 10		4 - 3	6Y5-83653-40	10 - 4	6Y8-85371-01	13 - 3	90464-09021	15 - 12
	14 - 4	6Y7-83503-00	8 - 1	6Y7-83540-20	2 - 1	6Y5-83653-50	10 - 4		22 - 8		19 - 12
	22 - 13	6Y7-83503-10	8 - 1	6Y7-83540-30	2 - 1	6Y7-83660-00	6 - 6	6R3-85721-30	9 - 1	90465-06M86	18 - 2
6Y8-82521-31	13 - 8	6Y7-83504-00	7 - 14	6Y7-83540-80	2 - 8	6Y7-83660-10	6 - 6	6R3-85721-50	9 - 1	90465-11M10	3 - 9
	14 - 4	6Y5-83504-01	7 - 7	6Y7-83540-90	2 - 8	6Y7-83660-20	6 - 6	6R3-85721-80	9 - 1		3 - 18
	22 - 13	6Y7-83504-10	7 - 14	6Y5-83544-00	6 - 4	6Y7-83660-30	6 - 6	6Y5-85721-F0	5 - 12		3 - 21
6Y8-82521-41	13 - 8	6Y5-8350F-01	5 - 2		7 - 5	688-83664-00	6 - 5	6Y7-85750-00	8 - 6		4 - 7
	14 - 4	6Y8-8350T-20	12 - 1		8 - 2		6 - 9	6Y7-85750-10	8 - 6		15 - 8
	22 - 13	6Y5-8350T-91	1 - 1		8 - 10		7 - 4	6Y7-85750-20	8 - 6		17 - 5
6Y8-82521-51	13 - 8	6Y5-8350U-10	10 - 9	6Y5-83553-00	9 - 4		7 - 8	6Y7-85750-30	8 - 6		19 - 9
	14 - 4	6Y7-83510-00	4 - 1	6Y9-83553-00	21 - 6		8 - 3	6Y5-85752-02	5 - 8		19 - 16
	22 - 13	6Y7-83510-10	4 - 1	6Y8-83553-01	13 - 9		8 - 9		5 - 8	90465-14M66	18 - 3
688-82526-00	10 - 2	6Y7-83510-20	4 - 1		22 - 14	688-83665-00	6 - 10	6Y5-87122-S0	3 - 6	90467-08M18	20 - 7
703-82531-00	5 - 11	6Y7-83510-30	4 - 1	6Y5-83553-10	9 - 6	688-83666-00	6 - 13		3 - 19	92903-05100	13 - 23

NUMERICAL INDEX

PART NO.	REF. NO.	PART NO.	REF. NO.	PART NO.	REF. NO.	PART NO.	REF. NO.	PART NO.	REF. NO.	PART NO.	REF. NO.
92903-06600	10 - 15										
92990-04100	1 - 3										
	3 - 2										
	3 - 12										
	5 - 5										
	7 - 13										
	7 - 16										
92990-05100	2 - 7										
	2 - 15										
95303-04600	7 - 12										
95303-05700	13 - 24										
95380-04600	1 - 4										
	3 - 3										
	3 - 13										
	5 - 6										
	7 - 17										
95380-05600	2 - 6										
	2 - 14										
95895-06025	15 - 3										
	19 - 4										
97003-05012	13 - 22										
97013-06010	10 - 14										
97595-06516	15 - 11										
	17 - 9										
	18 - 6										
	19 - 11										
	19 - 20										
97595-06530	20 - 5										
97880-05025	10 - 13										
9E450-04533	1 - 2										