



# PARTS CATALOGUE

# RIGGING-METER

---

RIGGING-METER  
PARTS CATALOGUE  
©2013 by Yamaha Motor Co., Ltd.  
1st edition, September 2013  
All rights reserved.  
Any reprinting or unauthorized use  
without the written permission of  
Yamaha Motor Co., Ltd.  
is expressly prohibited.  
Printed in Japan.

# FOREWORD

This Parts Catalogue is related to the parts for the model(s) on the cover page. When you are ordering replacement parts, please refer to this Parts Catalogue and quote both part numbers and part names correctly.

1. Modifications or additions which have been made after the issue of the Parts Catalogue will be announced in the Parts News.

It is advisable that you make the necessary corrections to the Parts Catalogue according to the Parts News.

2. Abbreviations

The following abbreviations are used in this Parts Catalogue.

“UR” Use specified parts number.

“UN” Use as many as needed.

“AP” Alternate Parts

“LM” Locally Made (Parts need to be ordered locally)

“F#” Frame No. (Applicable machine No.)

“O/S” Over Size

3. The number of components for assembly

- Parts, which are to be supplied in an assembly, are listed with a dot (.) in front of the part name as shown below.
- The numeral appearing to the right of each component part indicates the quantity of parts for each assembly unit.

PART NO.	DESCRIPTION	Q'TY	REMARKS
2F5-83310-60	FRONT FLASHER LIGHT ASSY	2	
115-83311-60	.BULB (6V-18W)	1	

4. Applicable colours of graphics are represented in the “REMARKS” as shown below.

PART NO.	DESCRIPTION	Q'TY	REMARKS
2N4-24110-00-X5	FUEL TANK COMP.	2	MXR
3J1-24240-10	.GRAPHIC, FUEL TANK	1	FOR MXR

5. Note that the illustrations for reference in finding parts numbers are not to be used for assembling. When assembling, please use the applicable service manual.

6. The asterisk (\*) before a reference number indicates modified items after the first edition.

# CONTENTS

METER 1 .....	1
METER 2 .....	2
METER 3 .....	4
METER 4 .....	5
METER 5 .....	6
METER 6 .....	7
METER 7 .....	8
METER 8 .....	9
WIRE HARNESS 1 .....	10
WIRE HARNESS 2 .....	11
ELECTRICAL .....	13
DIGITAL NETWORK GAUGE 1 .....	14
DIGITAL NETWORK GAUGE 2 .....	15
DIGITAL NETWORK GAUGE 3 .....	17
DIGITAL NETWORK GAUGE 4 .....	18
DIGITAL NETWORK GAUGE 5 .....	19
DIGITAL NETWORK GAUGE 6 .....	20
DIGITAL NETWORK GAUGE 7 .....	21
COMMAND LINK PLUS .....	22

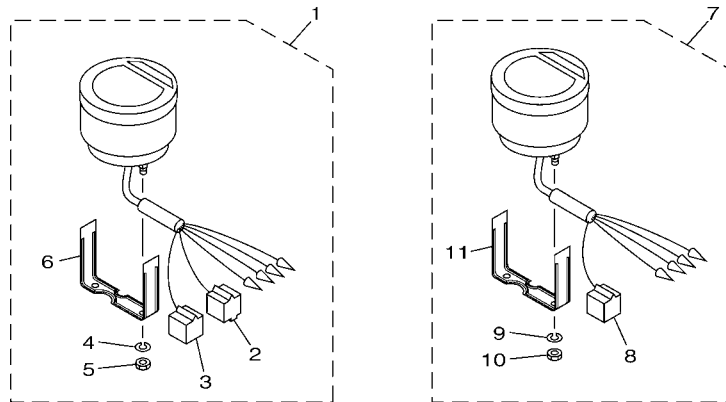
## INDEX

NUMERICAL INDEX .....	23
-----------------------	----

# DIGITAL TACHOMETER

Ref. No.	Description	Part No.	Applicable model
1	Multifunction	6Y5-8350T-04	250G,L250G
7	Multifunction w/o "Check engine" and "Water in fuel" indicators	6Y5-8350T-91	Above 40 (3-cyl) w/ oil injection & PTT (except 250G/L250G), Above F30 w/ PTT (*1)

(\*1) Mechanical RC



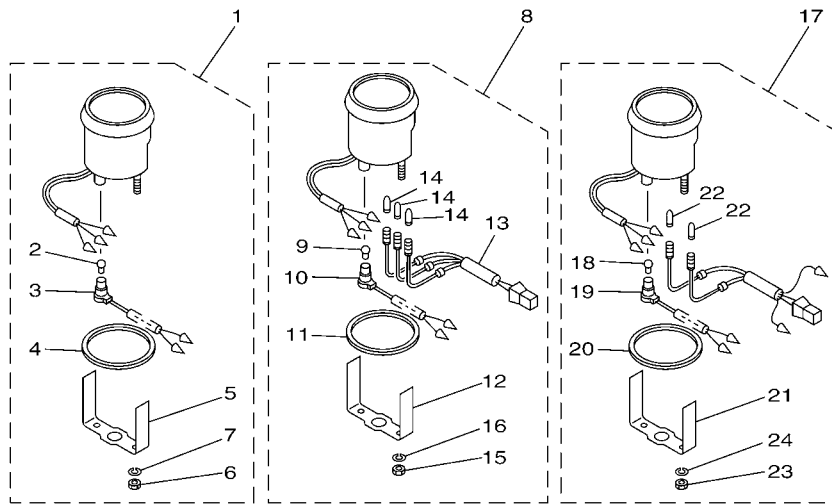
601M10M-L010

FIG. 1 METER 1

REF. NO.	PART NO.	DESCRIPTION	601M				REMARKS
1	6Y5-8350T-04	DIGITAL TACHOMETER ASSY	1				
2	9E450-04433	.CONNECTOR	1				M-4-W
3	9E450-04533	.CONNECTOR	1				F-4-W
4	92990-04100	.WASHER, SPRING	2				
5	95380-04600	.NUT	2				
6	6Y5-8355X-T1	.BRACKET, METER 1	1				
7	6Y5-8350T-91	DIGITAL TACHOMETER ASSY	1				
8	9E450-04533	.CONNECTOR	1				F-4-W
9	92990-04100	.WASHER, SPRING	2				
10	95380-04600	.NUT	2				
11	6Y5-8355X-T1	.BRACKET, METER 1	1				

# ANALOG TACHOMETER

Ref. No.	Description	Part No.	Applicable model
1	Without indicators BLK panel	6Y7-83540-20	Pre-mixed 9.9-225 FT8 (T8), F9.9 -F25 (FT/T25)
	Without indicators WHT panel	6Y7-83540-30	
8	With 3 oil indicators BLK panel	6Y7-83540-00	250G, L250G
	With 3 oil indicators WHT panel	6Y7-83540-10	
17	With overheat & oil indicators BLK panel	6Y7-83540-80	Above 40 (3-cyl) w/ oil injection (except 250G/ L250G)
	With overheat & oil indicators WHT panel	6Y7-83540-90	Above F30 [Mechanical RC]



601M10M-L020

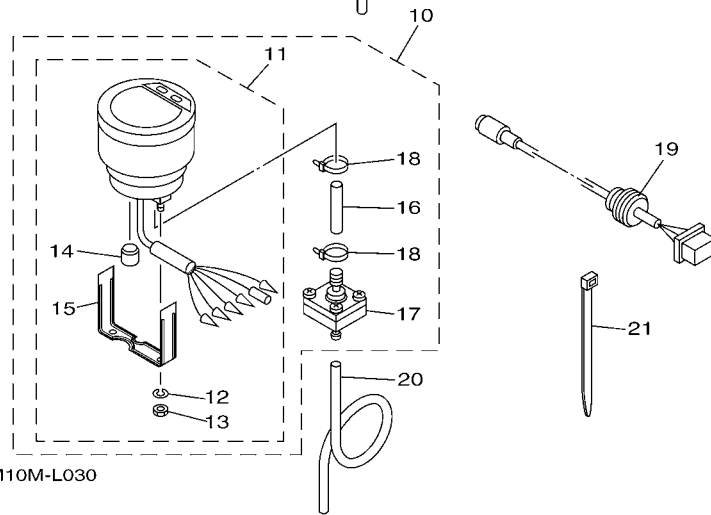
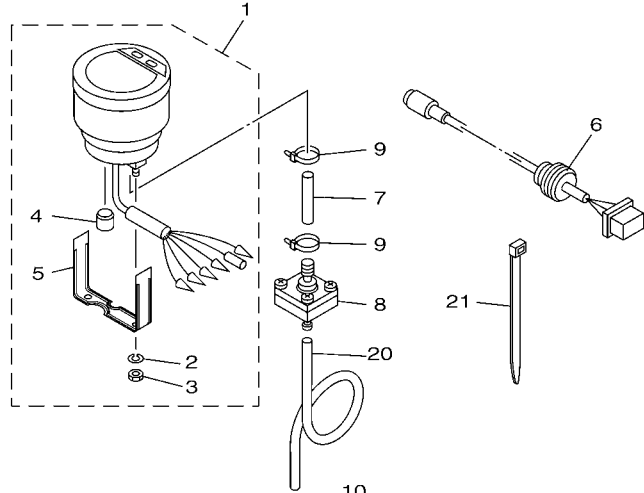
## FIG. 2 METER 2

REF. NO.	PART NO.	DESCRIPTION	601M	REMARKS
1	6Y7-83540-20	TACHOMETER ASSY	1	UR WITHOUT OIL LAMP
	6Y7-83540-30	TACHOMETER ASSY	1	UR WITHOUT OIL LAMP
2	6Y5-83517-00	.BULB (T10, 12V-1.7W)	1	
3	6Y5-83536-40	.SOCKET, METER	1	FOR 6Y7-83540-20
	6Y5-83536-10	.SOCKET, METER	1	FOR 6Y7-83540-30
4	6Y5-83523-00	.DAMPER	1	
5	6Y5-83514-00	.PLATE, FITTING	1	
6	95380-05600	.NUT	2	
7	92990-05100	.WASHER, SPRING	2	
8	6Y7-83540-00	TACHOMETER ASSY	1	UR WITH OIL LAMP
	6Y7-83540-10	TACHOMETER ASSY	1	UR WITH OIL LAMP
9	6Y5-83517-00	.BULB (T10, 12V-1.7W)	1	
10	6Y5-83536-40	.SOCKET, METER	1	
11	6Y5-83523-00	.DAMPER	1	
12	6Y5-83514-00	.PLATE, FITTING	1	
13	6Y5-83509-03	.SOCKET CORD ASSY	1	
14	6Y5-83518-00	.BULB (12V-1.7W T6.5)	3	
15	95303-05600	.NUT	2	
16	92903-05100	.WASHER, SPRING	2	
17	6Y7-83540-80	TACHOMETER ASSY	1	UR WITH OIL/TEMP LAMP
	6Y7-83540-90	TACHOMETER ASSY	1	UR WITH OIL/TEMP LAMP
18	6Y5-83517-00	.BULB (T10, 12V-1.7W)	1	
19	6Y5-83536-40	.SOCKET, METER	1	
20	6Y5-83523-00	.DAMPER	1	
21	6Y5-83514-00	.PLATE, FITTING	1	
22	6Y5-83518-00	.BULB (12V-1.7W T6.5)	2	
23	95380-05600	.NUT	2	



# DIGITAL SPEEDOMETER

Ref. No.	Description	Part No.	Applicable model
1	Digital multifunction	6Y5-83570-S6	Above 40 (3-cyl) Above F30 [Mechanical RC]
10		6Y5-83500-30	For Yamaha manufactured boats (Japan)



601M10M-L030

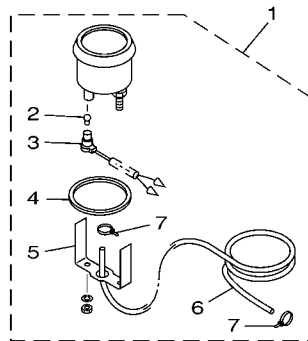
FIG. 3 METER 3

REF. NO.	PART NO.	DESCRIPTION	601M	REMARKS
1	6Y5-83570-S6	SPEEDOMETER ASSY	1	
2	92990-04100	.WASHER, SPRING	2	
3	95380-04600	.NUT	2	
4	6Y5-83533-T2	.GROMMET	1	
5	6Y5-8355X-T1	.BRACKET, METER 1	1	
6	6Y5-87122-S0	CORD ASSY 1	1	AP
7	6Y5-83557-31	TUBE	1	
8	6Y5-83728-00	CONNECTOR ASSY	1	
9	90465-11M10	CLAMP	2	
10	6Y5-83500-30	METER ASSY	1	
11	6Y5-83570-30	.SPEEDOMETER ASSY	1	
12	92990-04100	..WASHER, SPRING	2	
13	95380-04600	..NUT	2	
14	6Y5-83533-T2	..GROMMET	1	
15	6Y5-8355X-T1	..BRACKET, METER 1	1	
16	6Y5-83557-31	.TUBE	1	
17	6Y5-83728-00	.CONNECTOR ASSY	1	
18	90465-11M10	.CLAMP	2	
19	6Y5-87122-S0	CORD ASSY 1	1	AP
20	6Y5-83557-00	TUBE (6M)	1	
21	90465-11M10	CLAMP	2	



### ANALOG SPEEDOMETER

Description	Part No.	Applicable model
Analog, BLK panel 0 - 75 mph (20 - 120 km/h)	6Y7-83510-00	Above 40 (3-cyl) Above F30 [Mechanical RC]
Analog, WHT panel 0 - 75 mph (20 - 120 km/h)	6Y7-83510-10	
Analog, BLK panel 0 - 50 mph (20 - 80 km/h)	6Y7-83510-20	
Analog, WHT panel 0 - 50 mph (20 - 80 km/h)	6Y7-83510-30	
Analog, BLK panel 0 - 120 km/h (15 - 65 knot)	6Y7-83510-40	
Analog, WHT panel 0 - 120 km/h (15 - 65 knot)	6Y7-83510-50	
Analog, BLK panel 0 - 80 km/h (10 - 43 knot)	6Y7-83510-60	
Analog, WHT panel 0 - 80 km/h (10 - 43 knot)	6Y7-83510-70	



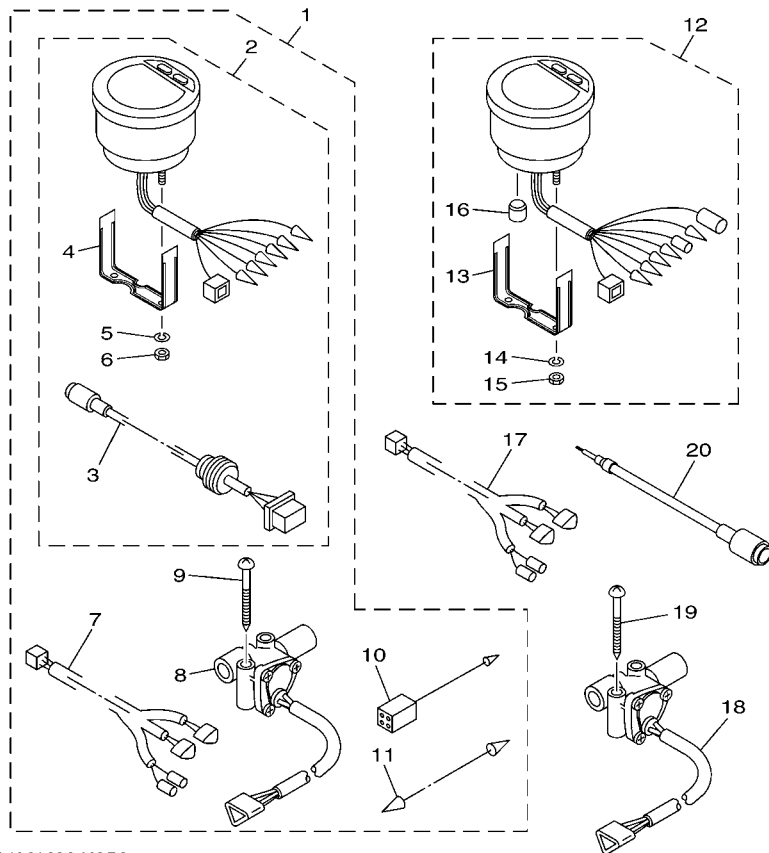
601M10M-K040

FIG. 4 METER 4

REF. NO.	PART NO.	DESCRIPTION	601M				REMARKS
1	6Y7-83510-00	SPEEDOMETER ASSY (75MPH)	1				UR
	6Y7-83510-10	SPEEDOMETER ASSY (75MPH)	1				UR
	6Y7-83510-20	SPEEDOMETER ASSY (50MPH)	1				UR
	6Y7-83510-30	SPEEDOMETER ASSY (50MPH)	1				UR
	6Y7-83510-40	SPEEDOMETER ASSY (120KM/H)	1				UR
	6Y7-83510-50	SPEEDOMETER ASSY (120KM/H)	1				UR
	6Y7-83510-60	SPEEDOMETER ASSY (80KM/H)	1				UR
	6Y7-83510-70	SPEEDOMETER ASSY (80KM/H)	1				UR
2	6Y5-83517-00	.BULB (T10, 12V-1.7W)	1				
3	6Y5-83536-40	.SOCKET, METER	1				
4	6Y5-83523-00	.DAMPER	1				
5	6Y5-83514-00	.PLATE, FITTING	1				
6	688-83557-00	.TUBE	1				
7	90465-11M10	.CLAMP	2				

# FUEL MANAGEMENT GAUGE

Ref. No.	Description	Part No.	Applicable model
1	Fuel mgt gauge kit 1 For single-engine	6Y5-W0088-54	Above 115 Above F115 [Mechanical RC]
	Fuel mgt gauge kit 2 For twin-engine	6Y5-W0088-65	
12	Fuel mgt gauge with speedometer	6Y5-83500-40	



601M10M-K050

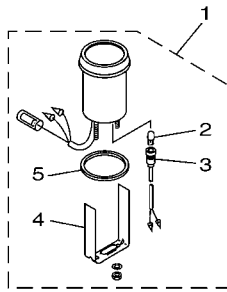
FIG. 5 METER 5

REF. NO.	PART NO.	DESCRIPTION	601M				REMARKS
1	6Y5-W0088-54	DIGITAL FUEL METER KIT(SINGLE)	1				UR
	6Y5-W0088-65	DIGITAL FUEL METER KIT (TWIN)	1				UR
2	6Y5-83500-F2	.FUEL MANAGEMENT METER	1				
3	6Y5-87122-S0	..CORD ASSY 1	1				
4	6Y5-8355X-T1	..BRACKET, METER 1	1				
5	92990-04100	..WASHER, SPRING	2				
6	95380-04600	..NUT	2				
7	6Y5-83553-F1	.WIRE, LEAD (L=8.0M)	1				
8	6Y5-85752-02	.SENDER UNIT ASSY, FUEL METER	1				FOR 6Y5-W0088-54
	6Y5-85752-02	.SENDER UNIT ASSY, FUEL METER	2				FOR 6Y5-W0088-65
9	90158-06003	.SCREW, WOOD	2				FOR 6Y5-W0088-54
	90158-06003	.SCREW, WOOD	4				FOR 6Y5-W0088-65
10	6Y5-82117-00	.WIRE, LEAD (BLACK) (L300)	1				
11	703-82531-00	.WIRE, LEAD (L70)	1				FOR 6Y5-W0088-65
12	6Y5-83500-40	METER ASSY	1				
13	6Y5-8355X-T1	.BRACKET, METER 1	1				
14	92990-04100	.WASHER, SPRING	2				
15	95380-04600	.NUT	2				
16	6Y5-83533-T2	.GROMMET	1				
17	6Y5-83553-F1	WIRE, LEAD (L=8.0M)	1				FOR 6Y5-83500-40
18	6Y5-85752-02	SENDER UNIT ASSY, FUEL METER	1				FOR 6Y5-83500-40
19	90158-06003	SCREW, WOOD	2				FOR 6Y5-83500-40
20	6Y5-85721-F0	WIRE, LEAD	1				AP

### ANALOG TRIM METER

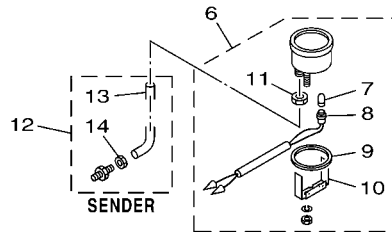
Description	Part No.	Applicable model
4-pin coupler BLK panel	6Y7-83670-00	Above premixed 40 (3-cyl) w/ PTT, 250G, L250G
Bullet connector BLK panel	6Y7-83670-40	Above 40 (3-cyl) w/ oil injection & PTT (except 250G & L250G), Above F30 w/ PTT (*1), T25 (*2) Using as a set with tachometer, 6Y7-83540-80
4-pin coupler WHT panel	6Y7-83670-20	Premixed 40 (3-cyl)-225 w/ PTT, 250G, L250G
Bullet connector WHT panel	6Y7-83670-50	Above 40 (3-cyl) w/ oil injection & PTT (except 250G & L250G), Above F30 w/ PTT (*1), T25 (*2) Using as a set with tachometer, 6Y7-83540-80

(\*1) Mechanical RC  
(\*2) T25 for US/CA



### COOLANT PRESSURE METER

Description	Part No.	Applicable model
kPa, Black panel	6Y7-83660-00	Above 40 [3-cyl] Above F25 (FT/T25) [Mechanical RC]
kPa, White panel	6Y7-83660-20	
psi, Black panel	6Y7-83660-10	
psi, White panel	6Y7-83660-30	



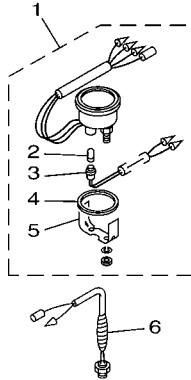
601M10M-K060

### FIG. 6 METER 6

REF. NO.	PART NO.	DESCRIPTION	601M	REMARKS
1	6Y7-83670-00	TRIM METER ASSY.	1	UR
	6Y7-83670-40	TRIM METER ASSY.	1	UR
	6Y7-83670-20	TRIM METER ASSY.	1	UR
	6Y7-83670-50	TRIM METER ASSY.	1	UR
2	6Y5-83518-00	.BULB (12V-1.7W T6.5)	1	
3	6Y5-83536-00	.SOCKET, METER	1	
4	6Y5-83544-00	.PLATE, FITTING	1	
5	688-83664-00	.DAMPER	1	
6	6Y7-83660-00	WATER PRESSURE METER ASSY	1	UR
	6Y7-83660-20	WATER PRESSURE METER ASSY	1	UR
	6Y7-83660-10	WATER PRESSURE METER ASSY	1	UR
	6Y7-83660-30	WATER PRESSURE METER ASSY	1	UR
7	6Y5-83518-00	.BULB (12V-1.7W T6.5)	1	
8	6Y5-83536-00	.SOCKET, METER	1	
9	688-83664-00	.DAMPER	1	
10	688-83665-00	.PLATE, FITTING	1	
11	663-83668-00	.NUT, NIPPLE	1	
12	688-83667-00	SENDER	1	
13	688-83666-00	.TUBE	1	
14	663-83668-00	.NUT, NIPPLE	1	

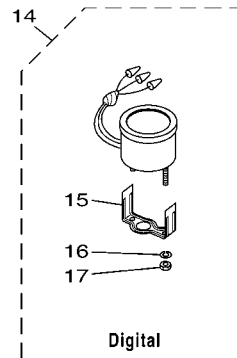
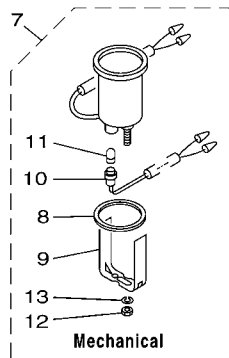
### COOLANT TEMP. METER

Description	Part No.	Applicable model
Black panel	6Y7-83590-00	Above 40 [3-cylinder]
White panel	6Y7-83590-10	Above F25 (FT/T25) [Mechanical RC]



### HOUR METER

Ref. No.	Description	Part No.	Applicable model
7	Mechanical	6Y5-83504-01	All electrical start models
14	Digital, Black panel	6Y7-83504-00	
	Digital, White panel	6Y7-83504-10	



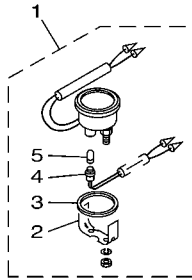
601M10M-K070

### FIG. 7 METER 7

REF. NO.	PART NO.	DESCRIPTION	601M				REMARKS
1	6Y7-83590-00	WATER TEMPERATURE ASSY	1				UR
	6Y7-83590-10	WATER TEMPERATURE ASSY	1				UR
2	6Y5-83518-00	.BULB (12V-1.7W T6.5)	1				
3	6Y5-83536-00	.SOCKET, METER	1				
4	688-83664-00	.DAMPER	1				
5	6Y5-83544-00	.PLATE, FITTING	1				
6	688-83591-00	THERMO UNIT	1				
7	6Y5-83504-01	HOUR METER ASSY	1				
8	688-83664-00	.DAMPER	1				
9	6Y5-83577-00	.PLATE, FITTING	1				
10	6Y5-83536-00	.SOCKET, METER	1				
11	6Y5-83518-00	.BULB (12V-1.7W T6.5)	1				
12	95303-04600	.NUT	2				
13	92990-04100	.WASHER, SPRING	2				
14	6Y7-83504-00	HOUR METER ASSY	1				UR
	6Y7-83504-10	HOUR METER ASSY	1				UR
15	6Y5-8355X-H0	.BRACKET, METER 1	1				
16	92990-04100	.WASHER, SPRING	2				
17	95380-04600	.NUT	2				

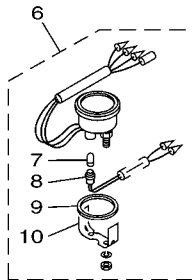
### VOLTAGE METER

Description	Part No.	Applicable model
DC 12 volts power supply Black panel	6Y7-83503-00	All electrical start models
DC 12 volts power supply White panel	6Y7-83503-10	



### FUEL METER

Description	Part No.	Applicable model
For Yamaha sensor (5 – 105 Ω ) Black panel	6Y7-85750-00	All electrical start models
For ABYC sensor (30 – 240 Ω ) Black panel	6Y7-85750-10	
For Yamaha sensor (5 – 105 Ω ) White panel	6Y7-85750-20	
For ABYC sensor (30 – 240 Ω ) White panel	6Y7-85750-30	

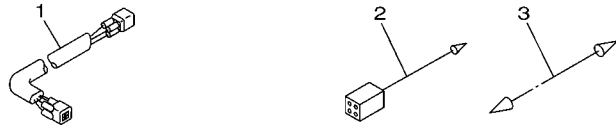


601M10M-J080

**FIG. 8 METER 8**

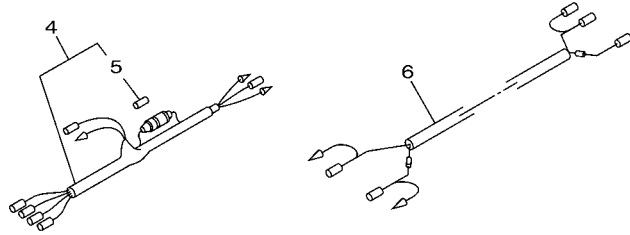
REF. NO.	PART NO.	DESCRIPTION	601M	REMARKS
1	6Y7-83503-00	VOLTMETER ASSY	1	UR
	6Y7-83503-10	VOLTMETER ASSY	1	UR
2	6Y5-83544-00	.PLATE, FITTING	1	
3	688-83664-00	.DAMPER	1	
4	6Y5-83536-00	.SOCKET, METER	1	
5	6Y5-83518-00	.BULB (12V-1.7W T6.5)	1	
6	6Y7-85750-00	FUEL METER ASSY	1	UR
	6Y7-85750-10	FUEL METER ASSY	1	UR
	6Y7-85750-20	FUEL METER ASSY	1	UR
	6Y7-85750-30	FUEL METER ASSY	1	UR
7	6Y5-83518-00	.BULB (12V-1.7W T6.5)	1	
8	6Y5-83536-00	.SOCKET, METER	1	
9	688-83664-00	.DAMPER	1	
10	6Y5-83544-00	.PLATE, FITTING	1	

**REMOTE-OIL TANK HARNESS      ACCESSORY LEAD**



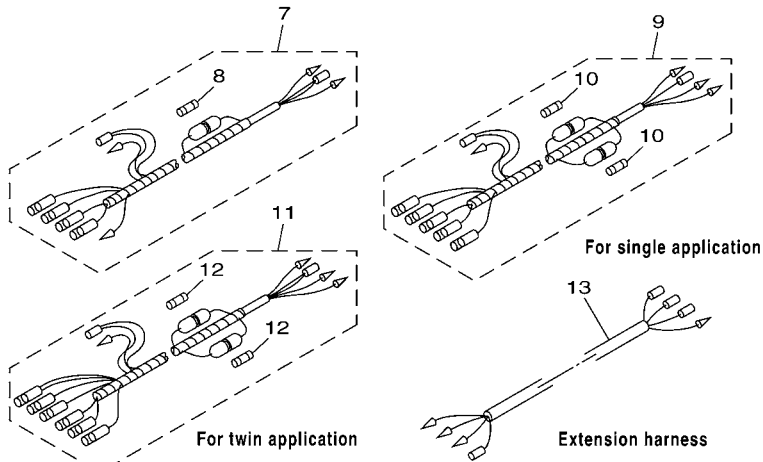
For V4, V6 oil injection model

**METER HARNESS (For analog meter)**



For pre-mixed model

**METER HARNESS (For digital meter)**



For twin application

For single application

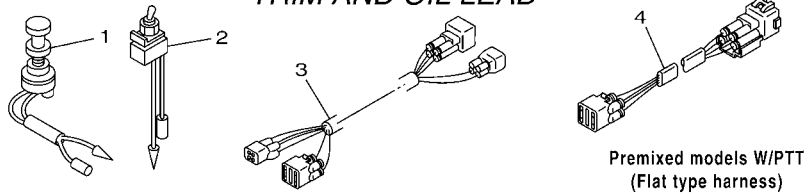
Extension harness

601M10M-J090

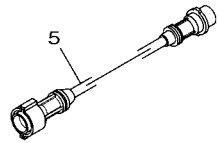
**FIG. 9 WIRE HARNESS 1**

REF. NO.	PART NO.	DESCRIPTION	601M				REMARKS
1	6R3-85721-30	WIRE, LEAD (L=3.0M)	1				UR (4P)
	6R3-85721-50	WIRE, LEAD (L=5.0M)	1				UR (4P)
	6R3-85721-80	WIRE, LEAD (L=8.0M)	1				UR (4P)
2	6Y5-82149-00	WIRE, LEAD (BLUE) (L300)	1				UR
	6Y5-82117-00	WIRE, LEAD (BLACK) (L300)	1				UR
3	703-82531-00	WIRE, LEAD (L=70)	1				L/H MODEL
4	6Y5-83553-00	WIRE, LEAD (L=2.5M)	1				
5	1E6-82151-00	.FUSE (10A)	1				
6	6Y5-83553-10	WIRE, LEAD (L=5.0M)	1				
7	6Y5-83553-20	WIRE, LEAD (L=2.5M)	1				L/H MODEL
8	1E6-82151-00	.FUSE (10A)	1				
9	6Y5-83553-M0	WIRE, LEAD (L=2.5M)	1				
10	1E6-82151-00	.FUSE (10A)	2				
11	6Y5-83553-N0	WIRE, LEAD (L=2.5M)	1				
12	1E6-82151-00	.FUSE (10A)	2				
13	6Y5-8356N-00	WIRE, LEAD (L=1.5M)	1				

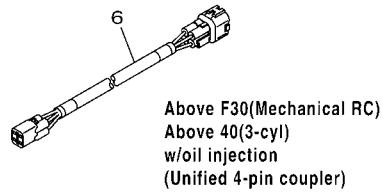
**LAMP SWITCH    COMBINATION TRIM AND OIL LEAD    TRIM METER LEAD**



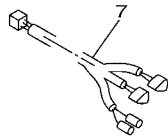
**PT/T SWITCH LEAD EXTENSION**



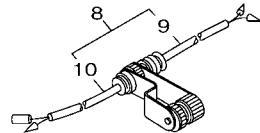
**TRIM AND OIL LEAD**



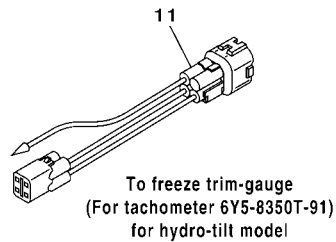
**FUEL MANAGEMENT GAUGE HARNESS**



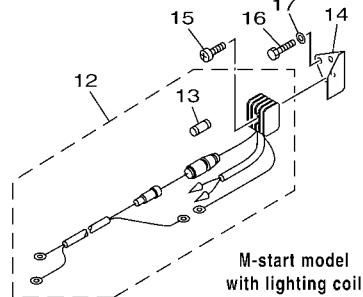
**LIGHTING COIL EXTENSION HARNESS**



**CONVERSION HARNESS 1**



**RECTIFIER KIT**



601M10M-M100

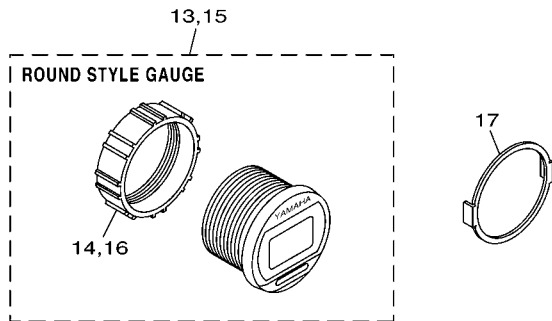
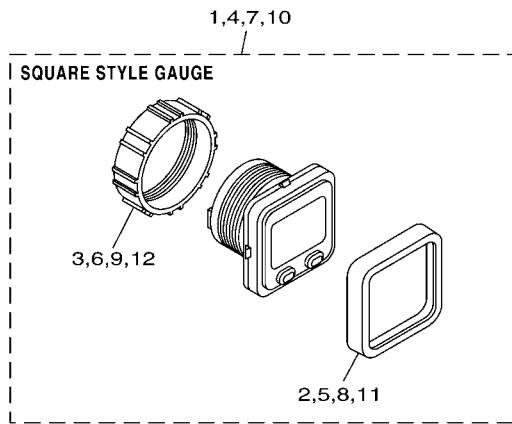
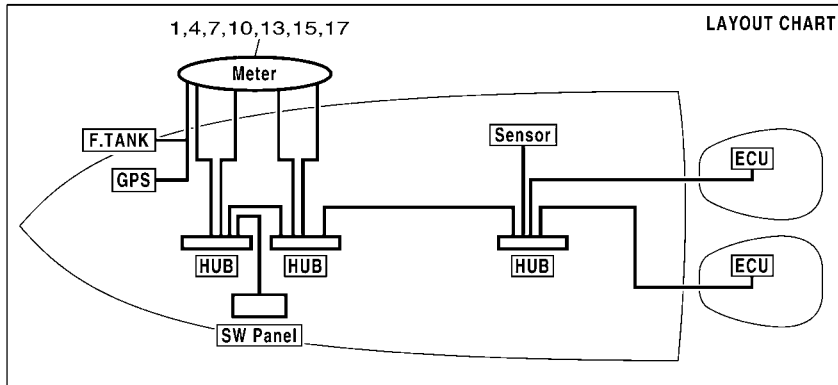
**FIG. 10 WIRE HARNESS 2**

REF. NO.	PART NO.	DESCRIPTION	601M			REMARKS
1	688-82520-00	LIGHT SWITCH ASSY	1			
2	688-82526-00	SWITCH, LAMP	1			
3	68F-82553-50	EXTENSION, WIRE LEAD (L=5.0M)	1			UR FOR (L)250G
	68F-82553-70	EXTENSION, WIRE LEAD (L=7.0M)	1			UR FOR (L)250G
	68F-82553-80	EXTENSION, WIRE LEAD (L=8.0M)	1			UR FOR (L)250G
	68F-82553-90	EXTENSION, WIRE LEAD (L=9.5M)	1			UR FOR (L)250G
	68F-82553-A0	EXTENSION, WIRE LEAD (L=10.5M)	1			UR FOR (L)250G
4	6R3-82553-30	EXTENSION, WIRE LEAD (L=3.0M)	1			UR (4P)
	6R3-82553-50	EXTENSION, WIRE LEAD (L=5.0M)	1			UR (4P)
	6R3-82553-70	EXTENSION, WIRE LEAD (L=7.0M)	1			UR (4P)
	6R3-82553-80	EXTENSION, WIRE LEAD (L=8.0M)	1			UR (4P)
	6R3-82553-90	EXTENSION, WIRE LEAD (L=9.0M)	1			UR (4P)
5	688-82586-11	EXTENSION, WIRE HARNESS (2.0M)	1			L:2M(7P)
6	6Y5-83653-00	WIRE, LEAD (L=5.0M)	1			UR 4P,5M
	6Y5-83653-10	WIRE, LEAD (L=6.0M)	1			UR 4P,6M
	6Y5-83653-20	WIRE, LEAD (L=7.0M)	1			UR 4P,7M
	6Y5-83653-30	WIRE, LEAD (L=8.0M)	1			UR 4P,8M
	6Y5-83653-40	WIRE, LEAD (L=9.0M)	1			UR 4P,9M
	6Y5-83653-50	WIRE, LEAD (L=10.5M)	1			UR 4P,10.5M
7	6Y5-83553-F1	WIRE, LEAD (L=8.0M)	1			
8	682-84380-00	CONCENT 2P	1			
9	682-84381-00	.2P CONCENT	1			
10	682-84382-00	.2P CONCENT	1			
11	6Y5-8350U-10	WIRE, LEAD	1			
12	676-81970-01	RECTIFIER ASSY	1			
13	663-82151-00	.FUSE (12V-20A)	1			
14	*	PLATE, RECTIFIER FITTING	1			LM





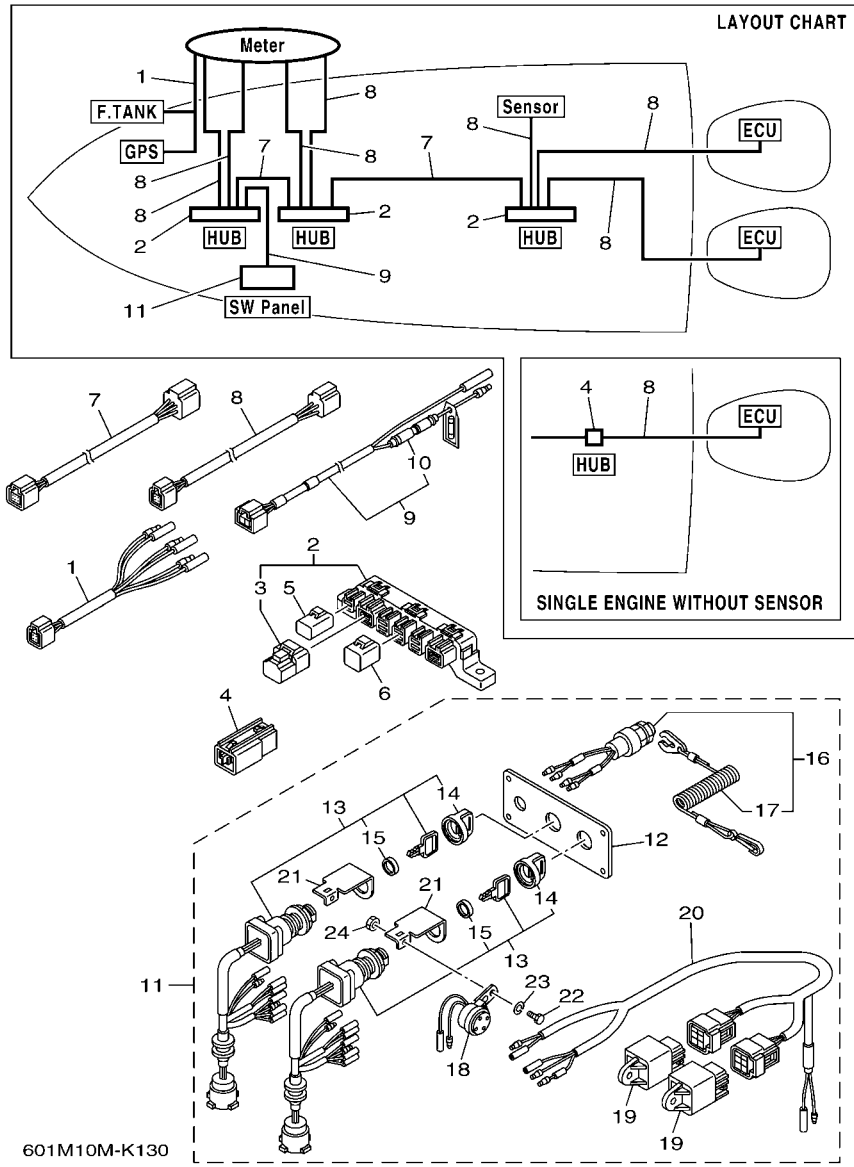




6011100-G880

FIG. 12 DIGITAL NETWORK GAUGE 1

REF. NO.	PART NO.	DESCRIPTION	601M			REMARKS
1	6Y8-8350T-01	TACHOMETER, SQ	1			
2	6Y8-83363-00	.BEZEL, SQUARE	1			
3	6Y8-84383-00	.NUT, RING	1			
4	6Y8-8350S-01	SPEEDOMETER, SQ	1			
5	6Y8-83363-00	.BEZEL, SQUARE	1			
6	6Y8-84383-00	.NUT, RING	1			
7	6Y8-8350F-01	FL MGT METER, SQ	1			FUEL MANAGEMENT
8	6Y8-83363-00	.BEZEL, SQUARE	1			
9	6Y8-84383-00	.NUT, RING	1			
10	6Y8-83500-01	S&FM METER, SQ	1			SPEED & FUEL
11	6Y8-83363-00	.BEZEL, SQUARE	1			
12	6Y8-84383-00	.NUT, RING	1			
13	6Y8-8350T-11	TACHOMETER, RD	1			
14	6Y8-84383-00	.NUT, RING	1			
15	6Y8-83500-11	S&FM METER, RD	1			SPEED & FUEL
16	6Y8-84383-00	.NUT, RING	1			
17	6Y8-83514-00	PLATE, FITTING	1			UN



**FIG. 13 DIGITAL NETWORK GAUGE 2**

REF. NO.	PART NO.	DESCRIPTION	601M				REMARKS
1	6Y8-8356N-01	LEAD, FUEL TANK & GPS SENDER	1				
2	6Y8-81920-01	MULTI HUB ASSY	1				UN
3	6Y8-85371-01	.END OF LINE RESISTER	1				
4	6Y8-81920-11	IN-LINE HUB ASSY	1				
5	6Y8-82582-01	CAP 1 (2PIN)	1				UN
6	6Y8-82582-11	CAP 1 (4PIN)	1				UN
7	6Y8-82553-01	1FT MAIN BUS	1				UR
	6Y8-82553-11	15FT MAIN BUS	1				UR
	6Y8-82553-21	20FT MAIN BUS	1				UR
	6Y8-82553-31	25FT MAIN BUS	1				UR
	6Y8-82553-41	30FT MAIN BUS	1				UR
	6Y8-82553-50	10FT MAIN BUS	1				UR
8	6Y8-82521-01	1FT PIGTAIL BUS	1				UR
	6Y8-82521-11	2FT PIGTAIL BUS	1				UR
	6Y8-82521-21	3FT PIGTAIL BUS	1				UR
	6Y8-82521-31	6FT PIGTAIL BUS	1				UR
	6Y8-82521-41	9FT PIGTAIL BUS	1				UR
	6Y8-82521-51	12FT PIGTAIL BUS	1				UR
9	6Y8-83553-01	8FT POWER WIRE	1				
10	6G1-82151-00	.FUSE (10A)	1				
11	6Y8-82570-03	PANEL SWITCH ASSY	1				
12	6Y8-82571-01	.PLATE, PANEL SWITCH	1				
13	6Y8-82510-03	.MAIN SWITCH ASSY	2				
14	676-82577-01	..CAP, KEY	1				
15	703-82532-00	..CAP	1				
16	6K1-82575-00	.ENGINE STOP SWITCH ASSY	1				
17	682-82556-00	..LANYARD, STOP SWITCH	1				

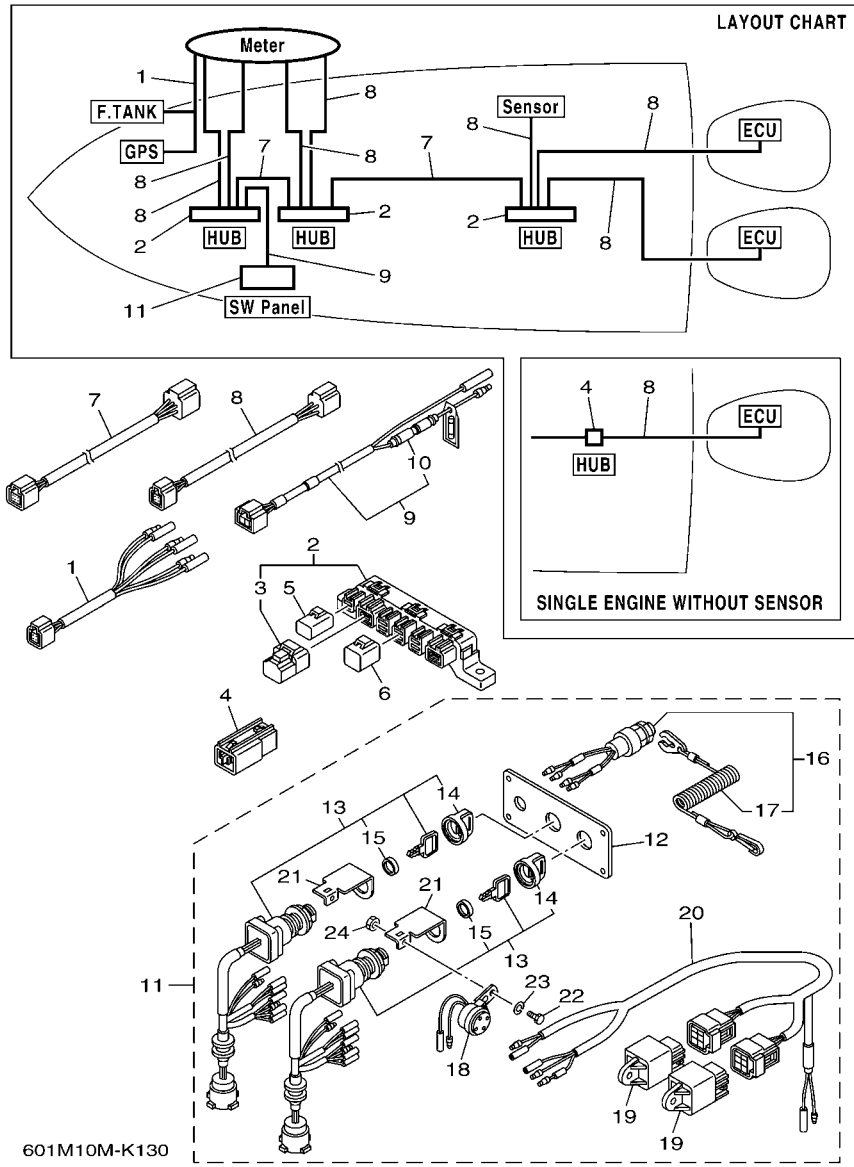
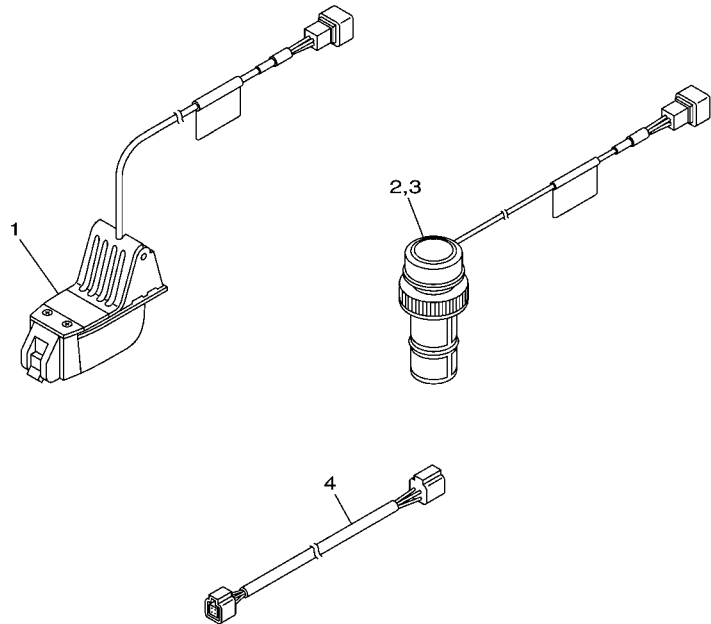
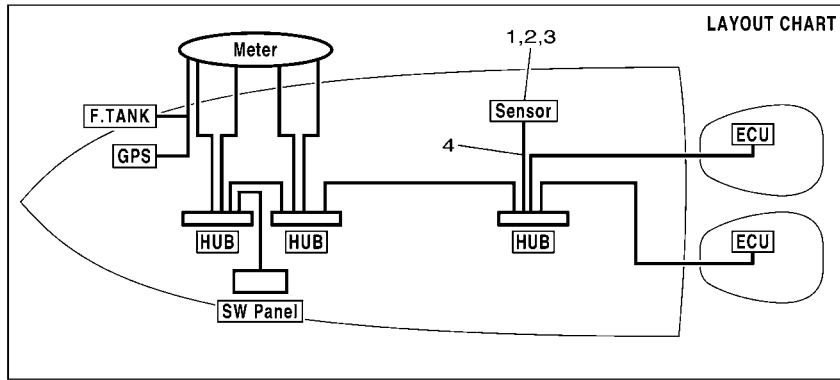


FIG. 13 DIGITAL NETWORK GAUGE 2

REF. NO.	PART NO.	DESCRIPTION	601M				REMARKS
18	6R5-83383-00	.BUZZER	2				
19	68V-81950-00	.RELAY ASSY	2				
20	6Y8-82507-00	.LEAD, IGNITION SWITCH RELAY	1				
21	64D-82581-00	.STAY, CORD CLAMP	2				
22	97003-05012	.BOLT	2				
23	92903-05100	.WASHER, SPRING	2				
24	95303-05700	.NUT	2				



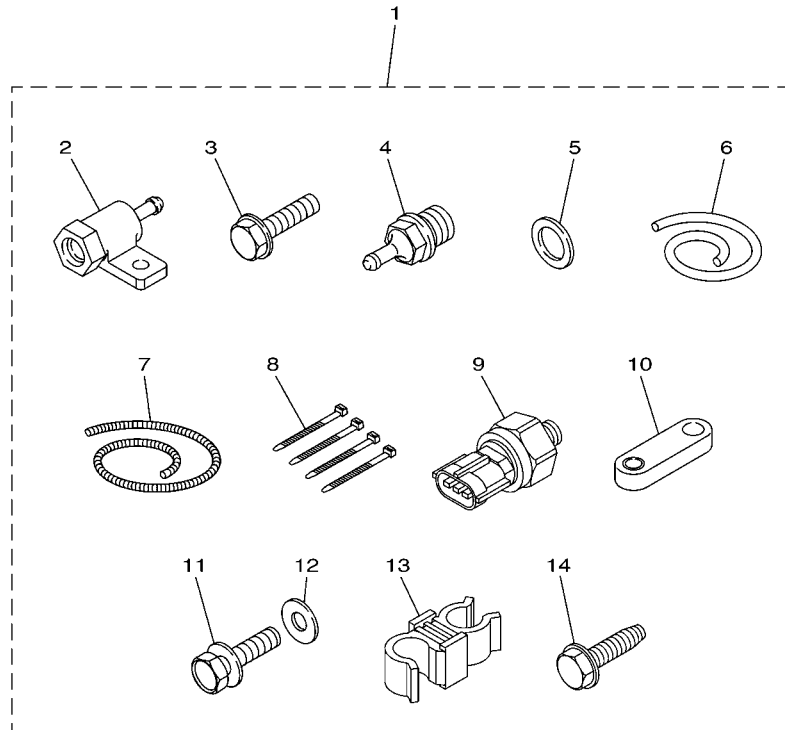
6Y82110-E030

FIG. 14 DIGITAL NETWORK GAUGE 3

REF. NO.	PART NO.	DESCRIPTION	601M			REMARKS
1	6Y8-83688-01	TRANSOM MOUNT TRIDUCER	1			
2	6Y8-83688-11	PLASTIC THRU-HULL TRIDUCER	1			PLASTIC BODY
3	6Y8-83688-20	BRONZE THRU-HULL TRIDUCER	1			BRONZE BODY
4	6Y8-82521-01	1FT PIGTAIL BUS	1			UR
	6Y8-82521-11	2FT PIGTAIL BUS	1			UR
	6Y8-82521-21	3FT PIGTAIL BUS	1			UR
	6Y8-82521-31	6FT PIGTAIL BUS	1			UR
	6Y8-82521-41	9FT PIGTAIL BUS	1			UR
	6Y8-82521-51	12FT PIGTAIL BUS	1			UR

Cooling water pressure sensor

Part No.	Remarks
60V-8A4L0-12	Fuel injected F30-F115, HPDI



601M10M-J150

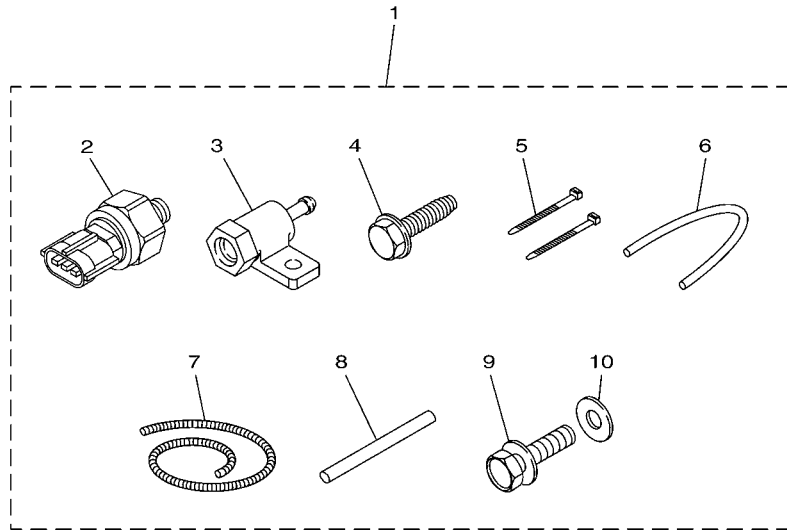
FIG. 15 DIGITAL NETWORK GAUGE 4

REF. NO.	PART NO.	DESCRIPTION	601M				REMARKS
1	60V-8A4L0-12	SENSOR, MODULE	1				
2	60V-8366D-00	.ADAPTOR, INPUT	1				
3	95895-06025	.BOLT, FLANGE	1				
4	60V-83667-00	.SENDER, WATER PRESSURE	1				
5	90430-14115	.GASKET	1				
6	90445-07018	.HOSE (L1400)	1				
7	90447-07015	.HOSE, COVER (L: 1300MM)	1				
8	90465-11M10	.CLAMP	4				
9	6AW-8366B-00	.SENSOR, WATER PRESSURE	1				
10	60V-8257V-00	.PLATE, CONNECTOR	1				
11	97095-06016	.BOLT	1				
12	92995-06600	.WASHER	1				
13	90464-09021	.CLAMP	1				
14	90109-06M81	.BOLT	1				



Speed sensor

Part No.	Remarks
60V-8A4L1-11	Fuel injected F30-F300 (V6), HPDI



601M10M-K170

FIG. 17 DIGITAL NETWORK GAUGE 6

REF. NO.	PART NO.	DESCRIPTION	601M				REMARKS
1	60V-8A4L1-11	SENSOR, MODULE 1	1				
2	6AW-8366B-00	.SENSOR, WATER PRESSURE	1				
3	60V-8366D-00	.ADAPTOR, INPUT	1				
4	90109-06M81	.BOLT	1				
5	90465-11M10	.CLAMP	2				
6	90445-07017	.HOSE (L: 550MM)	1				
7	90447-07013	.HOSE, COVER (L: 700MM)	1				
8	60V-42629-00	.SEAL	1				
9	97095-06016	.BOLT	1				
10	92995-06600	.WASHER	1				





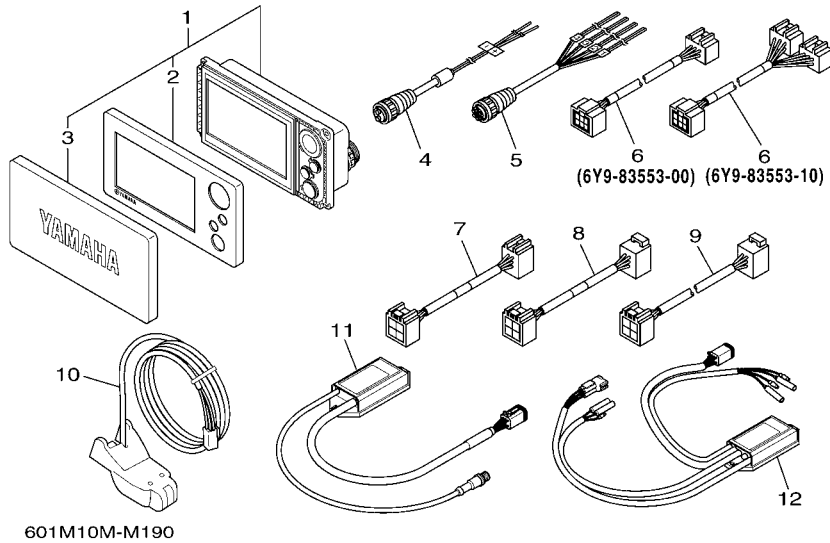
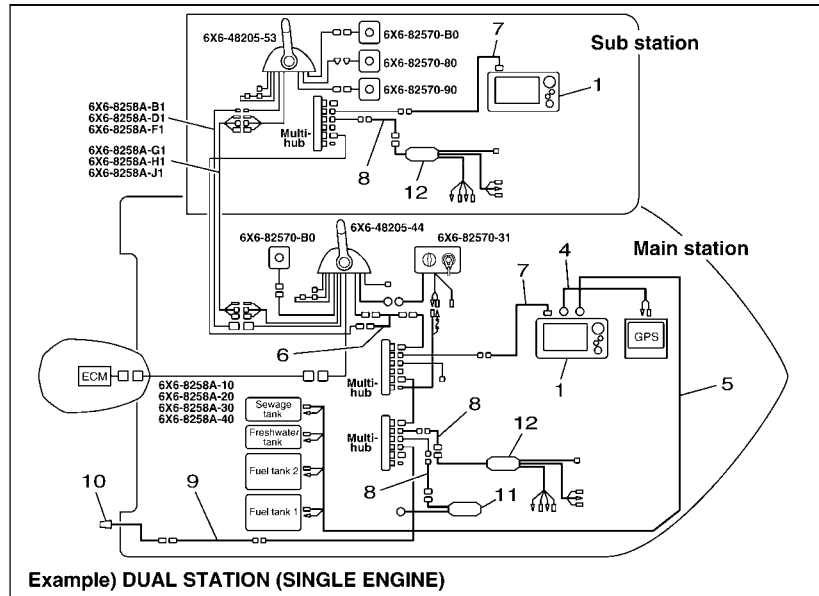


FIG. 19 COMMAND LINK PLUS

REF. NO.	PART NO.	DESCRIPTION	601M				REMARKS
1	6Y9-83710-10	MULTI DISPLAY ASSY	1				UN
2	6Y9-83512-00	.COVER, FRONT	1				
3	6Y9-87278-00	.COVER, METER	1				
4	6Y9-8356N-01	WIRE, LEAD	1				FOR GPS
5	6Y9-8356N-10	WIRE, LEAD	1				FOR TANKS
6	6Y9-83553-00	WIRE, LEAD	1				UR 1 STATION
	6Y9-83553-10	WIRE, LEAD	1				UR 2 STATION
7	6Y9-83553-40	WIRE, LEAD	1				UN FOR MULTI DISPLAY
8	6Y9-83553-50	WIRE, LEAD	1				UN FOR INTERFACE UNIT
9	6Y9-83553-60	WIRE, LEAD	1				FOR SENSOR ASSY
10	6Y9-83688-00	SENSOR ASSY	1				
11	6Y9-8A2D0-00	INTERFACE UNIT	1				GATEWAY
12	6Y9-8A2D0-10	INTERFACE UNIT	1				UN ANALOGUE GAUGE

NUMERICAL INDEX

PART NO.	REF. NO.	PART NO.	REF. NO.	PART NO.	REF. NO.	PART NO.	REF. NO.	PART NO.	REF. NO.	PART NO.	REF. NO.
60V-42629-00	17 - 8	6R3-82553-70	10 - 4	6Y5-83514-00	2 - 5	6Y5-83553-10	9 - 6	688-83665-00	6 - 10	6Y5-87122-S0	3 - 6
6H5-81315-00	11 - 3	68F-82553-80	10 - 3		2 - 12	6Y9-83553-10	19 - 6	688-83666-00	6 - 13		3 - 19
697-81901-60	11 - 1	6R3-82553-80	10 - 4		2 - 21	6Y5-83553-20	9 - 7	60V-83667-00	15 - 4		5 - 3
6Y8-81920-01	13 - 2	68F-82553-90	10 - 3		4 - 5	6Y9-83553-40	19 - 7	688-83667-00	6 - 12	6Y9-87278-00	19 - 3
6Y8-81920-11	13 - 4	6R3-82553-90	10 - 4	6Y8-83514-00	12 - 17	6Y9-83553-50	19 - 8	663-83668-00	6 - 11	6Y9-8A2D0-00	19 - 11
6CE-81949-00	11 - 4	68F-82553-A0	10 - 3	6Y5-83517-00	2 - 2	6Y9-83553-60	19 - 9		6 - 14	6Y9-8A2D0-10	19 - 12
68F-81949-02	11 - 4	682-82556-00	13 - 17		2 - 9	6Y5-83553-F1	5 - 7	6AW-8366B-00	15 - 9	63P-8A4L0-00	16 - 1
69J-81949-02	11 - 4	6Y8-82570-03	13 - 11		2 - 18		5 - 17		16 - 2	60V-8A4L0-12	15 - 1
68V-81950-00	13 - 19	6Y8-82571-01	13 - 12		4 - 2		10 - 7		17 - 2	69J-8A4L0-20	16 - 1
676-81970-01	10 - 12	6K1-82575-00	13 - 16	6Y5-83518-00	2 - 14	6Y5-83553-M0	9 - 9		18 - 9	6AW-8A4L1-01	18 - 1
6Y5-82117-00	5 - 10	676-82577-01	13 - 14		2 - 22	6Y5-83553-N0	9 - 11	63P-8366C-00	16 - 3	60V-8A4L1-11	17 - 1
	9 - 2	60V-8257V-00	15 - 10		6 - 2	688-83557-00	4 - 6	69J-8366C-00	16 - 3	6Y5-W0088-54	5 - 1
6Y5-82149-00	9 - 2	64D-82581-00	13 - 21		6 - 7	6Y5-83557-00	3 - 20	60V-8366D-00	15 - 2	6Y5-W0088-65	5 - 1
1E6-82151-00	9 - 5	6Y8-82582-01	13 - 5		7 - 2	6Y5-83557-31	3 - 7		17 - 3	90109-06M81	15 - 14
	9 - 8	6Y8-82582-11	13 - 6		7 - 11		3 - 16		18 - 8		17 - 4
	9 - 10	688-82586-11	10 - 5		8 - 5	6Y5-8355X-H0	7 - 15	6Y7-83670-00	6 - 1	90158-06003	5 - 9
	9 - 12	6Y8-83363-00	12 - 2		8 - 7	6Y5-8355X-T1	1 - 6	6Y7-83670-20	6 - 1		5 - 9
663-82151-00	10 - 13		12 - 5	6Y5-83523-00	2 - 4		1 - 11	6Y7-83670-40	6 - 1		5 - 19
6G1-82151-00	13 - 10		12 - 8		2 - 11		3 - 5	6Y7-83670-50	6 - 1	90430-14115	15 - 5
6Y8-82507-00	13 - 20		12 - 11		2 - 20		3 - 15	6Y9-83688-00	19 - 10		16 - 4
6Y8-82510-03	13 - 13	6R5-83383-00	13 - 18		4 - 4		5 - 4	6Y8-83688-01	14 - 1	90445-07017	17 - 6
688-82520-00	10 - 1	6Y8-83500-01	12 - 10	6Y5-83533-T2	3 - 4		5 - 13	6Y8-83688-11	14 - 2	90445-07018	15 - 6
6Y8-82521-01	13 - 8	6Y8-83500-11	12 - 15		3 - 14	6Y5-8356N-00	9 - 13	6Y8-83688-20	14 - 3		18 - 5
	14 - 4	6Y5-83500-30	3 - 10		5 - 16	6Y8-8356N-01	13 - 1	6Y9-83710-10	19 - 1	90447-07013	17 - 7
6Y8-82521-11	13 - 8	6Y5-83500-40	5 - 12	6Y5-83536-00	6 - 3	6Y9-8356N-01	19 - 4	6Y5-83728-00	3 - 8	90447-07015	15 - 7
	14 - 4	6Y5-83500-F2	5 - 2		6 - 8	6Y9-8356N-10	19 - 5		3 - 17		18 - 4
6Y8-82521-21	13 - 8	6Y7-83503-00	8 - 1		7 - 3	6Y5-83570-30	3 - 11	663-84301-01	11 - 2	90464-09021	15 - 13
	14 - 4	6Y7-83503-10	8 - 1		7 - 10	6Y5-83570-S6	3 - 1	682-84380-00	10 - 8	90465-06M86	18 - 2
6Y8-82521-31	13 - 8	6Y7-83504-00	7 - 14		8 - 4	6Y5-83577-00	7 - 9	682-84381-00	10 - 9	90465-11M10	3 - 9
	14 - 4	6Y5-83504-01	7 - 7		8 - 8	6Y7-83590-00	7 - 1	682-84382-00	10 - 10		3 - 18
6Y8-82521-41	13 - 8	6Y7-83504-10	7 - 14	6Y5-83536-10	2 - 3	6Y7-83590-10	7 - 1	6Y8-84383-00	12 - 3		3 - 21
	14 - 4	6Y5-83509-03	2 - 13	6Y5-83536-40	2 - 3	688-83591-00	7 - 6		12 - 6		4 - 7
6Y8-82521-51	13 - 8	6Y8-8350F-01	12 - 7		2 - 10	6Y5-83653-00	10 - 6		12 - 9		15 - 8
	14 - 4	6Y8-8350S-01	12 - 4		2 - 19	6Y5-83653-10	10 - 6		12 - 12		17 - 5
688-82526-00	10 - 2	6Y8-8350T-01	12 - 1		4 - 3	6Y5-83653-20	10 - 6		12 - 14	90465-14M66	18 - 3
703-82531-00	5 - 11	6Y5-8350T-04	1 - 1	6Y7-83540-00	2 - 8	6Y5-83653-30	10 - 6		12 - 16	92903-05100	2 - 16
	9 - 3	6Y8-8350T-11	12 - 13	6Y7-83540-10	2 - 8	6Y5-83653-40	10 - 6	6Y8-85371-01	13 - 3		13 - 23
703-82532-00	13 - 15	6Y5-8350T-91	1 - 7	6Y7-83540-20	2 - 1	6Y5-83653-50	10 - 6	6R3-85721-30	9 - 1	92903-06600	10 - 17
6Y8-82553-01	13 - 7	6Y5-8350U-10	10 - 11	6Y7-83540-30	2 - 1	6Y7-83660-00	6 - 6	6R3-85721-50	9 - 1	92990-04100	1 - 4
6Y8-82553-11	13 - 7	6Y7-83510-00	4 - 1	6Y7-83540-80	2 - 17	6Y7-83660-10	6 - 6	6R3-85721-80	9 - 1		1 - 9
6Y8-82553-21	13 - 7	6Y7-83510-10	4 - 1	6Y7-83540-90	2 - 17	6Y7-83660-20	6 - 6	6Y5-85721-F0	5 - 20		3 - 2
6R3-82553-30	10 - 4	6Y7-83510-20	4 - 1	6Y5-83544-00	6 - 4	6Y7-83660-30	6 - 6	6Y7-85750-00	8 - 6		3 - 12
6Y8-82553-31	13 - 7	6Y7-83510-30	4 - 1		7 - 5	688-83664-00	6 - 5	6Y7-85750-10	8 - 6		5 - 5
6Y8-82553-41	13 - 7	6Y7-83510-40	4 - 1		8 - 2		6 - 9	6Y7-85750-20	8 - 6		5 - 14
68F-82553-50	10 - 3	6Y7-83510-50	4 - 1		8 - 10		7 - 4	6Y7-85750-30	8 - 6		7 - 13
6R3-82553-50	10 - 4	6Y7-83510-60	4 - 1	6Y5-83553-00	9 - 4		7 - 8	6Y5-85752-02	5 - 8		7 - 16
6Y8-82553-50	13 - 7	6Y7-83510-70	4 - 1	6Y9-83553-00	19 - 6		8 - 3		5 - 8	92990-05100	2 - 7
68F-82553-70	10 - 3	6Y9-83512-00	19 - 2	6Y8-83553-01	13 - 9		8 - 9		5 - 18		2 - 24

NUMERICAL INDEX

PART NO.	REF. NO.	PART NO.	REF. NO.	PART NO.	REF. NO.	PART NO.	REF. NO.	PART NO.	REF. NO.
92995-06600	15 - 12								
	17 - 10								
	18 - 7								
95303-04600	7 - 12								
95303-05600	2 - 15								
95303-05700	13 - 24								
95380-04600	1 - 5								
	1 - 10								
	3 - 3								
	3 - 13								
	5 - 6								
	5 - 15								
	7 - 17								
95380-05600	2 - 6								
	2 - 23								
95895-06025	15 - 3								
97003-05012	13 - 22								
97013-06010	10 - 16								
97095-06016	15 - 11								
	17 - 9								
	18 - 6								
97880-05025	10 - 15								
9E450-04433	1 - 2								
9E450-04533	1 - 3								
	1 - 8								