

PARTS CATALOGUE

BOAT LAN GAUGE-2006 (6Y82)



1E6Y8-110E1

()

BOAT LAN GAUGE-2006
PARTS CATALOGUE
©2005 by Yamaha Motor Co., Ltd.
1st edition, June 2005
All rights reserved.
Any reprinting or unauthorized use
without the written permission of
Yamaha Motor Co., Ltd.
is expressly prohibited.
Printed in Japan.

FOREWORD

This Parts Catalogue is related to the parts for the model(s) on the cover page. When you are ordering replacement parts, please refer to this Parts Catalogue and quote both part numbers and part names correctly.

1. Modifications or additions which have been made after the issue of the Parts Catalogue will be announced in the Parts News.

It is advisable that you make the necessary corrections to the Parts Catalogue according to the Parts News.

2. Abbreviations

The following abbreviations are used in this Parts Catalogue.

“UR” Use specified parts number.

“UN” Use as many as needed.

“AP” Alternate Parts

“LM” Locally Made (Parts need to be ordered locally)

“F#” Frame No. (Applicable machine No.)

“O/S” Over Size

3. The number of components for assembly

- Parts, which are to be supplied in an assembly, are listed with a dot (.) in front of the part name as shown below.
- The numeral appearing to the right of each component part indicates the quantity of parts for each assembly unit.

PART NO.	DESCRIPTION	Q'TY	REMARKS
2F5-83310-60	FRONT FLASHER LIGHT ASSY	2	
115-83311-60	.BULB (6V-18W)	1	

4. Applicable colours of graphics are represented in the “REMARKS” as shown below.

PART NO.	DESCRIPTION	Q'TY	REMARKS
2N4-24110-00-X5	FUEL TANK COMP.	2	MXR
3J1-24240-10	.GRAPHIC, FUEL TANK	1	FOR MXR

5. Note that the illustrations for reference in finding parts numbers are not to be used for assembling. When assembling, please use the applicable service manual.

6. The asterisk (*) before a reference number indicates modified items after the first edition.

***Boat LAN Gauge**

***Cooling water pressure sensor**

***Speed sensor**

Application Model

V6 (HPDI Series)		
MODEL CODE	MODEL NAME	SERIAL NO.
68H5	Z150TR-2006	6G4:1015800-
68J5	VZ150TR-2006	6J9:1009041-
68K5	LZ150TR-2006	6K0:1000991-
68L5	Z175TR-2006	6G5:1000879-
68M5	VZ175TR-2006	62H:1000921-
60F6	VZ200TR2-2006	60F:1001979-
68F5	Z200TR-2006	6G6:1024730-
68G5	LZ200TR-2006	6K1:1004010-
6P42	Z200TR-2006	6P4:1000316-
6P52	VZ200TR-2006	6P5:1000932-
60Y4	VZ225TR-2006	60Y:1003330-
60V4	Z250TR-2006	60V:1003974-
60W4	LZ250TR-2006	60W:1001537-
60X4	VZ250TR-2006	60X:1002505-
6C93	VZ300TR-2006	6C9:1000648-
6D03	Z300TR-2006	6D0:1003215-
6D13	LZ300TR-2006	6D1:1001546-

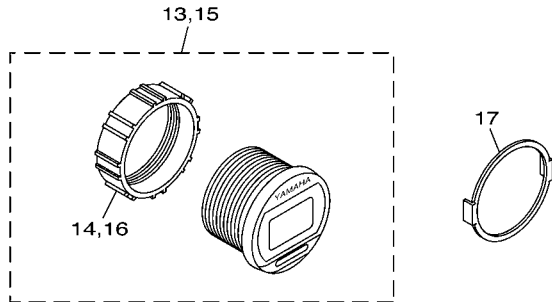
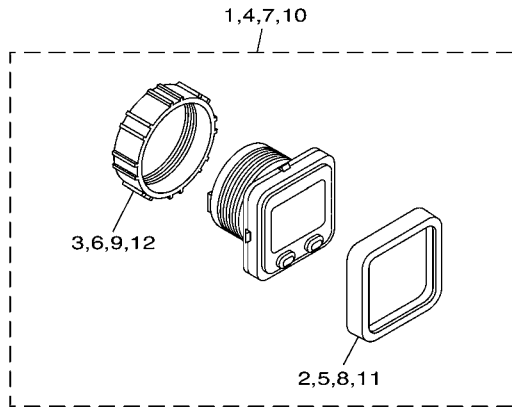
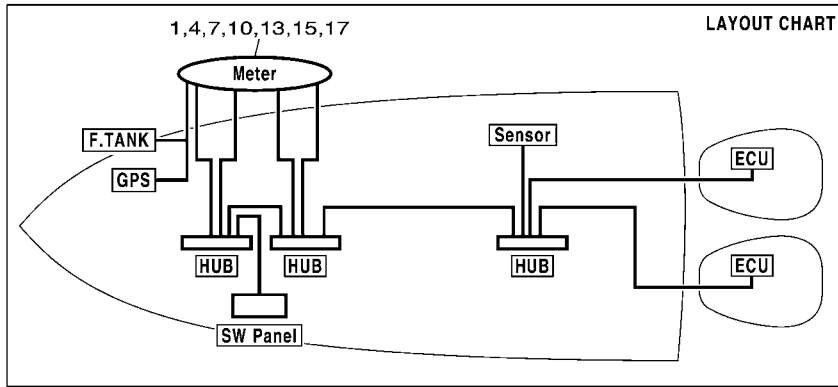
4 Stroke Series		
MODEL CODE	MODEL NAME	SERIAL NO.
6C12	F50TR-2006	6C1:1006292-
6C22	T50TR-2006	6C2:1001851-
6C52	F60TR-2006	6C5:1007597-
6C62	T60TR-2006	6C6:1002114-
6D62	F75TR-2006	62P:1005583-
6D82	F90TR-2006	61P:1013277-
68V5	F115TR-2006	68V:1047289-
68W5	LF115TR-2006	68W:1002053-
63P3	F150TR-2006	63P:1029405-
64P3	LF150TR-2006	64P:1003507-
60L5	F200TR-2006	60L:1005828-
60M5	LF200TR-2006	60M:1000986-
69J5	F225TR-2006	69J:1021983-
69K5	LF225TR-2006	69K:1006907-
6P22	F250TR-2006	6P2:1002895-
6P32	LF250TR-2006	6P3:1000957-

CONTENTS

METER	1
ELECTRICAL 1	2
ALTERNATE 1	4
ALTERNATE 2	5
ALTERNATE 3	6
ALTERNATE 4	7

INDEX

NUMERICAL INDEX	8
-----------------------	---



6Y82110-E010

FIG. 1 METER

REF. NO.	PART NO.	DESCRIPTION	6Y82				REMARKS
1	6Y8-8350T-01	TACHOMETER, SQ	1				
2	6Y8-83363-00	.BEZEL, SQUARE	1				
3	6Y8-84383-00	.NUT, RING	1				
4	6Y8-8350S-01	SPEEDOMETER, SQ	1				
5	6Y8-83363-00	.BEZEL, SQUARE	1				
6	6Y8-84383-00	.NUT, RING	1				
7	6Y8-8350F-01	FL MGT METER, SQ	1				FUEL MANAGEMENT
8	6Y8-83363-00	.BEZEL, SQUARE	1				
9	6Y8-84383-00	.NUT, RING	1				
10	6Y8-83500-01	S&FM METER, SQ	1				SPEED & FUEL
11	6Y8-83363-00	.BEZEL, SQUARE	1				
12	6Y8-84383-00	.NUT, RING	1				
13	6Y8-8350T-11	TACHOMETER, RD	1				
14	6Y8-84383-00	.NUT, RING	1				
15	6Y8-83500-11	S&FM METER, RD	1				SPEED & FUEL
16	6Y8-84383-00	.NUT, RING	1				
17	6Y8-83514-00	PLATE, FITTING	1				UN

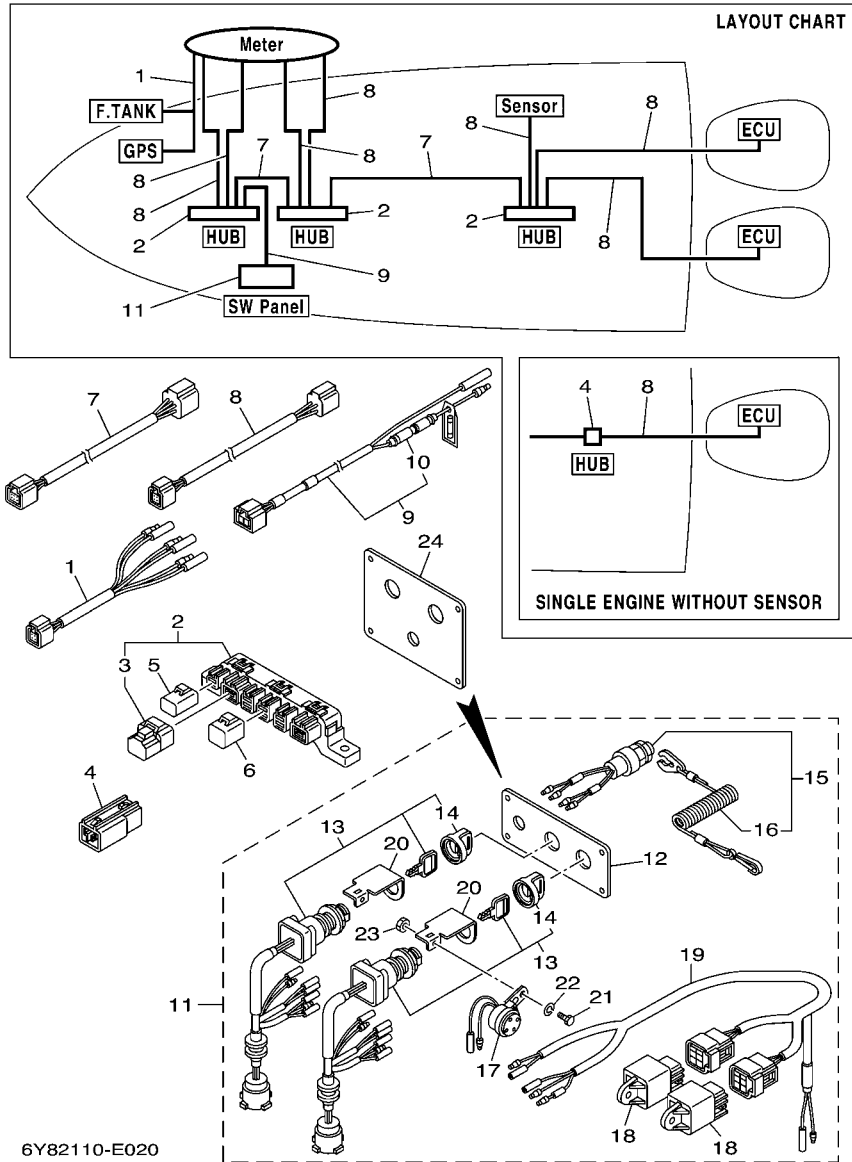


FIG. 2 ELECTRICAL 1

REF. NO.	PART NO.	DESCRIPTION	6Y82				REMARKS
1	6Y8-8356N-01	LEAD, FUEL TANK & GPS SENDER	1				
2	6Y8-81920-01	MULTI HUB ASSY	1				UN
3	6Y8-85371-01	.END OF LINE RESISTER	1				
4	6Y8-81920-11	IN-LINE HUB ASSY	1				
5	6Y8-82582-01	CAP 1 (2PIN)	1				UN
6	6Y8-82582-11	CAP 1 (4PIN)	1				UN
7	6Y8-82553-01	1FT MAIN BUS	1				UR
	6Y8-82553-11	15FT MAIN BUS	1				UR
	6Y8-82553-21	20FT MAIN BUS	1				UR
	6Y8-82553-31	25FT MAIN BUS	1				UR
	6Y8-82553-41	30FT MAIN BUS	1				UR
	6Y8-82553-50	10FT MAIN BUS	1				UR
8	6Y8-82521-01	1FT PIGTAIL BUS	1				UR
	6Y8-82521-11	2FT PIGTAIL BUS	1				UR
	6Y8-82521-21	3FT PIGTAIL BUS	1				UR
	6Y8-82521-31	6FT PIGTAIL BUS	1				UR
	6Y8-82521-41	9FT PIGTAIL BUS	1				UR
	6Y8-82521-51	12FT PIGTAIL BUS	1				UR
9	6Y8-83553-01	8FT POWER WIRE	1				
10	6G1-82151-00	.FUSE (10A)	1				
11	6Y8-82570-01	PANEL SW., TWIN	1				
12	6Y8-82571-01	.PLATE, PANEL SWITCH	1				
13	6Y8-82510-01	.MAIN SWITCH ASSY	2				
14	676-82577-00	..CAP, KEY	1				
15	6K1-82575-00	.ENGINE STOP SWITCH ASSY	1				
16	682-82556-00	..LANYARD, STOP SWITCH	1				
17	6R5-83383-00	.BUZZER	2				

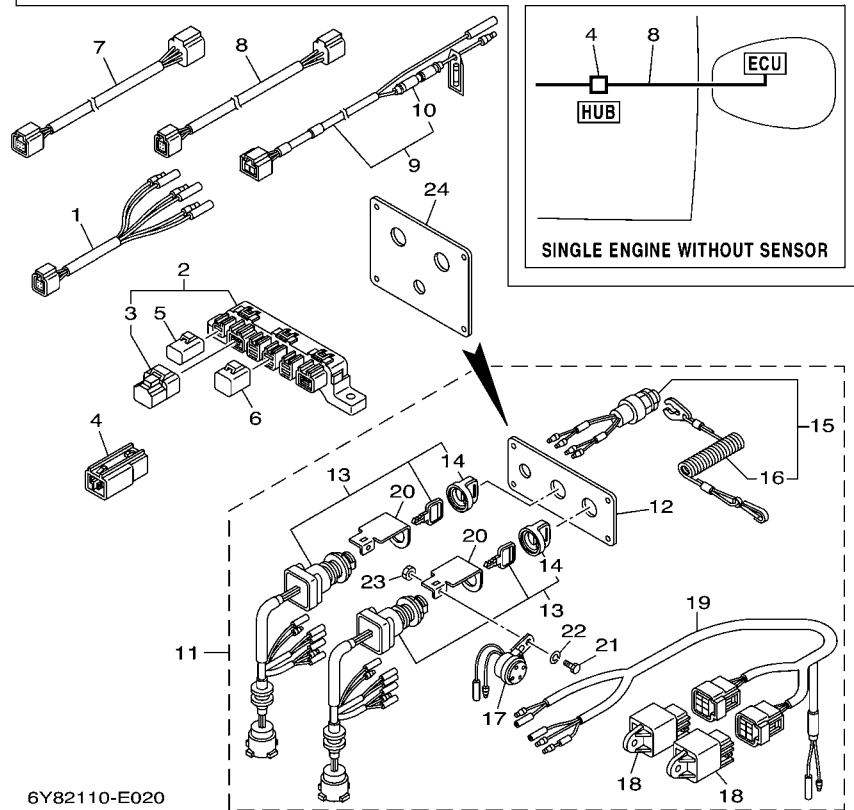
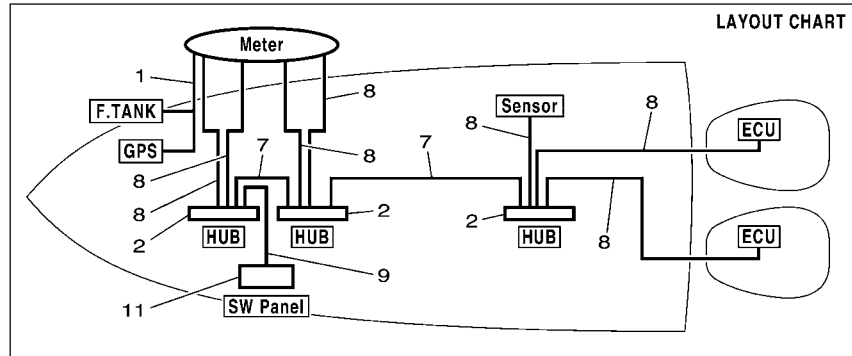
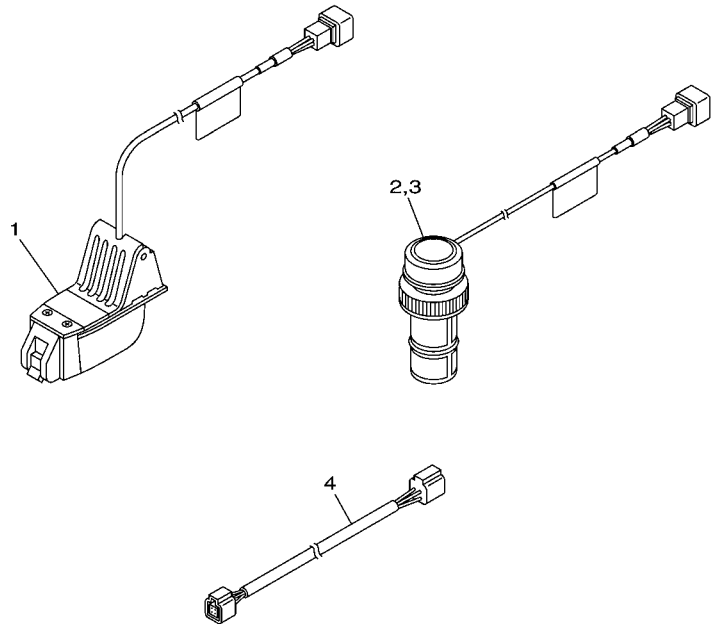
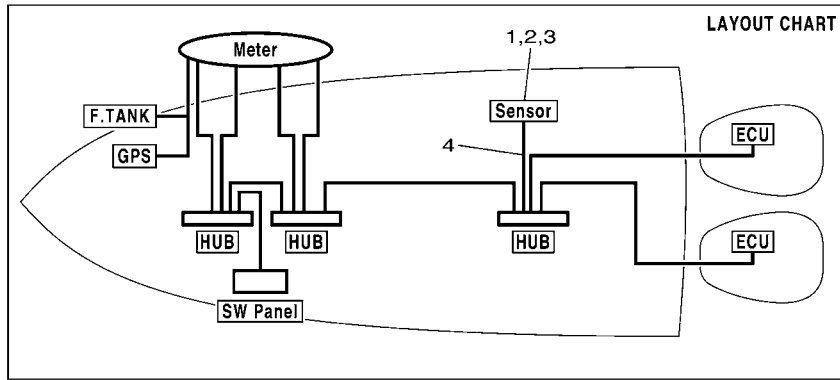


FIG. 2 ELECTRICAL 1

REF. NO.	PART NO.	DESCRIPTION	6Y82				REMARKS
18	68V-81950-00	.RELAY ASSY	2				
19	6Y8-82507-00	.LEAD, IGNITION SWITCH RELAY	1				
20	64D-82581-00	.STAY, CORD CLAMP	2				
21	97303-05012	.BOLT	2				
22	92903-05100	.WASHER, SPRING	2				
23	95303-05700	.NUT	2				
24	6K1-82571-02	PLATE, PANEL SWITCH	1				



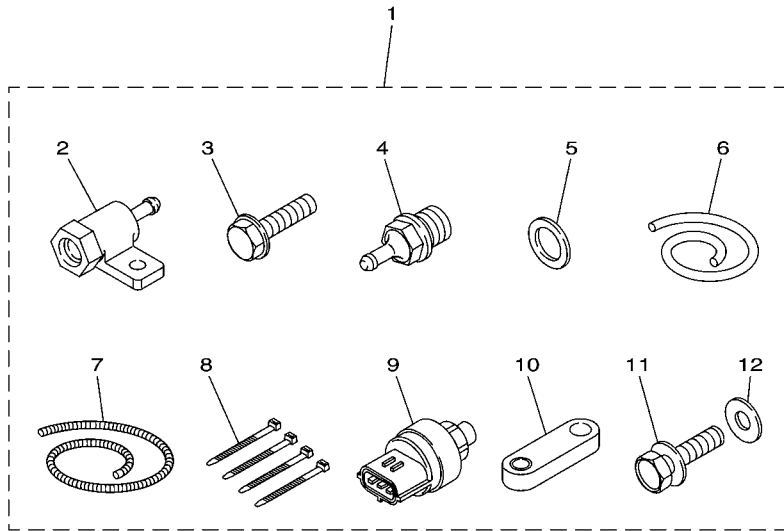
6Y82110-E030

FIG. 3 ALTERNATE 1

REF. NO.	PART NO.	DESCRIPTION	6Y82				REMARKS
1	6Y8-83688-01	TRANSOM MOUNT TRIDUCER	1				
2	6Y8-83688-11	PLASTIC THURU-HULL TRIDUCER	1				
3	6Y8-83688-20	BRONZE THURU-HULL TRIDUCER	1				
4	6Y8-82521-01	1FT PIGTAIL BUS	1				UR
	6Y8-82521-11	2FT PIGTAIL BUS	1				UR
	6Y8-82521-21	3FT PIGTAIL BUS	1				UR
	6Y8-82521-31	6FT PIGTAIL BUS	1				UR
	6Y8-82521-41	9FT PIGTAIL BUS	1				UR
	6Y8-82521-51	12FT PIGTAIL BUS	1				UR

Cooling water pressure sensor

Models: F50, T50, F60, T60, F75, F90, (L)F115,
(L)Z150, VZ150, (V)Z175, (L)Z200,
VZ200, VZ225, (L)Z250, VZ250, (L)Z300, VZ300



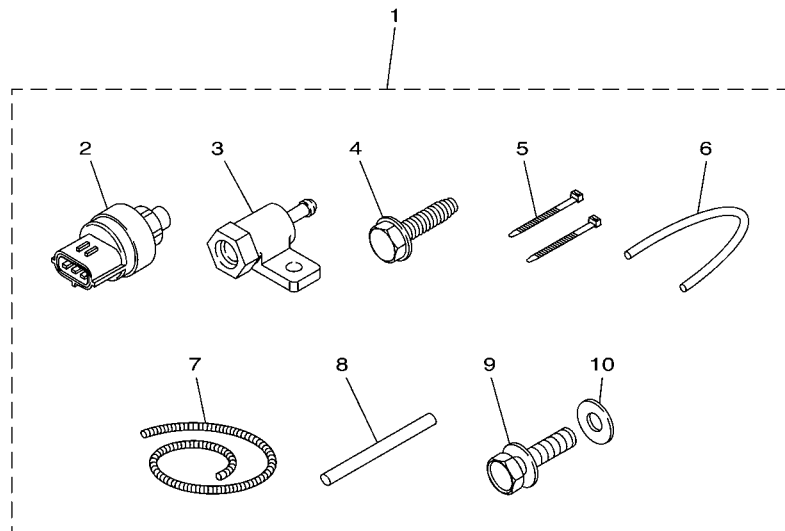
6Y82110-E040

FIG. 4 ALTERNATE 2

REF. NO.	PART NO.	DESCRIPTION	6Y82				REMARKS
1	60V-8A4L0-01	WATER PRESSURE SENSOR KIT	1				LM
2	60V-8366D-00	.ADAPTOR, INPUT	1				
3	95895-06025	.BOLT, FLANGE	1				EXCEPT F50/T50/F60/T60
4	60V-83667-00	.SENDER, WATER PRESSURE	1				
5	90430-14115	.GASKET	1				
6	90445-07018	.HOSE (L: 1400MM)	1				
7	90447-07015	.HOSE, COVER (L: 1300MM)	1				
8	90465-11M10	.CLAMP	4				
9	6Y5-8366B-00	.SENSOR, WATER PRESSURE	1				
10	60V-8257V-00	.PLATE, CONNECTOR	1				HPDI MODELS
11	97095-06016	.BOLT	1				F50/T50/F60/T60
12	92995-06600	.WASHER	1				F50/T50/F60/T60

Speed sensor

All models



6Y82110-E060

FIG. 6 ALTERNATE 4

REF. NO.	PART NO.	DESCRIPTION	6Y82				REMARKS
1	60V-8A4L1-01	SPEED SENSOR KIT	1				LM
2	6Y5-8366B-00	.SENSOR, WATER PRESSURE	1				
3	60V-8366D-00	.ADAPTOR, INPUT	1				
4	90109-06M81	.BOLT	1				
5	90465-11M10	.CLAMP	2				
6	90445-07017	.HOSE (L: 550MM)	1				
7	90447-07013	.HOSE, COVER (L: 700MM)	1				
8	60V-42629-00	.SEAL	1				
9	97095-06016	.BOLT	1				
10	92995-06600	.WASHER	1				

NUMERICAL INDEX

PART NO.	REF. NO.	PART NO.	REF. NO.	PART NO.	REF. NO.	PART NO.	REF. NO.	PART NO.	REF. NO.	PART NO.	REF. NO.
60V-42629-00	6 - 8	6Y8-8356N-01	2 - 1								
6Y8-81920-01	2 - 2	60V-83667-00	4 - 4								
6Y8-81920-11	2 - 4	6Y5-8366B-00	4 - 9								
68V-81950-00	2 - 18		5 - 2								
6G1-82151-00	2 - 10		6 - 2								
6Y8-82507-00	2 - 19	63P-8366C-00	5 - 4								
6Y8-82510-01	2 - 13	69J-8366C-00	5 - 3								
6Y8-82521-01	2 - 8	60V-8366D-00	4 - 2								
	3 - 4		6 - 3								
6Y8-82521-11	2 - 8	6Y8-83688-01	3 - 1								
	3 - 4	6Y8-83688-11	3 - 2								
6Y8-82521-21	2 - 8	6Y8-83688-20	3 - 3								
	3 - 4	6Y8-84383-00	1 - 3								
6Y8-82521-31	2 - 8		1 - 6								
	3 - 4		1 - 9								
6Y8-82521-41	2 - 8		1 - 12								
	3 - 4		1 - 14								
6Y8-82521-51	2 - 8		1 - 16								
	3 - 4	6Y8-85371-01	2 - 3								
6Y8-82553-01	2 - 7	69J-8A4L0-00	5 - 1								
6Y8-82553-11	2 - 7	60V-8A4L0-01	4 - 1								
6Y8-82553-21	2 - 7	60V-8A4L1-01	6 - 1								
6Y8-82553-31	2 - 7	90109-06M81	6 - 4								
6Y8-82553-41	2 - 7	90430-14115	4 - 5								
6Y8-82553-50	2 - 7		5 - 5								
682-82556-00	2 - 16	90445-07017	6 - 6								
6Y8-82570-01	2 - 11	90445-07018	4 - 6								
6Y8-82571-01	2 - 12	90447-07013	6 - 7								
6K1-82571-02	2 - 24	90447-07015	4 - 7								
6K1-82575-00	2 - 15	90465-11M10	4 - 8								
676-82577-00	2 - 14		6 - 5								
60V-8257V-00	4 - 10	92903-05100	2 - 22								
64D-82581-00	2 - 20	92995-06600	4 - 12								
6Y8-82582-01	2 - 5		6 - 10								
6Y8-82582-11	2 - 6	95303-05700	2 - 23								
6Y8-83363-00	1 - 2	95895-06025	4 - 3								
	1 - 5	97095-06016	4 - 11								
	1 - 8		6 - 9								
	1 - 11	97303-05012	2 - 21								
6R5-83383-00	2 - 17										
6Y8-83500-01	1 - 10										
6Y8-83500-11	1 - 15										
6Y8-8350F-01	1 - 7										
6Y8-8350S-01	1 - 4										
6Y8-8350T-01	1 - 1										
6Y8-8350T-11	1 - 13										
6Y8-83514-00	1 - 17										
6Y8-83553-01	2 - 9										