

PARTS CATALOGUE

RIGGING-FUEL TANK



1U601-10FEA

()

RIGGING-FUEL TANK
PARTS CATALOGUE
©2020 by Yamaha Motor Co., Ltd.
1st edition, October 2020
All rights reserved.
Any reprinting or unauthorized use
without the written permission of
Yamaha Motor Co., Ltd.
is expressly prohibited.
Printed in Japan.

FOREWORD

This Parts Catalogue is related to the parts for the model(s) on the cover page. When you are ordering replacement parts, please refer to this Parts Catalogue and quote both part numbers and part names correctly.

1. Modifications or additions which have been made after the issue of the Parts Catalogue will be announced in the Parts News.
It is advisable that you make the necessary corrections to the Parts Catalogue according to the Parts News.

2. Abbreviations

The following abbreviations are used in this Parts Catalogue.

“UR” Use specified parts number.

“UN” Use as many as needed.

“AP” Alternate Parts

“LM” Locally Made (Parts need to be ordered locally)

“F#” Frame No. (Applicable machine No.)

“O/S” Over Size

3. The number of components for assembly

- Parts, which are to be supplied in an assembly, are listed with a dot (.) in front of the part name as shown below.
- The numeral appearing to the right of each component part indicates the quantity of parts for each assembly unit.

PART NO.	DESCRIPTION	Q'TY	REMARKS
2F5-83310-60	FRONT FLASHER LIGHT ASSY	2	
115-83311-60	.BULB (6V-18W)	1	

4. Applicable colours of graphics are represented in the “REMARKS” as shown below.

PART NO.	DESCRIPTION	Q'TY	REMARKS
2N4-24110-00-X5	FUEL TANK COMP.	2	MXR
3J1-24240-10	.GRAPHIC, FUEL TANK	1	FOR MXR

5. Note that the illustrations for reference in finding parts numbers are not to be used for assembling. When assembling, please use the applicable service manual.

6. The asterisk (*) before a reference number indicates modified items after the first edition.

CONTENTS

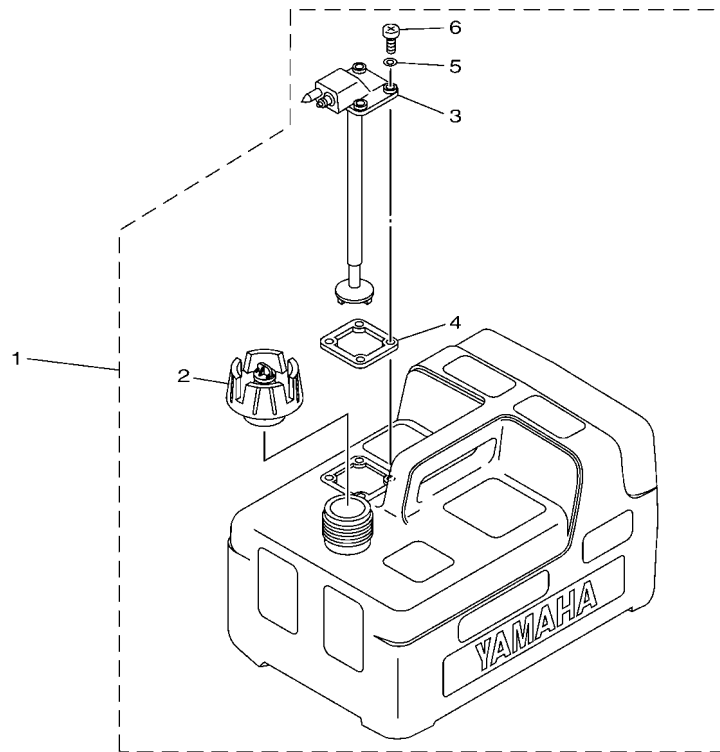
FUEL TANK 1.....	1
FUEL TANK 2.....	2
FUEL TANK 3.....	3
FUEL TANK 4.....	4
FUEL TANK 5.....	5
FUEL PIPE.....	6

INDEX

NUMERICAL INDEX.....	7
----------------------	---

FUEL TANK (12L)

Part No.	Capacity L (US gal)	Material	Description
6YL-24201-07	12 (3.2)	Plastic	with fuel gauge



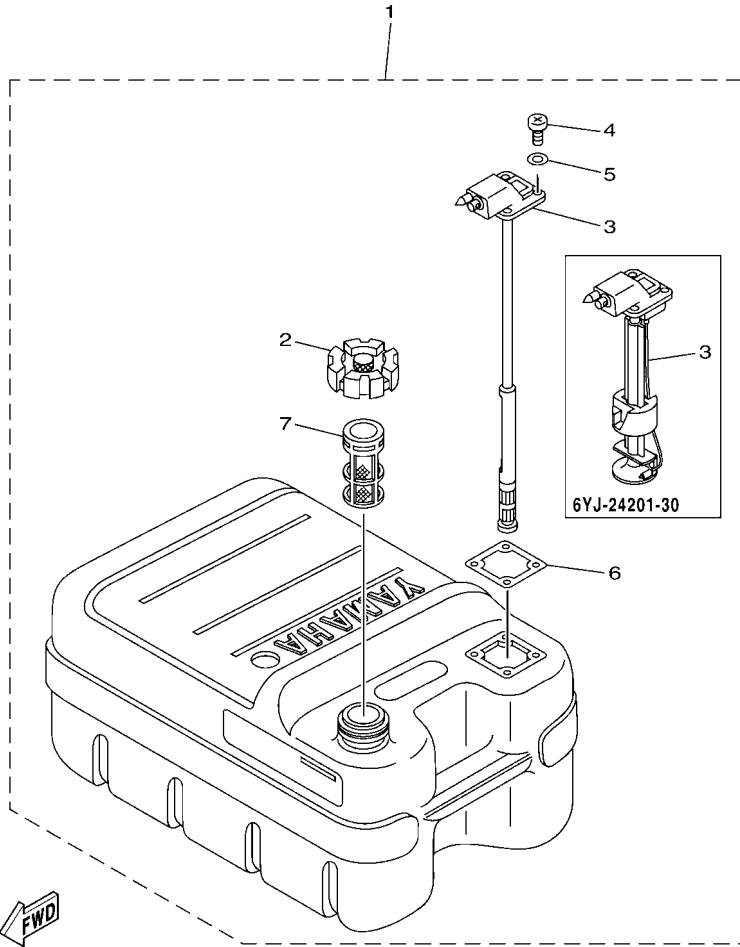
601F10F-T010

FIG. 1 FUEL TANK 1

REF. NO.	PART NO.	DESCRIPTION	601F	REMARKS
1	6YL-24201-07	FUEL TANK ASSY (12L)	1	
2	6YK-24610-10	.CAP ASSY	1	WITHOUT INDICATOR
3	6YL-24260-10	.FUEL METER ASSY	1	
4	6YL-24268-01	.GASKET, FUEL METER	1	
5	6YL-24329-00	.SEAL	4	
6	90157-05M16	.SCREW, PAN HEAD	4	

FUEL TANK (24L)

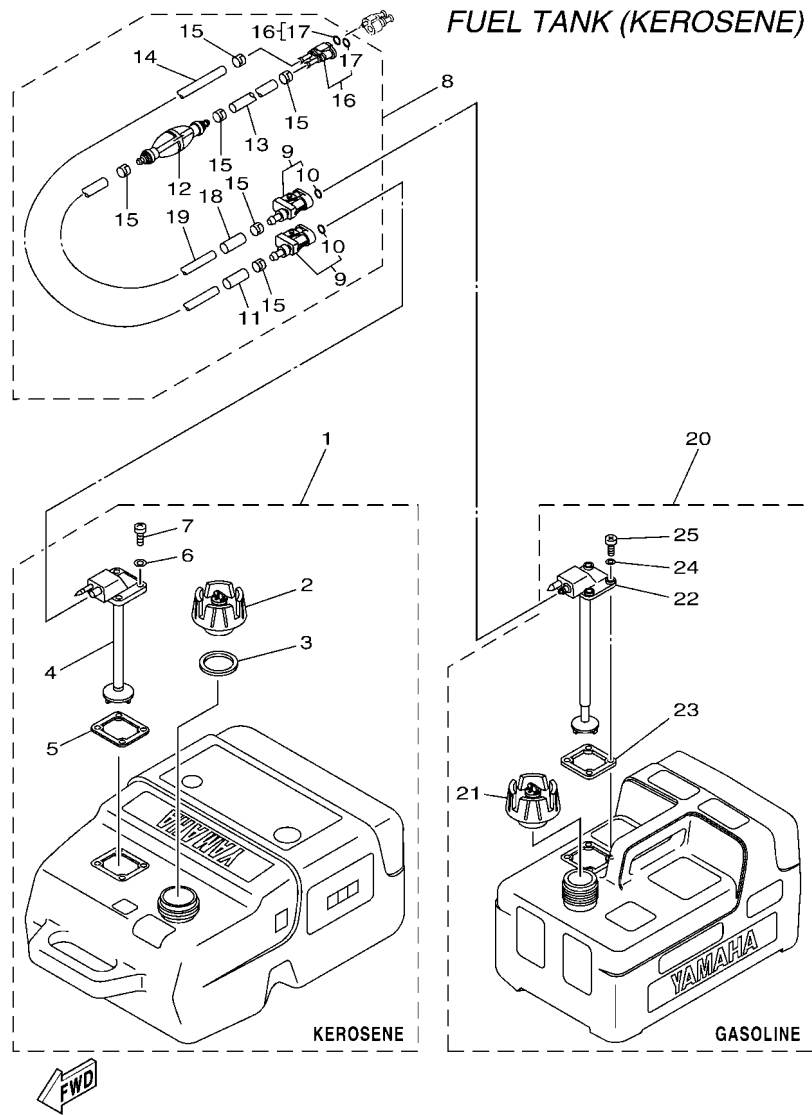
Part No.	Capacity L (US gal)	Material
6YJ-24201-20	24 (6.3)	Plastic
6YJ-24201-30	24 (6.3)	Plastic



601F10F-S020

FIG. 2 FUEL TANK 2

REF. NO.	PART NO.	DESCRIPTION	601F		REMARKS
1	6YJ-24201-20	FUEL TANK ASSY (24L)	1		UR
	6YJ-24201-30	FUEL TANK ASSY (24L)	1		UR
2	6YJ-24610-01	.CAP ASSY	1		
3	6YJ-24260-10	.FUEL METER ASSY	1		FOR 6YJ-24201-20
	6YJ-24260-30	.FUEL METER ASSY	1		FOR 6YJ-24201-30
4	90157-05M19	.SCREW, PAN HEAD	4		
5	6Y1-24329-00	.SEAL	4		
6	6Y1-24268-00	.GASKET, FUEL METER	1		
7	6YJ-24167-00	.STRAINER	1		

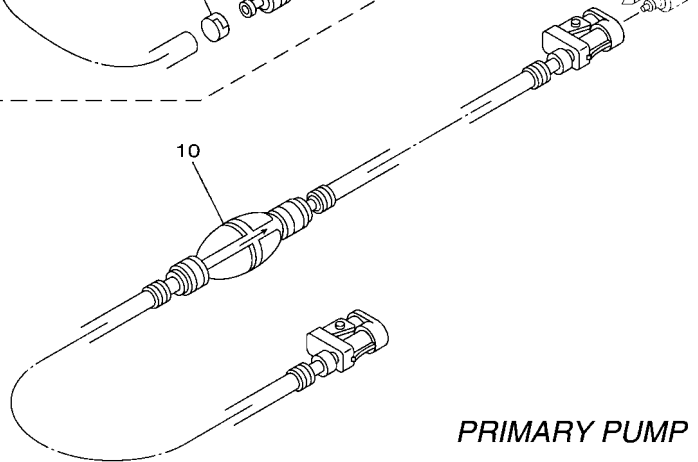
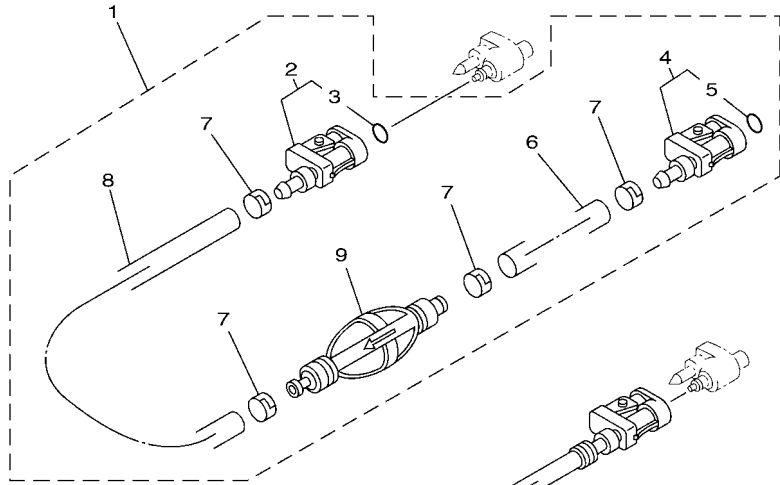


601F10F-T040

FIG. 3 FUEL TANK 3

REF. NO.	PART NO.	DESCRIPTION	601F				REMARKS
1	6YK-24201-22	FUEL TANK ASSY (25L,KEROSENE)	1				KEROSENE
2	6YK-24610-10	.CAP ASSY	1				WITHOUT INDICATOR
3	6YL-24641-00	.GASKET, CAP 1	1				
4	6YK-24260-10	.FUEL METER ASSY	1				
5	6YL-24268-01	.GASKET, FUEL METER	1				
6	6YL-24329-00	.SEAL	4				
7	90157-05M16	.SCREW, PAN HEAD	4				
8	6YK-24306-04	FUEL PIPE COMP. 1	1				
9	6Y1-24305-06	.FUEL PIPE JOINT COMP. 2	2				
10	93210-08287	..O-RING	1				
11	6Y1-24397-10	.COLLAR (KEROSENE)	1				
12	61J-24360-00	.PRIMER PUMP ASSY	1				
13	90445-11M05	.HOSE (L850)	1				
14	90445-11M81	.HOSE (L3000)	1				
15	650-24351-51	.BAND 1	6				
16	680-24305-01	.FUEL PIPE JOINT COMP. 2	1				
17	93210-08287	..O-RING	2				
18	6Y1-24397-00	.COLLAR (GASOLINE)	1				
19	90445-11M06	.HOSE (L2050)	1				
20	6YL-24201-07	FUEL TANK ASSY (12L)	1				GASOLINE
21	6YK-24610-10	.CAP ASSY	1				WITHOUT INDICATOR
22	6YL-24260-10	.FUEL METER ASSY	1				
23	6YL-24268-01	.GASKET, FUEL METER	1				
24	6YL-24329-00	.SEAL	4				
25	90157-05M16	.SCREW, PAN HEAD	4				

FUEL PIPE



PRIMARY PUMP

FWD
601F10F-M070

FIG. 6 FUEL PIPE

REF. NO.	PART NO.	DESCRIPTION	601F				REMARKS
1	6Y1-24306-55	FUEL PIPE COMP. 1	1				UR
	61J-24306-04	FUEL PIPE COMP. 1	1				UR
2	6G1-24305-05	.FUEL PIPE JOINT COMP. 2	1				
3	93210-08287	..O-RING	1				
4	6Y1-24305-06	.FUEL PIPE JOINT COMP. 2	1				
5	93210-08287	..O-RING	1				
6	90445-11M06	.HOSE (L2050)	1				
7	650-24351-51	.BAND 1	4				
8	90445-11M05	.HOSE (L850)	1				
9	6Y1-24360-52	.PRIMER PUMP ASSY	1				FOR 6Y1-24306-55
	61J-24360-00	.PRIMER PUMP ASSY	1				FOR 61J-24306-04
10	6YK-24306-64	FUEL PIPE COMP. 1	1				
11	6YK-24360-73	PRIMER PUMP ASSY	1				UR
	6YL-24360-51	PRIMER PUMP ASSY	1				UR

NUMERICAL INDEX

PART NO.	REF. NO.	PART NO.	REF. NO.	PART NO.	REF. NO.	PART NO.	REF. NO.	PART NO.	REF. NO.	PART NO.	REF. NO.
6YJ-24167-00	2 - 7	90157-05M19	2 - 4								
6YL-24201-07	1 - 1	90445-11M05	3 - 13								
	3 - 20		6 - 8								
6YJ-24201-20	2 - 1	90445-11M06	3 - 19								
6YK-24201-22	3 - 1		6 - 6								
6YL-24201-25	4 - 1	90445-11M81	3 - 14								
6YJ-24201-30	2 - 1	93210-08287	3 - 10								
6YK-24201-44	5 - 1		3 - 17								
6YJ-24260-10	2 - 3		6 - 3								
6YK-24260-10	3 - 4		6 - 5								
6YL-24260-10	1 - 3										
	3 - 22										
6YJ-24260-30	2 - 3										
6Y1-24268-00	2 - 6										
6YL-24268-01	1 - 4										
	3 - 5										
	3 - 23										
680-24305-01	3 - 16										
6G1-24305-05	6 - 2										
6Y1-24305-06	3 - 9										
	6 - 4										
61J-24306-04	6 - 1										
6YK-24306-04	3 - 8										
6Y1-24306-55	6 - 1										
6YK-24306-64	6 - 10										
6Y1-24329-00	2 - 5										
6YL-24329-00	1 - 5										
	3 - 6										
	3 - 24										
650-24351-51	3 - 15										
	6 - 7										
61J-24360-00	3 - 12										
	6 - 9										
6YL-24360-51	6 - 11										
6Y1-24360-52	6 - 9										
6YK-24360-73	6 - 11										
6Y1-24397-00	3 - 18										
6Y1-24397-10	3 - 11										
6YJ-24610-01	2 - 2										
6YK-24610-10	1 - 2										
	3 - 2										
	3 - 21										
6YL-24610-10	4 - 2										
	5 - 2										
6YL-24641-00	3 - 3										
90157-05M16	1 - 6										
	3 - 7										
	3 - 25										