



**PARTS
CATALOGUE
CATALOGUE
DE PIÈCES DÉTACHÉES**

RIGGING-FUEL TANK



1H602-30FF1

()

RIGGING-FUEL TANK
PARTS CATALOGUE
©2009 by Yamaha Motor Co., Ltd.
1st edition, April 2009
All rights reserved.
Any reprinting or unauthorized use
without the written permission of
Yamaha Motor Co., Ltd.
is expressly prohibited.
Printed in Japan.

RIGGING-FUEL TANK
CATALOGUE DE PIECES DETACHEES
©2009 par Yamaha Motor Co., Ltd.
1^{re} édition, avril 2009
Tous droits réservés
Toute réimpression ou utilisation
non autorisée sans la permission écrite
de la Yamaha Motor Co., Ltd.
est formellement interdite.
Imprimé au Japon

FOREWORD

This Parts Catalogue is related to the parts for the model(s) on the cover page. When you are ordering replacement parts, please refer to this Parts Catalogue and quote both part numbers and part names correctly.

1. Modifications or additions which have been made after the issue of the Parts Catalogue will be announced in the Parts News.

It is advisable that you make the necessary corrections to the Parts Catalogue according to the Parts News.

2. Abbreviations

The following abbreviations are used in this Parts Catalogue.

“UR” Use specified parts number.

“UN” Use as many as needed.

“AP” Alternate Parts

“LM” Locally Made (Parts need to be ordered locally)

“F#” Frame No. (Applicable machine No.)

“O/S” Over Size

3. The number of components for assembly

- Parts, which are to be supplied in an assembly, are listed with a dot (.) in front of the part name as shown below.
- The numeral appearing to the right of each component part indicates the quantity of parts for each assembly unit.

| PART NO. | DESCRIPTION | Q'TY | REMARKS |
|--------------|--------------------------|------|---------|
| 2F5-83310-60 | FRONT FLASHER LIGHT ASSY | 2 | |
| 115-83311-60 | .BULB (6V-18W) | 1 | |

4. Applicable colours of graphics are represented in the “REMARKS” as shown below.

| PART NO. | DESCRIPTION | Q'TY | REMARKS |
|-----------------|---------------------|------|---------|
| 2N4-24110-00-X5 | FUEL TANK COMP. | 2 | MXR |
| 3J1-24240-10 | .GRAPHIC, FUEL TANK | 1 | FOR MXR |

5. Note that the illustrations for reference in finding parts numbers are not to be used for assembling. When assembling, please use the applicable service manual.

6. The asterisk (*) before a reference number indicates modified items after the first edition.

AVANT-PROPOS

Ce catalogue de pièces détachées concerne les pièces pour le(s) modèle(s) indiqué(s) sur la page de couverture. Lorsque vous commandez des pièces de rechange, veuillez vous référer à ce catalogue de pièces détachées et indiquer clairement les numéros et les noms des pièces détachées.

1. Les modifications ou ajouts ayant été effectués après la parution du catalogue de pièces détachées seront décrits dans les Bulletins d'information concernant les pièces détachées.

Il est recommandé que vous apportiez les corrections nécessaires au catalogue des pièces détachées en vous référant aux Bulletins d'information.

2. Abréviations

Dans ce catalogue, les abréviations suivantes sont utilisées:

“UR” Utiliser le numéro de pièces spécifié.

“UN” Utiliser autant que nécessaire.

“AP” Pièces de substitution

“LM” Fabrication locale (les pièces doivent être commandées localement.)

“F#” N° de cadre (applicable au N° de série)

“O/S” Surdimensionné

3. Nombre de pièces d'un assemblage

- Les pièces fournies comme composants d'un assemblage sont précédées d'un point (.) de la manière indiquée ci-dessous.
- Le chiffre apparaissant à la droite de chaque composant indique la quantité de pièces pour chaque unité d'assemblage.

| N° PIECES | DESCRIPTION | QTE | REMARQUES |
|--------------|-----------------------|-----|-----------|
| 2F5-83310-60 | ENS. CLIGNOTANT AVANT | 2 | |
| 115-83311-60 | .AMPOULE (6V-18W) | 1 | |

4. Les couleurs concernant les graphiques sont indiquées dans la colonne “REMARQUES”, comme indiqué ci-dessous.

| N° PIECES | DESCRIPTION | QTE | REMARQUES |
|-----------------|----------------------|-----|-----------|
| 2N4-24110-00-X5 | RESERVOIR A ESSENCE. | 2 | MXR |
| 3J1-24240-10 | .GRAPHIQUE | 1 | POUR MXR |

5. Veuillez noter que les illustrations sont indiquées à titre de référence pour trouver les numéros de pièces, non pour être utilisées lors de l'assemblage. Lors de l'assemblage, veuillez utiliser le manuel d'entretien adéquat.

6. L'astérisque (*) placé devant un numéro de référence indique des éléments qui ont été modifiés après la première édition.

CONTENTS

| | |
|-------------------|---|
| FUEL TANK 1 | 1 |
| FUEL TANK 2 | 2 |
| FUEL TANK 3 | 3 |
| FUEL TANK 4 | 4 |
| FUEL PIPE | 5 |

INDEX

| | |
|-----------------------|---|
| NUMERICAL INDEX | 6 |
|-----------------------|---|

TABLE DES MATIERES

| | |
|-------------------------------|---|
| RESERVOIR A CARBURANT 1 | 1 |
| RESERVOIR A CARBURANT 2 | 2 |
| RESERVOIR A CARBURANT 3 | 3 |
| RESERVOIR A CARBURANT 4 | 4 |
| DURITE A ESSENCE | 5 |
| INDEX | |
| INDEX NUMERIQUE | 6 |

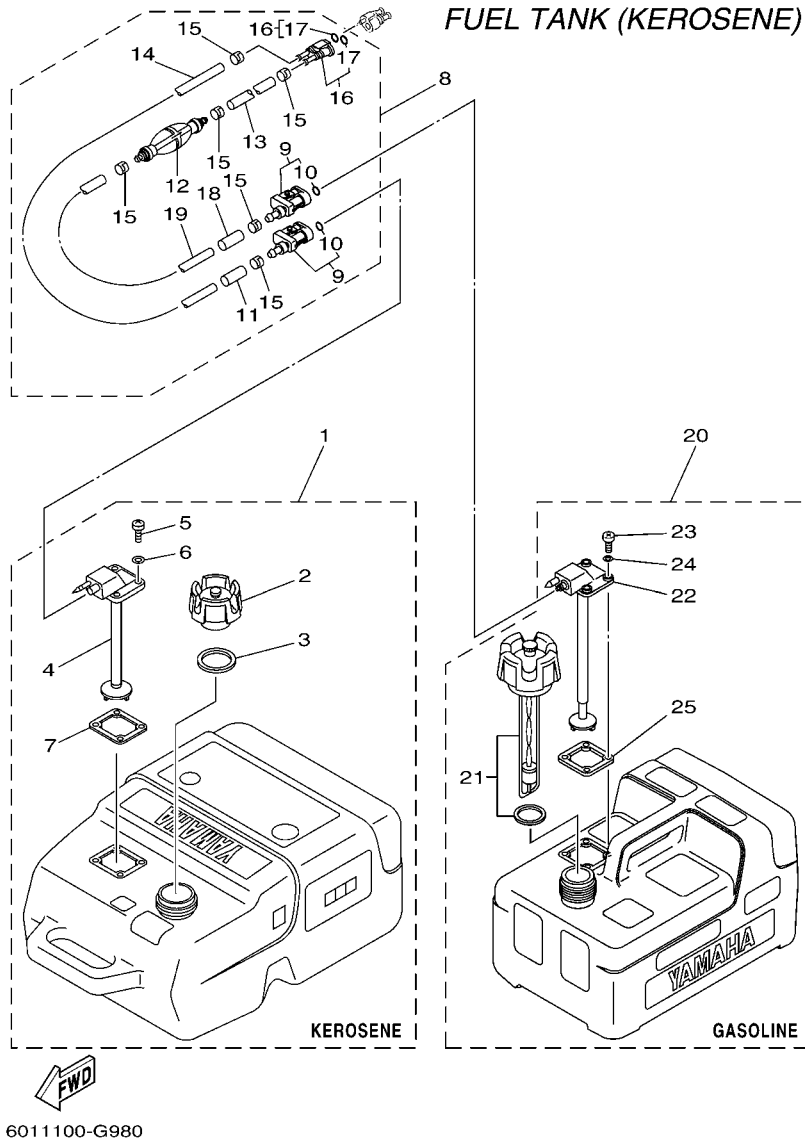
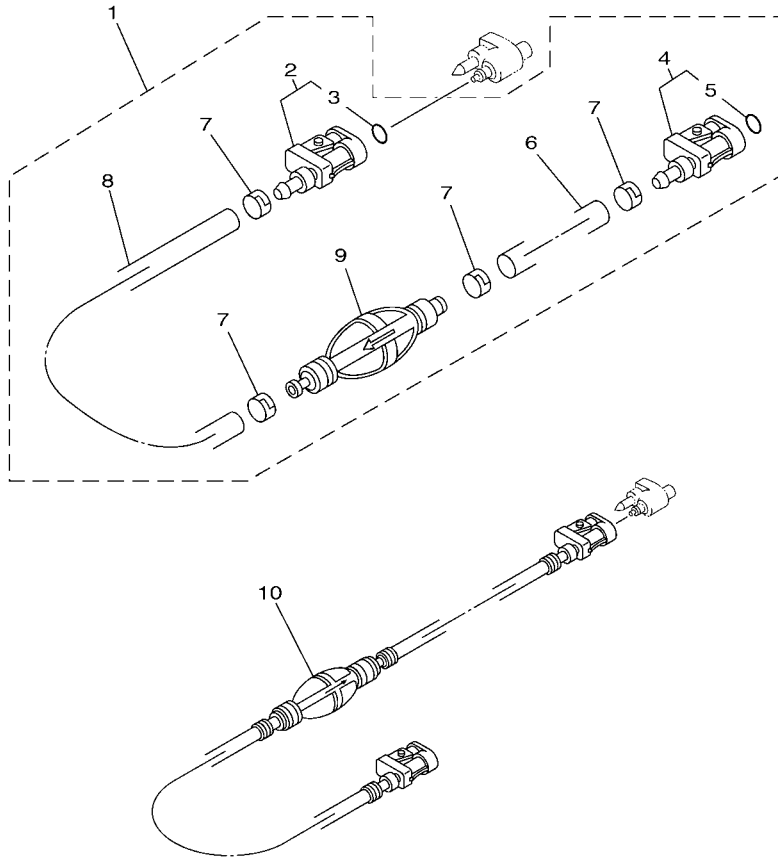


FIG. 4 FUEL TANK 4

RESERVOIR A CARBURANT 4

| REF. NO. | PART NO. N° PIECES | DESCRIPTION DESCRIPTION | 602F | | | REMARKS REMARQUES |
|----------|--------------------|--|------|--|--|--|
| 1 | 6YK-24201-21 | FUEL TANK ASSY (25L,KEROSENE) RESERVOIR A ESSENCE (ENS.)25L | 1 | | | KEROSENE KEROSENE |
| 2 | 6YK-24610-10 | .CAP ASSY .BOUCHON | 1 | | | WITHOUT INDICATOR WITHOUT INDICATOR |
| 3 | 6YL-24641-00 | .GASKET, CAP 1 .JOINT 1, BOUCHON | 1 | | | |
| 4 | 6YK-24260-01 | .FUEL METER ASSY .INDICATEUR DE CARBURANT | 1 | | | |
| 5 | 90157-05M16 | .SCREW, PAN HEAD .VIS, TETE TRONCONIQUE | 4 | | | |
| 6 | 6YL-24329-00 | .SEAL .JOINT | 4 | | | |
| 7 | 6YL-24268-01 | .GASKET, FUEL METER .JOINT, JAUGE A CARBURANT | 1 | | | |
| 8 | 6YK-24306-04 | FUEL PIPE COMP. 1 DURITE A ESSENCE 1 | 1 | | | |
| 9 | 6Y1-24305-06 | .FUEL PIPE JOINT COMP. 2 .DURITE RACCORDEMT. A ESSENCE | 2 | | | |
| 10 | 93210-08287 | ..O-RING ..JOINT TORIQUE | 1 | | | |
| 11 | 6Y1-24397-10 | .COLLAR (KEROSENE) .COLLIER (KEROSENE) | 1 | | | |
| 12 | 61J-24360-00 | .PRIMER PUMP ASSY .POMPE D'AMORCAGE | 1 | | | |
| 13 | 90445-11M05 | .HOSE (L850) .DURITE (L850) | 1 | | | |
| 14 | 90445-11M81 | .HOSE (L3000) .DURITE (L3000) | 1 | | | |
| 15 | 650-24351-01 | .BAND 1 .COLLIER 1 | 6 | | | |
| 16 | 680-24305-01 | .FUEL PIPE JOINT COMP. 2 .DURITE RACCORDEMT. A ESSENCE | 1 | | | |
| 17 | 93210-08287 | ..O-RING ..JOINT TORIQUE | 2 | | | |
| 18 | 6Y1-24397-00 | .COLLAR (GASOLINE) .COLLIER (GASOLINE) | 1 | | | |
| 19 | 90445-11M06 | .HOSE (L2050) .DURITE (L2050) | 1 | | | |
| 20 | 6YL-24201-05 | FUEL TANK ASSY (12L) RESERVOIR A ESSENCE (ENS.) 12L | 1 | | | GASOLINE GASOLINE |
| 21 | 6YL-24610-01 | .CAP ASSY .BOUCHON | 1 | | | |
| 22 | 6YL-24260-01 | .FUEL METER ASSY .INDICATEUR DE CARBURANT | 1 | | | |
| 23 | 90157-05M16 | .SCREW, PAN HEAD .VIS, TETE TRONCONIQUE | 4 | | | |
| 24 | 6YL-24329-00 | .SEAL .JOINT | 4 | | | |
| 25 | 6YL-24268-01 | .GASKET, FUEL METER .JOINT, JAUGE A CARBURANT | 1 | | | |

FUEL PIPE



6011100-G990

FIG. 5 FUEL PIPE

DURITE A ESSENCE

| REF. NO. | PART NO. N° PIECES | DESCRIPTION DESCRIPTION | 602F | | | | REMARKS REMARQUES |
|----------|--------------------|---|------|--|--|--|--------------------------------------|
| 1 | 6Y1-24306-55 | FUEL PIPE COMP. 1 DURITE A ESSENCE 1 | 1 | | | | UR UR |
| | 6Y2-24306-56 | FUEL PIPE COMP. 1 DURITE A ESSENCE 1 | 1 | | | | UR UR |
| 2 | 6G1-24305-05 | .FUEL PIPE JOINT COMP. 2 .DURITE RACCORDEMT. A ESSENCE | 1 | | | | FOR 6Y1-24306-55 FOR 6Y1-24306-55 |
| | 6E5-24305-06 | .FUEL PIPE JOINT COMP. 2 .DURITE RACCORDEMT. A ESSENCE | 1 | | | | FOR 6Y2-24306-56 FOR 6Y2-24306-56 |
| 3 | 93210-08287 | ..O-RING ..JOINT TORIQUE | 1 | | | | |
| 4 | 6Y1-24305-06 | .FUEL PIPE JOINT COMP. 2 .DURITE RACCORDEMT. A ESSENCE | 1 | | | | FOR 6Y1-24306-55 FOR 6Y1-24306-55 |
| | 6Y2-24305-06 | .FUEL PIPE JOINT COMP. 2 .DURITE RACCORDEMT. A ESSENCE | 1 | | | | FOR 6Y2-24306-56 FOR 6Y2-24306-56 |
| 5 | 93210-08287 | ..O-RING ..JOINT TORIQUE | 1 | | | | |
| 6 | 90445-11M06 | .HOSE (L2050) .DURITE (L2050) | 1 | | | | FOR 6Y1-24306-55 FOR 6Y1-24306-55 |
| | 90445-13M01 | .HOSE (L2050) .DURITE (L2050) | 1 | | | | FOR 6Y2-24306-56 FOR 6Y2-24306-56 |
| 7 | 650-24351-51 | .BAND 1 .COLLIER 1 | 4 | | | | FOR 6Y1-24306-55 FOR 6Y1-24306-55 |
| | 6E5-24351-51 | .BAND 1 .COLLIER 1 | 4 | | | | FOR 6Y2-24306-56 FOR 6Y2-24306-56 |
| 8 | 90445-11M05 | .HOSE (L850) .DURITE (L850) | 1 | | | | FOR 6Y1-24306-55 FOR 6Y1-24306-55 |
| | 90445-13M00 | .HOSE (L850) .DURITE (L850) | 1 | | | | FOR 6Y2-24306-56 FOR 6Y2-24306-56 |
| 9 | 6Y1-24360-52 | .PRIMER PUMP ASSY .POMPE D'AMORCAGE | 1 | | | | FOR 6Y1-24306-55 FOR 6Y1-24306-55 |
| | 6Y2-24360-60 | .PRIMER PUMP ASSY .POMPE D'AMORCAGE | 1 | | | | FOR 6Y2-24306-56 FOR 6Y2-24306-56 |
| 10 | 6YL-24306-54 | FUEL PIPE COMP. 1 DURITE A ESSENCE 1 | 1 | | | | |

NUMERICAL INDEX
INDEX NUMERIQUE

| PART NO. N° PIECES | REF. NO. | PART NO. N° PIECES | REF. NO. | PART NO. N° PIECES | REF. NO. | PART NO. N° PIECES | REF. NO. | PART NO. N° PIECES | REF. NO. | PART NO. N° PIECES | REF. NO. |
|-----------------------|-------------|-----------------------|-------------|-----------------------|-------------|-----------------------|-------------|-----------------------|-------------|-----------------------|-------------|
| 6YJ-24167-00 | 2 - 7 | 6YL-24641-00 | 4 - 3 | | | | | | | | |
| 6YK-24201-03 | 3 - 1 | 90157-05M16 | 1 - 4 | | | | | | | | |
| 6YL-24201-05 | 1 - 1 | | 3 - 6 | | | | | | | | |
| | 4 - 20 | | 4 - 5 | | | | | | | | |
| 6YJ-24201-10 | 2 - 1 | | 4 - 23 | | | | | | | | |
| 6YK-24201-10 | 3 - 1 | 90157-05M19 | 2 - 4 | | | | | | | | |
| 6YK-24201-21 | 4 - 1 | 90445-11M05 | 4 - 13 | | | | | | | | |
| 6YJ-24201-50 | 2 - 1 | | 5 - 8 | | | | | | | | |
| 6YK-24260-01 | 3 - 5 | 90445-11M06 | 4 - 19 | | | | | | | | |
| | 4 - 4 | | 5 - 6 | | | | | | | | |
| 6YL-24260-01 | 1 - 3 | 90445-11M81 | 4 - 14 | | | | | | | | |
| | 4 - 22 | 90445-13M00 | 5 - 8 | | | | | | | | |
| 6Y1-24260-12 | 2 - 3 | 90445-13M01 | 5 - 6 | | | | | | | | |
| 6Y1-24268-00 | 2 - 6 | 93210-08287 | 4 - 10 | | | | | | | | |
| 6YL-24268-01 | 1 - 6 | | 4 - 17 | | | | | | | | |
| | 3 - 2 | | 5 - 3 | | | | | | | | |
| | 4 - 7 | | 5 - 5 | | | | | | | | |
| | 4 - 25 | | | | | | | | | | |
| 680-24305-01 | 4 - 16 | | | | | | | | | | |
| 6G1-24305-05 | 5 - 2 | | | | | | | | | | |
| 6E5-24305-06 | 5 - 2 | | | | | | | | | | |
| 6Y1-24305-06 | 4 - 9 | | | | | | | | | | |
| | 5 - 4 | | | | | | | | | | |
| 6Y2-24305-06 | 5 - 4 | | | | | | | | | | |
| 6YK-24306-04 | 4 - 8 | | | | | | | | | | |
| 6YL-24306-54 | 5 - 10 | | | | | | | | | | |
| 6Y1-24306-55 | 5 - 1 | | | | | | | | | | |
| 6Y2-24306-56 | 5 - 1 | | | | | | | | | | |
| 6Y1-24329-00 | 2 - 5 | | | | | | | | | | |
| 6YL-24329-00 | 1 - 5 | | | | | | | | | | |
| | 3 - 7 | | | | | | | | | | |
| | 4 - 6 | | | | | | | | | | |
| | 4 - 24 | | | | | | | | | | |
| 650-24351-01 | 4 - 15 | | | | | | | | | | |
| 650-24351-51 | 5 - 7 | | | | | | | | | | |
| 6E5-24351-51 | 5 - 7 | | | | | | | | | | |
| 61J-24360-00 | 4 - 12 | | | | | | | | | | |
| 6Y1-24360-52 | 5 - 9 | | | | | | | | | | |
| 6Y2-24360-60 | 5 - 9 | | | | | | | | | | |
| 6Y1-24397-00 | 4 - 18 | | | | | | | | | | |
| 6Y1-24397-10 | 4 - 11 | | | | | | | | | | |
| 6YJ-24610-01 | 2 - 2 | | | | | | | | | | |
| 6YK-24610-01 | 3 - 3 | | | | | | | | | | |
| 6YL-24610-01 | 1 - 2 | | | | | | | | | | |
| | 4 - 21 | | | | | | | | | | |
| 6YK-24610-10 | 3 - 3 | | | | | | | | | | |
| | 4 - 2 | | | | | | | | | | |
| 6YL-24641-00 | 3 - 4 | | | | | | | | | | |