



**PARTS  
CATALOGUE  
CATALOGUE  
DE PIÈCES DÉTACHÉES**

# RIGGING-FUEL TANK

---



1G602-30FF1

( )

RIGGING-FUEL TANK  
PARTS CATALOGUE  
©2008 by Yamaha Motor Co., Ltd.  
1st edition, June 2008  
All rights reserved.  
Any reprinting or unauthorized use  
without the written permission of  
Yamaha Motor Co., Ltd.  
is expressly prohibited.  
Printed in Japan.

RIGGING-FUEL TANK  
CATALOGUE DE PIECES DETACHEES  
©2008 par Yamaha Motor Co., Ltd.  
1<sup>re</sup> édition, juin 2008  
Tous droits réservés  
Toute réimpression ou utilisation  
non autorisée sans la permission écrite  
de la Yamaha Motor Co., Ltd.  
est formellement interdite.  
Imprimé au Japon

# FOREWORD

This Parts Catalogue is related to the parts for the model(s) on the cover page. When you are ordering replacement parts, please refer to this Parts Catalogue and quote both part numbers and part names correctly.

1. Modifications or additions which have been made after the issue of the Parts Catalogue will be announced in the Parts News.

It is advisable that you make the necessary corrections to the Parts Catalogue according to the Parts News.

2. Abbreviations

The following abbreviations are used in this Parts Catalogue.

“UR” Use specified parts number.

“UN” Use as many as needed.

“AP” Alternate Parts

“LM” Locally Made (Parts need to be ordered locally)

“F#” Frame No. (Applicable machine No.)

“O/S” Over Size

3. The number of components for assembly

- Parts, which are to be supplied in an assembly, are listed with a dot (.) in front of the part name as shown below.
- The numeral appearing to the right of each component part indicates the quantity of parts for each assembly unit.

PART NO.	DESCRIPTION	Q'TY	REMARKS
2F5-83310-60	FRONT FLASHER LIGHT ASSY	2	
115-83311-60	.BULB (6V-18W)	1	

4. Applicable colours of graphics are represented in the “REMARKS” as shown below.

PART NO.	DESCRIPTION	Q'TY	REMARKS
2N4-24110-00-X5	FUEL TANK COMP.	2	MXR
3J1-24240-10	.GRAPHIC, FUEL TANK	1	FOR MXR

5. Note that the illustrations for reference in finding parts numbers are not to be used for assembling. When assembling, please use the applicable service manual.

6. The asterisk (\*) before a reference number indicates modified items after the first edition.

# AVANT-PROPOS

Ce catalogue de pièces détachées concerne les pièces pour le(s) modèle(s) indiqué(s) sur la page de couverture. Lorsque vous commandez des pièces de rechange, veuillez vous référer à ce catalogue de pièces détachées et indiquer clairement les numéros et les noms des pièces détachées.

1. Les modifications ou ajouts ayant été effectués après la parution du catalogue de pièces détachées seront décrits dans les Bulletins d'information concernant les pièces détachées.

Il est recommandé que vous apportiez les corrections nécessaires au catalogue des pièces détachées en vous référant aux Bulletins d'information.

2. Abréviations

Dans ce catalogue, les abréviations suivantes sont utilisées:

“UR” Utiliser le numéro de pièces spécifié.

“UN” Utiliser autant que nécessaire.

“AP” Pièces de substitution

“LM” Fabrication locale (les pièces doivent être commandées localement.)

“F#” N° de cadre (applicable au N° de série)

“O/S” Surdimensionné

3. Nombre de pièces d'un assemblage

- Les pièces fournies comme composants d'un assemblage sont précédées d'un point (.) de la manière indiquée ci-dessous.
- Le chiffre apparaissant à la droite de chaque composant indique la quantité de pièces pour chaque unité d'assemblage.

N° PIECES	DESCRIPTION	QTE	REMARQUES
2F5-83310-60	ENS. CLIGNOTANT AVANT	2	
115-83311-60	.AMPOULE (6V-18W)	1	

4. Les couleurs concernant les graphiques sont indiquées dans la colonne “REMARQUES”, comme indiqué ci-dessous.

N° PIECES	DESCRIPTION	QTE	REMARQUES
2N4-24110-00-X5	RESERVOIR A ESSENCE.	2	MXR
3J1-24240-10	.GRAPHIQUE	1	POUR MXR

5. Veuillez noter que les illustrations sont indiquées à titre de référence pour trouver les numéros de pièces, non pour être utilisées lors de l'assemblage. Lors de l'assemblage, veuillez utiliser le manuel d'entretien adéquat.

6. L'astérisque (\*) placé devant un numéro de référence indique des éléments qui ont été modifiés après la première édition.

# CONTENTS

FUEL TANK 1 .....	1
FUEL TANK 2 .....	2
FUEL TANK 3 .....	3
FUEL TANK 4 .....	4
FUEL PIPE .....	5

## INDEX

NUMERICAL INDEX .....	6
-----------------------	---

# TABLE DES MATIERES

RESERVOIR A CARBURANT 1 .....	1
RESERVOIR A CARBURANT 2 .....	2
RESERVOIR A CARBURANT 3 .....	3
RESERVOIR A CARBURANT 4 .....	4
DURITE A ESSENCE .....	5
<b>INDEX</b>	
INDEX NUMERIQUE .....	6

# CHAPTER 3

# FUEL EQUIPMENT

MODEL APPLICATION

1/2CYL.

DEVICE NAME	MODEL	DISTNATION (REMARKS)	FIG.NO. -REF.NO. (FIG.NO)	2 (6F8)	3 (6L5)	4 (6E0)	5 (6E3)	5 (6E4)	6(MBK) (6M8)	8(MBK) (6N0)
<b>1: FUEL TANK (12L)</b>										
6YL-24201-04		ALL	1-1, 4-20	*	*	*	*	*		
<b>2: FUEL TANK (24L)</b>										
6YJ-24201-10		EXCEPT USA/CANADA	2-1	*	*	*	*	*		
6YJ-24201-50		CANADA	2-1	*	*	*	*	*	*	*
<b>3: FUEL TANK (25L)</b>										
6YK-24201-02		EUR	3-1	*	*	*	*	*	*	*
6YK-24201-10		EUR	3-1	*	*	*	*	*	*	*
<b>4: FUEL TANK (25L KEROSENE)</b>										
6YK-24201-20		(KEROSENE)	4-1	*	*	*	*	*	*	*
<b>5: FUEL PIPE COMP</b>										
6Y1-24306-55		ALL	5-1	*	*	*	*	*	*	
6Y2-24306-56		ALL	5-1	*	*	*	*	*	*	*
6YK-24306-04		(KEROSENE)	4-8	*	*	*	*	*	*	*

\* NOT EQUIPED

# CHAPTER 3

# FUEL EQUIPMENT

## MODEL APPLICATION

## 1/2CYL.

DEVICE NAME	MODEL	DISTNATION (REMARKS)	FIG.NO. -REF.NO. (FIG.NO)	9.9 (63V)	15 (63W)	20 (6L3)	25 (6L2)
<b>1: FUEL TANK (12L)</b>							
6YL-24201-04		ALL	1-1, 4-20	*	*	*	*
<b>2: FUEL TANK (24L)</b>							
6YJ-24201-10		EXCEPT USA/CANADA	2-1				
6YJ-24201-50		CANADA	2-1				
<b>3: FUEL TANK (25L)</b>							
6YK-24201-02		EUR	3-1				
6YK-24201-10		EUR	3-1	*	*	*	*
<b>4: FUEL TANK (25L KEROSENE)</b>							
6YK-24201-20		(KEROSENE)	4-1	*	*	*	*
<b>5: FUEL PIPE COMP</b>							
6Y1-24306-55		ALL	5-1				
6Y2-24306-56		ALL	5-1			*	
6YK-24306-04		(KEROSENE)	4-8	*	*	*	*

\* NOT EQUIPED



# CHAPTER 3

# FUEL EQUIPMENT

## MODEL APPLICATION

## 3 CYL.

DEVICE NAME	MODEL	DISTINATION (REMARKS)	FIG. NO. -REF. NO. (FIG. NO)	30 (6J8)	40 (63B)	40 (63C)	40 (63D)	40 (68P)	50 (62W)	50 (62X)
<b>1: FUEL TANK (12L)</b>										
6YL-24201-04		ALL	1-1, 4-20	*	*	*	*	*	*	*
<b>2: FUEL TANK (24L)</b>										
6YJ-24201-10		EXCEPT USA/CANADA	2-1	*						
6YJ-24201-50		CANADA	2-1	*	*	*	*	*	*	*
<b>3: FUEL TANK (25L)</b>										
6YK-24201-02		EUR	3-1				*	*	*	*
6YK-24201-10		EUR	3-1	*	*	*	*	*	*	*
<b>4: FUEL TANK (25L KEROSENE)</b>										
6YK-24201-20		(KEROSENE)	4-1	*	*	*	*	*	*	*
<b>5: FUEL PIPE COMP</b>										
6Y1-24306-55		ALL	5-1	*	*	*	*	*	*	*
6Y2-24306-56		ALL	5-1	*	*	*	*	*	*	*
6YK-24306-04		(KEROSENE)	4-8	*	*	*	*	*	*	*

\* NOT EQUIPED

# CHAPTER 3

# FUEL EQUIPMENT

## MODEL APPLICATION

## 3 CYL.

DEVICE NAME	MODEL	DISTINATION (REMARKS)	FIG.NO. -REF.NO. (FIG.NO)	50 (63G)	60 (6H2)	70 (6H3)	75 (67P)	90 (6H1)
<b>1: FUEL TANK (12L)</b>								
6YL-24201-04		ALL	1-1, 4-20	*	*	*	*	*
<b>2: FUEL TANK (24L)</b>								
6YJ-24201-10		EXCEPT USA/CANADA	2-1					
6YJ-24201-50		CANADA	2-1	*	*	*	*	*
<b>3: FUEL TANK (25L)</b>								
6YK-24201-02		EUR	3-1	*	*			
6YK-24201-10		EUR	3-1	*	*	*	*	*
<b>4: FUEL TANK (25L KEROSENE)</b>								
6YK-24201-20		(KEROSENE)	4-1	*	*	*	*	*
<b>5: FUEL PIPE COMP</b>								
6Y1-24306-55		ALL	5-1	*	*	*	*	*
6Y2-24306-56		ALL	5-1	*	*			
6YK-24306-04		(KEROSENE)	4-8	*	*	*	*	*

\* NOT EQUIPED

# CHAPTER 3

# FUEL EQUIPMENT

## MODEL APPLICATION

## V4

DEVICE NAME	MODEL	DISTNATION (REMARKS)	FIG.NO. -REF.NO. (FIG.NO)	115 (6N6)	130 (6N7)
<b>1: FUEL TANK (12L)</b>					
6YL-24201-04		ALL	1-1, 4-20	*	*
<b>2: FUEL TANK (24L)</b>					
6YJ-24201-10		EXCEPT USA/CANADA	2-1		
6YJ-24201-50		CANADA	2-1	*	*
<b>3: FUEL TANK (25L)</b>					
6YK-24201-02		EUR	3-1	*	*
6YK-24201-10		EUR	3-1	*	*
<b>4: FUEL TANK (25L KEROSENE)</b>					
6YK-24201-20		(KEROSENE)	4-1	*	*
<b>5: FUEL PIPE COMP</b>					
6Y1-24306-55		ALL	5-1	*	*
6Y2-24306-56		ALL	5-1	*	*
6YK-24306-04		(KEROSENE)	4-8	*	*

\* NOT EQUIPED

CHAPTER 3

FUEL EQUIPMENT

MODEL APPLICATION

V6

DEVICE NAME	MODEL	DISTNATION (REMARKS)	FIG.NO. -REF.NO. (FIG.NO)	150 (6G4)	L150 (6K0)	150 (64C)	L150 (64G)	150 (64K)	175 (6G5)	175 (64D)
<b>1: FUEL TANK (12L)</b>										
6YL-24201-04		ALL	1-1, 4-20	*	*	*	*	*	*	*
<b>2: FUEL TANK (24L)</b>										
6YJ-24201-10		EXCEPT USA/CANADA	2-1		*		*	*	*	*
6YJ-24201-50		CANADA	2-1	*	*	*	*	*	*	*
<b>3: FUEL TANK (25L)</b>										
6YK-24201-02		EUR	3-1	*	*	*	*	*	*	*
6YK-24201-10		EUR	3-1	*	*	*	*	*	*	*
<b>4: FUEL TANK (25L KEROSENE)</b>										
6YK-24201-20		(KEROSENE)	4-1	*	*	*	*	*	*	*
<b>5: FUEL PIPE COMP</b>										
6Y1-24306-55		ALL	5-1	*	*	*	*	*	*	*
6Y2-24306-56		ALL	5-1	*	*	*	*	*	*	*
6YK-24306-04		(KEROSENE)	4-8	*	*	*	*	*	*	*

\* NOT EQUIPED

# CHAPTER 3

# FUEL EQUIPMENT

## MODEL APPLICATION

## V6

DEVICE NAME	MODEL	DISTNATION (REMARKS)	FIG.NO. -REF.NO. (FIG.NO)	200 (60H)	L200 (60J)	200 (64E)	L200 (64H)	200 (64M)	225 (64F)	250 (6S3)
<b>1: FUEL TANK (12L)</b>										
6YL-24201-04		ALL	1-1, 4-20	*	*	*	*	*	*	*
<b>2: FUEL TANK (24L)</b>										
6YJ-24201-10		EXCEPT USA/CANADA	2-1		*		*	*	*	
6YJ-24201-50		CANADA	2-1	*	*	*	*	*	*	*
<b>3: FUEL TANK (25L)</b>										
6YK-24201-02		EUR	3-1	*	*	*	*	*	*	*
6YK-24201-10		EUR	3-1	*	*	*	*	*	*	*
<b>4: FUEL TANK (25L KEROSENE)</b>										
6YK-24201-20		(KEROSENE)	4-1	*	*	*	*	*	*	*
<b>5: FUEL PIPE COMP</b>										
6Y1-24306-55		ALL	5-1	*	*	*	*	*	*	*
6Y2-24306-56		ALL	5-1	*	*	*	*	*	*	*
6YK-24306-04		(KEROSENE)	4-8	*	*	*	*	*	*	*

\* NOT EQUIPED

# CHAPTER 3

# FUEL EQUIPMENT

## MODEL APPLICATION

## V6

DEVICE NAME	MODEL	DISTINATION (REMARKS)	FIG.NO. -REF.NO. (FIG.NO)	L250 (6S4)
<b>1: FUEL TANK (12L)</b>				
6YL-24201-04		ALL	1-1, 4-20	*
<b>2: FUEL TANK (24L)</b>				
6YJ-24201-10		EXCEPT USA/CANADA	2-1	
6YJ-24201-50		CANADA	2-1	*
<b>3: FUEL TANK (25L)</b>				
6YK-24201-02		EUR	3-1	*
6YK-24201-10		EUR	3-1	*
<b>4: FUEL TANK (25L KEROSENE)</b>				
6YK-24201-20		(KEROSENE)	4-1	*
<b>5: FUEL PIPE COMP</b>				
6Y1-24306-55		ALL	5-1	*
6Y2-24306-56		ALL	5-1	*
6YK-24306-04		(KEROSENE)	4-8	*

\* NOT EQUIPED

# CHAPTER 3

# FUEL EQUIPMENT

## MODEL APPLICATION

## V6 HPDI

DEVICE NAME	MODEL	DISTNATION (REMARKS)	FIG.NO. -REF.NO. (FIG.NO)	Z150 (68H)	Z150 (68J)	LZ150 (68K)	Z175 (68L)	Z175 (68M)	Z200 (60F)	Z200 (68F)
<b>1: FUEL TANK (12L)</b>										
6YL-24201-04		ALL	1-1, 4-20	*	*	*	*	*	*	*
<b>2: FUEL TANK (24L)</b>										
6YJ-24201-10		EXCEPT USA/CANADA	2-1	*	*	*	*	*	*	*
6YJ-24201-50		CANADA	2-1	*	*	*	*	*	*	*
<b>3: FUEL TANK (25L)</b>										
6YK-24201-02		EUR	3-1	*	*	*	*	*	*	*
6YK-24201-10		EUR	3-1	*	*	*	*	*	*	*
<b>4: FUEL TANK (25L KEROSENE)</b>										
6YK-24201-20		(KEROSENE)	4-1	*	*	*	*	*	*	*
<b>5: FUEL PIPE COMP</b>										
6Y1-24306-55		ALL	5-1	*	*	*	*	*	*	*
6Y2-24306-56		ALL	5-1	*	*	*	*	*	*	*
6YK-24306-04		(KEROSENE)	4-8	*	*	*	*	*	*	*

\* NOT EQUIPED

# CHAPTER 3

# FUEL EQUIPMENT

## MODEL APPLICATION

## V6 HPDI

DEVICE NAME	MODEL	DISTNATION (REMARKS)	FIG.NO. -REF.NO. (FIG.NO)	LZ200 (68G)	Z200 (6P5)	Z225 (60Y)	Z250 (60X)	Z300 (6C9)	Z300 (6D0)	LZ300 (6D1)
<b>1: FUEL TANK (12L)</b>										
6YL-24201-04		ALL	1-1, 4-20	*	*	*	*	*	*	*
<b>2: FUEL TANK (24L)</b>										
6YJ-24201-10		EXCEPT USA/CANADA	2-1	*	*	*	*	*	*	*
6YJ-24201-50		CANADA	2-1	*	*	*	*	*	*	*
<b>3: FUEL TANK (25L)</b>										
6YK-24201-02		EUR	3-1	*	*	*	*	*	*	*
6YK-24201-10		EUR	3-1	*	*	*	*	*	*	*
<b>4: FUEL TANK (25L KEROSENE)</b>										
6YK-24201-20		(KEROSENE)	4-1	*	*	*	*	*	*	*
<b>5: FUEL PIPE COMP</b>										
6Y1-24306-55		ALL	5-1	*	*	*	*	*	*	*
6Y2-24306-56		ALL	5-1	*	*	*	*	*	*	*
6YK-24306-04		(KEROSENE)	4-8	*	*	*	*	*	*	*

\* NOT EQUIPED



# CHAPTER 3

# FUEL EQUIPMENT

## MODEL APPLICATION

## ORIGIN

DEVICE NAME	MODEL	DISTINATION (REMARKS)	FIG. NO. -REF. NO. (FIG. NO)	25 (69R)	25 (69X)	30 (69S)	55 (697)	55 (63S)	75 (692)	85 (688)
<b>1: FUEL TANK (12L)</b>										
6YL-24201-04		ALL	1-1, 4-20	*	*	*	*	*	*	*
<b>2: FUEL TANK (24L)</b>										
6YJ-24201-10		EXCEPT USA/CANADA	2-1				*			
6YJ-24201-50		CANADA	2-1	*	*	*	*	*	*	*
<b>3: FUEL TANK (25L)</b>										
6YK-24201-02		EUR	3-1	*	*	*	*	*	*	*
6YK-24201-10		EUR	3-1	*	*	*	*	*	*	*
<b>4: FUEL TANK (25L KEROSENE)</b>										
6YK-24201-20		(KEROSENE)	4-1	*	*	*	*	*	*	*
<b>5: FUEL PIPE COMP</b>										
6Y1-24306-55		ALL	5-1				*	*	*	*
6Y2-24306-56		ALL	5-1	*	*	*	*	*	*	*
6YK-24306-04		(KEROSENE)	4-8	*	*	*	*	*	*	*

\* NOT EQUIPED

# CHAPTER 3

# FUEL EQUIPMENT

## MODEL APPLICATION

## ORIGIN

DEVICE NAME	MODEL	DISTNATION (REMARKS)	FIG.NO. -REF.NO. (FIG.NO)	115 (6E5)	140 (6F3)
<b>1: FUEL TANK (12L)</b>					
6YL-24201-04		ALL	1-1, 4-20	*	*
<b>2: FUEL TANK (24L)</b>					
6YJ-24201-10		EXCEPT USA/CANADA	2-1		
6YJ-24201-50		CANADA	2-1	*	*
<b>3: FUEL TANK (25L)</b>					
6YK-24201-02		EUR	3-1	*	*
6YK-24201-10		EUR	3-1	*	*
<b>4: FUEL TANK (25L KEROSENE)</b>					
6YK-24201-20		(KEROSENE)	4-1	*	*
<b>5: FUEL PIPE COMP</b>					
6Y1-24306-55		ALL	5-1	*	*
6Y2-24306-56		ALL	5-1	*	*
6YK-24306-04		(KEROSENE)	4-8	*	*

\* NOT EQUIPED

# CHAPTER 3

# FUEL EQUIPMENT

## MODEL APPLICATION

## ENDURO

DEVICE NAME	MODEL	DISTNATION (REMARKS)	FIG.NO. -REF.NO. (FIG.NO)	E8 (677)	E9.9 (6B3)	E15 (6B4)	E25 (69P)	E30 (60B)	E40 (66T)	E40 (6F6)
<b>1: FUEL TANK (12L)</b>										
6YL-24201-04		ALL	1-1, 4-20	*	*	*	*	*	*	*
<b>2: FUEL TANK (24L)</b>										
6YJ-24201-10		EXCEPT USA/CANADA	2-1		*	*	*	*		*
6YJ-24201-50		CANADA	2-1	*	*	*	*	*	*	*
<b>3: FUEL TANK (25L)</b>										
6YK-24201-02		EUR	3-1	*	*	*	*	*		*
6YK-24201-10		EUR	3-1	*	*	*	*	*	*	*
<b>4: FUEL TANK (25L KEROSENE)</b>										
6YK-24201-20		(KEROSENE)	4-1	*	*	*	*	*	*	*
<b>5: FUEL PIPE COMP</b>										
6Y1-24306-55		ALL	5-1	*	*	*	*	*	*	*
6Y2-24306-56		ALL	5-1	*	*	*	*	*	*	*
6YK-24306-04		(KEROSENE)	4-8	*	*	*	*	*	*	*

\* NOT EQUIPED

# CHAPTER 3

# FUEL EQUIPMENT

## MODEL APPLICATION

## ENDURO

DEVICE NAME	MODEL	DISTNATION (REMARKS)	FIG.NO. -REF.NO. (FIG.NO)	E40 (6J4)	E48 (696)	E55 (6A3)	E60 (69D)	E60 (64S)	E65 (65S)	E75 (692)
<b>1: FUEL TANK (12L)</b>										
6YL-24201-04		ALL	1-1, 4-20	*	*	*	*	*	*	*
<b>2: FUEL TANK (24L)</b>										
6YJ-24201-10		EXCEPT USA/CANADA	2-1			*		*	*	*
6YJ-24201-50		CANADA	2-1	*	*	*	*	*	*	*
<b>3: FUEL TANK (25L)</b>										
6YK-24201-02		EUR	3-1	*	*	*		*	*	*
6YK-24201-10		EUR	3-1	*	*	*	*	*	*	*
<b>4: FUEL TANK (25L KEROSENE)</b>										
6YK-24201-20		(KEROSENE)	4-1	*	*	*	*	*	*	*
<b>5: FUEL PIPE COMP</b>										
6Y1-24306-55		ALL	5-1	*	*	*	*	*	*	*
6Y2-24306-56		ALL	5-1	*	*	*	*	*	*	*
6YK-24306-04		(KEROSENE)	4-8	*	*	*	*	*	*	*

\* NOT EQUIPED

# CHAPTER 3

# FUEL EQUIPMENT

## MODEL APPLICATION

## ENDURO

DEVICE NAME	MODEL	DISTNATION (REMARKS)	FIG.NO. -REF.NO. (FIG.NO)	E115 (61U)	E115TUNA (61U)
<b>1: FUEL TANK (12L)</b>					
6YL-24201-04		ALL	1-1, 4-20	*	*
<b>2: FUEL TANK (24L)</b>					
6YJ-24201-10		EXCEPT USA/CANADA	2-1		
6YJ-24201-50		CANADA	2-1	*	*
<b>3: FUEL TANK (25L)</b>					
6YK-24201-02		EUR	3-1	*	*
6YK-24201-10		EUR	3-1	*	*
<b>4: FUEL TANK (25L KEROSENE)</b>					
6YK-24201-20		(KEROSENE)	4-1	*	*
<b>5: FUEL PIPE COMP</b>					
6Y1-24306-55		ALL	5-1	*	*
6Y2-24306-56		ALL	5-1		
6YK-24306-04		(KEROSENE)	4-8	*	*

\* NOT EQUIPED

# CHAPTER 3

# FUEL EQUIPMENT

## MODEL APPLICATION

## KEROSENE

DEVICE NAME	MODEL	DISTINATION (REMARKS)	FIG. NO. -REF. NO. (FIG. NO)	EK8 (680)	EK9.9 (6B7)	EK9.9 (6B9)	EK15 (6B8)	EK15 (6C0)	EK25 (69T)	EK25 (6S6)
<b>1: FUEL TANK (12L)</b>										
6YL-24201-04		ALL	1-1, 4-20							
<b>2: FUEL TANK (24L)</b>										
6YJ-24201-10		EXCEPT USA/CANADA	2-1	*	*	*	*	*	*	*
6YJ-24201-50		CANADA	2-1	*	*	*	*	*	*	*
<b>3: FUEL TANK (25L)</b>										
6YK-24201-02		EUR	3-1	*	*	*	*	*	*	*
6YK-24201-10		EUR	3-1	*	*	*	*	*	*	*
<b>4: FUEL TANK (25L KEROSENE)</b>										
6YK-24201-20		(KEROSENE)	4-1							
<b>5: FUEL PIPE COMP</b>										
6Y1-24306-55		ALL	5-1	*	*	*	*	*	*	*
6Y2-24306-56		ALL	5-1	*	*	*	*	*	*	*
6YK-24306-04		(KEROSENE)	4-8							

\* NOT EQUIPED

# CHAPTER 3

# FUEL EQUIPMENT

## MODEL APPLICATION

## KEROSENE

DEVICE NAME	MODEL	DISTINATION (REMARKS)	FIG. NO. -REF. NO. (FIG. NO)	EK40 (6F5)	EK40 (6H9)
<b>1: FUEL TANK (12L)</b>					
6YL-24201-04		ALL	1-1, 4-20		
<b>2: FUEL TANK (24L)</b>					
6YJ-24201-10		EXCEPT USA/CANADA	2-1	*	*
6YJ-24201-50		CANADA	2-1	*	*
<b>3: FUEL TANK (25L)</b>					
6YK-24201-02		EUR	3-1	*	*
6YK-24201-10		EUR	3-1	*	*
<b>4: FUEL TANK (25L KEROSENE)</b>					
6YK-24201-20		(KEROSENE)	4-1		
<b>5: FUEL PIPE COMP</b>					
6Y1-24306-55		ALL	5-1	*	*
6Y2-24306-56		ALL	5-1	*	*
6YK-24306-04		(KEROSENE)	4-8		

\* NOT EQUIPED

# CHAPTER 3

# FUEL EQUIPMENT

## MODEL APPLICATION

## 4 CYCLE

DEVICE NAME	MODEL	DISTINATION (REMARKS)	FIG. NO. -REF. NO. (FIG. NO)	F2 (6S7)	F2.5 (69M)	F4 (68D)	F6 (60N)	F8 (60R)	FT8 (60S)	F9.9 (66N)
<b>1: FUEL TANK (12L)</b>										
6YL-24201-04		ALL	1-1, 4-20	*	*					*
<b>2: FUEL TANK (24L)</b>										
6YJ-24201-10		EXCEPT USA/CANADA	2-1	*	*	*	*	*	*	*
6YJ-24201-50		CANADA	2-1	*	*	*	*	*	*	*
<b>3: FUEL TANK (25L)</b>										
6YK-24201-02		EUR	3-1	*	*	*	*	*	*	*
6YK-24201-10		EUR	3-1	*	*	*	*	*	*	*
<b>4: FUEL TANK (25L KEROSENE)</b>										
6YK-24201-20		(KEROSENE)	4-1	*	*	*	*	*	*	*
<b>5: FUEL PIPE COMP</b>										
6Y1-24306-55		ALL	5-1	*	*	*				
6Y2-24306-56		ALL	5-1	*	*	*				
6YK-24306-04		(KEROSENE)	4-8	*	*	*	*	*	*	*

\* NOT EQUIPED



# CHAPTER 3

# FUEL EQUIPMENT

## MODEL APPLICATION

## 4 CYCLE

DEVICE NAME	MODEL	DISTNATION (REMARKS)	FIG.NO. -REF.NO. (FIG.NO)	F9.9 (6AU)	F9.9 (69B)	FT9.9 (66R)	FT9.9 (6AV)	F13.5 (6AF)	F15 (66M)	F15 (6D4)
<b>1: FUEL TANK (12L)</b>										
6YL-24201-04		ALL	1-1, 4-20	*	*	*	*	*	*	*
<b>2: FUEL TANK (24L)</b>										
6YJ-24201-10		EXCEPT USA/CANADA	2-1	*	*	*	*	*	*	*
6YJ-24201-50		CANADA	2-1	*	*	*	*	*	*	*
<b>3: FUEL TANK (25L)</b>										
6YK-24201-02		EUR	3-1	*	*	*	*	*	*	*
6YK-24201-10		EUR	3-1	*	*	*	*	*	*	*
<b>4: FUEL TANK (25L KEROSENE)</b>										
6YK-24201-20		(KEROSENE)	4-1	*	*	*	*	*	*	*
<b>5: FUEL PIPE COMP</b>										
6Y1-24306-55		ALL	5-1					*	*	*
6Y2-24306-56		ALL	5-1		*			*	*	*
6YK-24306-04		(KEROSENE)	4-8	*	*	*	*	*	*	*

\* NOT EQUIPED

# CHAPTER 3

# FUEL EQUIPMENT

## MODEL APPLICATION

## 4 CYCLE

DEVICE NAME	MODEL	DISTINATION (REMARKS)	FIG.NO. -REF.NO. (FIG.NO)	F15 (6AG)	F20 (65P)	F20 (6AH)	F20 (6AJ)	F25 (65W)	F25 (6D5)	FT25 (68U)
<b>1: FUEL TANK (12L)</b>										
6YL-24201-04		ALL	1-1, 4-20	*	*	*	*	*	*	*
<b>2: FUEL TANK (24L)</b>										
6YJ-24201-10		EXCEPT USA/CANADA	2-1	*						
6YJ-24201-50		CANADA	2-1		*		*		*	
<b>3: FUEL TANK (25L)</b>										
6YK-24201-02		EUR	3-1				*		*	
6YK-24201-10		EUR	3-1	*	*	*	*		*	*
<b>4: FUEL TANK (25L KEROSENE)</b>										
6YK-24201-20		(KEROSENE)	4-1	*	*	*	*	*	*	*
<b>5: FUEL PIPE COMP</b>										
6Y1-24306-55		ALL	5-1		*				*	
6Y2-24306-56		ALL	5-1		*			*	*	*
6YK-24306-04		(KEROSENE)	4-8	*	*	*	*	*	*	*

\* NOT EQUIPED

# CHAPTER 3

# FUEL EQUIPMENT

## MODEL APPLICATION

## 4 CYCLE

DEVICE NAME	MODEL	DISTINATION (REMARKS)	FIG.NO. -REF.NO. (FIG.NO)	F30 (69H)	F40 (6AK)	F40 (67C)	F50 (60A)	F50 (6C1)	FT50 (61S)	FT50 (6C2)
<b>1: FUEL TANK (12L)</b>										
6YL-24201-04		ALL	1-1, 4-20	*	*	*	*	*	*	*
<b>2: FUEL TANK (24L)</b>										
6YJ-24201-10		EXCEPT USA/CANADA	2-1							*
6YJ-24201-50		CANADA	2-1		*		*	*	*	*
<b>3: FUEL TANK (25L)</b>										
6YK-24201-02		EUR	3-1				*		*	
6YK-24201-10		EUR	3-1		*		*	*	*	*
<b>4: FUEL TANK (25L KEROSENE)</b>										
6YK-24201-20		(KEROSENE)	4-1	*	*	*	*	*	*	*
<b>5: FUEL PIPE COMP</b>										
6Y1-24306-55		ALL	5-1				*		*	
6Y2-24306-56		ALL	5-1	*			*		*	
6YK-24306-04		(KEROSENE)	4-8	*	*	*	*	*	*	*

\* NOT EQUIPED

# CHAPTER 3

# FUEL EQUIPMENT

## MODEL APPLICATION

## 4 CYCLE

DEVICE NAME	MODEL	DISTNATION (REMARKS)	FIG.NO. -REF.NO. (FIG.NO)	F60 (6C5)	FT60 (6C6)	F75 (6D6)	F75 (6BC)	F80 (6D7)	F90 (6D8)	F95 (6S0)
<b>1: FUEL TANK (12L)</b>										
6YL-24201-04		ALL	1-1, 4-20	*	*	*	*	*	*	*
<b>2: FUEL TANK (24L)</b>										
6YJ-24201-10		EXCEPT USA/CANADA	2-1		*					*
6YJ-24201-50		CANADA	2-1	*	*	*	*	*	*	*
<b>3: FUEL TANK (25L)</b>										
6YK-24201-02		EUR	3-1			*	*		*	*
6YK-24201-10		EUR	3-1	*	*	*	*	*	*	*
<b>4: FUEL TANK (25L KEROSENE)</b>										
6YK-24201-20		(KEROSENE)	4-1	*	*	*	*	*	*	*
<b>5: FUEL PIPE COMP</b>										
6Y1-24306-55		ALL	5-1			*	*			*
6Y2-24306-56		ALL	5-1			*	*	*	*	*
6YK-24306-04		(KEROSENE)	4-8	*	*	*	*	*	*	*

\* NOT EQUIPED

# CHAPTER 3

# FUEL EQUIPMENT

## MODEL APPLICATION

## 4 CYCLE

DEVICE NAME	MODEL	DISTNATION (REMARKS)	FIG.NO. -REF.NO. (FIG.NO)	F100 (60C)	F100 (6D9)	F115 (68V)	FL115 (68W)	F150 (63P)	FL150 (64P)	F200 (60L)
<b>1: FUEL TANK (12L)</b>										
6YL-24201-04		ALL	1-1, 4-20	*	*	*	*	*	*	*
<b>2: FUEL TANK (24L)</b>										
6YJ-24201-10		EXCEPT USA/CANADA	2-1					*	*	
6YJ-24201-50		CANADA	2-1	*	*	*	*	*	*	*
<b>3: FUEL TANK (25L)</b>										
6YK-24201-02		EUR	3-1	*	*			*	*	*
6YK-24201-10		EUR	3-1	*	*	*	*	*	*	*
<b>4: FUEL TANK (25L KEROSENE)</b>										
6YK-24201-20		(KEROSENE)	4-1	*	*	*	*	*	*	*
<b>5: FUEL PIPE COMP</b>										
6Y1-24306-55		ALL	5-1	*	*					
6Y2-24306-56		ALL	5-1	*	*	*	*	*	*	*
6YK-24306-04		(KEROSENE)	4-8	*	*	*	*	*	*	*

\* NOT EQUIPED

# CHAPTER 3

# FUEL EQUIPMENT

## MODEL APPLICATION

## 4 CYCLE

DEVICE NAME	MODEL	DISTNATION (REMARKS)	FIG.NO. -REF.NO. (FIG.NO)	F200 (6S1)	F200 (6AL)	FL200 (60M)	FL200 (6S2)	FL200 (6AM)	F225 (69J)	F225 (6AS)
<b>1: FUEL TANK (12L)</b>										
6YL-24201-04		ALL	1-1, 4-20	*	*	*	*	*	*	*
<b>2: FUEL TANK (24L)</b>										
6YJ-24201-10		EXCEPT USA/CANADA	2-1		*	*	*	*	*	*
6YJ-24201-50		CANADA	2-1	*	*	*	*	*	*	*
<b>3: FUEL TANK (25L)</b>										
6YK-24201-02		EUR	3-1	*	*	*	*	*	*	*
6YK-24201-10		EUR	3-1	*	*	*	*	*	*	*
<b>4: FUEL TANK (25L KEROSENE)</b>										
6YK-24201-20		(KEROSENE)	4-1	*	*	*	*	*	*	*
<b>5: FUEL PIPE COMP</b>										
6Y1-24306-55		ALL	5-1	*	*		*	*		*
6Y2-24306-56		ALL	5-1	*	*	*	*	*	*	*
6YK-24306-04		(KEROSENE)	4-8	*	*	*	*	*	*	*

\* NOT EQUIPED

# CHAPTER 3

# FUEL EQUIPMENT

## MODEL APPLICATION

## 4 CYCLE

DEVICE NAME	MODEL	DISTNATION (REMARKS)	FIG.NO. -REF.NO. (FIG.NO)	F225 (6BB)	FL225 (69K)	FL225 (6AT)	F250 (6P2)	FL250 (6P3)	F300 (6BJ)	FL300 (6BK)
<b>1: FUEL TANK (12L)</b>										
6YL-24201-04		ALL	1-1, 4-20	*	*	*	*	*	*	*
<b>2: FUEL TANK (24L)</b>										
6YJ-24201-10		EXCEPT USA/CANADA	2-1	*	*	*	*	*	*	*
6YJ-24201-50		CANADA	2-1	*	*	*	*	*	*	*
<b>3: FUEL TANK (25L)</b>										
6YK-24201-02		EUR	3-1	*	*	*	*	*	*	*
6YK-24201-10		EUR	3-1	*	*	*	*	*	*	*
<b>4: FUEL TANK (25L KEROSENE)</b>										
6YK-24201-20		(KEROSENE)	4-1	*	*	*	*	*	*	*
<b>5: FUEL PIPE COMP</b>										
6Y1-24306-55		ALL	5-1			*			*	*
6Y2-24306-56		ALL	5-1	*	*	*	*	*	*	*
6YK-24306-04		(KEROSENE)	4-8	*	*	*	*	*	*	*

\* NOT EQUIPED

# CHAPTER 3

# FUEL EQUIPMENT

## MODEL APPLICATION

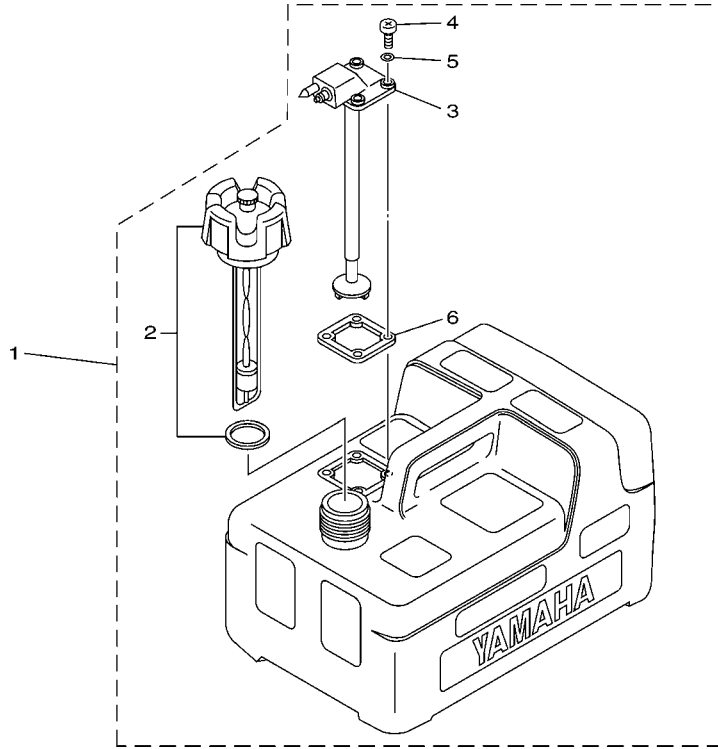
## 4 CYCLE

DEVICE NAME	MODEL	DISTNATION (REMARKS)	FIG.NO. -REF.NO. (FIG.NO)	F350 (6AW)	FL350 (6AX)
<b>1: FUEL TANK (12L)</b>					
6YL-24201-04		ALL	1-1, 4-20	*	*
<b>2: FUEL TANK (24L)</b>					
6YJ-24201-10		EXCEPT USA/CANADA	2-1	*	*
6YJ-24201-50		CANADA	2-1	*	*
<b>3: FUEL TANK (25L)</b>					
6YK-24201-02		EUR	3-1	*	*
6YK-24201-10		EUR	3-1	*	*
<b>4: FUEL TANK (25L KEROSENE)</b>					
6YK-24201-20		(KEROSENE)	4-1	*	*
<b>5: FUEL PIPE COMP</b>					
6Y1-24306-55		ALL	5-1	*	*
6Y2-24306-56		ALL	5-1	*	*
6YK-24306-04		(KEROSENE)	4-8	*	*

\* NOT EQUIPED



FUEL TANK (12L)



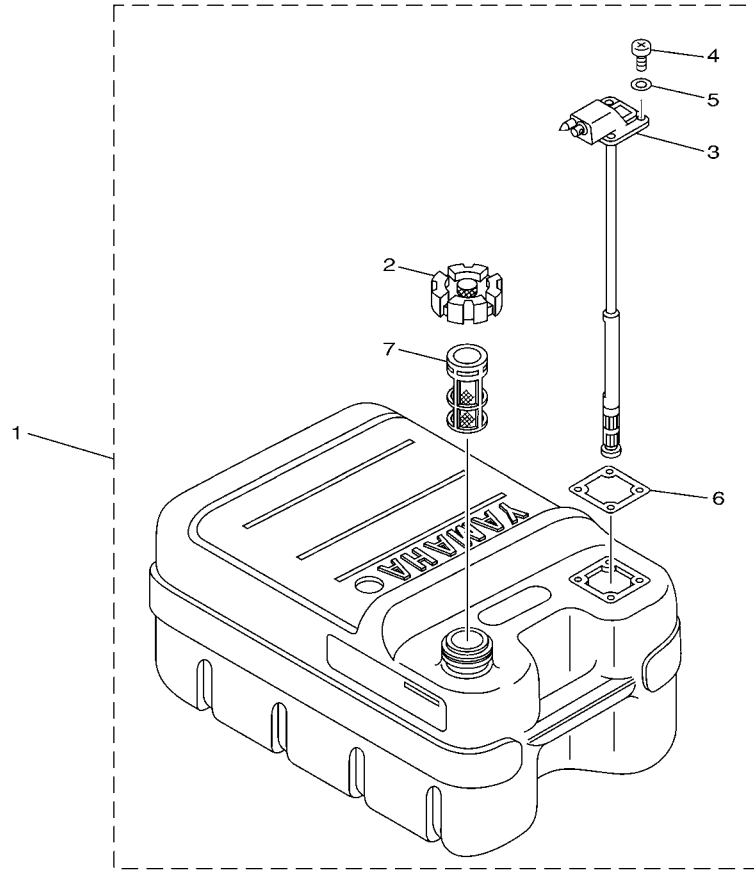
6011100-G950

FIG. 1 FUEL TANK 1

RESERVOIR A CARBURANT 1

REF. NO.	PART NO. N° PIECES	DESCRIPTION DESCRIPTION	2008				REMARKS REMARQUES
1	6YL-24201-04	FUEL TANK ASSY (12L) RESERVOIR A ESSENCE (ENS.) 12L	1				
2	6YL-24610-01	.CAP ASSY .BOUCHON	1				
3	6YL-24260-01	.FUEL METER ASSY .INDICATEUR DE CARBURANT	1				
4	90157-05M16	.SCREW, PAN HEAD .VIS, TETE TRONCONIQUE	4				
5	6YL-24329-00	.SEAL .JOINT	4				
6	6YL-24268-01	.GASKET, FUEL METER .JOINT, JAUGE A CARBURANT	1				

# FUEL TANK (24L)



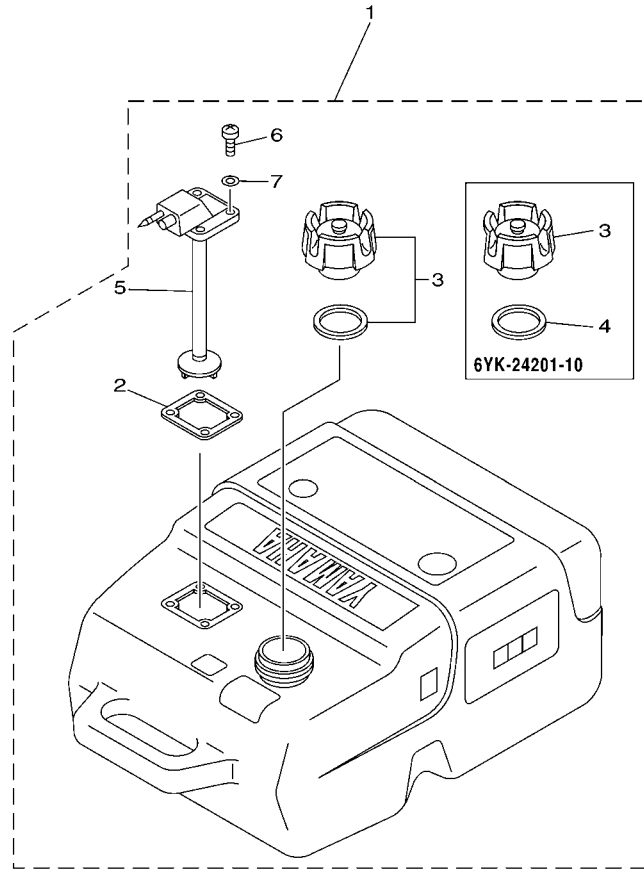
6011100-G960

## FIG. 2 FUEL TANK 2

## RESERVOIR A CARBURANT 2

REF. NO.	PART NO. N° PIECES	DESCRIPTION DESCRIPTION	2008				REMARKS REMARQUES
1	6YJ-24201-10	FUEL TANK ASSY (24L) RESERVOIR A ESSENCE (ENS.):24L	1				UR UR
	6YJ-24201-50	FUEL TANK ASSY (24L) RESERVOIR A ESSENCE (ENS.):24L	1				UR UR
2	6YJ-24610-01	.CAP ASSY .BOUCHON	1				
3	6Y1-24260-12	.FUEL METER ASSY .INDICATEUR DE CARBURANT	1				WITH INDICATOR WITH INDICATOR
4	90157-05M19	.SCREW, PAN HEAD .VIS, TETE TRONCONIQUE	4				
5	6Y1-24329-00	.SEAL .JOINT	4				
6	6Y1-24268-00	.GASKET, FUEL METER .JOINT, JAUGE A CARBURANT	1				
7	6YJ-24167-00	.STRAINER .FILTRE	1				

FUEL TANK (25L)

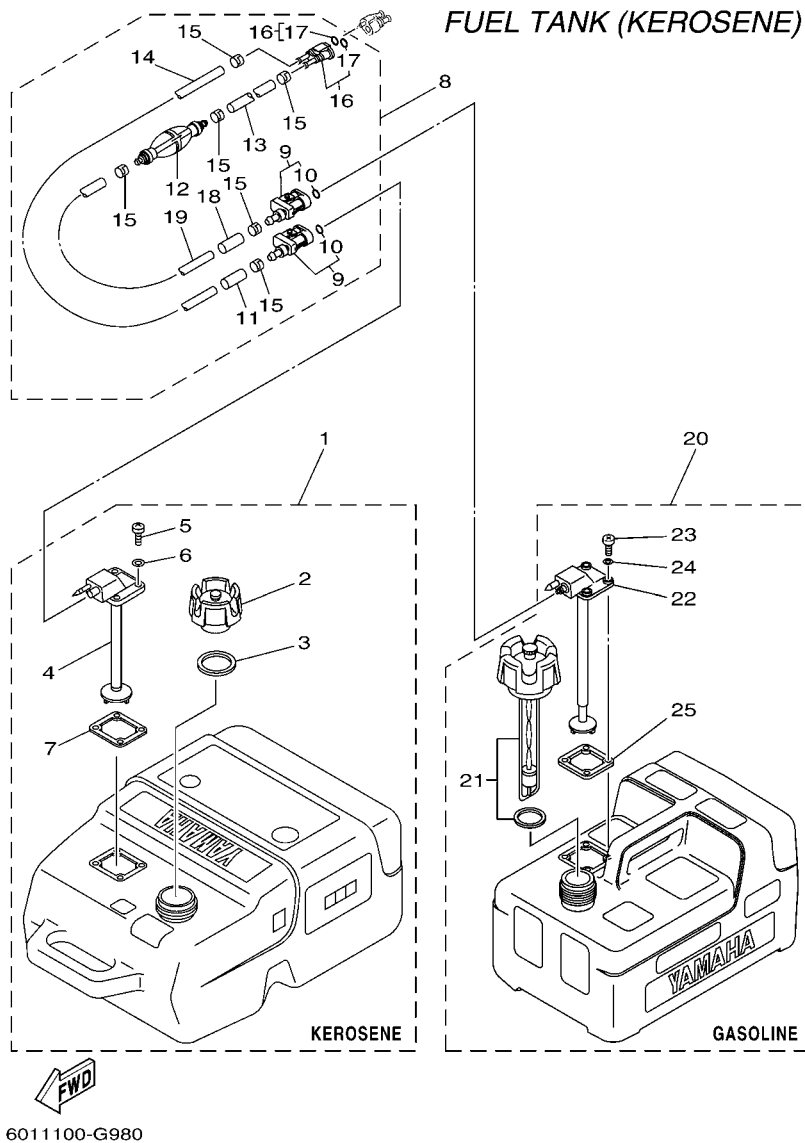


6011100-G970

FIG. 3 FUEL TANK 3

RESERVOIR A CARBURANT 3

REF. NO.	PART NO. N° PIECES	DESCRIPTION DESCRIPTION	2008			REMARKS REMARQUES
1	6YK-24201-02	FUEL TANK ASSY (25L) RESERVOIR A ESSENCE (ENS.) 25L	1			UR UR
	6YK-24201-10	FUEL TANK ASSY (25L) RESERVOIR A ESSENCE (ENS.) 25L	1			UR UR
2	6YL-24268-01	.GASKET, FUEL METER .JOINT, JAUGE A CARBURANT	1			
3	6YK-24610-01	.CAP ASSY .BOUCHON	1			FOR 6YK-24201-02 FOR 6YK-24201-02
	6YK-24610-10	.CAP ASSY .BOUCHON	1			FOR 6YK-24201-10 FOR 6YK-24201-10
4	6YL-24641-00	.GASKET, CAP 1 .JOINT 1, BOUCHON	1			FOR 6YK-24201-10 FOR 6YK-24201-10
5	6YK-24260-01	.FUEL METER ASSY .INDICATEUR DE CARBURANT	1			
6	90157-05M16	.SCREW, PAN HEAD .VIS, TETE TRONCONIQUE	4			
7	6YL-24329-00	.SEAL .JOINT	4			

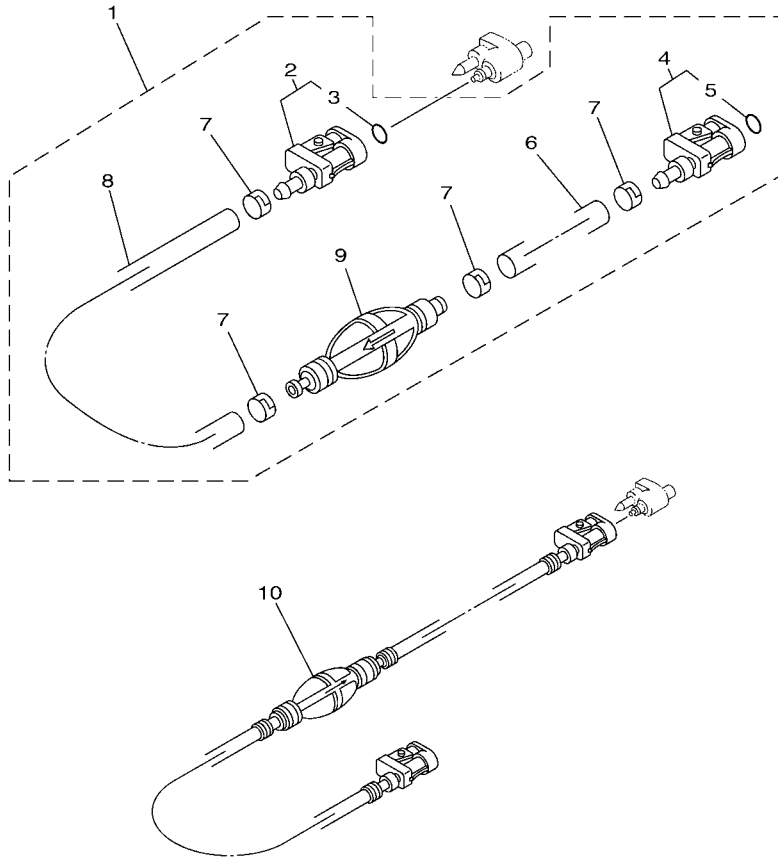


**FIG. 4 FUEL TANK 4**

**RESERVOIR A CARBURANT 4**

REF. NO.	PART NO. N° PIECES	DESCRIPTION DESCRIPTION	2008				REMARKS REMARQUES
1	6YK-24201-20	FUEL TANK ASSY (25L,KEROSENE) RESERVOIR A ESSENCE (ENS.)25L	1				KEROSENE KEROSENE
2	6YK-24610-10	.CAP ASSY .BOUCHON	1				WITHOUT INDICATOR WITHOUT INDICATOR
3	6YL-24641-00	.GASKET, CAP 1 .JOINT 1, BOUCHON	1				
4	6YK-24260-01	.FUEL METER ASSY .INDICATEUR DE CARBURANT	1				
5	90157-05M16	.SCREW, PAN HEAD .VIS, TETE TRONCONIQUE	4				
6	6YL-24329-00	.SEAL .JOINT	4				
7	6YL-24268-01	.GASKET, FUEL METER .JOINT, JAUGE A CARBURANT	1				
8	6YK-24306-04	FUEL PIPE COMP. 1 DURITE A ESSENCE 1	1				
9	6Y1-24305-06	.FUEL PIPE JOINT COMP. 2 .DURITE RACCORDEMT. A ESSENCE	2				
10	93210-08287	..O-RING ..JOINT TORIQUE	1				
11	6Y1-24397-10	.COLLAR (KEROSENE) .COLLIER (KEROSENE)	1				
12	61J-24360-00	.PRIMER PUMP ASSY .POMPE D'AMORCAGE	1				
13	90445-11M05	.HOSE (L850) .DURITE (L850)	1				
14	90445-11M81	.HOSE (L3000) .DURITE (L3000)	1				
15	650-24351-01	.BAND 1 .COLLIER 1	6				
16	680-24305-01	.FUEL PIPE JOINT COMP. 2 .DURITE RACCORDEMT. A ESSENCE	1				
17	93210-08287	..O-RING ..JOINT TORIQUE	2				
18	6Y1-24397-00	.COLLAR (GASOLINE) .COLLIER (GASOLINE)	1				
19	90445-11M06	.HOSE (L2050) .DURITE (L2050)	1				
20	6YL-24201-04	FUEL TANK ASSY (12L) RESERVOIR A ESSENCE (ENS.) 12L	1				GASOLINE GASOLINE
21	6YL-24610-01	.CAP ASSY .BOUCHON	1				
22	6YL-24260-01	.FUEL METER ASSY .INDICATEUR DE CARBURANT	1				
23	90157-05M16	.SCREW, PAN HEAD .VIS, TETE TRONCONIQUE	4				
24	6YL-24329-00	.SEAL .JOINT	4				
25	6YL-24268-01	.GASKET, FUEL METER .JOINT, JAUGE A CARBURANT	1				

FUEL PIPE



6011100-G990

FIG. 5 FUEL PIPE

DURITE A ESSENCE

REF. NO.	PART NO. N° PIECES	DESCRIPTION DESCRIPTION	2008				REMARKS REMARQUES
1	6Y1-24306-55	FUEL PIPE COMP. 1 DURITE A ESSENCE 1	1				UR UR
	6Y2-24306-56	FUEL PIPE COMP. 1 DURITE A ESSENCE 1	1				UR UR
2	6G1-24305-05	.FUEL PIPE JOINT COMP. 2 .DURITE RACCORDEMT. A ESSENCE	1				FOR 6Y1-24306-55 FOR 6Y1-24306-55
	6E5-24305-06	.FUEL PIPE JOINT COMP. 2 .DURITE RACCORDEMT. A ESSENCE	1				FOR 6Y2-24306-56 FOR 6Y2-24306-56
3	93210-08287	..O-RING ..JOINT TORIQUE	1				
4	6Y1-24305-06	.FUEL PIPE JOINT COMP. 2 .DURITE RACCORDEMT. A ESSENCE	1				FOR 6Y1-24306-55 FOR 6Y1-24306-55
	6Y2-24305-06	.FUEL PIPE JOINT COMP. 2 .DURITE RACCORDEMT. A ESSENCE	1				FOR 6Y2-24306-56 FOR 6Y2-24306-56
5	93210-08287	..O-RING ..JOINT TORIQUE	1				
6	90445-11M06	.HOSE (L2050) .DURITE (L2050)	1				FOR 6Y1-24306-55 FOR 6Y1-24306-55
	90445-13M01	.HOSE (L2050) .DURITE (L2050)	1				FOR 6Y2-24306-56 FOR 6Y2-24306-56
7	650-24351-51	.BAND 1 .COLLIER 1	4				FOR 6Y1-24306-55 FOR 6Y1-24306-55
	6E5-24351-51	.BAND 1 .COLLIER 1	4				FOR 6Y2-24306-56 FOR 6Y2-24306-56
8	90445-11M05	.HOSE (L850) .DURITE (L850)	1				FOR 6Y1-24306-55 FOR 6Y1-24306-55
	90445-13M00	.HOSE (L850) .DURITE (L850)	1				FOR 6Y2-24306-56 FOR 6Y2-24306-56
9	6Y1-24360-52	.PRIMER PUMP ASSY .POMPE D'AMORCAGE	1				FOR 6Y1-24306-55 FOR 6Y1-24306-55
	6Y2-24360-60	.PRIMER PUMP ASSY .POMPE D'AMORCAGE	1				FOR 6Y2-24306-56 FOR 6Y2-24306-56
10	6YL-24306-54	FUEL PIPE COMP. 1 DURITE A ESSENCE 1	1				

NUMERICAL INDEX  
INDEX NUMERIQUE

PART NO. N° PIECES	REF. NO.	PART NO. N° PIECES	REF. NO.	PART NO. N° PIECES	REF. NO.	PART NO. N° PIECES	REF. NO.	PART NO. N° PIECES	REF. NO.	PART NO. N° PIECES	REF. NO.
6YJ-24167-00	2 - 7	6YL-24641-00	4 - 3								
6YK-24201-02	3 - 1	90157-05M16	1 - 4								
6YL-24201-04	1 - 1		3 - 6								
	4 - 20		4 - 5								
6YJ-24201-10	2 - 1		4 - 23								
6YK-24201-10	3 - 1	90157-05M19	2 - 4								
6YK-24201-20	4 - 1	90445-11M05	4 - 13								
6YJ-24201-50	2 - 1		5 - 8								
6YK-24260-01	3 - 5	90445-11M06	4 - 19								
	4 - 4		5 - 6								
6YL-24260-01	1 - 3	90445-11M81	4 - 14								
	4 - 22	90445-13M00	5 - 8								
6Y1-24260-12	2 - 3	90445-13M01	5 - 6								
6Y1-24268-00	2 - 6	93210-08287	4 - 10								
6YL-24268-01	1 - 6		4 - 17								
	3 - 2		5 - 3								
	4 - 7		5 - 5								
	4 - 25										
680-24305-01	4 - 16										
6G1-24305-05	5 - 2										
6E5-24305-06	5 - 2										
6Y1-24305-06	4 - 9										
	5 - 4										
6Y2-24305-06	5 - 4										
6YK-24306-04	4 - 8										
6YL-24306-54	5 - 10										
6Y1-24306-55	5 - 1										
6Y2-24306-56	5 - 1										
6Y1-24329-00	2 - 5										
6YL-24329-00	1 - 5										
	3 - 7										
	4 - 6										
	4 - 24										
650-24351-01	4 - 15										
650-24351-51	5 - 7										
6E5-24351-51	5 - 7										
61J-24360-00	4 - 12										
6Y1-24360-52	5 - 9										
6Y2-24360-60	5 - 9										
6Y1-24397-00	4 - 18										
6Y1-24397-10	4 - 11										
6YJ-24610-01	2 - 2										
6YK-24610-01	3 - 3										
6YL-24610-01	1 - 2										
	4 - 21										
6YK-24610-10	3 - 3										
	4 - 2										
6YL-24641-00	3 - 4										