

PARTS CATALOGUE

EK9.9DMH'18 (6B7G)

EK15DMH'18 (6B8G)

EK9.9JMH'18 (6B9G)

EK15PMH'18 (6C0G)

NEWS NO.	DATE	COMMENT
PE0-OM-180026	Sep.,3,2018	MOD:FIG.11 ELECTRICAL LIST REVISION

EK9.9DMH/EK15DMH
EK9.9JMH/EK15PMH
PARTS CATALOGUE
©2018 by Yamaha Motor Co., Ltd.
1st edition, July 2018
All rights reserved.
Any reprinting or unauthorized use
without the written permission of
Yamaha Motor Co., Ltd.
is expressly prohibited.
Printed in Japan.

FOREWORD

This Parts Catalogue is related to the parts for the model(s) on the cover page. When you are ordering replacement parts, please refer to this Parts Catalogue and quote both part numbers and part names correctly.

1. Modifications or additions which have been made after the issue of the Parts Catalogue will be announced in the Parts News.
It is advisable that you make the necessary corrections to the Parts Catalogue according to the Parts News.

2. Abbreviations

The following abbreviations are used in this Parts Catalogue.

“UR” Use specified parts number.

“UN” Use as many as needed.

“AP” Alternate Parts

“LM” Locally Made (Parts need to be ordered locally)

“F#” Frame No. (Applicable machine No.)

“O/S” Over Size

3. The number of components for assembly

- Parts, which are to be supplied in an assembly, are listed with a dot (.) in front of the part name as shown below.
- The numeral appearing to the right of each component part indicates the quantity of parts for each assembly unit.

PART NO.	DESCRIPTION	Q'TY	REMARKS
2F5-83310-60	FRONT FLASHER LIGHT ASSY	2	
115-83311-60	.BULB (6V-18W)	1	

4. Applicable colours of graphics are represented in the “REMARKS” as shown below.

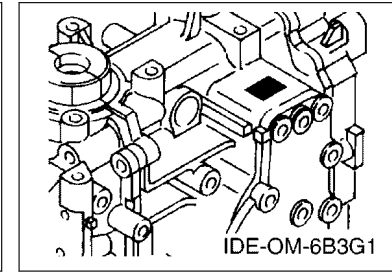
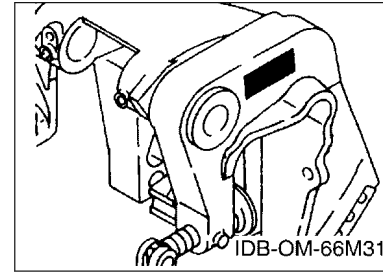
PART NO.	DESCRIPTION	Q'TY	REMARKS
2N4-24110-00-X5	FUEL TANK COMP.	2	MXR
3J1-24240-10	.GRAPHIC, FUEL TANK	1	FOR MXR

5. Note that the illustrations for reference in finding parts numbers are not to be used for assembling. When assembling, please use the applicable service manual.

6. The asterisk (*) before a reference number indicates modified items after the first edition.

7. Applicable Serial No.

Engine Serial No.



8. Applicable Engine Starting Serial No.

Model	Serial No.	Model	Serial No.
EK9.9D	6B7K-1016449	EK15D	6B8K-1006559
EK9.9J	6B9K-1003670	EK15P	6C0K-1005969

9. Applicable Colour Code

Abbreviation	Colour Name	Colour Code
DBN1	DARK BLUISH GRAY 1	008D

10. Quantity Column Information

Column No.	Name Of Q'ty Column	Applicable Model
1	6B7G	EK9.9DMH
2	6B9G	EK9.9JMH
3	6B8G	EK15DMH
4	6C0G	EK15PMH

CONTENTS

SCHEDULED SERVICE PARTS.....	1
TOP COWLING.....	2
CYLINDER & CRANKCASE.....	3
CRANKSHAFT & PISTON.....	5
INTAKE.....	7
CARBURETOR.....	8
FUEL 1.....	10
FUEL 2.....	12
STARTER.....	13
GENERATOR.....	15
ELECTRICAL.....	16
BOTTOM COWLING.....	17
STEERING.....	18
CONTROL.....	19
BRACKET 1.....	21
BRACKET 2.....	24
UPPER CASING.....	26
LOWER CASING & DRIVE 1.....	27
LOWER CASING & DRIVE 2.....	30
FUEL TANK.....	32
REPAIR KIT 1.....	33
REPAIR KIT 2.....	35

INDEX

NUMERICAL INDEX.....	36
----------------------	----


6B3B200-M010

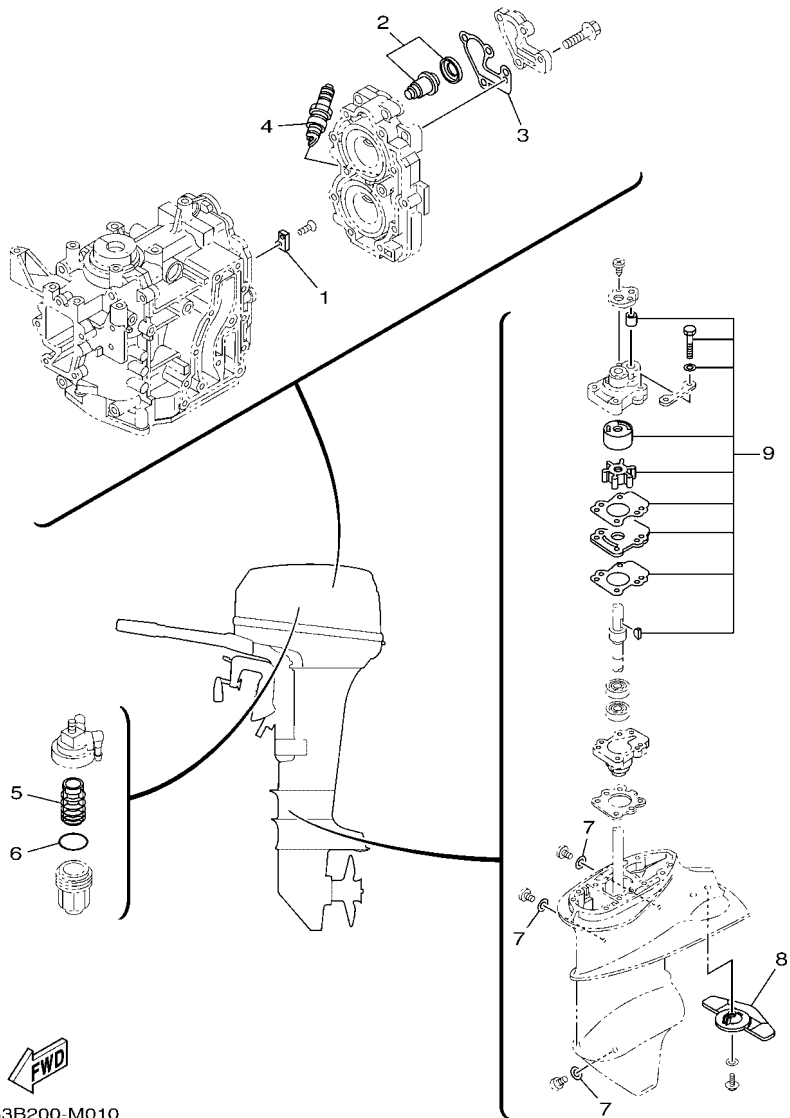
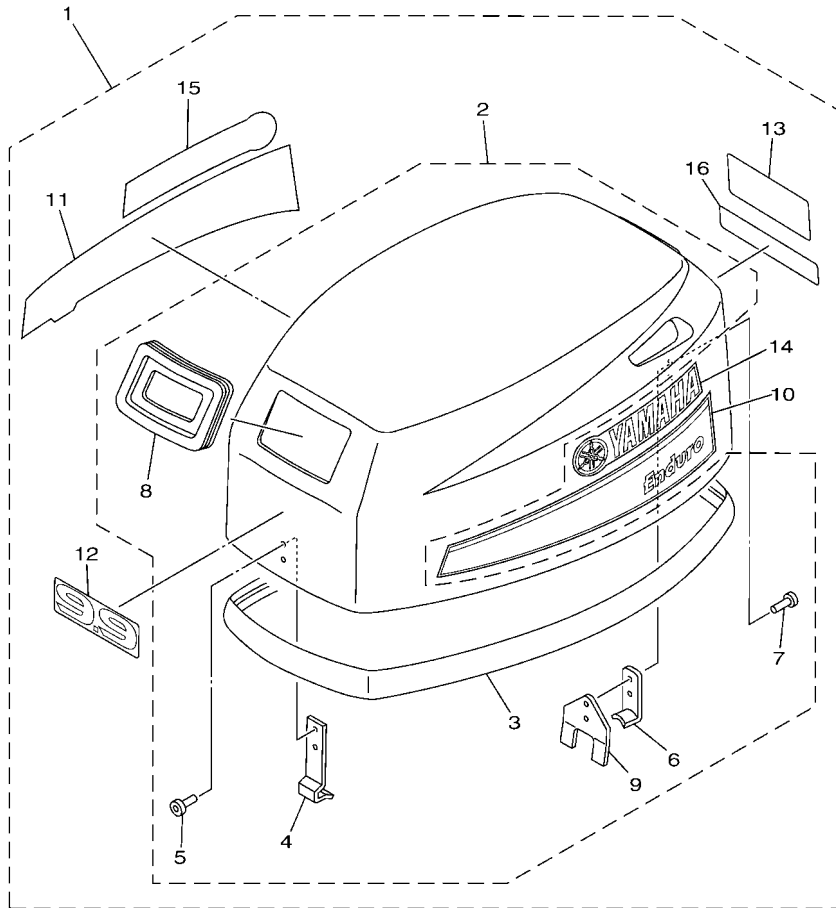


FIG. 1 SCHEDULED SERVICE PARTS

REF. NO.	PART NO.	DESCRIPTION	6B7G	6B9G	6B8G	6C0G	REMARKS
1	682-11325-00	ANODE	1	1	1	1	
2	6F5-12411-03	THERMOSTAT	1	1	1	1	
3	682-12414-A1	GASKET, COVER	1	1	1	1	
4	94702-00217	PLUG, SPARK (NGK B7HS-10)	2	2	2	2	
5	61N-24563-00	ELEMENT, FILTER	2	2	2	2	
6	93210-32738	O-RING	2	2	2	2	
7	90430-08003	GASKET	3	3	3	3	
8	6B4-45251-00	ANODE	1	1	1	1	
9	6B4-W0078-0A	WATER PUMP REPAIR KIT	1	1	1	1	



6B8F200-R020

FIG. 2 TOP COWLING

REF. NO.	PART NO.	DESCRIPTION	6B7G	6B9G	6B8G	6C0G	REMARKS
1	6B7-42610-20	TOP COWLING ASSY	1	1			
	6B8-42610-20	TOP COWLING ASSY			1	1	
2	6B4-4261A-00	.TOP COWLING W/O GRAPHICS	1	1	1	1	
3	6B4-42615-00	..SEAL	1	1	1	1	
4	6B4-42651-00	..HOOK	1	1	1	1	
5	90266-04M00	..RIVET	2	2	2	2	
6	6B4-42647-00	..HOLDER, CLAMP BAND	1	1	1	1	
7	90266-04005	..RIVET	2	2	2	2	
8	6B4-15761-00	..SEAL, RUBBER 1	1	1	1	1	
9	6B4-42646-00	..PLATE, CLAMP	1	1	1	1	
10	677-42675-10	..GRAPHIC, SIDE 1	1	1	1	1	
11	677-42676-10	..GRAPHIC, SIDE 2	1	1	1	1	
12	63V-42678-40	..GRAPHIC, REAR	1	1			
	63W-42678-40	..GRAPHIC, REAR			1	1	
13	63V-42678-40	..GRAPHIC, REAR	1	1			
	63W-42678-40	..GRAPHIC, REAR			1	1	
14	6E0-42681-40	..MARK, COWLING	1	1	1	1	
15	6E0-42681-40	..MARK, COWLING	1	1	1	1	
16	680-42684-00	..MARK, COWLING	1	1	1	1	

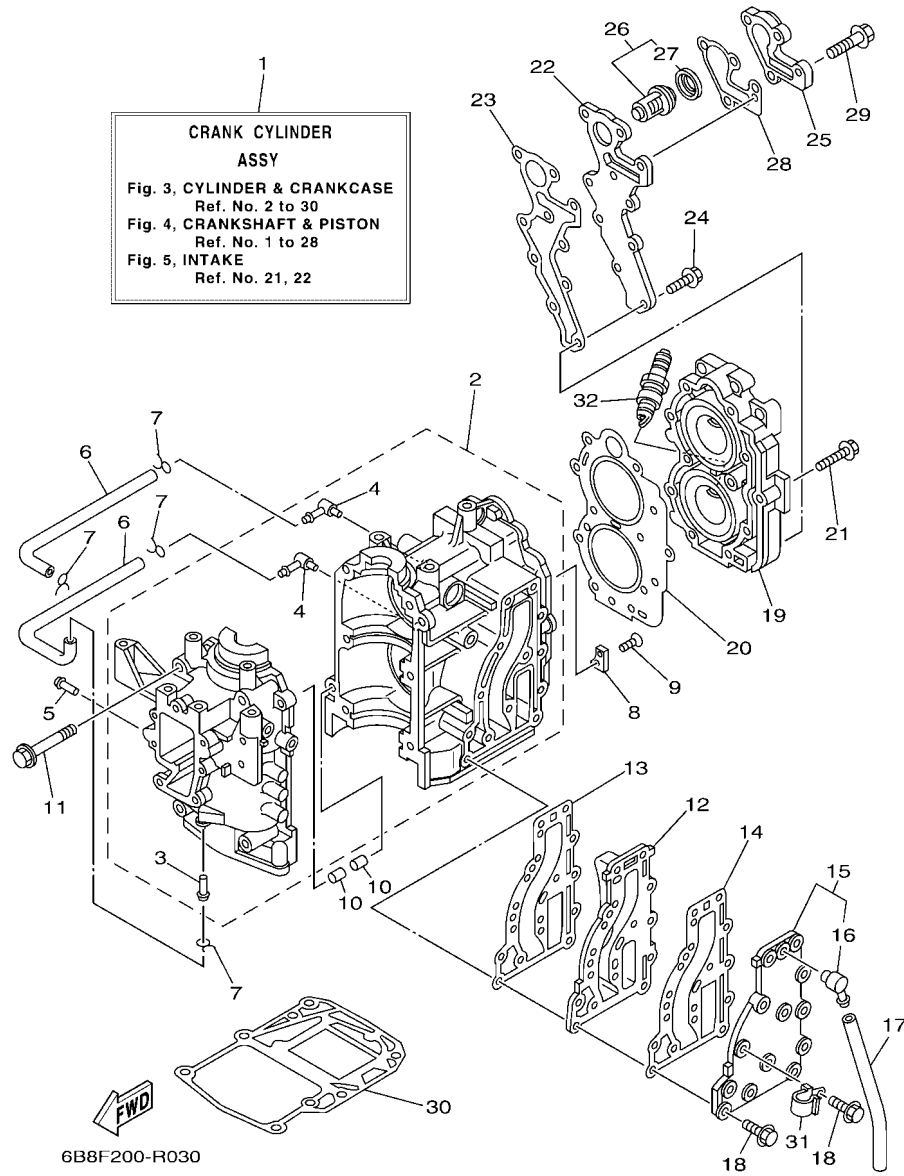


FIG. 3 CYLINDER & CRANKCASE

REF. NO.	PART NO.	DESCRIPTION	6B7G	6B9G	6B8G	6C0G	REMARKS
1	6B8-W0090-00-1S	CRANK CYLINDER ASSY	1	1	1	1	
2	6B8-15100-00	CRANKCASE ASSY	1	1	1	1	
3	624-14485-00	.PIPE, JOINT	1	1	1	1	
4	650-14485-03	.PIPE, JOINT	2	2	2	2	
5	6H1-14485-00	PIPE, JOINT	1	1	1	1	
6	90445-07M08	HOSE (L220)	2	2	2	2	
7	90467-06016	CLIP	4	4	4	4	
8	682-11325-00	ANODE	1	1	1	1	
9	98780-05015	SCREW, FLAT HEAD	1	1	1	1	
10	93606-12019	PIN, DOWEL	2	2	2	2	
11	90119-08M07	BOLT, WITH WASHER	6	6	6	6	
12	63V-41111-00-1S	INNER COVER, EXHAUST	1	1	1	1	
13	6B4-41112-A0	GASKET, EXHAUST INNER COVER	1	1	1	1	
14	63V-41112-A0	GASKET, EXHAUST INNER COVER	1	1	1	1	
15	63V-41113-00-1S	OUTER COVER, EXHAUST	1	1	1	1	
16	676-11372-00	.NIPPLE, HOSE	1	1	1	1	
17	90445-09104	HOSE (L300)	1	1	1	1	
18	90119-06MA4	BOLT, WITH WASHER	13	13	13	13	
19	6B8-11111-00-1S	HEAD, CYLINDER 1	1	1	1	1	
20	63V-11181-A2	GASKET, CYLINDER HEAD 1	1	1	1	1	
21	90105-07M05	BOLT, FLANGE	11	11	11	11	
22	6B4-11191-00-1S	COVER, CYLINDER HEAD 1	1	1	1	1	
23	6B4-11193-A1	GASKET, HEAD COVER 1	1	1	1	1	
24	90119-06023	BOLT, WITH WASHER	6	6	6	6	
25	682-12413-00-1S	COVER, THERMOSTAT	1	1	1	1	
26	6F5-12411-03	THERMOSTAT	1	1	1	1	
27	6E5-12412-00	.SEAL, THERMOSTAT	1	1	1	1	

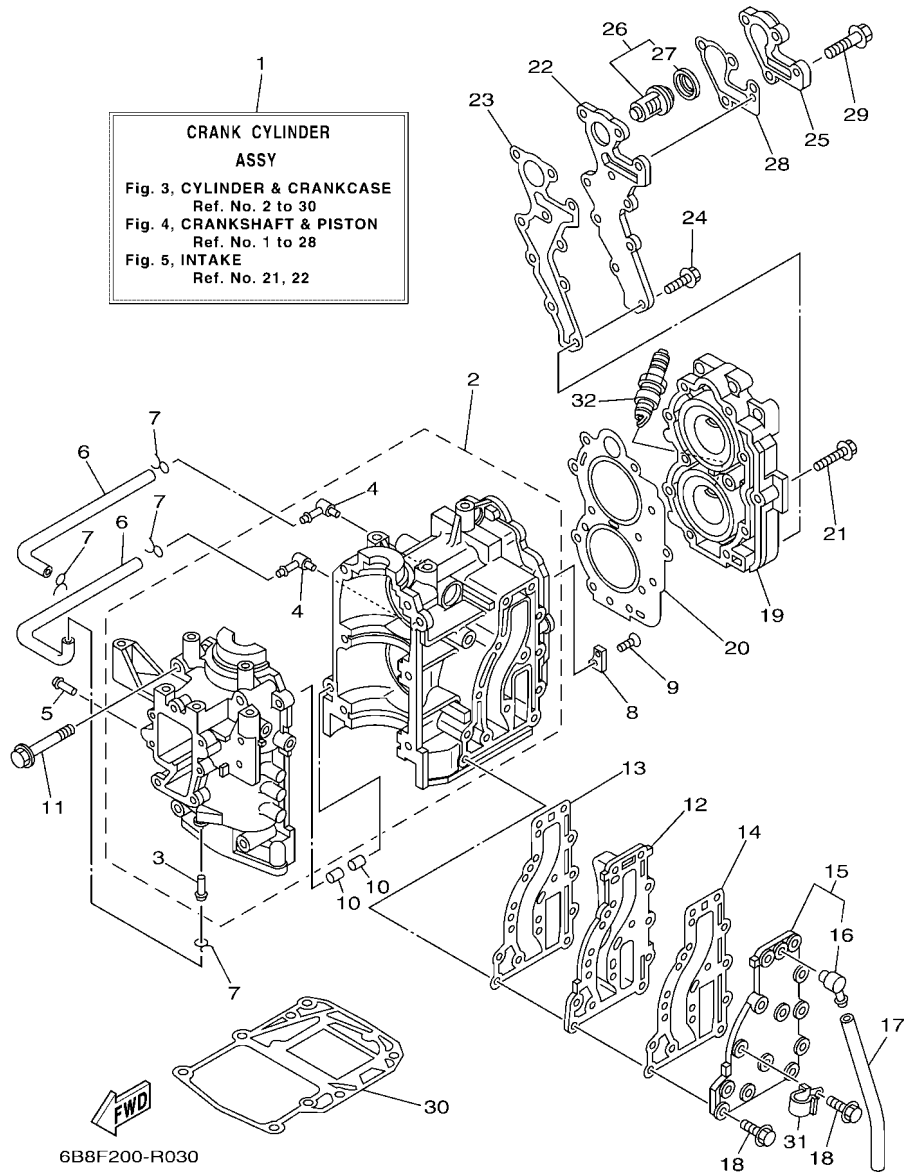
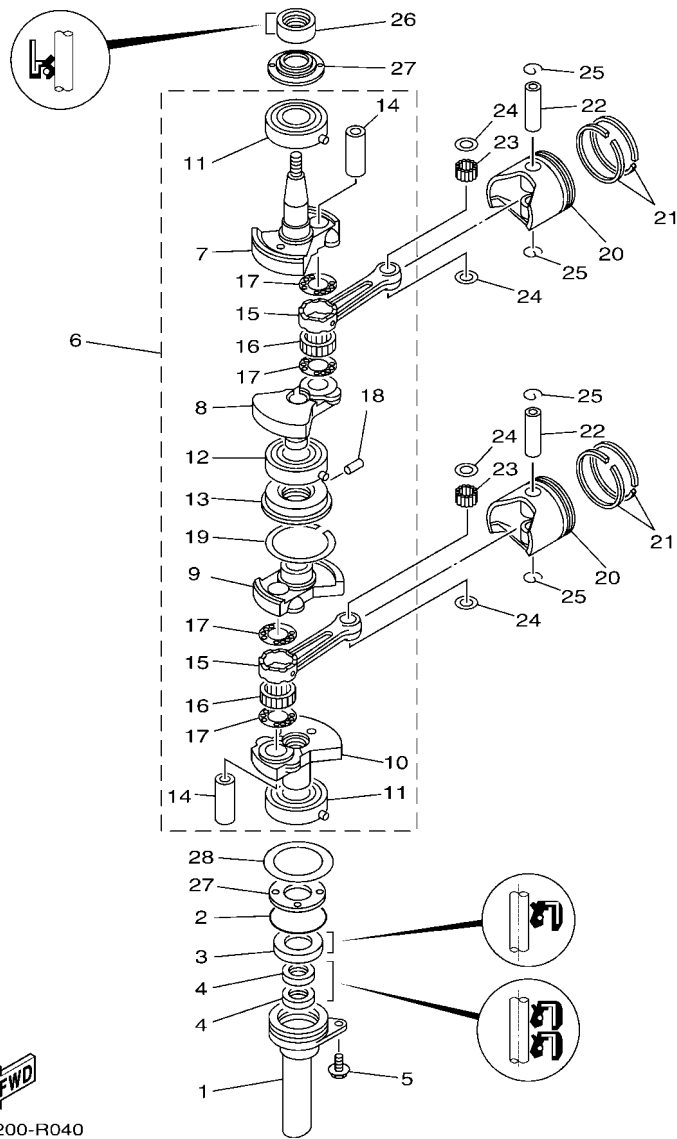


FIG. 3 CYLINDER & CRANKCASE

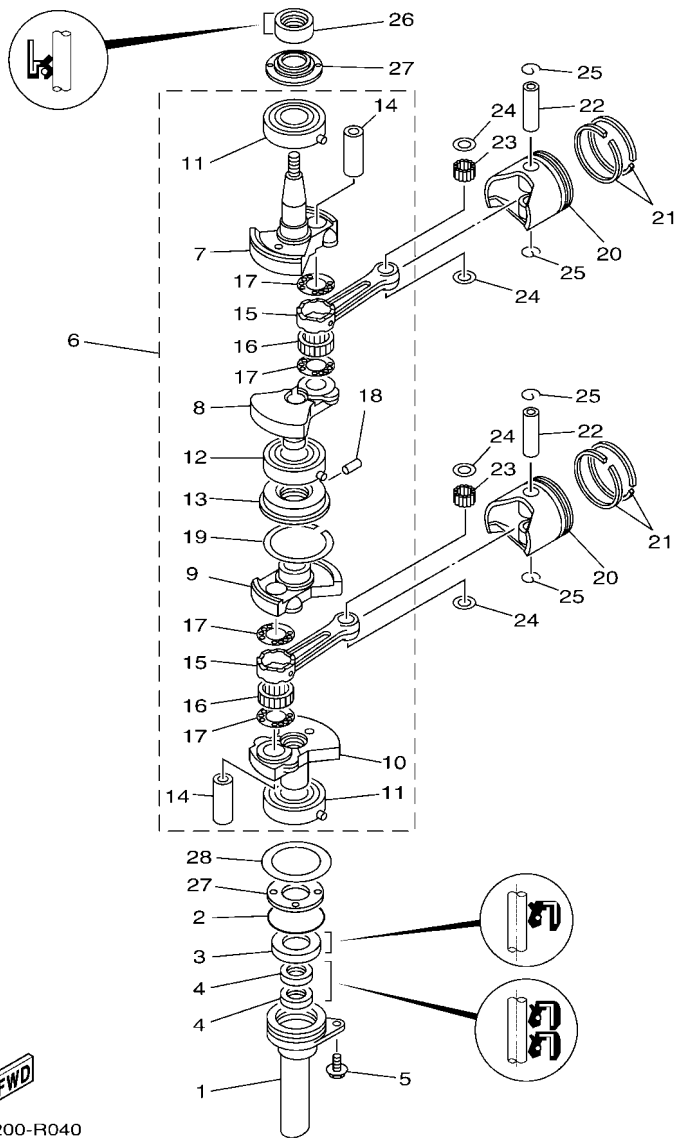
REF. NO.	PART NO.	DESCRIPTION	6B7G	6B9G	6B8G	6C0G	REMARKS
28	682-12414-A1	GASKET, COVER	1	1	1	1	
29	90119-06MA3	BOLT, WITH WASHER	4	4	4	4	
30	6B4-11351-A1	GASKET, CYLINDER	1	1	1	1	
31	90462-06008	CLAMP	1	1	1	1	
32	94702-00217	PLUG, SPARK (NGK B7HS-10)	2	2	2	2	

FIG. 4 CRANKSHAFT & PISTON



FWD
6B8F200-R040

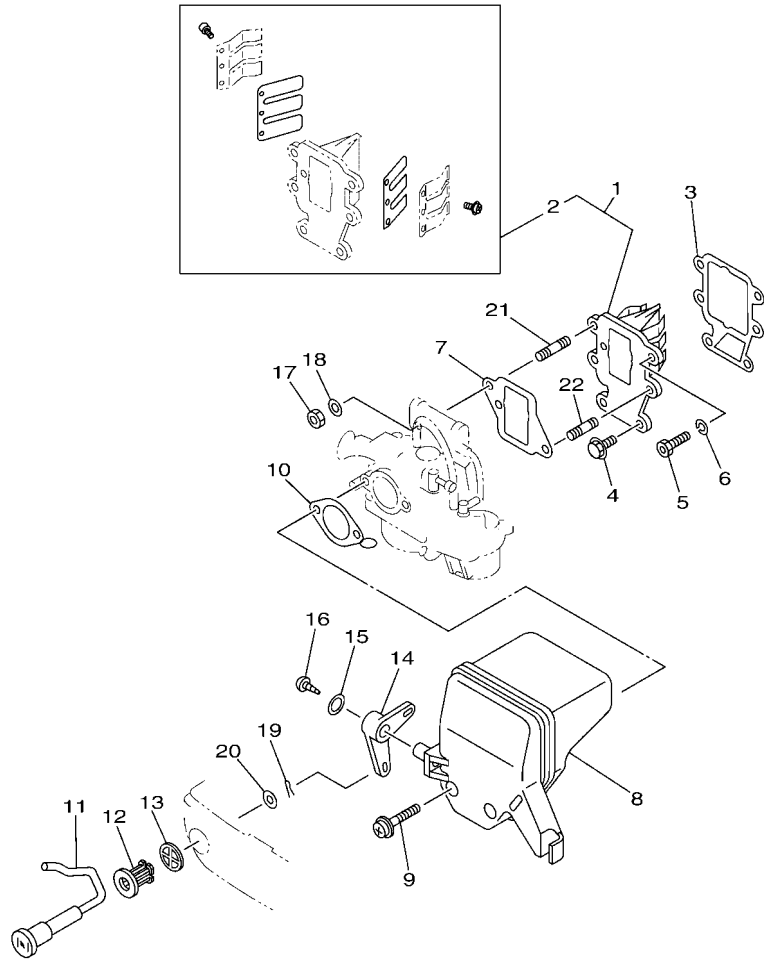
REF. NO.	PART NO.	DESCRIPTION					REMARKS
			6B7G	6B9G	6B8G	6C0G	
1	6B4-15396-00-CA	HOUSING, OIL SEAL	1	1	1	1	
2	93210-46MH8	O-RING	1	1	1	1	
3	93102-25010	OIL SEAL	1	1	1	1	
4	93101-13M27	OIL SEAL	2	2	2	2	
5	97595-06516	BOLT, WITH WASHER	1	1	1	1	
<hr/>							
6	6B4-11400-00	CRANKSHAFT ASSY	1	1	1	1	
7	63V-11412-00	.CRANK 1	1	1	1	1	
8	63V-11422-00	.CRANK 2	1	1	1	1	
9	63V-11432-00	.CRANK 3	1	1	1	1	
10	63V-11442-00	.CRANK 4	1	1	1	1	
<hr/>							
11	93306-205A1	.BEARING	2	2	2	2	
12	93390-00029	.BEARING	1	1	1	1	
13	63V-11515-02	.SEAL, LABYRINTH 1	1	1	1	1	
14	682-11681-00	.PIN, CRANK 1	2	2	2	2	
15	6K4-11651-00	.ROD, CONNECTING	2	2	2	2	
<hr/>							
16	93310-620W5	.BEARING	2	2	2	2	
17	90209-20M23	.WASHER	4	4	4	4	
18	91609-20008	.PIN, SPRING	1	1	1	1	
19	93440-52009	.CIRCLIP	1	1	1	1	
20	6E7-11631-00-97	PISTON (STD)	2	2	2	2	
<hr/>							
	6E7-11635-00	PISTON (0.25MM O/S)	2	2	2	2	AP
	6E7-11636-00	PISTON (0.50MM O/S)	2	2	2	2	AP
21	682-11610-01	PISTON RING SET (STD)	2	2	2	2	
	682-11610-11	PISTON RING SET (0.25MM O/S)	2	2	2	2	AP
	682-11610-21	PISTON RING SET (0.50MM O/S)	2	2	2	2	AP
<hr/>							
22	634-11633-00	PIN, PISTON	2	2	2	2	
23	93602-14104	PIN, DOWEL	50	50	50	50	



6B8F200-R040

FIG. 4 CRANKSHAFT & PISTON

REF. NO.	PART NO.	DESCRIPTION	6B7G	6B9G	6B8G	6C0G	REMARKS
24	90201-14377	WASHER, PLATE	4	4	4	4	
25	93450-15023	CIRCLIP	4	4	4	4	
26	93110-23M00	OIL SEAL	1	1	1	1	
27	63V-11445-00	SPACER	2	2	2	2	
28	90201-46M29	WASHER, PLATE	1	1	1	1	
<hr/>							
<hr/>							
<hr/>							
<hr/>							
<hr/>							
<hr/>							
<hr/>							
<hr/>							
<hr/>							
<hr/>							



6B8F200-R050

FIG. 5 INTAKE

REF. NO.	PART NO.	DESCRIPTION	6B7G	6B9G	6B8G	6C0G	REMARKS
1	6B8-13610-00	REED VALVE ASSY	1	1	1	1	
2	6B8-W0004-00	.REED SET	1	1	1	1	
3	682-13621-A1	GASKET, VALVE SEAT	1	1	1	1	
4	97595-06516	BOLT, WITH WASHER	3	3	3	3	
5	90101-06128	BOLT	1	1	1	1	
6	92903-06100	WASHER, SPRING	1	1	1	1	
7	677-14198-A1	GASKET	1	1	1	1	
8	6B8-14440-00	SILENCER ASSY, INTAKE	1	1	1	1	
9	90159-05007	SCREW, WITH WASHER	2	2	2	2	
10	6B8-14483-00	GASKET	1	1	1	1	
11	6B8-41271-01	KNOB, CHOKE	1	1	1	1	
12	6B4-41273-00	GROMMET	1	1	1	1	
13	6B4-41274-00	GROMMET 2	1	1	1	1	
14	6M7-41252-00	LEVER, CHOKE 1	1	1	1	1	
15	90201-05M03	WASHER, PLATE	1	1	1	1	
16	90164-05M00	SCREW, TAPPING	1	1	1	1	
17	95380-06700	NUT	2	2	2	2	
18	92995-06600	WASHER	2	2	2	2	
19	90468-10004	CLIP	1	1	1	1	
20	90202-05203	WASHER, PLATE	1	1	1	1	
21	90116-06130	BOLT, STUD	1	1	1	1	
22	95627-06325	BOLT, STUD	1	1	1	1	

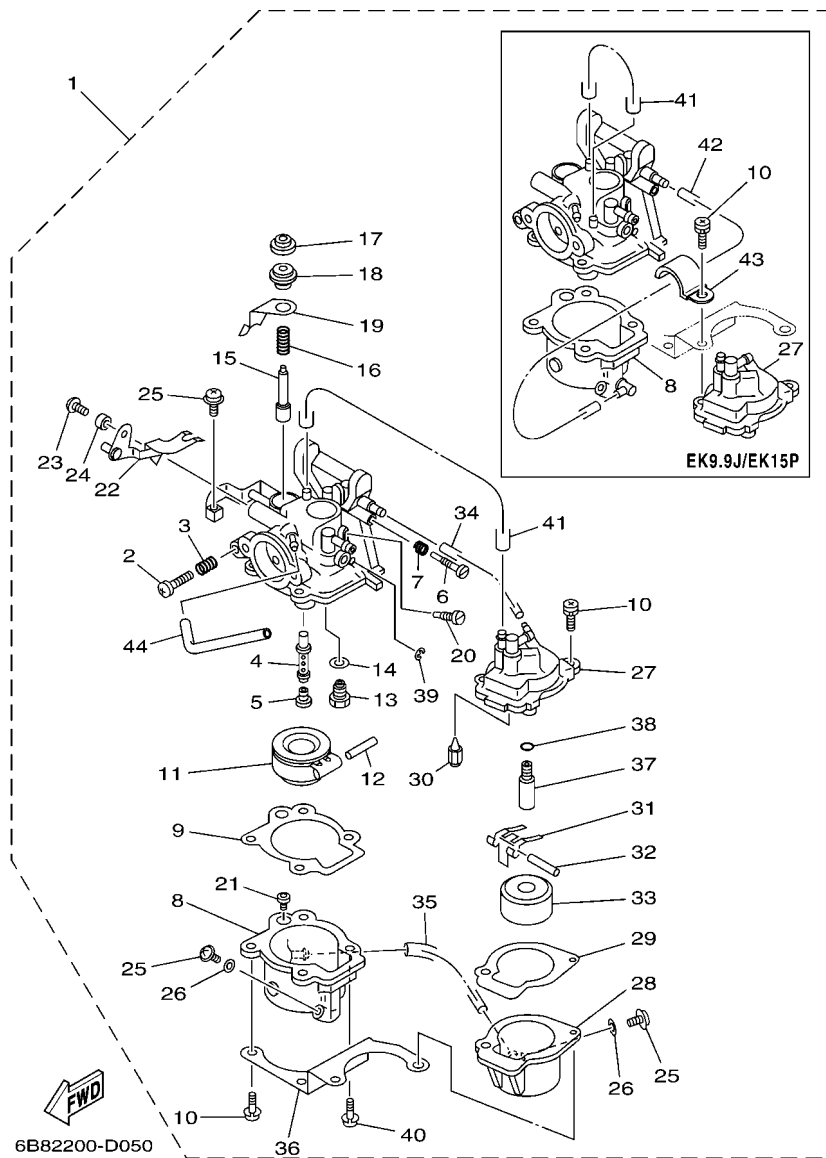


FIG. 6 CARBURETOR

REF. NO.	PART NO.	DESCRIPTION	6B7G	6B9G	6B8G	6C0G	REMARKS
1	6B8-14301-00	CARBURETOR ASSY 1	1		1		
	6C0-14301-01	CARBURETOR ASSY 1		1		1	
2	650-14321-01	.SCREW, THROTTLE	1	1	1	1	
3	626-14333-00	.SPRING, THROTTLE STOP	1	1	1	1	
4	6M7-14341-00	.NOZZLE, MAIN	1	1	1	1	
5	648-14343-51	.JET, MAIN (#102)	1		1		
	648-14343-46	.JET, MAIN (# 92)		1		1	
6	647-14323-00	.SCREW, AIR ADJUSTING	1	1	1	1	
7	646-14212-01	.SPRING, PILOT ADJUSTING	1	1	1	1	
8	680-14381-00	.BODY, FLOAT CHAMBER	1		1		
	680-14381-10	.BODY, FLOAT CHAMBER		1		1	
9	650-14384-00	.GASKET, FLOAT CHAMBER	1	1	1	1	
10	97980-04115	.SCREW, WITH WASHER	4	4	4	4	
11	6B8-14385-00	.FLOAT	1	1	1	1	
12	626-14386-10	.PIN, FLOAT	1	1	1	1	
13	677-14390-12	.NEEDLE VALVE ASSY	1	1	1	1	
14	626-14398-00	.GASKET	1	1	1	1	
15	626-14371-00	.PLUNGER, STARTER	1	1	1	1	
16	626-14335-00	.SPRING, PLUNGER	1	1	1	1	
17	626-14373-00	.COVER, PLUNGER CAP	1	1	1	1	
18	626-14374-00	.CAP, PLUNGER	1	1	1	1	
19	626-14378-00	.PLATE, STARTER LEVER 1	1	1	1	1	
20	648-14342-23	.JET, PILOT (# 46)	1	1	1	1	
21	648-14344-25	.JET, STARTER (# 50)	1		1		
	6C0-14344-40	.JET, STARTER (# 80)		1		1	
22	6M7-14376-00	.LEVER, STARTER 2	1	1	1	1	
23	650-14327-01	.SCREW	1	1	1	1	

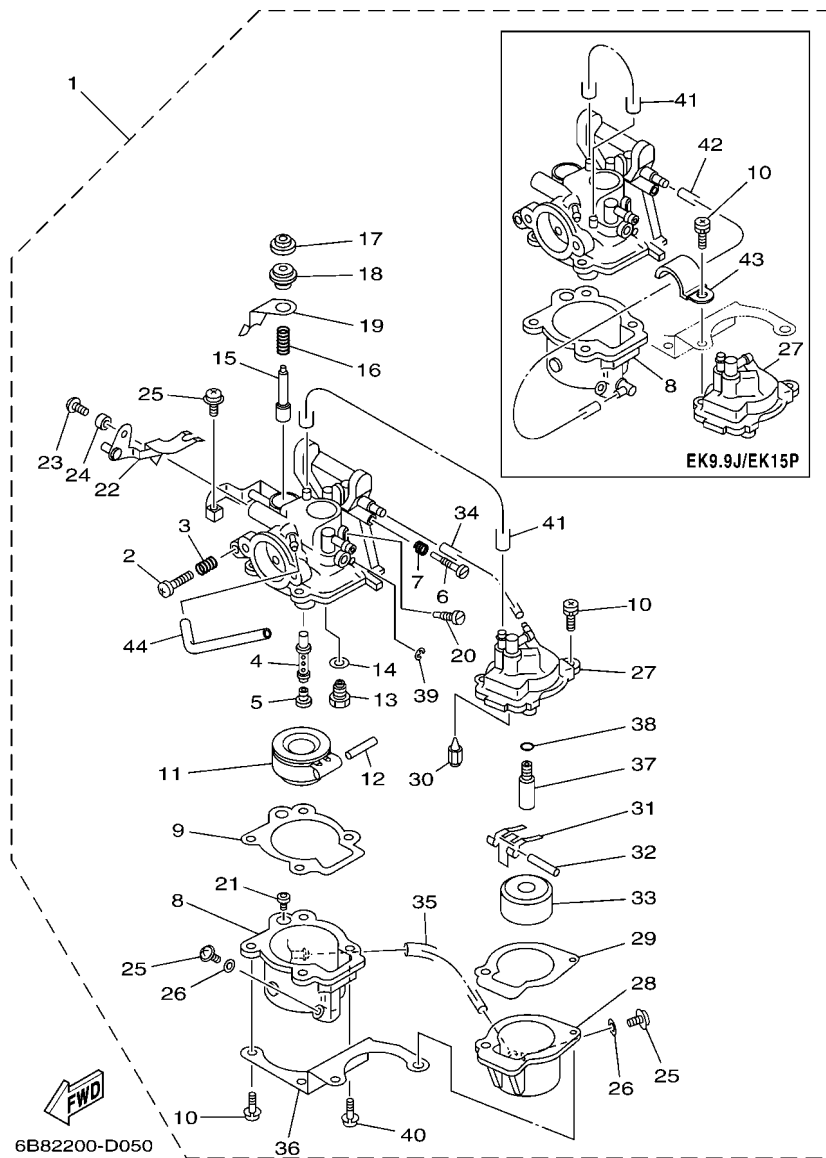
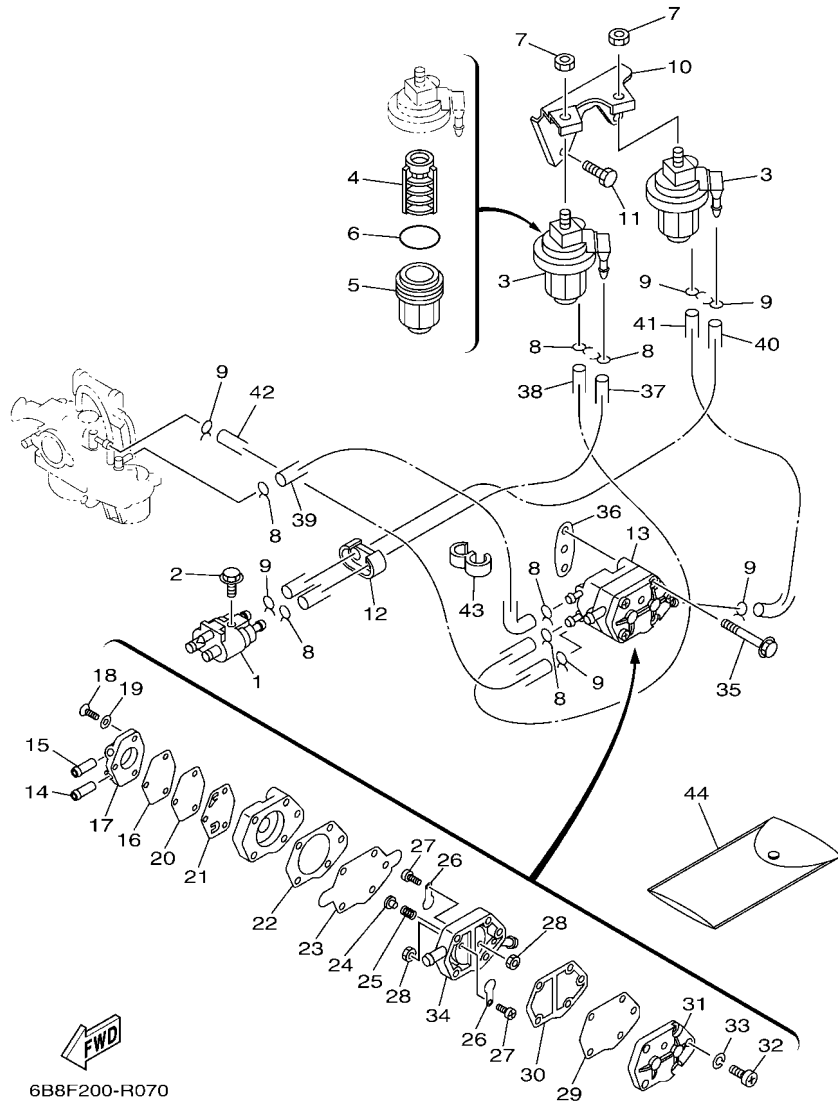


FIG. 6 CARBURETOR

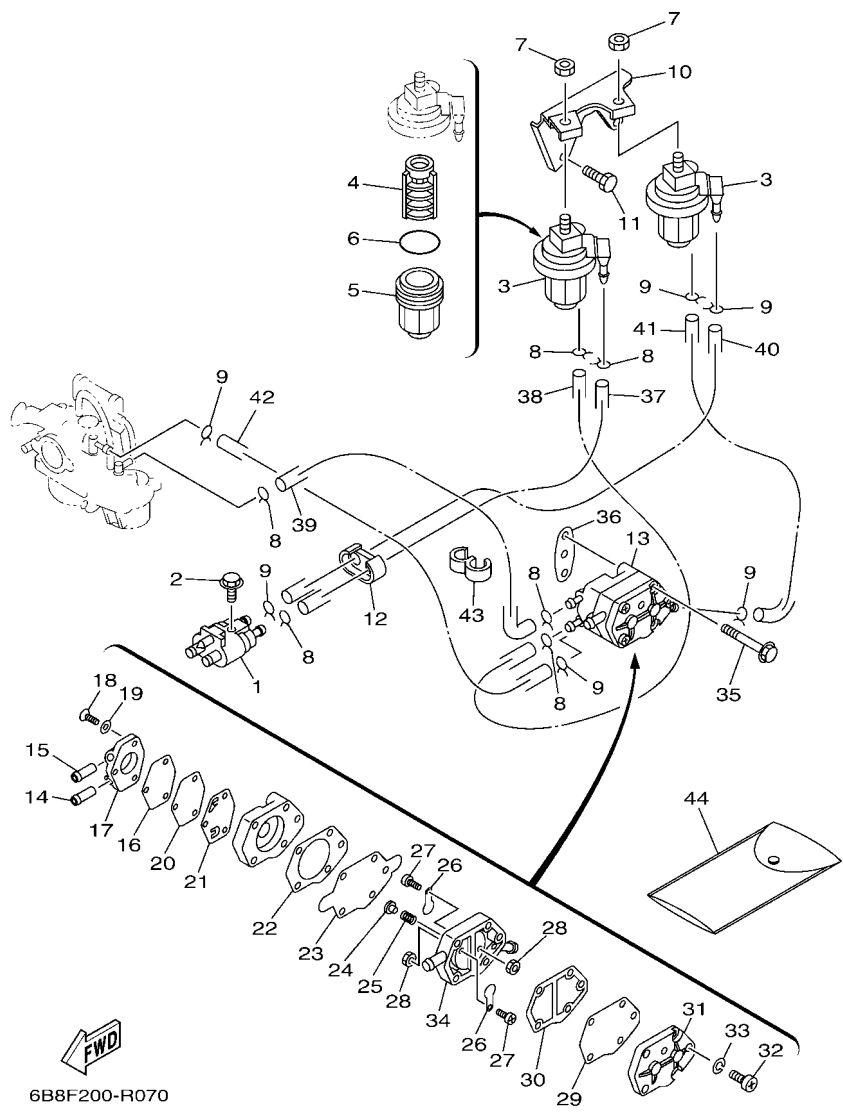
REF. NO.	PART NO.	DESCRIPTION	6B7G	6B9G	6B8G	6C0G	REMARKS
24	650-14349-00	.PIPE	1	1	1	1	
25	97980-04005	.SCREW, WITH WASHER	3	3	3	3	
26	6L2-14398-00	.GASKET	2	2	2	2	
27	65G-14182-00	.COVER, FLOAT CHAMBER	1		1		
	65G-14182-20	.COVER, FLOAT CHAMBER			1	1	
28	680-14181-00	.BODY, FLOAT CHAMBER 1	1	1	1	1	
29	652-14384-00	.GASKET, FLOAT CHAMBER	1	1	1	1	
30	6F5-14392-00	.VALVE, NEEDLE	1	1	1	1	
31	652-14387-40	.ARM, FLOAT	1	1	1	1	
32	6M7-14386-00	.PIN, FLOAT	1	1	1	1	
33	652-14385-00	.FLOAT	1	1	1	1	
34	6A4-14348-00	.PIPE 1	1		1		
35	6M7-14348-00	.PIPE 1	1	1	1	1	
36	65G-14346-00	.PLATE	1	1	1	1	
37	652-14353-34	.JET, PILOT (# 68)	1	1	1	1	
38	652-14147-00	.O-RING	1	1	1	1	
39	93430-04301	.CIRCLIP	1	1	1	1	
40	97980-04112	.SCREW, WITH WASHER	2	2	2	2	
41	65G-14348-00	.PIPE 1	1		1		
	65G-14348-00	.PIPE 1			2	2	
42	65G-14348-11	.PIPE 1		1		1	
43	65G-14261-00	.HOLDER		1		1	
44	6B8-14349-00	.PIPE	1	1	1	1	

FIG. 7 FUEL 1



6B8F200-R070

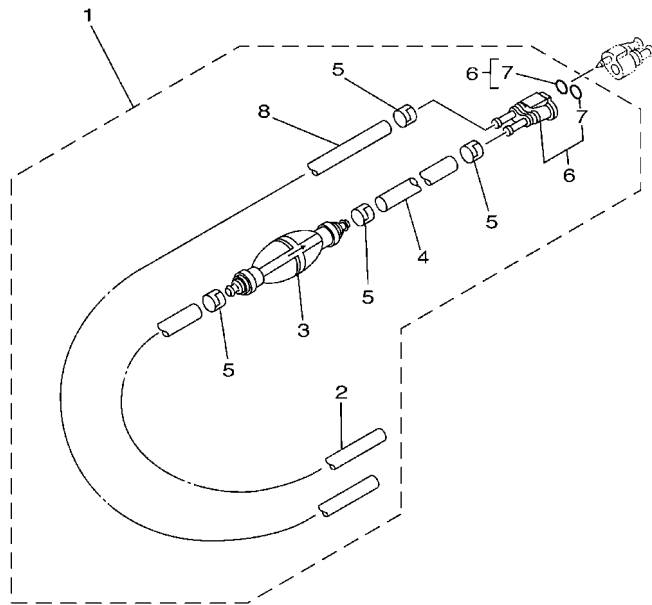
REF. NO.	PART NO.	DESCRIPTION	6B7G	6B9G	6B8G	6C0G	REMARKS
1	680-24304-10	FUEL PIPE JOINT COMP. 1	1	1	1	1	
2	97595-06520	BOLT, WITH WASHER	1	1	1	1	
3	61N-24560-00	FILTER ASSY	2	2	2	2	
4	61N-24563-00	.ELEMENT, FILTER	1	1	1	1	
5	61N-24521-00	.CUP, FILTER	1	1	1	1	
6	93210-32738	.O-RING	1	1	1	1	
7	95380-08600	NUT	2	2	2	2	
8	90467-08004	CLIP	6	6	6	6	
9	90467-09M03	CLIP	6	6	6	6	
10	6B8-24566-01	BRACKET, FILTER	1	1	1	1	
11	97013-06012	BOLT	2	2	2	2	
12	6A4-24329-00	SEAL	1	1	1	1	
13	6A4-24410-06	FUEL PUMP ASSY	1	1	1	1	
14	652-24461-00	.PIPE, JOINT	1	1	1	1	
15	62C-24461-00	.PIPE, JOINT	1	1	1	1	
16	652-24471-10	.DIAPHRAGM	1	1	1	1	
17	652-24415-01	.BODY 4	1	1	1	1	
18	98780-04010	.SCREW, FLAT HEAD	3	3	3	3	
19	92990-04500	.WASHER	3	3	3	3	
20	6A4-24471-00	.DIAPHRAGM	1	1	1	1	
21	652-24432-00	.GASKET, FUEL PUMP 2	1	1	1	1	
22	648-24434-01	.GASKET, BODY	1	1	1	1	
23	648-24411-00	.DIAPHRAGM	1	1	1	1	
24	648-24424-00	.SEAT, SPRING	1	1	1	1	
25	648-24423-00	.SPRING, DIAPHRAGM	1	1	1	1	
26	6A0-24421-01	.VALVE, CHECK	2	2	2	2	
27	6A0-14325-00	.SCREW, PAN HEAD	2	2	2	2	



6B8F200-R070

FIG. 7 FUEL 1

REF. NO.	PART NO.	DESCRIPTION	6B7G	6B9G	6B8G	6C0G	REMARKS
28	95380-03600	.NUT	2	2	2	2	
29	663-24411-00	.DIAPHRAGM	1	1	1	1	
30	648-24435-02	.GASKET, BODY 2	1	1	1	1	
31	6A0-24413-00	.BODY 2	1	1	1	1	
32	98503-05028	.SCREW, PAN HEAD	3	3	3	3	
33	92990-05100	.WASHER, SPRING	3	3	3	3	
34	6A0-24412-02	.BODY 1	1	1	1	1	
35	97595-06550	BOLT, WITH WASHER	2	2	2	2	
36	650-24431-A0	GASKET, FUEL PUMP 1	1	1	1	1	
37	90445-09104	HOSE (L300)	1	1	1	1	
38	61A-24314-00	PIPE 4	1	1	1	1	
39	688-24314-00	PIPE 4	1	1	1	1	
40	6B8-24311-00	PIPE, FUEL 1	1	1	1	1	
41	6B8-24312-00	PIPE 2	1	1	1	1	
42	90445-100E9	HOSE (L155)	1	1	1	1	
43	90464-09M21	CLAMP	1	1	1	1	
44	656-W2810-02	TOOL KIT	1	1	1	1	

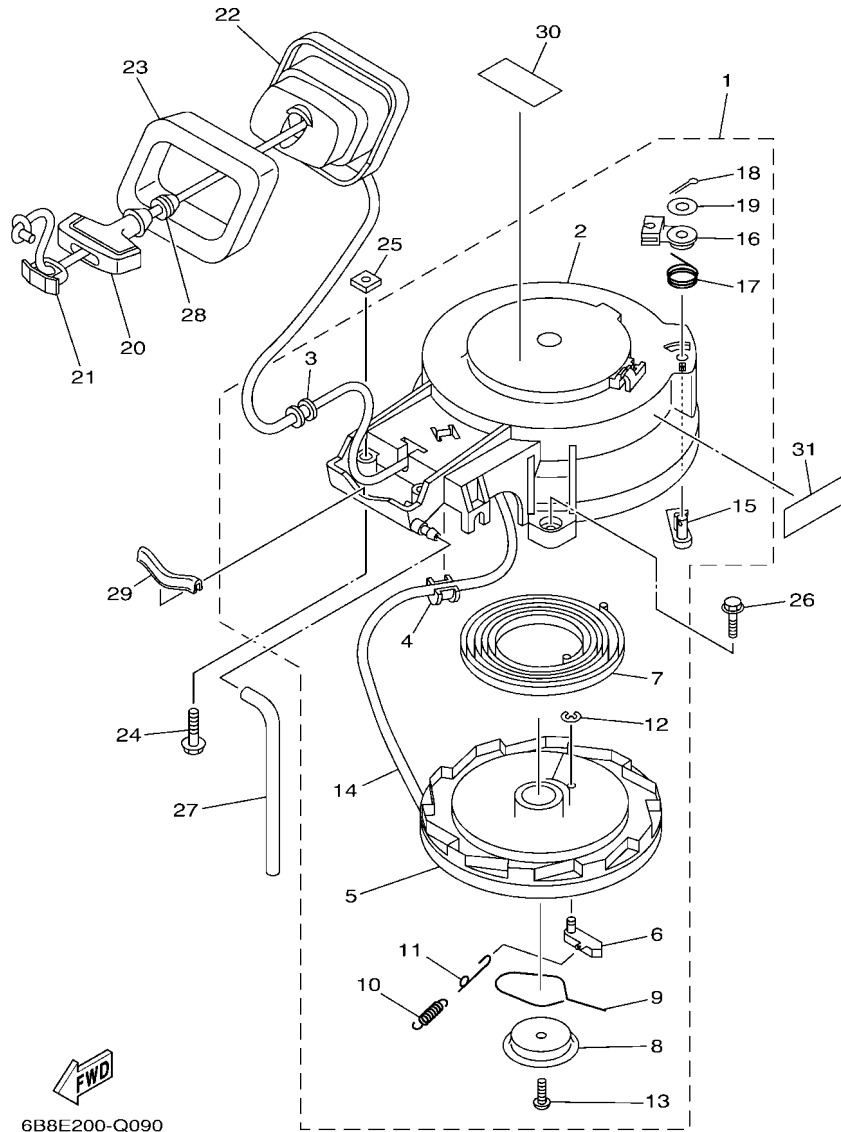


6801200-2070

FIG. 8 FUEL 2

REF. NO.	PART NO.	DESCRIPTION	6B7G	6B9G	6B8G	6C0G	REMARKS
1	6Y3-24306-04	FUEL PIPE COMP. 1		1		1	AP
2	90445-11M06	.HOSE (L2050)		1		1	
3	61J-24360-00	.PRIMER PUMP ASSY		1		1	
4	90445-11M05	.HOSE (L850)		1		1	
5	650-24351-51	.BAND 1		4		4	
6	680-24305-01	.FUEL PIPE JOINT COMP. 2		1		1	
7	93210-08287	..O-RING		2		2	
8	90445-11M81	.HOSE (L3000)		1		1	

FIG. 9 STARTER

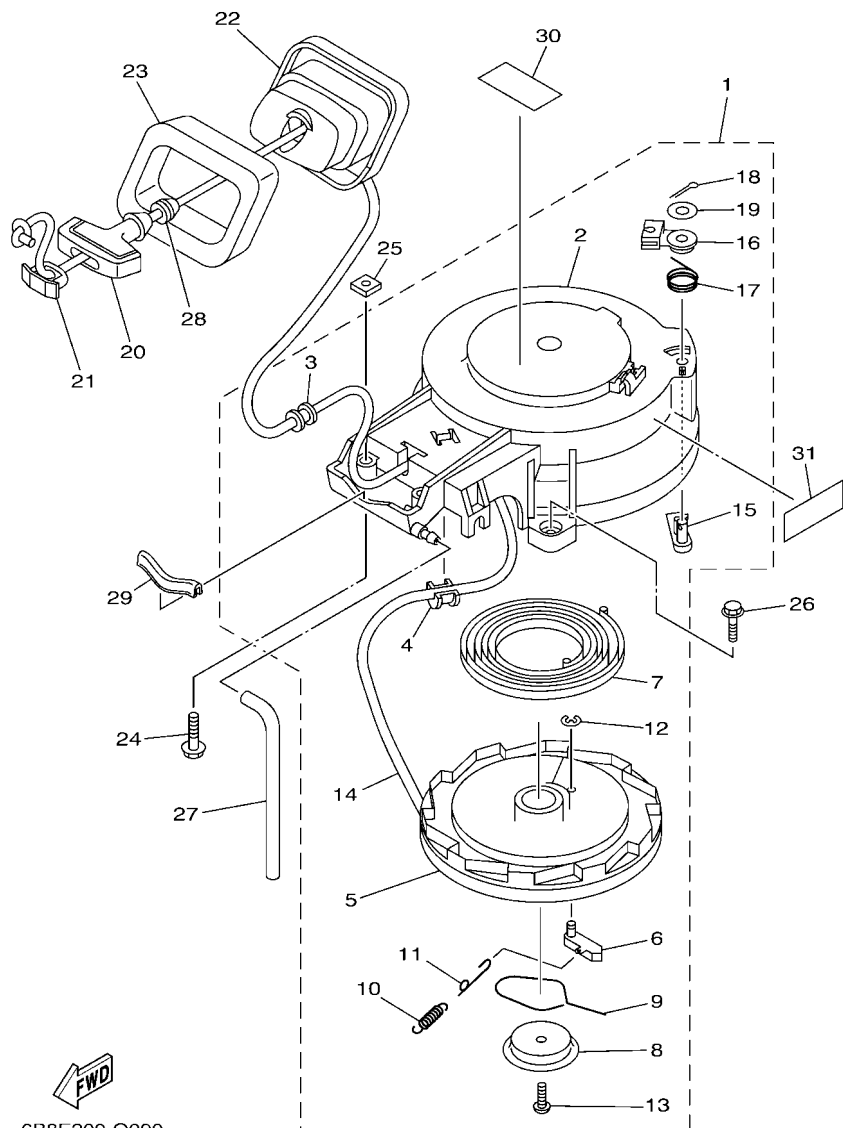


6B8E200-Q090

*1: CUT FROM 50M ROLLS, PART NO.90890-44373, CUTTING LENGTH 1.8M

REF. NO.	PART NO.	DESCRIPTION	6B7G	6B9G	6B8G	6C0G	REMARKS
1	6B4-15710-10	STARTER ASSY	1	1	1	1	
2	6B4-15711-10	.CASE, STARTER	1	1	1	1	
3	63V-15764-00	.COLLAR 1	1	1	1	1	
4	68T-15764-00	.COLLAR 1	1	1	1	1	
5	63V-15714-00	.DRUM, SHEAVE	1	1	1	1	
6	63V-15741-00	.PAWL, DRIVE	1	1	1	1	
7	63V-15713-00	.SPRING, STARTER	1	1	1	1	
8	63V-15716-10	.PLATE, DRIVE	1	1	1	1	
9	63V-15705-10	.SPRING, DRIVE PAWL	1	1	1	1	
10	63V-15767-01	.SPRING	1	1	1	1	
11	68T-15784-00	.SPRING, RETURN	1	1	1	1	
12	63V-15744-00	.CIRCLIP	1	1	1	1	
13	68T-15793-00	.SCREW	1	1	1	1	
14	*	.WIRE, STARTER (L:1800MM)	1	1	1	1	*1
15	63V-15794-00	.STOPPER	1	1	1	1	
16	63V-15748-00	.PLUNGER, STARTER STOP	1	1	1	1	
17	63V-15734-00	.SPRING, RETURN	1	1	1	1	
18	91490-16018	.PIN. COTTER	1	1	1	1	
19	63V-15726-00	.WASHER, FLAT	1	1	1	1	
20	6G1-15755-00	HANDLE, STARTER	1	1	1	1	
21	6G1-15779-00	COVER	1	1	1	1	
22	6B4-15758-A0	GUIDE, ROPE	1	1	1	1	
23	6B4-15762-00	SEAL, RUBBER 2	1	1	1	1	
24	97595-06535	BOLT, WITH WASHER	2	2	2	2	
25	90173-06009	NUT, SQUARE	2	2	2	2	
26	90119-06M82	BOLT, WITH WASHER	3	3	3	3	
27	6J8-24311-00	PIPE, FUEL 1	1	1	1	1	

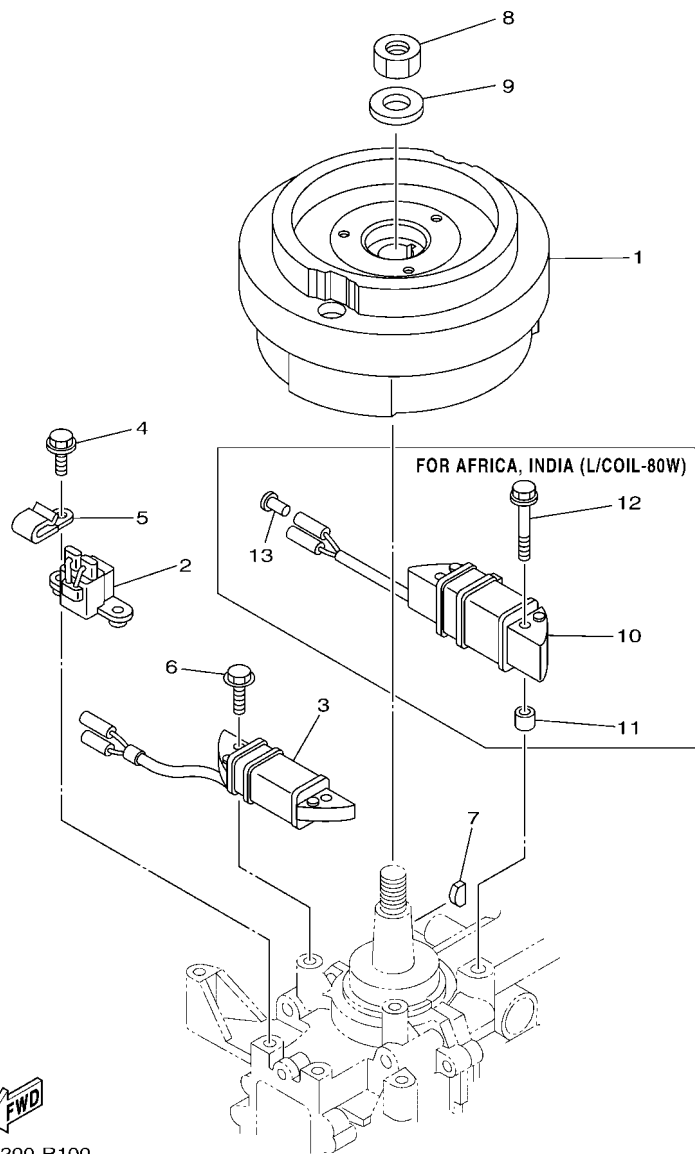
FIG. 9 STARTER



*1: CUT FROM 50M ROLLS, PART NO.90890-44373, CUTTING LENGTH 1.8M

REF. NO.	PART NO.	DESCRIPTION	6B7G	6B9G	6B8G	6C0G	REMARKS
28	6A0-15789-00	DAMPER	1	1	1	1	
29	6B4-15663-00	SEAL	1	1	1	1	
30	6EE-81995-40	LABEL, WARNING	1	1	1	1	
31	6EE-81994-40	LABEL, SAFETY	1	1	1	1	

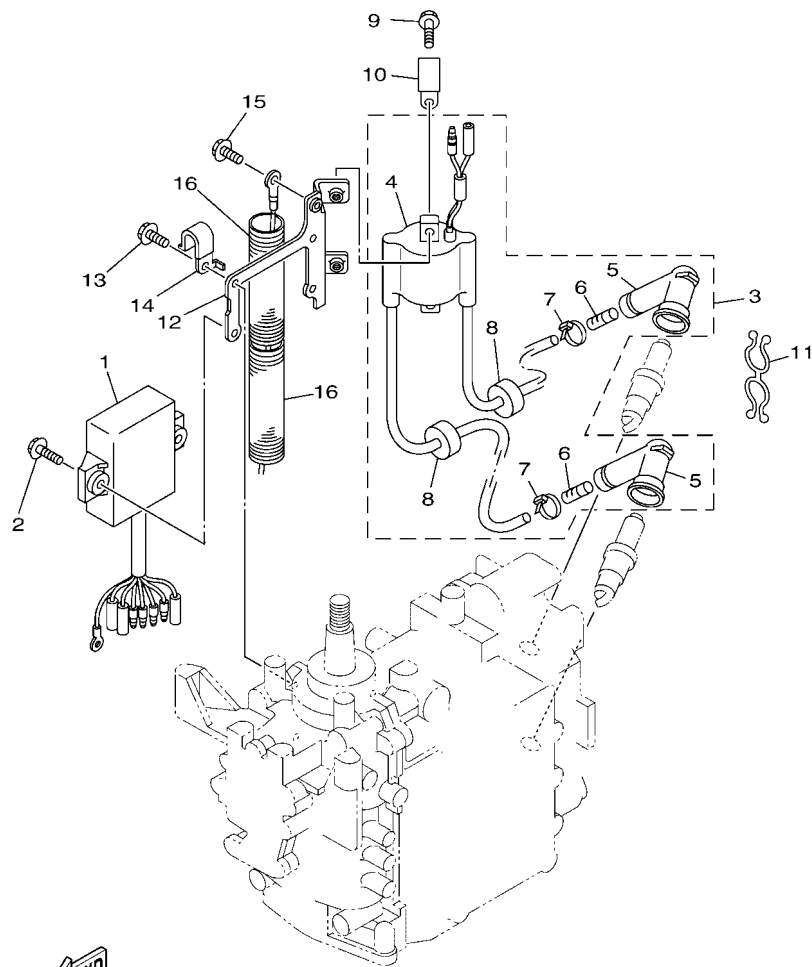
FIG. 10 GENERATOR



6B8F200-R100

REF. NO.	PART NO.	DESCRIPTION	6B7G	6B9G	6B8G	6C0G	REMARKS
1	6B4-85550-10	ROTOR ASSY	1	1	1	1	
2	6B4-85580-00	COIL, PULSER	1	1	1	1	
3	6B4-85520-00	COIL, CHARGE	1	1	1	1	
4	90119-06023	BOLT, WITH WASHER	2	2	2	2	
5	90465-06M90	CLAMP	1	1	1	1	
6	97595-06520	BOLT, WITH WASHER	2	2	2	2	
7	90280-05013	KEY, WOODRUFF	1	1	1	1	
8	90170-12066	NUT	1	1	1	1	
9	90201-12472	WASHER, PLATE	1	1	1	1	
10	63V-85533-00	COIL, LIGHTING	1		1		FOR AFR,IND
11	90387-06M24	COLLAR	2		2		FOR AFR,IND
12	90119-06M40	BOLT, WITH WASHER	2		2		FOR AFR,IND
13	703-82119-00	COVER, LEAD WIRE	2		2		FOR AFR,IND

FIG. 11 ELECTRICAL



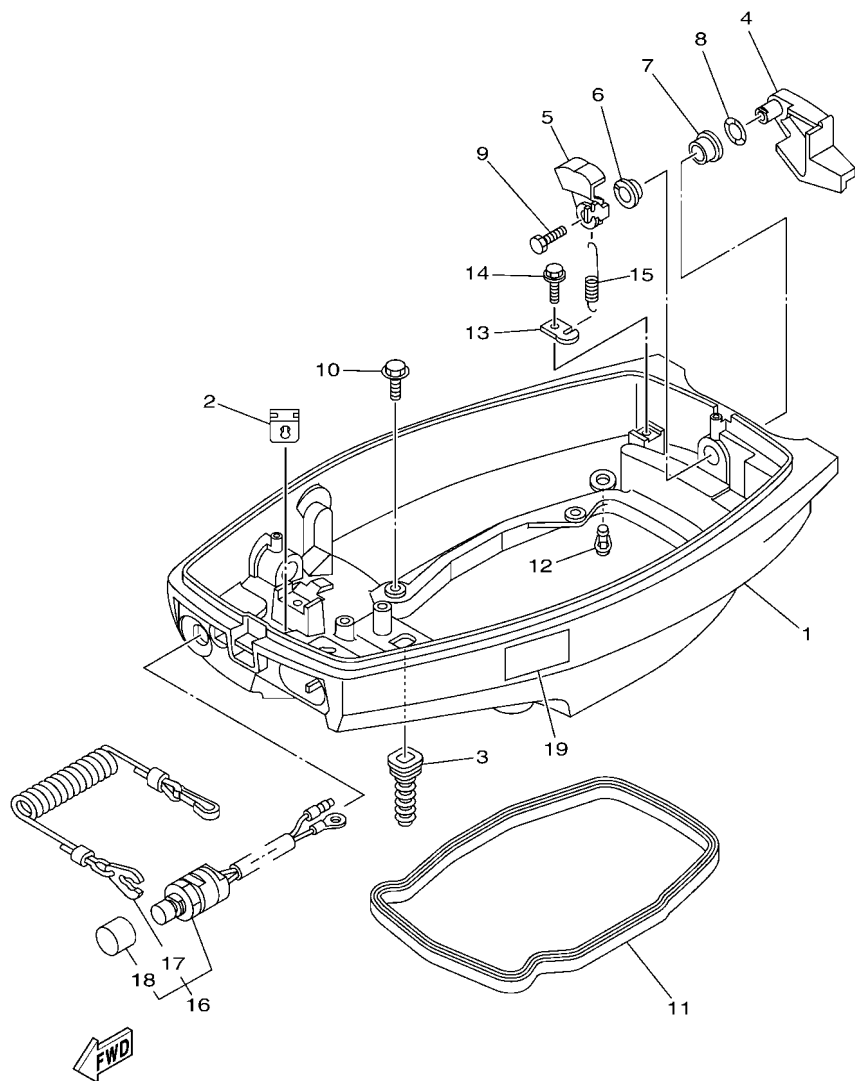
6B8F200-R110



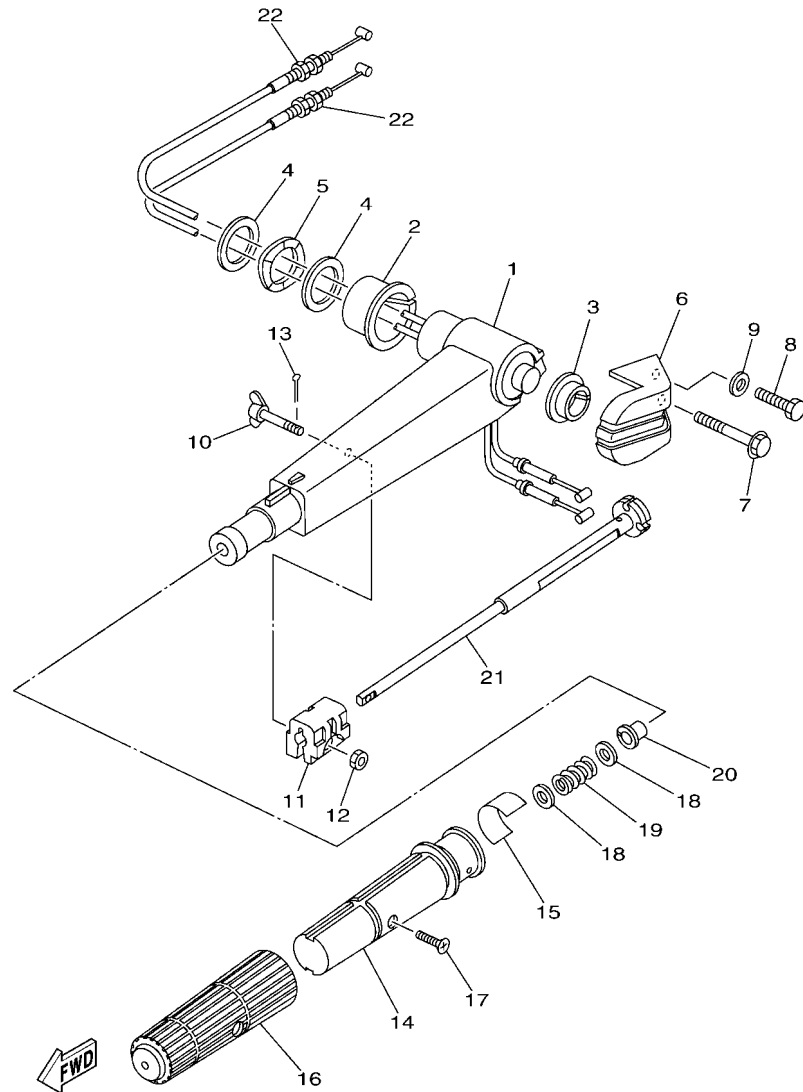
REF. NO.	PART NO.	DESCRIPTION	6B7G	6B9G	6B8G	6C0G	REMARKS
1	6B8-85540-01	C.D.I. UNIT ASSY	1	1	1	1	
2	97595-06520	BOLT, WITH WASHER	2	2	2	2	
3	6B4-85530-00	IGNITION COIL ASSY	1	1	1	1	
4	6B4-85570-00	IGNITION COIL ASSY	1	1	1	1	
5	62E-82371-11	CAP, PLUG	2	2	2	2	
6	62E-8231X-00	TERMINAL 1	2	2	2	2	
7	90465-11M10	CLAMP	2	2	2	2	
8	90480-25161	GROMMET	2	2	2	2	
9	97595-06516	BOLT, WITH WASHER	2	2	2	2	
10	90465-06M90	CLAMP	1	1	1	1	
11	90464-08M02	CLAMP	1	1	1	1	
12	6B4-82316-00	BRACKET, IGNITION COIL	1	1	1	1	
13	97595-06514	BOLT, WITH WASHER	2	2	2	2	
14	90465-08M99	CLAMP	1	1	1	1	
15	97595-06510	BOLT, WITH WASHER	1	1	1	1	
16	6N7-83557-00	TUBE (I.DIA:22MM)	2	2	2	2	

FIG. 12 BOTTOM COWLING

REF. NO.	PART NO.	DESCRIPTION	6B7G	6B9G	6B8G	6C0G	REMARKS
1	6B4-42711-00-8D	COWLING, BOTTOM 1	1	1	1	1	
2	61N-26326-00	GROMMET	1	1	1	1	
3	6B4-42727-00	GROMMET	1	1	1	1	
4	6B4-42815-00-8D	LEVER, CLAMP 1	1	1	1	1	
5	6B4-42816-00	LEVER, CLAMP 2	1	1	1	1	
6	90386-12M45	BUSH	1	1	1	1	
7	90386-12MA2	BUSH	1	1	1	1	
8	90206-12052	WASHER, WAVE	1	1	1	1	
9	97095-06014	BOLT	1	1	1	1	
10	97595-06516	BOLT, WITH WASHER	4	4	4	4	
11	6B4-42716-00	RUBBER SEAL 1	1	1	1	1	
12	6BL-44391-00	NIPPLE, HOSE	1	1	1	1	
13	66T-43144-00	HOOK, SPRING	1	1	1	1	
14	90109-06M80	BOLT	1	1	1	1	
15	90506-18009	SPRING, TENSION	1	1	1	1	
16	689-82575-04	ENGINE STOP SWITCH ASSY	1	1	1	1	
17	682-82556-00	.LANYARD, STOP SWITCH	1	1	1	1	
18	689-8257Y-00	.CAP	1	1	1	1	
19	6EE-42794-40	LABEL, WARNING (GENERAL)	1	1	1	1	



6B8F200-R120

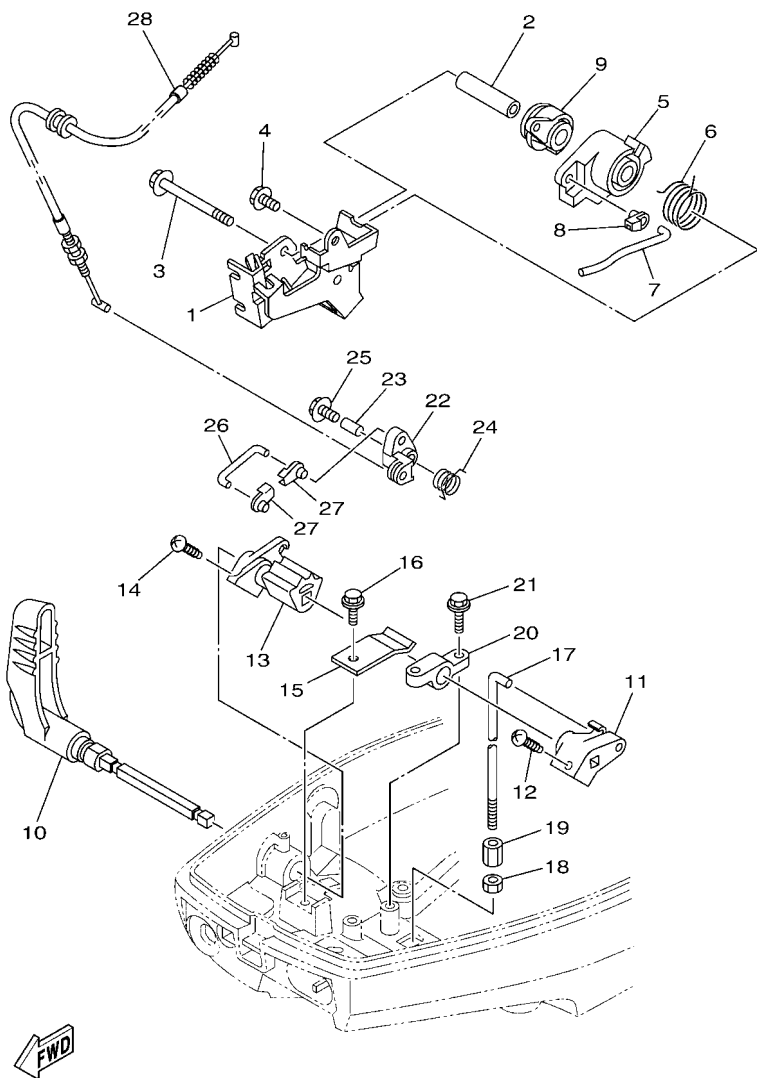


6B8F200-R130

FIG. 13 STEERING

REF. NO.	PART NO.	DESCRIPTION	6B7G	6B9G	6B8G	6C0G	REMARKS
1	6B4-42111-00-8D	HANDLE, STEERING	1	1	1	1	
2	90381-35001	BUSH, SOLID	1	1	1	1	
3	90381-20001	BUSH, SOLID	1	1	1	1	
4	90201-28013	WASHER, PLATE	2	2	2	2	
5	90206-28001	WASHER, WAVE	1	1	1	1	
6	6B4-42131-00-4D	COVER, HANDLE STEERING	1	1	1	1	
7	97595-08555	BOLT, WITH WASHER	1	1	1	1	
8	97095-08030	BOLT	1	1	1	1	
9	92995-08600	WASHER	1	1	1	1	
10	6B4-42125-00	BOLT, FRICTION ADJUSTING	1	1	1	1	
11	6B4-42126-00	FRICTION, STEERING HANDLE GRIP	1	1	1	1	
12	95380-06600	NUT, HEXAGON	1	1	1	1	
13	91490-16010	PIN. COTTER	1	1	1	1	
14	6B4-42119-00	GRIP, STEERING HANDLE	1	1	1	1	
15	6F5-42137-20	INDICATOR, THROTTLE	1	1	1	1	
16	6G1-42177-00	RUBBER, HANDLE	1	1	1	1	
17	90152-05011	SCREW, COUNTERSUNK	1	1	1	1	
18	90201-10M02	WASHER, PLATE	2	2	2	2	
19	90501-23215	SPRING, COMPRESSION	1	1	1	1	
20	90386-08032	BUSH	1	1	1	1	
21	6B4-42138-00	LEVER, THROTTLE	1	1	1	1	
22	6B4-26301-00	THROTTLE CABLE ASSY	2	2	2	2	

FIG. 14 CONTROL

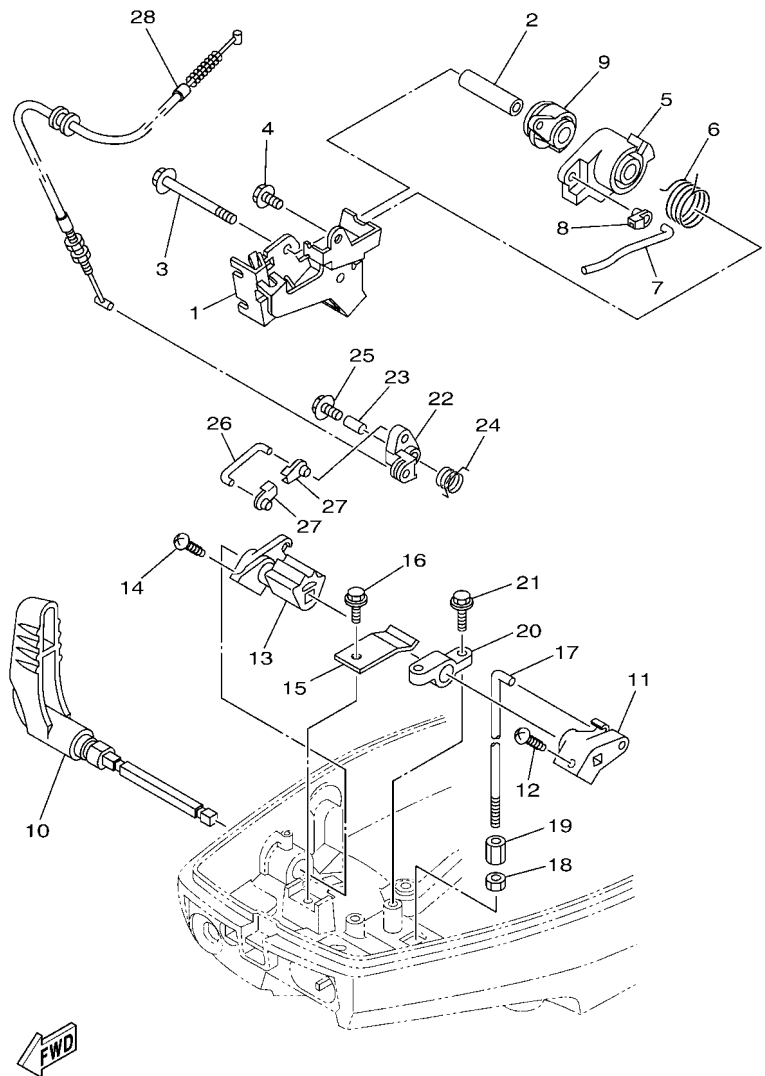


6B8F200-R140

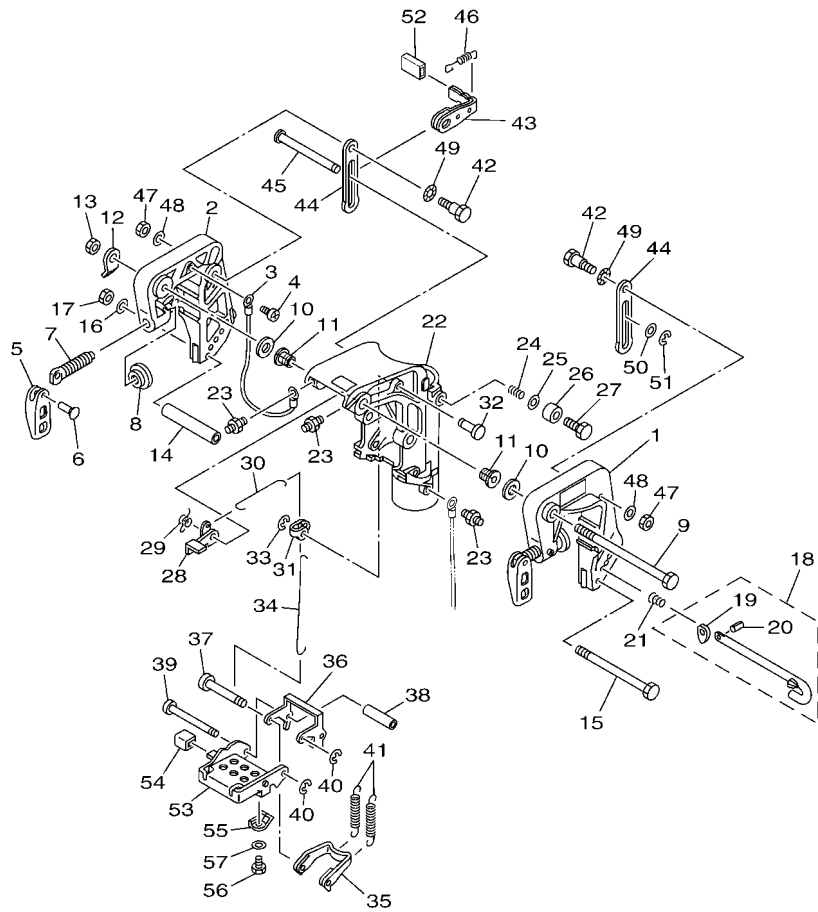
REF. NO.	PART NO.	DESCRIPTION	6B7G	6B9G	6B8G	6C0G	REMARKS
1	63V-14497-02	STAY, THROTTLE WIRE	1	1	1	1	
2	90387-06M50	COLLAR	1	1	1	1	
3	95895-06065	BOLT, FLANGE	1	1	1	1	
4	97595-06512	BOLT, WITH WASHER	1	1	1	1	
5	6B4-41283-00	LEVER, FREE ACCEL.	1	1	1	1	
6	90508-20M38	SPRING, TORSION	1	1	1	1	
7	63V-41211-00	LINK, ACCEL.	1	1	1	1	
8	6J8-41262-00	JOINT, CHOKE LEVER	1	1	1	1	
9	6B4-41638-00	PULLEY	1	1	1	1	
10	6B4-44111-01-8D	HANDLE, GEAR SHIFT	1	1	1	1	
11	6B4-44121-00	LEVER, SHIFT ROD	1	1	1	1	
12	97780-40520	SCREW, TAPPING	1	1	1	1	
13	6B4-44125-00	LEVER, SHIFT ROD	1	1	1	1	
14	97780-40520	SCREW, TAPPING	1	1	1	1	
15	6B4-44116-00	SPRING	1	1	1	1	
16	90109-06M80	BOLT	1	1	1	1	
17	6B4-44143-00	ROD, SHIFT 1	1	1	1	1	
18	95380-06700	NUT	1	1	1	1	
19	61N-44146-00	CONNECTOR, SHIFT ROD 2	1	1	1	1	
20	6B4-41662-00	BRACKET 2	1	1	1	1	
21	90109-06M81	BOLT	2	2	2	2	
22	6B4-15746-00	ARM	1	1	1	1	
23	90387-06M06	COLLAR	1	1	1	1	
24	90508-08M39	SPRING, TORSION	1	1	1	1	
25	97595-06520	BOLT, WITH WASHER	1	1	1	1	
26	6L2-15747-00	LINK	1	1	1	1	
27	6J8-41262-00	JOINT, CHOKE LEVER	2	2	2	2	

FIG. 14 CONTROL

REF. NO.	PART NO.	DESCRIPTION	6B7G	6B9G	6B8G	6C0G	REMARKS
28	6B4-15770-00	CABLE COMP., STARTER STOP	1	1	1	1	



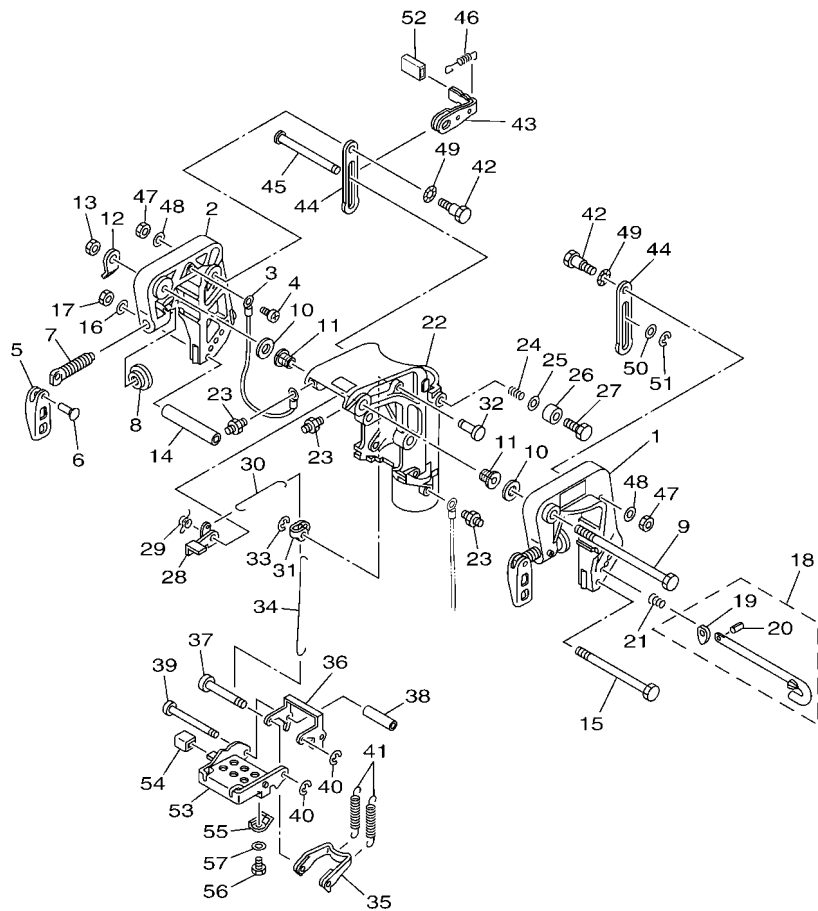
6B8F200-R140




6B81200C1401

FIG. 15 BRACKET 1

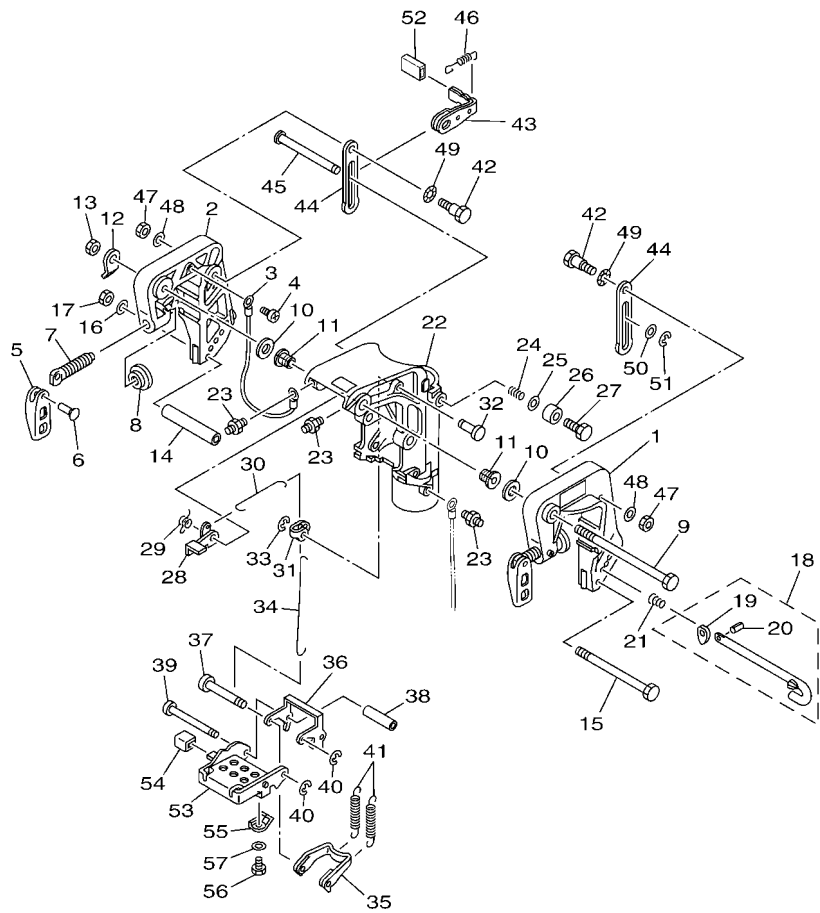
REF. NO.	PART NO.	DESCRIPTION	6B7G	6B9G	6B8G	6C0G	REMARKS
1	682-43111-05-8D	BRACKET, CLAMP 1	1	1	1	1	
2	682-43112-05-8D	BRACKET, CLAMP 2	1	1	1	1	
3	6E5-82148-00	WIRE, LEAD 4	1	1	1	1	
4	97885-06008	SCREW, PAN HEAD	1	1	1	1	
5	663-43118-01-8D	HANDLE, TRANSOM CLAMP	2	2	2	2	
6	90243-04007	PIN	2	2	2	2	
7	6E7-43116-00	SCREW, TRANSOM CLAMP	2	2	2	2	
8	648-43114-01	PAD, TRANSOM CLAMP	2	2	2	2	
9	90101-12013	BOLT	1	1	1	1	
10	90201-12018	WASHER, PLATE	2	2	2	2	
11	90381-12001	BUSH, SOLID	2	2	2	2	
12	6B4-43113-00	PLATE, CLAMP BRACKET	1	1	1	1	
13	95780-12300	NUT, FLANGE	1	1	1	1	
14	90387-06M13	COLLAR	1	1	1	1	
15	90101-06M29	BOLT	1	1	1	1	
16	92995-06600	WASHER	1	1	1	1	
17	95380-06700	NUT	1	1	1	1	
18	689-43160-00	TILT ROD ASSY	1	1	1	1	
19	689-43165-00	.PLATE, TILT LOCK	1	1	1	1	
20	91690-30008	.PIN, SPRING	1	1	1	1	
21	90502-10M07	SPRING, CONICAL	1	1	1	1	
22	682-43311-07-8D	BRACKET, SWIVEL 1	1	1	1	1	
23	93700-06M03	NIPPLE, GREASE	3	3	3	3	
24	90501-18M00	SPRING, COMPRESSION	1	1	1	1	
25	92990-08600	WASHER, PLATE	1	1	1	1	
26	676-43373-00	SEAL, DAMPER	1	1	1	1	
27	97075-08025	BOLT	1	1	1	1	



FWD
6B81200C1401

FIG. 15 BRACKET 1

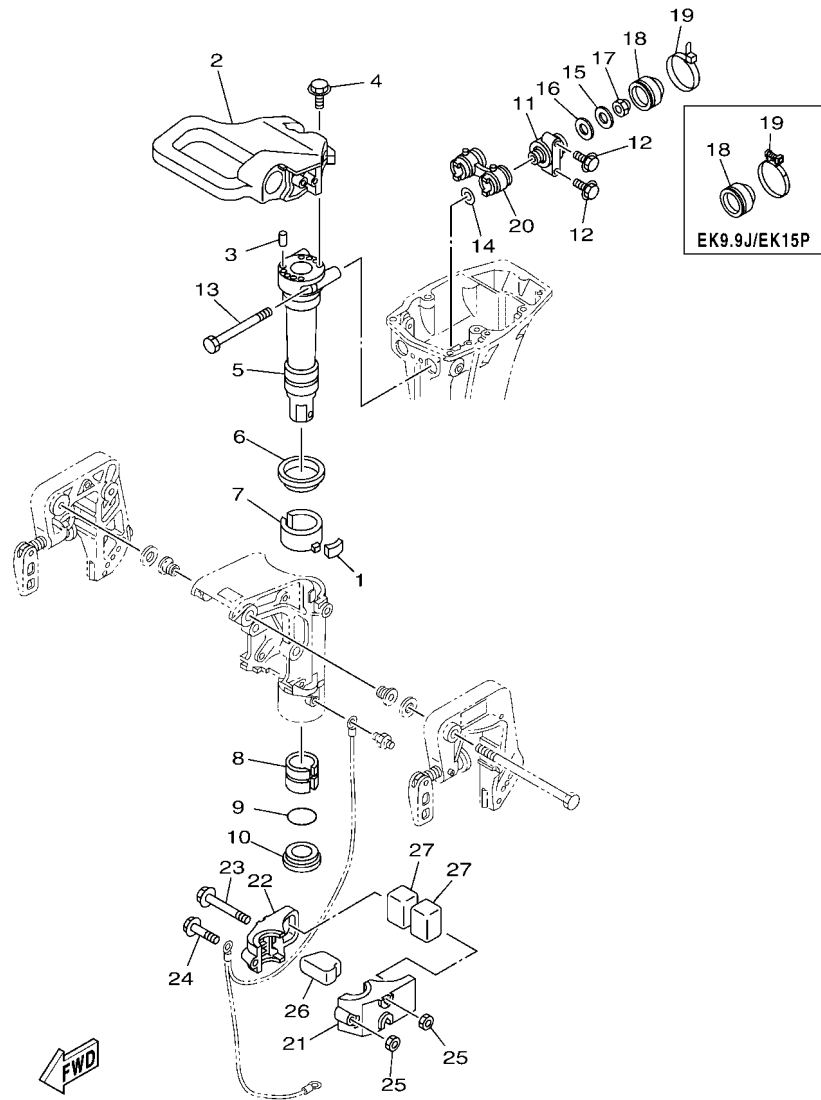
REF. NO.	PART NO.	DESCRIPTION	6B7G	6B9G	6B8G	6C0G	REMARKS
28	6B4-43631-00	LEVER, TILT	1	1	1	1	
29	90508-14018	SPRING, TORSION	1	1	1	1	
30	682-43616-00	ROD, TILT LOCK	1	1	1	1	
31	682-43641-01	LEVER, TILT	1	1	1	1	
32	90249-06M23	PIN	1	1	1	1	
33	99080-05600	CIRCLIP	1	1	1	1	
34	682-43617-00	ROD, TILT LOCK	1	1	1	1	
35	682-43614-01	PLATE, TILT LOCK	1	1	1	1	
36	682-43615-02	PLATE, TILT LOCK	1	1	1	1	
37	682-43611-01	SHAFT, TILT LOCK	1	1	1	1	
38	90387-06M20	COLLAR	1	1	1	1	
39	682-43659-01	SHAFT, REVERSE LOCK	1	1	1	1	
40	99080-05600	CIRCLIP	2	2	2	2	
41	90506-26M01	SPRING, TENSION	2	2	2	2	
42	90109-06M05	BOLT	2	2	2	2	
43	6B4-43181-00	LEVER, TILT STOP 1	1	1	1	1	
44	6B4-43627-00	STOPPER	2	2	2	2	
45	90249-10003	PIN	1	1	1	1	
46	90506-12002	SPRING, TENSION	1	1	1	1	
47	95680-06100	NUT, U	2	2	2	2	
48	92990-06600	WASHER, PLATE	2	2	2	2	
49	90206-10M24	WASHER, WAVE	2	2	2	2	
50	90202-10M56	WASHER, PLATE	1	1	1	1	
51	99080-09600	CIRCLIP	1	1	1	1	
52	682-43318-01	COVER	1	1	1	1	
53	6B4-43681-10	LEVER, SHALLOW WATER DRIVE 1	1	1	1	1	
54	682-43318-01	COVER	1	1	1	1	



6B81200C1401

FIG. 15 BRACKET 1

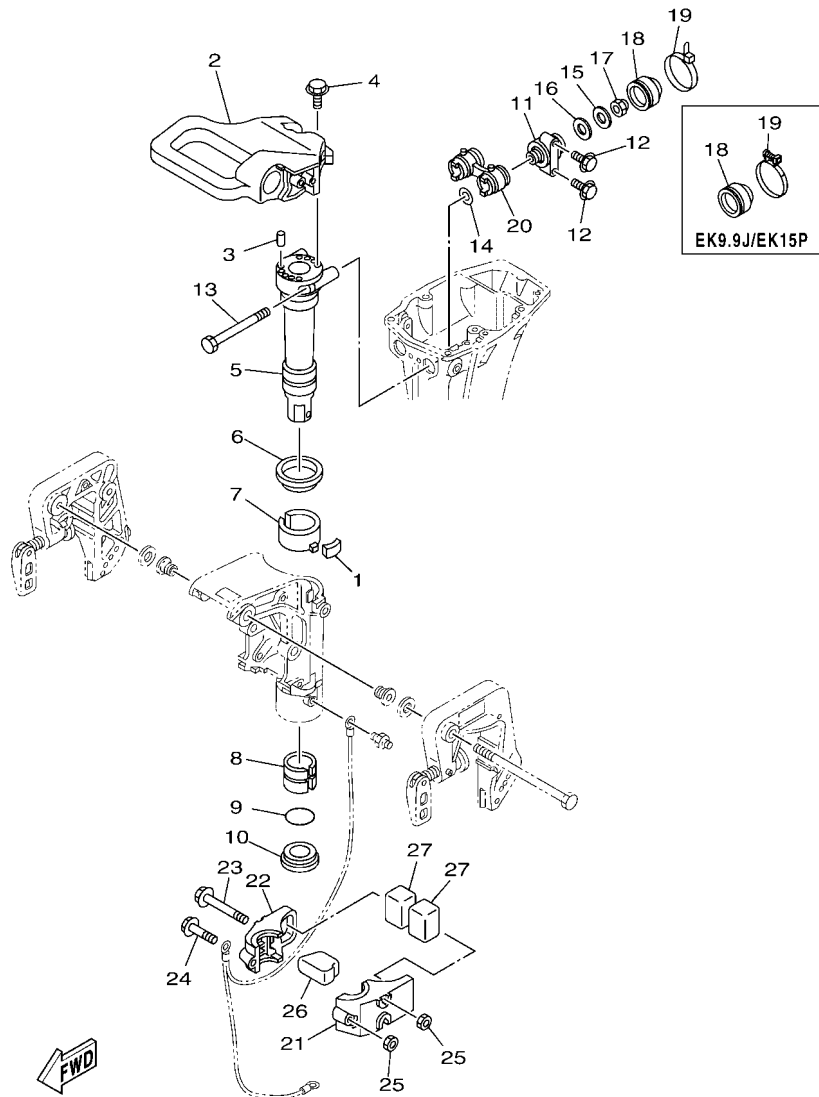
REF. NO.	PART NO.	DESCRIPTION	6B7G	6B9G	6B8G	6C0G	REMARKS
55	682-43643-00	SPRING	1	1	1	1	
56	97095-06008	BOLT	1	1	1	1	
57	92990-06600	WASHER, PLATE	1	1	1	1	



6B8F200-R160

FIG. 16 BRACKET 2

REF. NO.	PART NO.	DESCRIPTION	6B7G	6B9G	6B8G	6C0G	REMARKS
1	648-42528-00	PLATE, FRICTION	1	1	1	1	
2	6B4-42511-00-8D	BRACKET, STEERING	1	1	1	1	
3	93606-12019	PIN, DOWEL	2	2	2	2	
4	97595-06525	BOLT, WITH WASHER	3	3	3	3	
5	682-42521-00	SHAFT, STEERING PIVOT	1	1	1	1	
6	90209-52M01	WASHER	1	1	1	1	
7	682-42537-00	BUSHING, PIVOT SHAFT	1	1	1	1	
8	90386-40M09	BUSH	1	1	1	1	
9	93210-40M10	O-RING	1	1	1	1	
10	90386-40M08	BUSH	1	1	1	1	
11	682-44514-01-CA	MOUNT DAMPER, UPPER SIDE	2	2	2	2	
12	97595-06525	BOLT, WITH WASHER	4	4	4	4	
13	90101-08M30	BOLT	2	2	2	2	
14	90201-08M12	WASHER, PLATE	2	2	2	2	
15	90201-08M13	WASHER, PLATE	2	2	2	2	
16	90202-13M02	WASHER, PLATE	2	2	2	2	
17	90185-08057	NUT, SELF-LOCKING	2	2	2	2	
18	682-44522-01	SEAL	2		2		
	682-44522-10	SEAL		2		2	
19	90465-11M52	CLAMP	2		2		
	6B9-42821-00	BAND, CLAMP		2		2	
20	682-44521-01	SEAL	1	1	1	1	
21	682-44551-02-8D	HOUSING, LOWER MOUNT RUBBER 1	1	1	1	1	
22	682-44552-02-8D	HOUSING, LOWER MOUNT RUBBER 2	1	1	1	1	
23	90119-08M45	BOLT, WITH WASHER	2	2	2	2	
24	97575-08555	BOLT, WITH WASHER	1	1	1	1	
25	95380-08700	NUT	3	3	3	3	



6B8F200-R160

FIG. 16 BRACKET 2

REF. NO.	PART NO.	DESCRIPTION	6B7G	6B9G	6B8G	6C0G	REMARKS
26	682-44557-00	MOUNT DAMPER, LOWER FRONT	1	1	1	1	
27	6B4-44555-30	MOUNT DAMPER, LOWER SIDE	2	2	2	2	L(22.4")

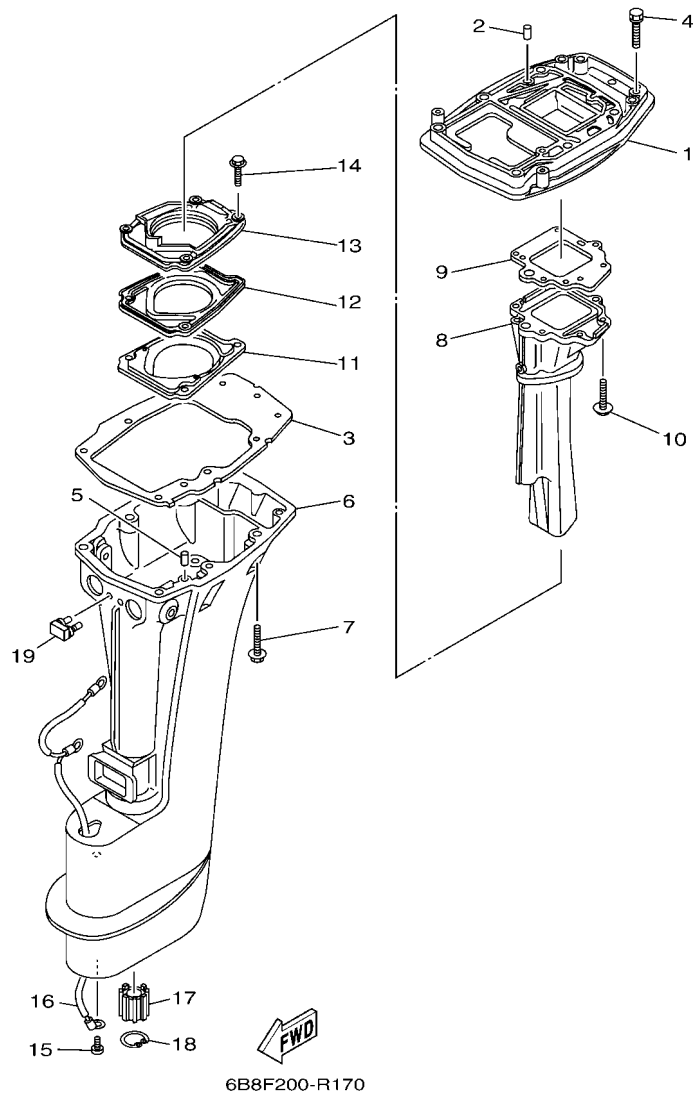
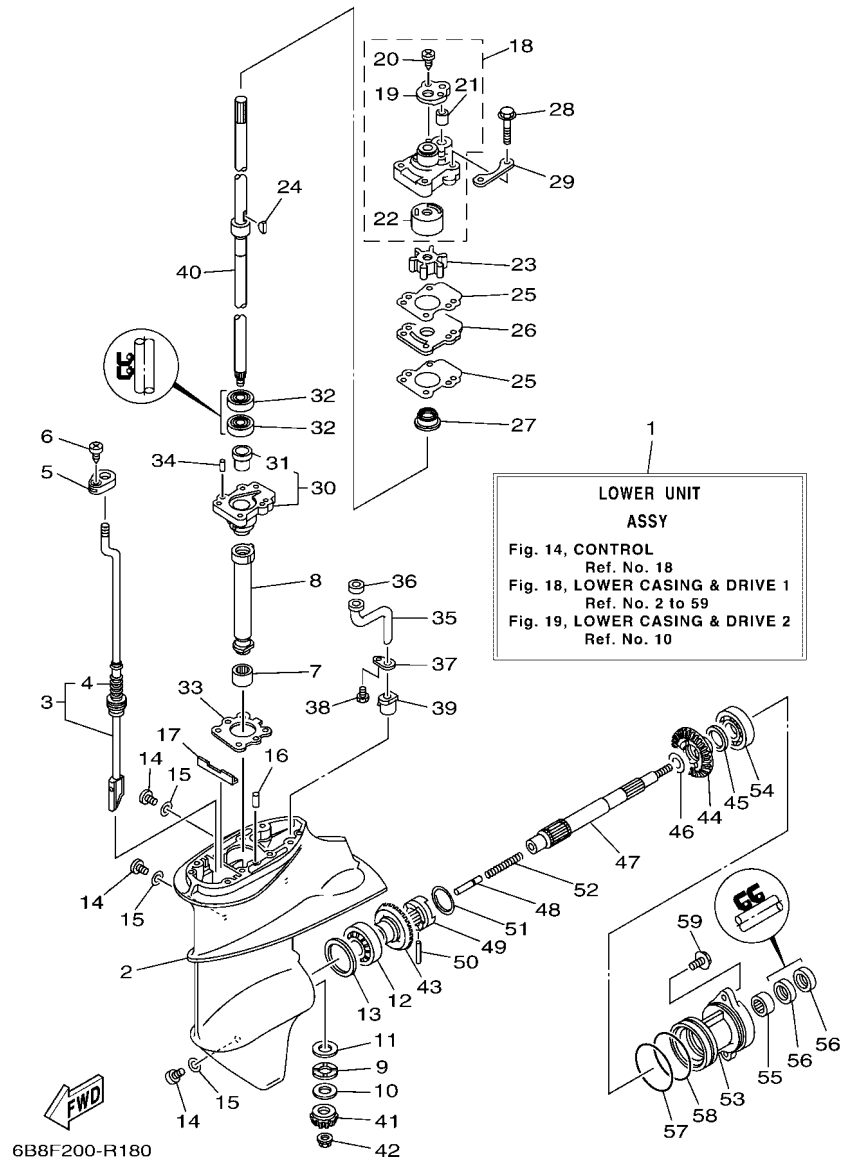


FIG. 17 UPPER CASING

REF. NO.	PART NO.	DESCRIPTION	6B7G	6B9G	6B8G	6C0G	REMARKS
1	6B4-41137-A0-CA	GUIDE, EXHAUST	1	1	1	1	
2	93606-12019	PIN, DOWEL	2	2	2	2	
3	682-45113-A3	GASKET, UPPER CASING	1	1	1	1	
4	90119-06MA4	BOLT, WITH WASHER	2	2	2	2	
5	93606-12019	PIN, DOWEL	2	2	2	2	
6	682-45111-15-8D	CASING, UPPER	1	1	1	1	L(22.4")
7	97575-08550	BOLT, WITH WASHER	6	6	6	6	
8	6B4-41131-00-CA	MANIFOLD, EXT. 1	1		1		
	6C0-41131-00-CA	MANIFOLD, EXT. 1			1	1	
9	682-41133-A0	GASKET, EXHAUST MANIFOLD 1	1	1	1	1	
10	97595-06520	BOLT, WITH WASHER	6	6	6	6	
11	682-45126-01-CA	PLATE, SEAL DAMPER	1	1	1	1	
12	682-45127-00	SEAL	1	1	1	1	
13	6B4-41116-A0-CA	PROTECTOR	1	1	1	1	L(22.4")
14	90105-06M01	BOLT, FLANGE	4	4	4	4	
15	90157-06M06	SCREW, PAN HEAD	1	1	1	1	
16	6E7-82127-00	WIRE, LEAD 2	1	1	1	1	
17	6B4-45318-00	BUSHING, DRIVE SHAFT	1	1	1	1	L(22.4")
18	93420-30042	CIRCLIP	1	1	1	1	L(22.4")
19	682-44532-00	STOPPER, UPPER MOUNT	1	1	1	1	



6B8F200-R180

FIG. 18 LOWER CASING & DRIVE 1

REF. NO.	PART NO.	DESCRIPTION	6B7G	6B9G	6B8G	6C0G	REMARKS
1	6B4-45300-11-8D	LOWER UNIT ASSY	1	1	1	1	L(22.4")
2	6E8-45311-01-8D	CASING, LOWER	1	1	1	1	
3	6B4-44150-10	SHIFT CAM ASSY	1	1	1	1	L(22.4")
4	6B4-44147-00	.BOOT, SHIFT ROD	1	1	1	1	
5	682-44176-00	BRACKET	1	1	1	1	
6	97780-50110	SCREW, TAPPING	1	1	1	1	
7	93315-314V8	BEARING	1	1	1	1	
8	6E7-45536-00	SLEEVE, DRIVE SHAFT	1	1	1	1	
9	90209-14011	WASHER	1	1	1	1	
10	6E8-45587-10	SHIM (T:1.13MM)	1	1	1	1	UR
	6E8-45587-30	SHIM (T:1.20MM)	1	1	1	1	UR
11	90201-15017	WASHER, PLATE	1	1	1	1	
12	93332-00005	BEARING	1	1	1	1	
13	664-45567-01	SHIM (T:0.10MM)	1	1	1	1	UR
	664-45567-10	SHIM (T:0.12MM)	1	1	1	1	UR
	664-45567-20	SHIM (T:0.15MM)	1	1	1	1	UR
	664-45567-30	SHIM (T:0.18MM)	1	1	1	1	UR
	664-45567-40	SHIM (T:0.30MM)	1	1	1	1	UR
	664-45567-50	SHIM (T:0.40MM)	1	1	1	1	UR
	664-45567-60	SHIM (T:0.50MM)	1	1	1	1	UR
14	90340-08002	PLUG, STRAIGHT SCREW	3	3	3	3	
15	90430-08003	GASKET	3	3	3	3	
16	93604-08062	PIN, DOWEL	1	1	1	1	
17	682-45376-01	GUIDE, SEAL DAMPER	1	1	1	1	
18	682-44300-40	HOUSING WATER PUMP ASSY	1	1	1	1	FOR CHROMATE
19	682-44312-00	.COVER, WATER PUMP HOUSING	1	1	1	1	
20	97780-40112	.SCREW, OVAL HEAD TAPPING	2	2	2	2	

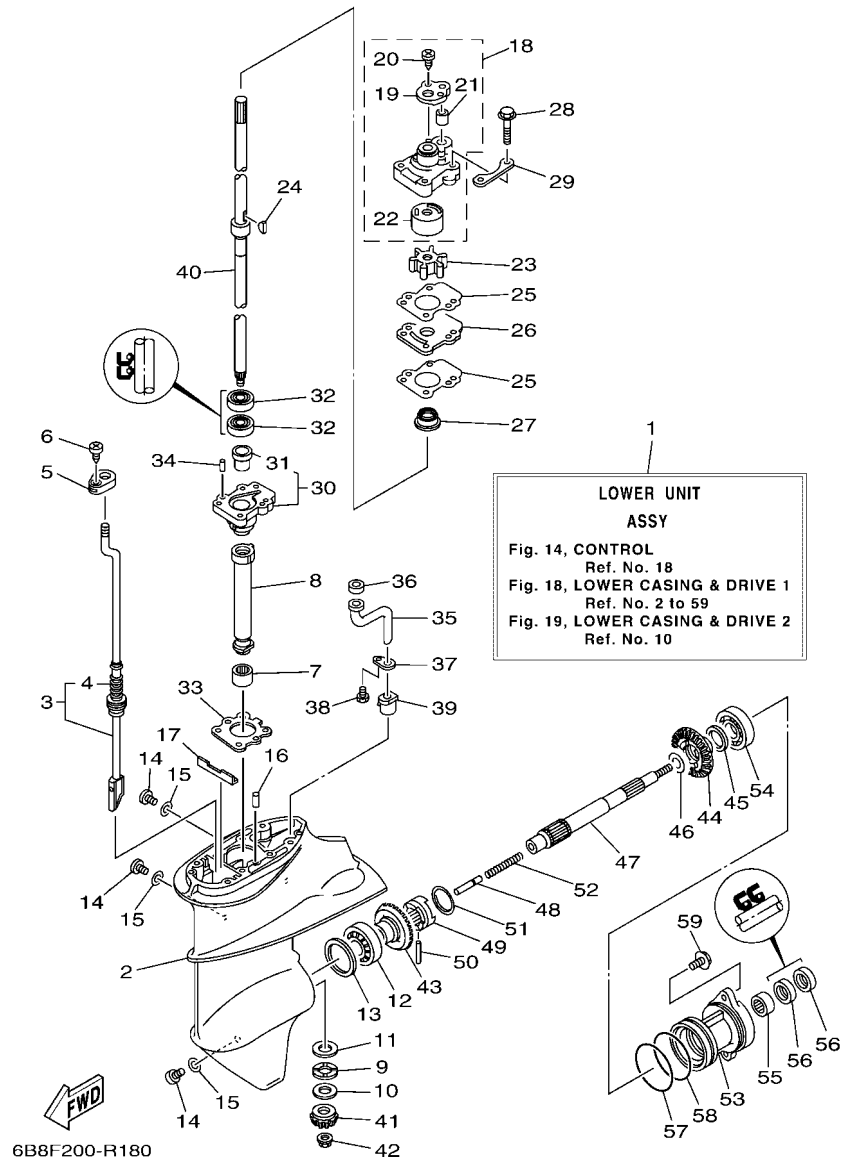


FIG. 18 LOWER CASING & DRIVE 1

REF. NO.	PART NO.	DESCRIPTION	6B7G	6B9G	6B8G	6C0G	REMARKS
21	682-44365-00	.DAMPER, WATER SEAL 1	1	1	1	1	
22	682-44322-41	.INSERT, CARTRIDGE	1	1	1	1	
23	682-44352-03	IMPELLER	1	1	1	1	
24	90280-03005	KEY, WOODRUFF	1	1	1	1	
25	682-44315-A0	GASKET, WATER PUMP	2	2	2	2	
26	682-44323-40	OUTER PLATE, CARTRIDGE	1	1	1	1	FOR CHROMATE
27	682-45344-00	COVER, OIL SEAL	1	1	1	1	
28	97595-06545	BOLT, WITH WASHER	4	4	4	4	
29	682-44328-00	PLATE	2	2	2	2	
30	6E7-45331-00-CA	HOUSING, BEARING	1	1	1	1	
31	626-45316-09	.BUSHING, DRIVE SHAFT	1	1	1	1	
32	93101-20001	OIL SEAL	2	2	2	2	
33	683-45315-A0	PACKING, LOWER CASING	1	1	1	1	
34	93606-12019	PIN, DOWEL	2	2	2	2	
35	683-44362-01	TUBE, WATER 2	1	1	1	1	
36	683-44365-01	DAMPER, WATER SEAL 1	1	1	1	1	
37	683-44373-00	SET PLATE, WATER TUBE	1	1	1	1	
38	97095-06010	BOLT	1	1	1	1	
39	6E7-44366-00	DAMPER, WATER SEAL 2	1	1	1	1	
40	6B4-45501-10	DRIVE SHAFT COMP.	1	1	1	1	L(22.4")
41	63V-45551-00	PINION (13T)	1	1	1	1	
42	90179-08M06	NUT	1	1	1	1	
43	6E7-45560-01	GEAR 1 (27T)	1	1	1	1	
44	6E7-45571-00	GEAR 2 (27T)	1	1	1	1	
45	626-45577-00	SHIM (T:0.10MM)	1	1	1	1	UR
	626-45577-10	SHIM (T:0.20MM)	1	1	1	1	UR
	626-45577-20	SHIM (T:0.30MM)	1	1	1	1	UR

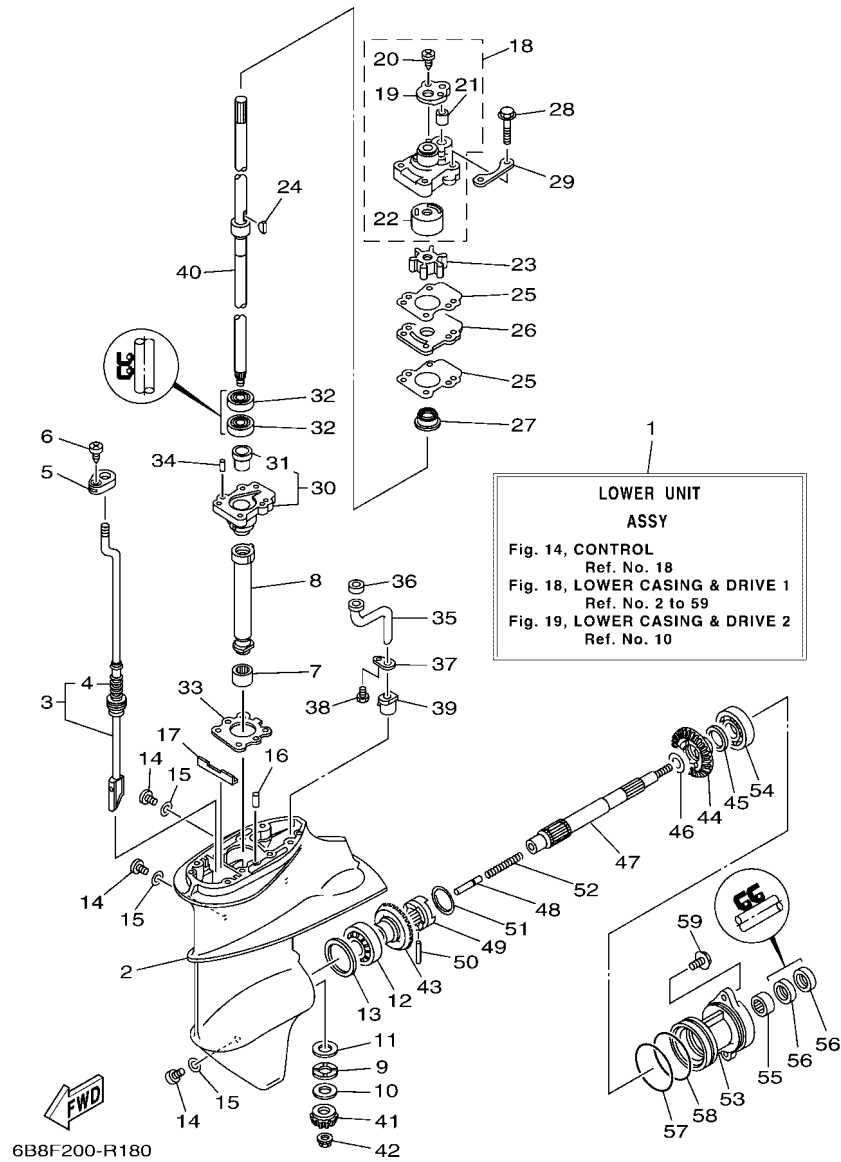
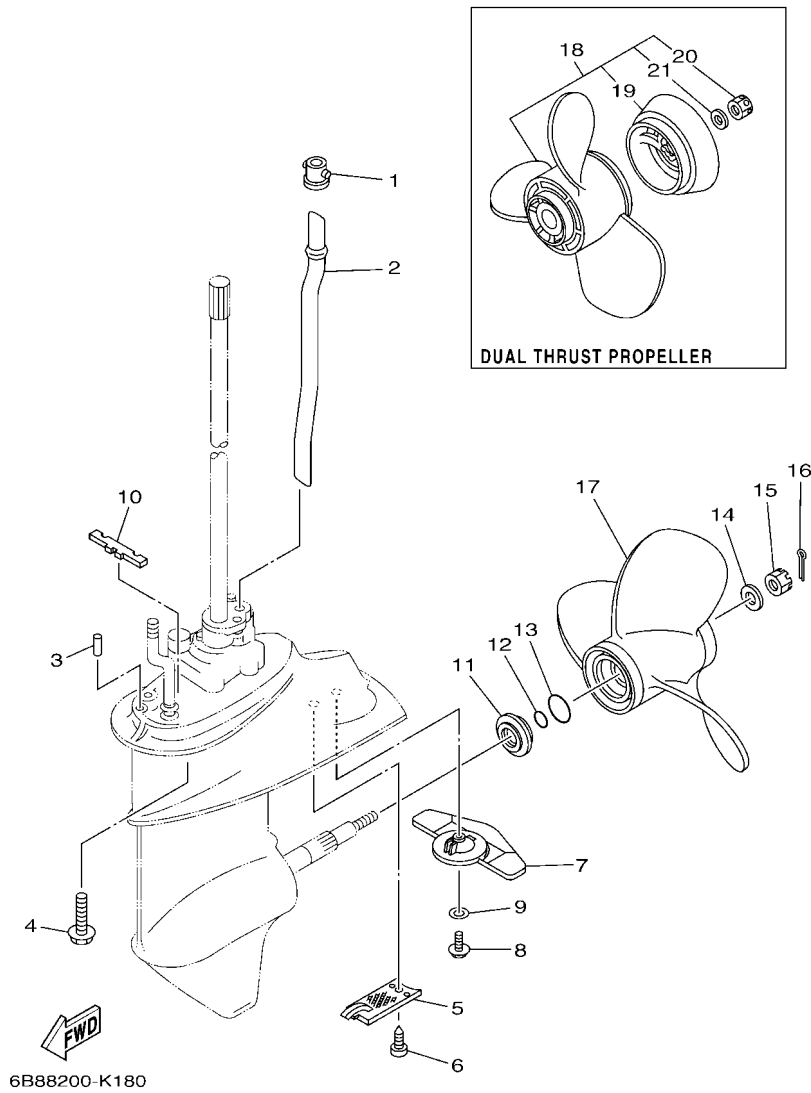


FIG. 18 LOWER CASING & DRIVE 1

REF. NO.	PART NO.	DESCRIPTION	6B7G	6B9G	6B8G	6C0G	REMARKS
45	626-45577-30	SHIM (T:0.40MM)	1	1	1	1	UR
	626-45577-40	SHIM (T:0.50MM)	1	1	1	1	UR
46	90201-17682	WASHER, PLATE	1	1	1	1	
47	683-45611-00	SHAFT, PROPELLER	1	1	1	1	
48	650-45635-00	PLUNGER, SHIFT	1	1	1	1	
49	682-45631-00	CLUTCH, DOG	1	1	1	1	
50	90250-05010	PIN, STRAIGHT	1	1	1	1	
51	648-45633-11	RING, CROSS PIN	1	1	1	1	
52	90501-14M06	SPRING, COMPRESSION	1	1	1	1	
53	683-45361-02-8D	CAP, LOWER CASING	1	1	1	1	
54	93306-00501	BEARING	1	1	1	1	
55	93315-317U2	BEARING	1	1	1	1	
56	93101-17001	OIL SEAL	2	2	2	2	
57	93210-57M09	O-RING	1	1	1	1	
58	93210-56M80	O-RING	1	1	1	1	
59	97595-06520	BOLT, WITH WASHER	2	2	2	2	

FIG. 19 LOWER CASING & DRIVE 2



REF. NO.	PART NO.	DESCRIPTION	6B7G	6B9G	6B8G	6C0G	REMARKS
1	626-44365-01	DAMPER, WATER SEAL 1	1	1	1	1	
2	6B4-44361-10	TUBE, WATER 1	1	1	1	1	L(22.4")
3	93606-12019	PIN, DOWEL	2	2	2	2	
4	97575-08535	BOLT, WITH WASHER	4	4	4	4	
5	6E7-45214-00	COVER, WATER INLET 1	1	1	1	1	
6	97880-05012	SCREW, PAN HEAD	1	1	1	1	
7	6B4-45251-00	ANODE	1	1	1	1	
8	95895-06020	BOLT, FLANGE	1	1	1	1	
9	92990-06300	WASHER, INTERNAL TOOTH	1	1	1	1	
10	682-45375-01	DAMPER, SEAL	1	1	1	1	
11	6B8-45987-00	SPACER 1	1	1	1	1	
12	93210-15001	O-RING	1	1	1	1	
13	93210-26003	O-RING	1	1	1	1	
14	90201-10M01	WASHER, PLATE	1	1	1	1	
15	90171-10M01	NUT, CASTLE	1	1	1	1	
16	91490-30020	PIN, COTTER	1	1	1	1	
17	683-45949-00	PROPELLER (3X9-1/2"X6-1/2"-J)	1	1	1	1	UR
	63V-45947-00	PROPELLER (3X9-1/4"X8"-J)	1	1	1	1	UR
	683-45947-00	PROPELLER (3X9-1/4"X8"-J)	1	1	1	1	UR
	63V-45945-10	PROPELLER (3X9-1/4"X9"-J1)	1	1	1	1	UR
	683-45952-00	PROPELLER (3X9-1/4"X9-3/4"-J)	1	1	1	1	UR
	683-45943-00	PROPELLER (3X9-1/4"X10-1/2"-J)	1	1	1	1	UR
	63V-45952-10	PROPELLER (3X9-1/4"X10"-J1)	1	1	1	1	UR
	683-45941-00	PROPELLER (3X9-1/4"X12"-J)	1	1	1	1	UR
18	683-W4592-02	PROPELLER (3X9-3/4"X6-1/2"-J)	1	1	1	1	UR
	683-W4591-02	PROPELLER (3X9-3/4"X8"-J)	1	1	1	1	UR
19	6E7-45986-00	.RING, DEFLECTOR	1	1	1	1	

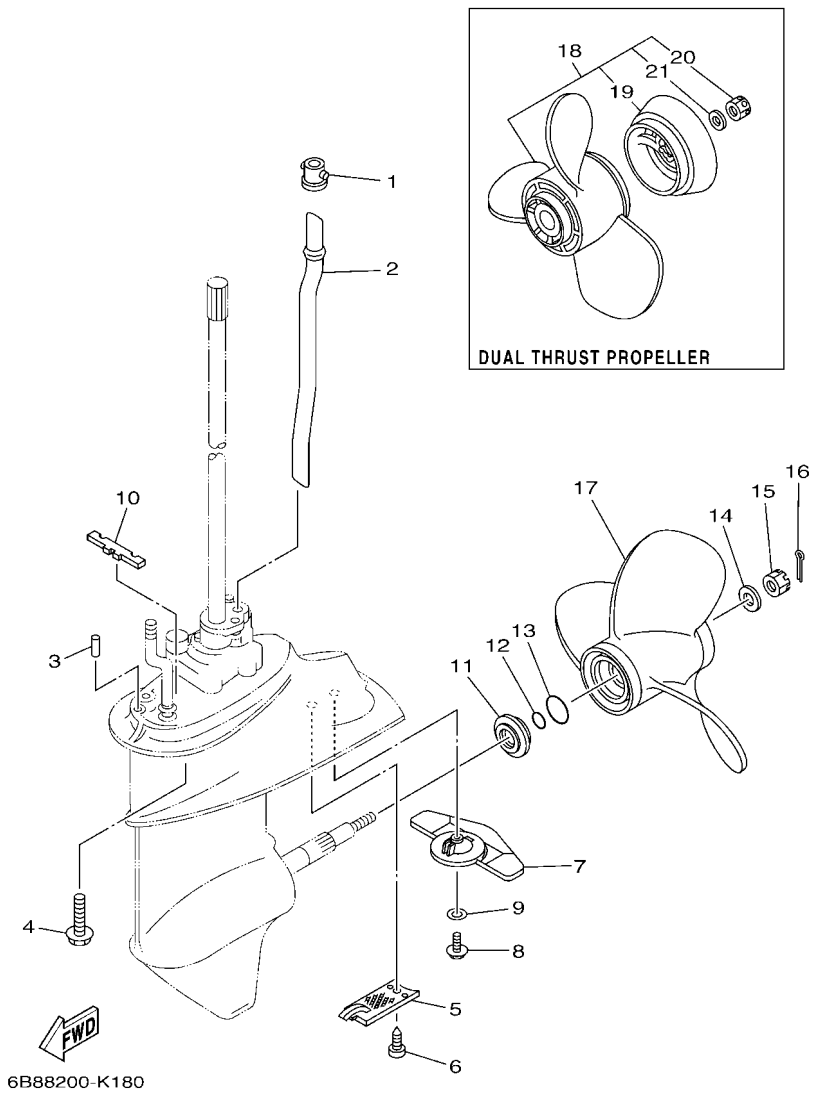


FIG. 19 LOWER CASING & DRIVE 2

REF. NO.	PART NO.	DESCRIPTION	6B7G	6B9G	6B8G	6C0G	REMARKS
20	90171-10M07	.NUT, CASTLE	1	1	1	1	
21	90201-10M02	.WASHER, PLATE	1	1	1	1	

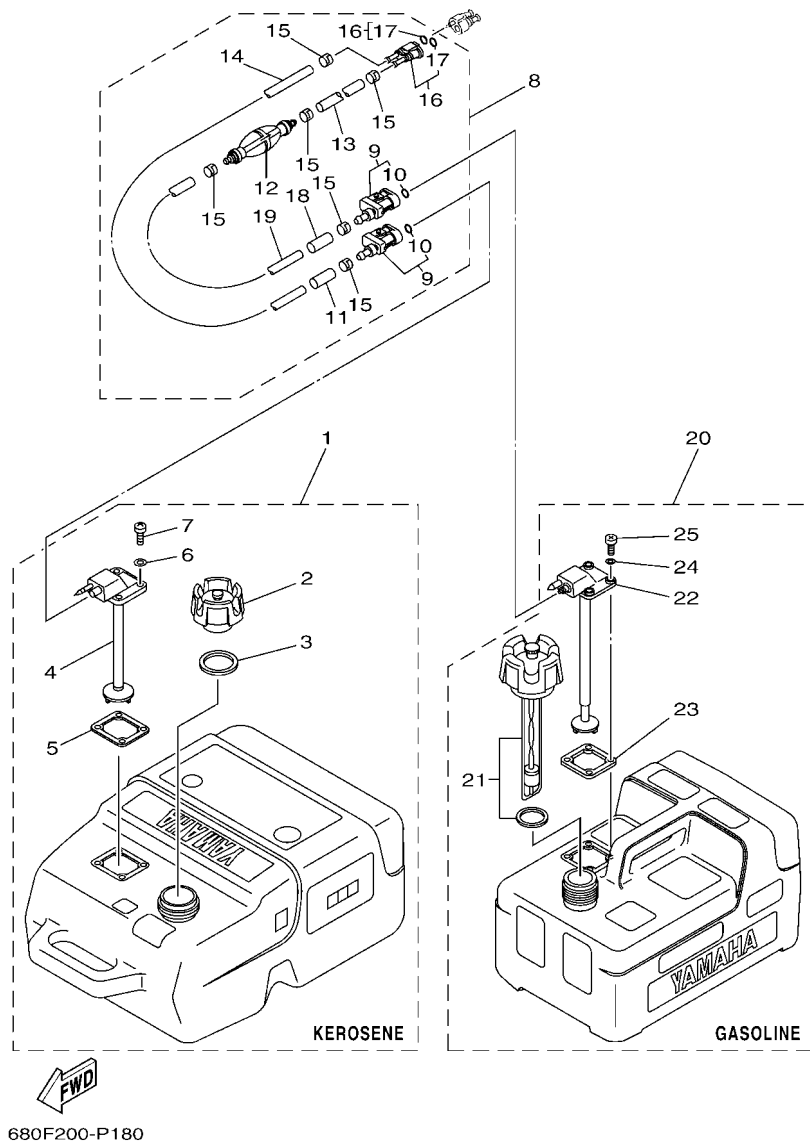
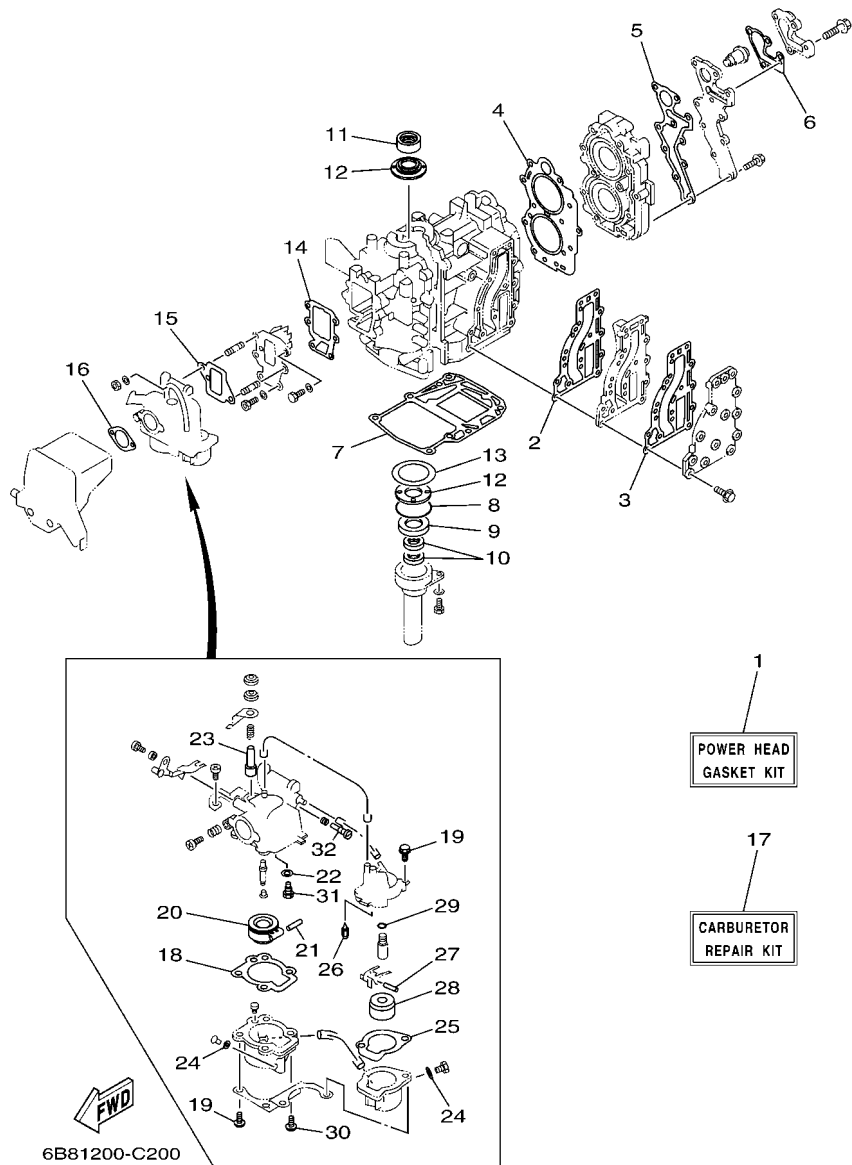


FIG. 20 FUEL TANK

REF. NO.	PART NO.	DESCRIPTION	6B7G	6B9G	6B8G	6C0G	REMARKS
1	6YK-24201-22	FUEL TANK ASSY (25L,KEROSENE)	1		1		AP KEROSENE
2	6YK-24610-10	.CAP ASSY	1		1		WITHOUT INDICATOR
3	6YL-24641-00	.GASKET, CAP 1	1		1		
4	6YK-24260-10	.FUEL METER ASSY	1		1		
5	6YL-24268-01	.GASKET, FUEL METER	1		1		
6	6YL-24329-00	.SEAL	4		4		
7	90157-05M16	.SCREW, PAN HEAD	4		4		
8	6YK-24306-04	FUEL PIPE COMP. 1	1		1		AP
9	6Y1-24305-06	.FUEL PIPE JOINT COMP. 2	2		2		
10	93210-08287	..O-RING	1		1		
11	6Y1-24397-10	.COLLAR (KEROSENE)	1		1		
12	61J-24360-00	.PRIMER PUMP ASSY	1		1		
13	90445-11M05	.HOSE (L850)	1		1		
14	90445-11M81	.HOSE (L3000)	1		1		
15	650-24351-51	.BAND 1	6		6		
16	680-24305-01	.FUEL PIPE JOINT COMP. 2	1		1		
17	93210-08287	..O-RING	2		2		
18	6Y1-24397-00	.COLLAR (GASOLINE)	1		1		
19	90445-11M06	.HOSE (L2050)	1		1		
20	6YL-24201-06	FUEL TANK ASSY (12L)	1		1		AP GASOLINE
21	6YL-24610-02	.CAP ASSY	1		1		
22	6YL-24260-10	.FUEL METER ASSY	1		1		
23	6YL-24268-01	.GASKET, FUEL METER	1		1		
24	6YL-24329-00	.SEAL	4		4		
25	90157-05M16	.SCREW, PAN HEAD	4		4		

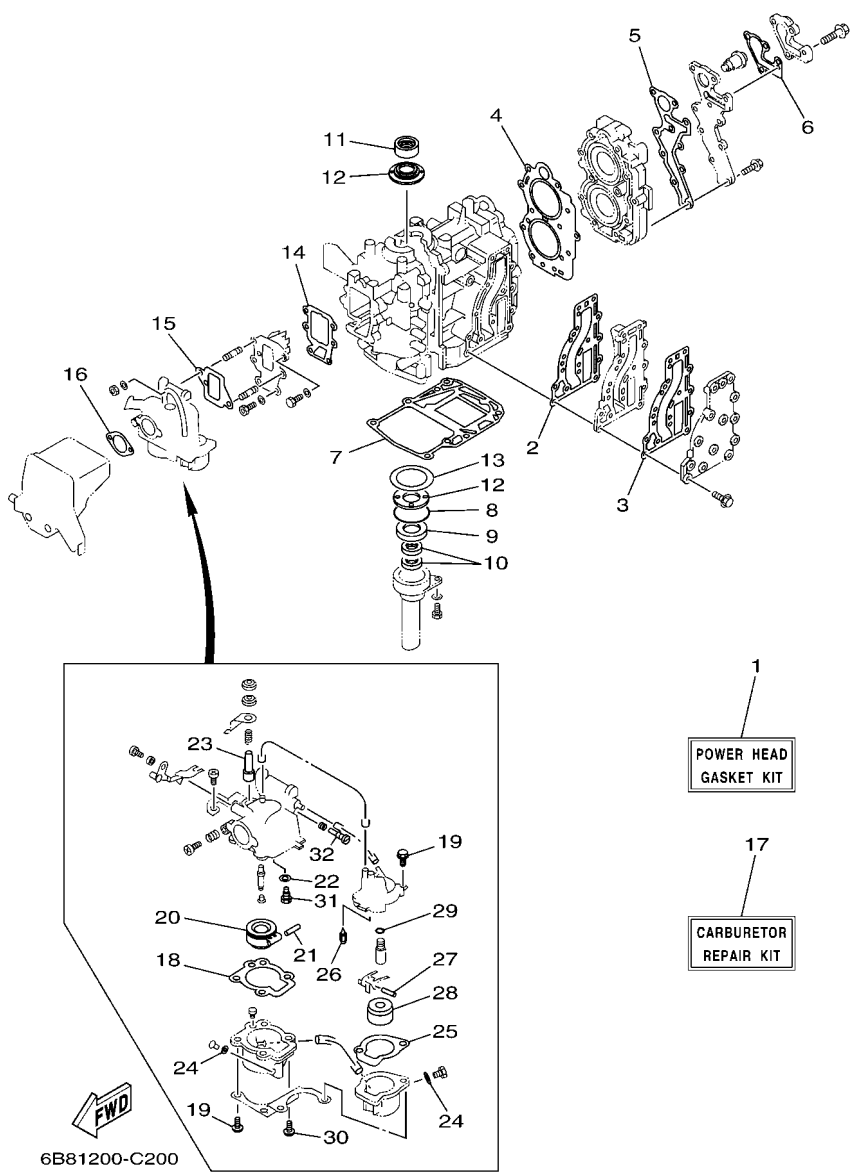
FIG. 21 REPAIR KIT 1

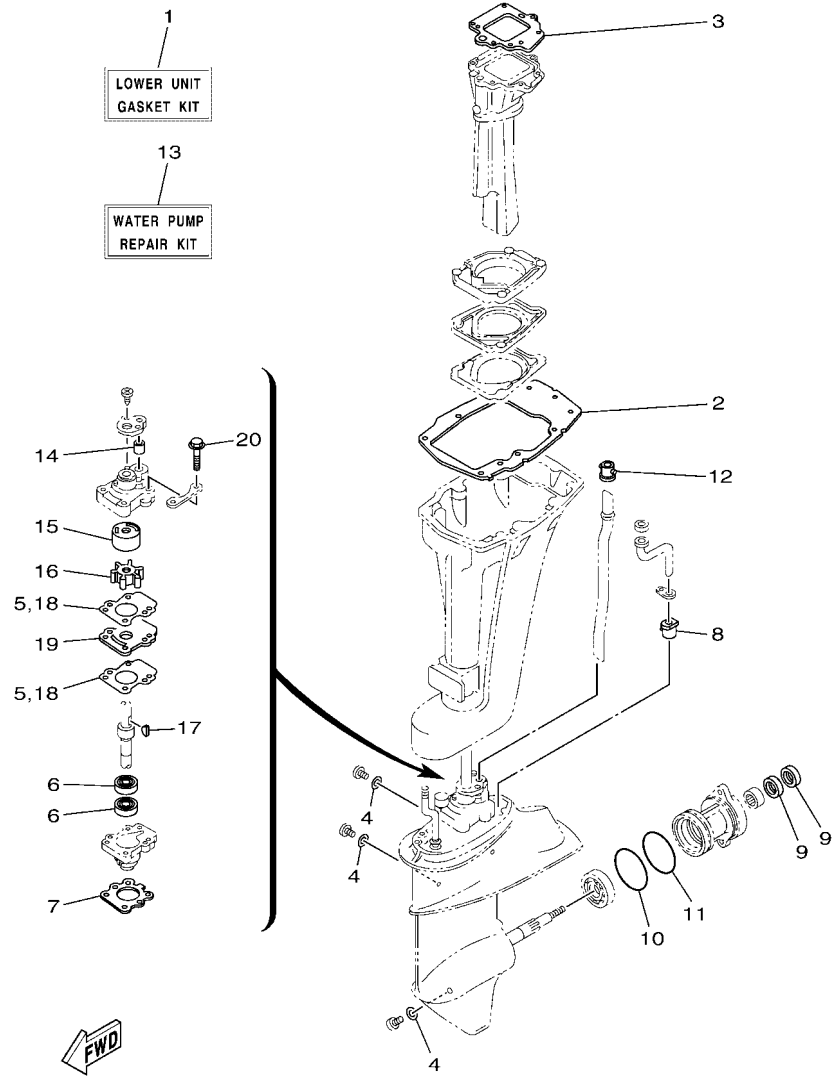


REF. NO.	PART NO.	DESCRIPTION	6B7G	6B9G	6B8G	6C0G	REMARKS
1	6B8-W0001-00	POWER HEAD GASKET KIT	1	1	1	1	
2	6B4-41112-A0	.GASKET, EXHAUST INNER COVER	1	1	1	1	
3	63V-41112-A0	.GASKET, EXHAUST INNER COVER	1	1	1	1	
4	63V-11181-A2	.GASKET, CYLINDER HEAD 1	1	1	1	1	
5	6B4-11193-A1	.GASKET, HEAD COVER 1	1	1	1	1	
6	682-12414-A1	.GASKET, COVER	1	1	1	1	
7	6B4-11351-A1	.GASKET, CYLINDER	1	1	1	1	
8	93210-46MH8	.O-RING	1	1	1	1	
9	93102-25010	.OIL SEAL	1	1	1	1	
10	93101-13M27	.OIL SEAL	2	2	2	2	
11	93110-23M00	.OIL SEAL	1	1	1	1	
12	63V-11445-00	.SPACER	2	2	2	2	
13	90201-46M29	.WASHER, PLATE	1	1	1	1	
14	682-13621-A1	.GASKET, VALVE SEAT	1	1	1	1	
15	677-14198-A1	.GASKET	1	1	1	1	
16	6B8-14483-00	.GASKET	1	1	1	1	
17	6B8-W0093-00	CARBURETOR REPAIR KIT	1	1	1	1	
18	650-14384-00	.GASKET, FLOAT CHAMBER	1	1	1	1	
19	97980-04115	.SCREW, WITH WASHER	4	4	4	4	
20	6B8-14385-00	.FLOAT	1	1	1	1	
21	626-14386-10	.PIN, FLOAT	1	1	1	1	
22	626-14398-00	.GASKET	1	1	1	1	
23	626-14371-00	.PLUNGER, STARTER	1	1	1	1	
24	6L2-14398-00	.GASKET	2	2	2	2	
25	652-14384-00	.GASKET, FLOAT CHAMBER	1	1	1	1	
26	6F5-14392-00	.VALVE, NEEDLE	1	1	1	1	
27	6M7-14386-00	.PIN, FLOAT	1	1	1	1	

FIG. 21 REPAIR KIT 1

REF. NO.	PART NO.	DESCRIPTION	6B7G	6B9G	6B8G	6C0G	REMARKS
28	652-14385-00	.FLOAT	1	1	1	1	
29	652-14147-00	.O-RING	1	1	1	1	
30	97980-04112	.SCREW, WITH WASHER	2	2	2	2	
31	677-14390-12	.NEEDLE VALVE ASSY	1	1	1	1	
32	647-14323-00	.SCREW, AIR ADJUSTING	1	1	1	1	





6B3G200-S220

FIG. 22 REPAIR KIT 2

REF. NO.	PART NO.	DESCRIPTION	6B7G	6B9G	6B8G	6C0G	REMARKS
1	6B4-W0001-20	LOWER UNIT GASKET KIT	1	1	1	1	
2	682-45113-A3	.GASKET, UPPER CASING	1	1	1	1	
3	682-41133-A0	.GASKET, EXHAUST MANIFOLD 1	1	1	1	1	
4	90430-08003	.GASKET	3	3	3	3	
5	682-44315-A0	.GASKET, WATER PUMP	2	2	2	2	
6	93101-20001	.OIL SEAL	2	2	2	2	
7	683-45315-A0	.PACKING, LOWER CASING	1	1	1	1	
8	6E7-44366-00	.DAMPER, WATER SEAL 2	1	1	1	1	
9	93101-17001	.OIL SEAL	2	2	2	2	
10	93210-57M09	.O-RING	1	1	1	1	
11	93210-56M80	.O-RING	1	1	1	1	
12	626-44365-01	.DAMPER, WATER SEAL 1	1	1	1	1	
13	6B4-W0078-0A	WATER PUMP REPAIR KIT	1	1	1	1	
14	682-44365-00	.DAMPER, WATER SEAL 1	1	1	1	1	
15	682-44322-41	.INSERT, CARTRIDGE	1	1	1	1	
16	682-44352-03	.IMPELLER	1	1	1	1	
17	90280-03005	.KEY, WOODRUFF	1	1	1	1	
18	682-44315-A0	.GASKET, WATER PUMP	2	2	2	2	
19	682-44323-40	.OUTER PLATE, CARTRIDGE	1	1	1	1	
20	97595-06545	.BOLT, WITH WASHER	4	4	4	4	

NUMERICAL INDEX

PART NO.	REF. NO.	PART NO.	REF. NO.	PART NO.	REF. NO.	PART NO.	REF. NO.	PART NO.	REF. NO.	PART NO.	REF. NO.
6B8-11111-00-1S	3 - 19	6C0-14301-01	6 - 1	626-14398-00	6 - 14	680-24305-01	20 - 16	6B4-41112-A0	3 - 13	6B4-42716-00	12 - 11
63V-11181-A2	3 - 20	650-14321-01	6 - 2		21 - 22	6Y1-24305-06	20 - 9		21 - 2	6B4-42727-00	12 - 3
	21 - 4	647-14323-00	6 - 6	6L2-14398-00	6 - 26	6Y3-24306-04	8 - 1	63V-41113-00-1S	3 - 15	6EE-42794-40	12 - 19
6B4-11191-00-1S	3 - 22		21 - 32		21 - 24	6YK-24306-04	20 - 8	6B4-41116-A0-CA	17 - 13	6B4-42815-00-8D	12 - 4
6B4-11193-A1	3 - 23	6A0-14325-00	7 - 27	6B8-14440-00	5 - 8	6B8-24311-00	7 - 40	6B4-41131-00-CA	17 - 8	6B4-42816-00	12 - 5
	21 - 5	650-14327-01	6 - 23	6B8-14483-00	5 - 10	6J8-24311-00	9 - 27	6C0-41131-00-CA	17 - 8	6B9-42821-00	16 - 19
682-11325-00	1 - 1	626-14333-00	6 - 3		21 - 16	6B8-24312-00	7 - 41	682-41133-A0	17 - 9	682-43111-05-8D	15 - 1
	3 - 8	626-14335-00	6 - 16	624-14485-00	3 - 3	61A-24314-00	7 - 38		22 - 3	682-43112-05-8D	15 - 2
6B4-11351-A1	3 - 30	6M7-14341-00	6 - 4	6H1-14485-00	3 - 5	688-24314-00	7 - 39	6B4-41137-A0-CA	17 - 1	6B4-43113-00	15 - 12
	21 - 7	648-14342-23	6 - 20	650-14485-03	3 - 4	6A4-24329-00	7 - 12	63V-41211-00	14 - 7	648-43114-01	15 - 8
676-11372-00	3 - 16	648-14343-46	6 - 5	63V-14497-02	14 - 1	6YL-24329-00	20 - 6	6M7-41252-00	5 - 14	6E7-43116-00	15 - 7
6B4-11400-00	4 - 6	648-14343-51	6 - 5	6B8-15100-00	3 - 2		20 - 24	6J8-41262-00	14 - 8	663-43118-01-8D	15 - 5
63V-11412-00	4 - 7	648-14344-25	6 - 21	6B4-15396-00-CA	4 - 1	650-24351-51	8 - 5		14 - 27	66T-43144-00	12 - 13
63V-11422-00	4 - 8	6C0-14344-40	6 - 21	6B4-15663-00	9 - 29		20 - 15	6B8-41271-01	5 - 11	689-43160-00	15 - 18
63V-11432-00	4 - 9	63V-14346-00	6 - 36	63V-15705-10	9 - 9	61J-24360-00	8 - 3	6B4-41273-00	5 - 12	689-43165-00	15 - 19
63V-11442-00	4 - 10	65G-14348-00	6 - 41	6B4-15710-10	9 - 1		20 - 12	6B4-41274-00	5 - 13	6B4-43181-00	15 - 43
63V-11445-00	4 - 27		6 - 41	6B4-15711-10	9 - 2	6Y1-24397-00	20 - 18	6B4-41283-00	14 - 5	682-43311-07-8D	15 - 22
	21 - 12	6A4-14348-00	6 - 34	63V-15713-00	9 - 7	6Y1-24397-10	20 - 11	6B4-41638-00	14 - 9	682-43318-01	15 - 52
63V-11515-02	4 - 13	6M7-14348-00	6 - 35	63V-15714-00	9 - 5	6A4-24410-06	7 - 13	6B4-41662-00	14 - 20		15 - 54
682-11610-01	4 - 21	65G-14348-11	6 - 42	63V-15716-10	9 - 8	648-24411-00	7 - 23	6B4-42111-00-8D	13 - 1	676-43373-00	15 - 26
682-11610-11	4 - 21	650-14349-00	6 - 24	63V-15726-00	9 - 19	663-24411-00	7 - 29	6B4-42119-00	13 - 14	682-43611-01	15 - 37
682-11610-21	4 - 21	6B8-14349-00	6 - 44	63V-15734-00	9 - 17	6A0-24412-02	7 - 34	6B4-42125-00	13 - 10	682-43614-01	15 - 35
6E7-11631-00-97	4 - 20	652-14353-34	6 - 37	63V-15741-00	9 - 6	6A0-24413-00	7 - 31	6B4-42126-00	13 - 11	682-43615-02	15 - 36
634-11633-00	4 - 22	626-14371-00	6 - 15	63V-15744-00	9 - 12	652-24415-01	7 - 17	6B4-42131-00-4D	13 - 6	682-43616-00	15 - 30
6E7-11635-00	4 - 20		21 - 23	6B4-15746-00	14 - 22	6A0-24421-01	7 - 26	6F5-42137-20	13 - 15	682-43617-00	15 - 34
6E7-11636-00	4 - 20	626-14373-00	6 - 17	6L2-15747-00	14 - 26	648-24423-00	7 - 25	6B4-42138-00	13 - 21	6B4-43627-00	15 - 44
6K4-11651-00	4 - 15	626-14374-00	6 - 18	63V-15748-00	9 - 16	648-24424-00	7 - 24	6G1-42177-00	13 - 16	6B4-43631-00	15 - 28
682-11681-00	4 - 14	6M7-14376-00	6 - 22	6G1-15755-00	9 - 20	650-24431-A0	7 - 36	6B4-42511-00-8D	16 - 2	682-43641-01	15 - 31
6F5-12411-03	1 - 2	626-14378-00	6 - 19	6B4-15758-A0	9 - 22	652-24432-00	7 - 21	682-42521-00	16 - 5	682-43643-00	15 - 55
	3 - 26	680-14381-00	6 - 8	6B4-15761-00	2 - 8	648-24434-01	7 - 22	648-42528-00	16 - 1	682-43659-01	15 - 39
6E5-12412-00	3 - 27	680-14381-10	6 - 8	6B4-15762-00	9 - 23	648-24435-02	7 - 30	682-42537-00	16 - 7	6B4-43681-10	15 - 53
682-12413-00-1S	3 - 25	650-14384-00	6 - 9	63V-15764-00	9 - 3	62C-24461-00	7 - 15	6B7-42610-20	2 - 1	6B4-44111-01-8D	14 - 10
682-12414-A1	1 - 3		21 - 18	68T-15764-00	9 - 4	652-24461-00	7 - 14	6B8-42610-20	2 - 1	6B4-44116-00	14 - 15
	3 - 28	652-14384-00	6 - 29	63V-15767-01	9 - 10	6A4-24471-00	7 - 20	6B4-42615-00	2 - 3	6B4-44121-00	14 - 11
	21 - 6		21 - 25	6B4-15770-00	14 - 28	652-24471-10	7 - 16	6B4-4261A-00	2 - 2	6B4-44125-00	14 - 13
6B8-13610-00	5 - 1	652-14385-00	6 - 33	6G1-15779-00	9 - 21	61N-24521-00	7 - 5	6B4-42646-00	2 - 9	6B4-44143-00	14 - 17
682-13621-A1	5 - 3		21 - 28	68T-15784-00	9 - 11	61N-24560-00	7 - 3	6B4-42647-00	2 - 6	61N-44146-00	14 - 19
	21 - 14	6B8-14385-00	6 - 11	6A0-15789-00	9 - 28	61N-24563-00	1 - 5	6B4-42651-00	2 - 4	6B4-44147-00	18 - 4
652-14147-00	6 - 38		21 - 20	68T-15793-00	9 - 13		7 - 4	677-42675-10	2 - 10	6B4-44150-10	18 - 3
	21 - 29	6M7-14386-00	6 - 32	63V-15794-00	9 - 15	6B8-24566-01	7 - 10	677-42676-10	2 - 11	682-44176-00	18 - 5
680-14181-00	6 - 28		21 - 27	6YL-24201-06	20 - 20	6YL-24610-02	20 - 21	63V-42678-40	2 - 12	682-44300-40	18 - 18
65G-14182-00	6 - 27	626-14386-10	6 - 12	6YK-24201-22	20 - 1	6YK-24610-10	20 - 2		2 - 13	682-44312-00	18 - 19
65G-14182-20	6 - 27		21 - 21	6YK-24260-10	20 - 4	6YL-24641-00	20 - 3	63W-42678-40	2 - 12	682-44315-A0	18 - 25
677-14198-A1	5 - 7	652-14387-40	6 - 31	6YL-24260-10	20 - 22	6B4-26301-00	13 - 22		2 - 13		22 - 5
	21 - 15	677-14390-12	6 - 13	6YL-24268-01	20 - 5	61N-26326-00	12 - 2	6E0-42681-40	2 - 14		22 - 18
646-14212-01	6 - 7		21 - 31		20 - 23	63V-41111-00-1S	3 - 12		2 - 15	682-44322-41	18 - 22
65G-14261-00	6 - 43	6F5-14392-00	6 - 30	680-24304-10	7 - 1	63V-41112-A0	3 - 14	680-42684-00	2 - 16		22 - 15
6B8-14301-00	6 - 1		21 - 26	680-24305-01	8 - 6		21 - 3	6B4-42711-00-8D	12 - 1	682-44323-40	18 - 26

NUMERICAL INDEX

PART NO.	REF. NO.	PART NO.	REF. NO.	PART NO.	REF. NO.	PART NO.	REF. NO.	PART NO.	REF. NO.	PART NO.	REF. NO.
682-44323-40	22 - 19	664-45567-10	18 - 13	6B4-W0001-20	22 - 1	90201-12018	15 - 10	90445-11M05	20 - 13	93101-20001	22 - 6
682-44328-00	18 - 29	664-45567-20	18 - 13	6B8-W0004-00	5 - 2	90201-12472	10 - 9	90445-11M06	8 - 2	93102-25010	4 - 3
682-44352-03	18 - 23	664-45567-30	18 - 13	6B4-W0078-0A	1 - 9	90201-14377	4 - 24		20 - 19		21 - 9
	22 - 16	664-45567-40	18 - 13		22 - 13	90201-15017	18 - 11	90445-11M81	8 - 8	93110-23M00	4 - 26
6B4-44361-10	19 - 2	664-45567-50	18 - 13	6B8-W0090-00-1S	3 - 1	90201-17682	18 - 46		20 - 14		21 - 11
683-44362-01	18 - 35	664-45567-60	18 - 13	6B8-W0093-00	21 - 17	90201-28013	13 - 4	90462-06008	3 - 31	93210-08287	8 - 7
682-44365-00	18 - 21	6E7-45571-00	18 - 44	656-W2810-02	7 - 44	90201-46M29	4 - 28	90464-08M02	11 - 11		20 - 10
	22 - 14	626-45577-00	18 - 45	683-W4591-02	19 - 18		21 - 13	90464-09M21	7 - 43		20 - 17
626-44365-01	19 - 1	626-45577-10	18 - 45	683-W4592-02	19 - 18	90202-05203	5 - 20	90465-06M90	10 - 5	93210-15001	19 - 12
	22 - 12	626-45577-20	18 - 45	90101-06128	5 - 5	90202-10M56	15 - 50		11 - 10	93210-26003	19 - 13
683-44365-01	18 - 36	626-45577-30	18 - 45	90101-06M29	15 - 15	90202-13M02	16 - 16	90465-08M99	11 - 14	93210-32738	1 - 6
6E7-44366-00	18 - 39	626-45577-40	18 - 45	90101-08M30	16 - 13	90206-10M24	15 - 49	90465-11M10	11 - 7		7 - 6
	22 - 8	6E8-45587-10	18 - 10	90101-12013	15 - 9	90206-12052	12 - 8	90465-11M52	16 - 19	93210-40M10	16 - 9
683-44373-00	18 - 37	6E8-45587-30	18 - 10	90105-06M01	17 - 14	90206-28001	13 - 5	90467-06016	3 - 7	93210-46MH8	4 - 2
6BL-44391-00	12 - 12	683-45611-00	18 - 47	90105-07M05	3 - 21	90209-14011	18 - 9	90467-08004	7 - 8		21 - 8
682-44514-01-CA	16 - 11	682-45631-00	18 - 49	90109-06M05	15 - 42	90209-20M23	4 - 17	90467-09M03	7 - 9	93210-56M80	18 - 58
682-44521-01	16 - 20	648-45633-11	18 - 51	90109-06M80	12 - 14	90209-52M01	16 - 6	90468-10004	5 - 19		22 - 11
682-44522-01	16 - 18	650-45635-00	18 - 48		14 - 16	90243-04007	15 - 6	90480-25161	11 - 8	93210-57M09	18 - 57
682-44522-10	16 - 18	683-45941-00	19 - 17	90109-06M81	14 - 21	90249-06M23	15 - 32	90501-14M06	18 - 52		22 - 10
682-44532-00	17 - 19	683-45943-00	19 - 17	90116-06130	5 - 21	90249-10003	15 - 45	90501-18M00	15 - 24	93306-00501	18 - 54
682-44551-02-8D	16 - 21	63V-45945-10	19 - 17	90119-06023	3 - 24	90250-05010	18 - 50	90501-23215	13 - 19	93306-205A1	4 - 11
682-44552-02-8D	16 - 22	63V-45947-00	19 - 17		10 - 4	90266-04005	2 - 7	90502-10M07	15 - 21	93310-620W5	4 - 16
6B4-44555-30	16 - 27	683-45947-00	19 - 17		11 - 9	90266-04M00	2 - 5	90506-12002	15 - 46	93315-314V8	18 - 7
682-44557-00	16 - 26	683-45949-00	19 - 17	90119-06M40	10 - 12	90280-03005	18 - 24	90506-18009	12 - 15	93315-317U2	18 - 55
682-45111-15-8D	17 - 6	683-45952-00	19 - 17	90119-06M82	9 - 26		22 - 17	90506-26M01	15 - 41	93332-00005	18 - 12
682-45113-A3	17 - 3	63V-45952-10	19 - 17	90119-06MA3	3 - 29	90280-05013	10 - 7	90508-08M39	14 - 24	93390-00029	4 - 12
	22 - 2	6E7-45986-00	19 - 19	90119-06MA4	3 - 18	90340-08002	18 - 14	90508-14018	15 - 29	93420-30042	17 - 18
682-45126-01-CA	17 - 11	6B8-45987-00	19 - 11		17 - 4	90381-12001	15 - 11	90508-20M38	14 - 6	93430-04301	6 - 39
682-45127-00	17 - 12	6EE-81994-40	9 - 31	90119-08M07	3 - 11	90381-20001	13 - 3	91490-16010	13 - 13	93440-52009	4 - 19
6E7-45214-00	19 - 5	6EE-81995-40	9 - 30	90119-08M45	16 - 23	90381-35001	13 - 2	91490-16018	9 - 18	93450-15023	4 - 25
6B4-45251-00	1 - 8	703-82119-00	10 - 13	90152-05011	13 - 17	90386-08032	13 - 20	91490-30020	19 - 16	93602-14104	4 - 23
	19 - 7	6E7-82127-00	17 - 16	90157-05M16	20 - 7	90386-12M45	12 - 6	91609-20008	4 - 18	93604-08062	18 - 16
6B4-45300-11-8D	18 - 1	6E5-82148-00	15 - 3		20 - 25	90386-12MA2	12 - 7	91690-30008	15 - 20	93606-12019	3 - 10
6E8-45311-01-8D	18 - 2	6B4-82316-00	11 - 12	90157-06M06	17 - 15	90386-40M08	16 - 10	92903-06100	5 - 6		16 - 3
683-45315-A0	18 - 33	62E-8231X-00	11 - 6	90159-05007	5 - 9	90386-40M09	16 - 8	92990-04500	7 - 19		17 - 2
	22 - 7	62E-82371-11	11 - 5	90164-05M00	5 - 16	90387-06M06	14 - 23	92990-05100	7 - 33		17 - 5
626-45316-09	18 - 31	682-82556-00	12 - 17	90170-12066	10 - 8	90387-06M13	15 - 14	92990-06300	19 - 9		18 - 34
6B4-45318-00	17 - 17	689-82575-04	12 - 16	90171-10M01	19 - 15	90387-06M20	15 - 38	92990-06600	15 - 48		19 - 3
6E7-45331-00-CA	18 - 30	689-8257Y-00	12 - 18	90171-10M07	19 - 20	90387-06M24	10 - 11		15 - 57	93700-06M03	15 - 23
682-45344-00	18 - 27	6N7-83557-00	11 - 16	90173-06009	9 - 25	90387-06M50	14 - 2	92990-08600	15 - 25	94702-00217	1 - 4
683-45361-02-8D	18 - 53	6B4-85520-00	10 - 3	90179-08M06	18 - 42	90430-08003	1 - 7	92995-06600	5 - 18		3 - 32
682-45375-01	19 - 10	6B4-85530-00	11 - 3	90185-08057	16 - 17		18 - 15		15 - 16	95380-03600	7 - 28
682-45376-01	18 - 17	63V-85533-00	10 - 10	90201-05M03	5 - 15		22 - 4	92995-08600	13 - 9	95380-06600	13 - 12
6B4-45501-10	18 - 40	6B8-85540-01	11 - 1	90201-08M12	16 - 14	90445-07M08	3 - 6	93101-13M27	4 - 4	95380-06700	5 - 17
6E7-45536-00	18 - 8	6B4-85550-10	10 - 1	90201-08M13	16 - 15	90445-09104	3 - 17		21 - 10		14 - 18
63V-45551-00	18 - 41	6B4-85570-00	11 - 4	90201-10M01	19 - 14		7 - 37	93101-17001	18 - 56		15 - 17
6E7-45560-01	18 - 43	6B4-85580-00	10 - 2	90201-10M02	13 - 18	90445-100E9	7 - 42		22 - 9	95380-08600	7 - 7
664-45567-01	18 - 13	6B8-W0001-00	21 - 1		19 - 21	90445-11M05	8 - 4	93101-20001	18 - 32	95380-08700	16 - 25

NUMERICAL INDEX

PART NO.	REF. NO.	PART NO.	REF. NO.	PART NO.	REF. NO.	PART NO.	REF. NO.	PART NO.	REF. NO.	PART NO.	REF. NO.
95627-06325	5 - 22	99080-05600	15 - 40								
95680-06100	15 - 47	99080-09600	15 - 51								
95780-12300	15 - 13										
95895-06020	19 - 8										
95895-06065	14 - 3										
97013-06012	7 - 11										
97075-08025	15 - 27										
97095-06008	15 - 56										
97095-06010	18 - 38										
97095-06014	12 - 9										
97095-08030	13 - 8										
97575-08535	19 - 4										
97575-08550	17 - 7										
97575-08555	16 - 24										
97595-06510	11 - 15										
97595-06512	14 - 4										
97595-06514	11 - 13										
97595-06516	4 - 5										
	5 - 4										
	12 - 10										
97595-06520	7 - 2										
	10 - 6										
	11 - 2										
	14 - 25										
	17 - 10										
	18 - 59										
97595-06525	16 - 4										
	16 - 12										
97595-06535	9 - 24										
97595-06545	18 - 28										
	22 - 20										
97595-06550	7 - 35										
97595-08555	13 - 7										
97780-40112	18 - 20										
97780-40520	14 - 12										
	14 - 14										
97780-50110	18 - 6										
97880-05012	19 - 6										
97885-06008	15 - 4										
97980-04005	6 - 25										
97980-04112	6 - 40										
	21 - 30										
97980-04115	6 - 10										
	21 - 19										
98503-05028	7 - 32										
98780-04010	7 - 18										
98780-05015	3 - 9										
99080-05600	15 - 33										