

YAMAHA

parts list '80/'81

FOR 1 : 100



outboard
motor

6B/8B

serial no.
6B S:004526 and up
L:304956 and up
8B S:020251 and up
L:328451 and up
UL:701441 and up
SUL:800826 and up

INDEX

INDEX	A2
INTERCHANGEABILITY MARK · REPAIR KIT	A3
FLYWHEEL MAGNETO	A4
COWLING	A5, A6
STARTER	A7, A8
CRANKCASE, CYLINDER & PISTON	A9, A10
INTAKE	A11, A12
BRACKET	A13, A14
CONTROL	B1, B2
UPPER CASING	B3, B4
LOWER & DRIVE 1	B5, B6
LOWER & DRIVE 2	B7
FUEL SECTION	B8
REMOTE CONTROL	B9, B10
REMOTE CONTROL ASS'Y	B11
OPTIONAL PARTS 1	B12
OPTIONAL PARTS 2 (6B MODEL)	B13, B14
ACCESSORY PARTS	C1

677-M2819-E3

INTERCHANGEABILITY MARK

Whether or not there is interchangeability between the parts having the previous and new parts numbers is indicated by interchangeability marks.

Ref.No.	Parts No.	Description	Q'ty
▶ 1*	677-15710-01-F6	STARTER ASS'Y	1
▶ 2	677-15710-00-F6	STARTER ASS'Y	1
▶ 3*	682-15711-71-94	CASE, starter	1
▶ 4	677-15711-00-94	CASE, starter	1

Interchangeability Mark

* Indicates new parts number

▶ This mark is indicated serial number of marginal notes.

Mark A : The both new and previous parts are able to use for either previous or new engines.

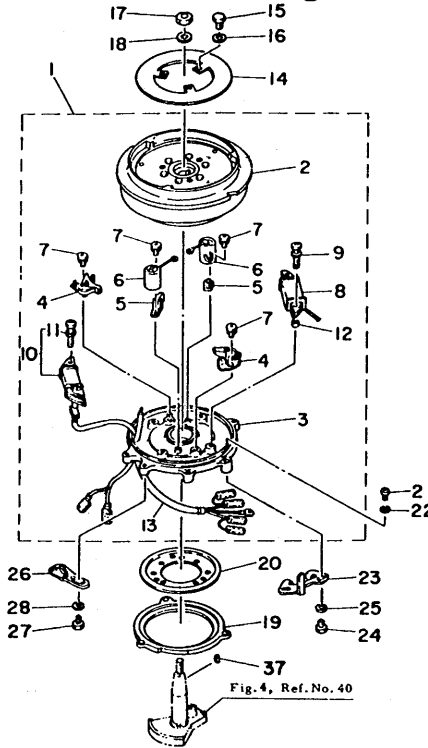
Mark B : Not interchangeable, refer to serial number of marginal notes for ordering or using of parts.

Mark C : Interchangeable, but the previous parts are not able to use for new engines.

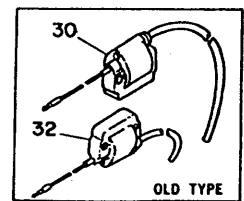
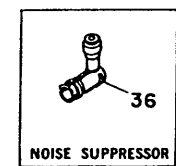
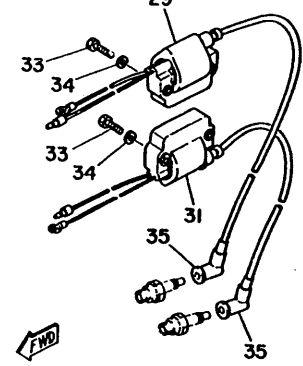
REPAIR KIT

POWER HEAD GASKET KIT-8B MODEL	678-W0001-00
POWER HEAD GASKET KIT-8B MODEL	677-W0001-00
LOWER UNIT GASKET KIT	677-W0001-20
REED SET-8B MODEL	678-W0004-00
REED SET-8B MODEL	677-W0004-00
EXTENSION KIT (Long)	677-W0072-00
EXTENSION KIT (Ultra Long)	677-W0073-00
EXTENSION KIT (Super Ultra Long)	677-W0074-00
WATER PUMP REPAIR KIT	655-W0078-10
CHROME PUMP KIT	655-W0078-1A
SAFETY STARTER KIT	677-W0079-01
CRANK CYLINDER ASS'Y-8B MODEL	678-W0090-02
CRANK CYLINDER ASS'Y-8B MODEL	677-W0090-01
CARBURETOR REPAIR SET-8B MODEL	678-W0093-00
CARBURETOR REPAIR SET-8B MODEL	677-W0093-00
LOWER UNIT ASS'Y (Short)	677-45300-00-F6
LOWER UNIT ASS'Y (Long)	677-45300-10-F6

Fig. 1 FLYWHEEL MAGNETO '80/'81



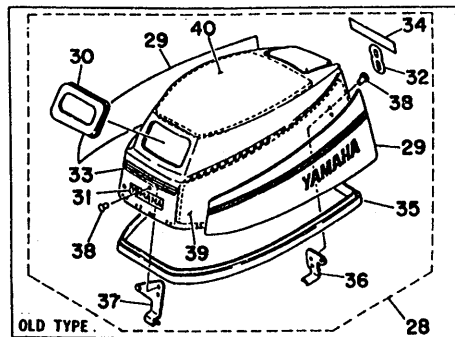
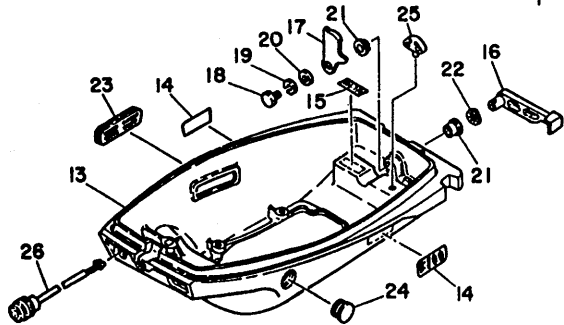
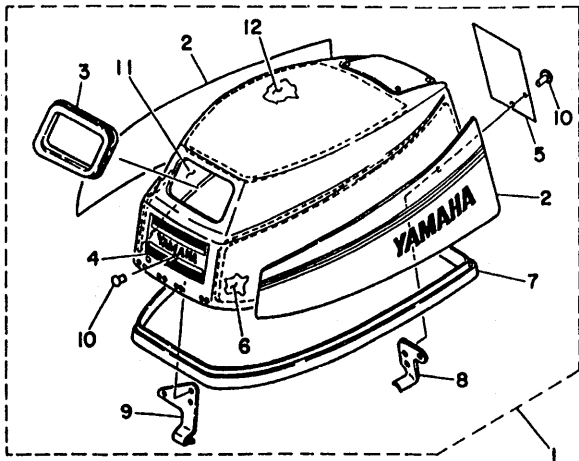
Ref.No.	Parts No.	Description	Q'ty
1	677-81300-F1	FLYWHEEL MAGNETO ASS'Y (80W)	1
2	677-81350-F1	ROTOR ASS'Y	1
3	677-81309-11	BASE, magneto	1
4	650-81321-10	CONTACT BREAKER ASS'Y	2
5	207-81331-10	LUBRICATOR	2
6	647-81325-11	CONDENSER	2
7	164-81246-21	SCREW	4
8	677-81311-F0	COIL, Ignition	1
9	647-81324-10	SCREW (M5-30mm)	2
10	677-81303-F0	LIGHTING COIL ASS'Y (80W)	1
11	647-81324-10	SCREW (M5-30mm)	2
12	647-81318-10	SPACER, tube	2
13	677-81315-11	LEAD WIRE ASS'Y	1
14	677-81362-00	COVER, hole	1
15	97313-06012	BOLT	3
16	92903-06100	WASHER	3
17	90170-10113	NUT	1
18	99201-10126	WASHER (10.26-206-2.6mm)	1
19	677-41611-00-94	RETAINER, magneto base 1	1
20	677-41612-00	RETAINER, magneto base 2	1
21	97803-05010	SCREW, panhead	3
22	92903-05100	WASHER	3
23	677-41615-01	STOPPER, magneto base 1	1
24	97313-06016	BOLT	2
25	92903-06600	WASHER	2
26	677-41213-00-94	CAM, accel.	1
27	97313-05014	BOLT	1
28	92903-05600	WASHER	2
29	677-82310-12	IGNITION COIL ASS'Y	1
▶ 30	677-82310-11	IGNITION COIL ASS'Y 1	1
▶ 31	677-82320-12	IGNITION COIL ASS'Y	1
▶ 32	677-82320-11	IGNITION COIL ASS'Y 2	1
33	97313-06030	BOLT	4
34	92903-06600	WASHER	4
35	663-82370-01	PLUG CAP ASS'Y	2
36	677-82370-00	PLUG CAP ASS'Y (Noise Suppressor)	2
37	90280-04006	KEY, woodruff	1



▶ New parts number

Fig. 2 COWLING -'80/'81

COWLING -'80/'81



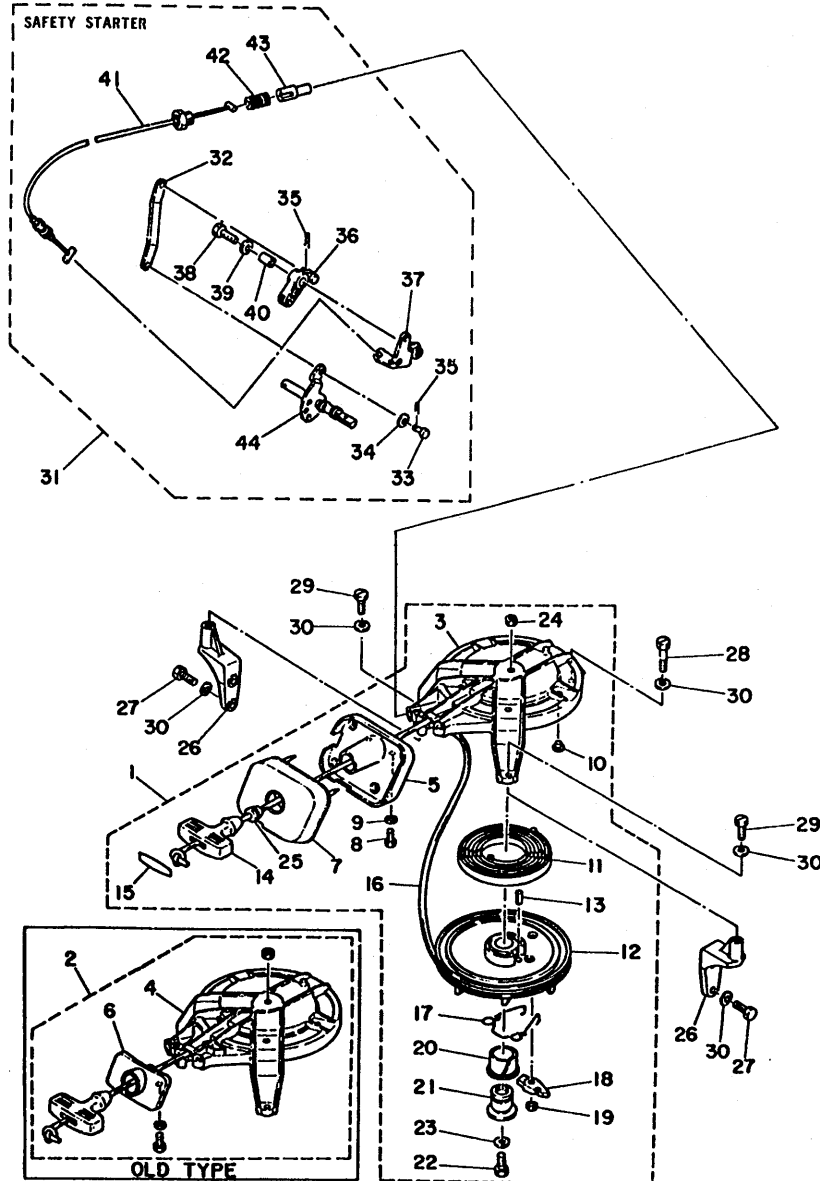
Ref.No.	Parts No.	Description	Q'ty	Ref.No.	Parts No.	Description	Q'ty
▶ 1	677-42610-82-F6	TOP COWLING ASS'Y	1	21	90386-12069	BUSHING	2
2	677-W0070-00	GRAPHIC SIDE SET	15	22	90206-12052	WASHER, wave (12.56-196-0.5mm)	1
▶ 3	677-15761-01	SEAL, rubber	1	23	677-42725-00	GROMMET 2	1
▶ 4	677-42677-80	GRAPHIC, front	1	24	677-42724-00	GROMMET 1	1
▶ 5	677-42678-80	GRAPHIC, rear	1	25	606-42591-00	HOLDER, share pin	1
▶ 6	677-42666-80	DAMPER 5	1	26	677-82550-00	STOP SWITCH ASS'Y	1
7	677-42615-00	SEAL	1	27	670-28100-60	TOOL ASS'Y	1
8	677-42647-00	HOLDER, clamp band	1			OLD TYPE	
9	677-42651-01	HOOK 1	1	◀ 28	677-42610-81-F6	TOP COWLING ASS'Y	1
10	90266-40M00	RIVET	4	29	677-W0070-00	GRAPHIC SIDE SET	15
▶ 11	677-42662-80	DAMPER 1	1	◀ 30	677-15761-00	SEAL, rubber	1
12	677-42663-80	DAMPER 2	1				
13	677-42711-71-F6	COWLING, bottom 1	1	◀ 31	677-42677-00	GRAPHIC, front	1
14	624-42783-80	GRAPHIC, side	2	◀ 32	677-42678-00	GRAPHIC, rear	1
15	661-42791-80	MARK 1	1	◀ 33	677-42681-00	MARK, cowling 1	1
16	677-42615-00-F6	LEVER, clamp 1	1	◀ 34	677-42682-00	MARK, cowling 2	1
17	689-42816-00	LEVER, clamp 2	1	35	677-42615-00	SEAL	1
18	97313-06D12	BOLT	1	36	677-42647-00	HOLDER, clamp band	1
19	92903-06100	WASHER	1	37	677-42651-01	HOOK 1	1
20	90201-06068	WASHER (6.56-204-2.0mm)	1	38	90266-04004	RIVET	4
				◀ 39	677-42662-80	DAMPER 1	2
				40	677-42663-80	DAMPER 2	1

(NO. 006410 and before)
 L 306410 and before
 NO. 006410 and before
 L 306410 and before
 NO. 006410 and before
 L 306410 and before
 NO. 006410 and before
 L 306410 and before

* New parts number

Fig. 3 STARTER '80/'81

STARTER '80/'81

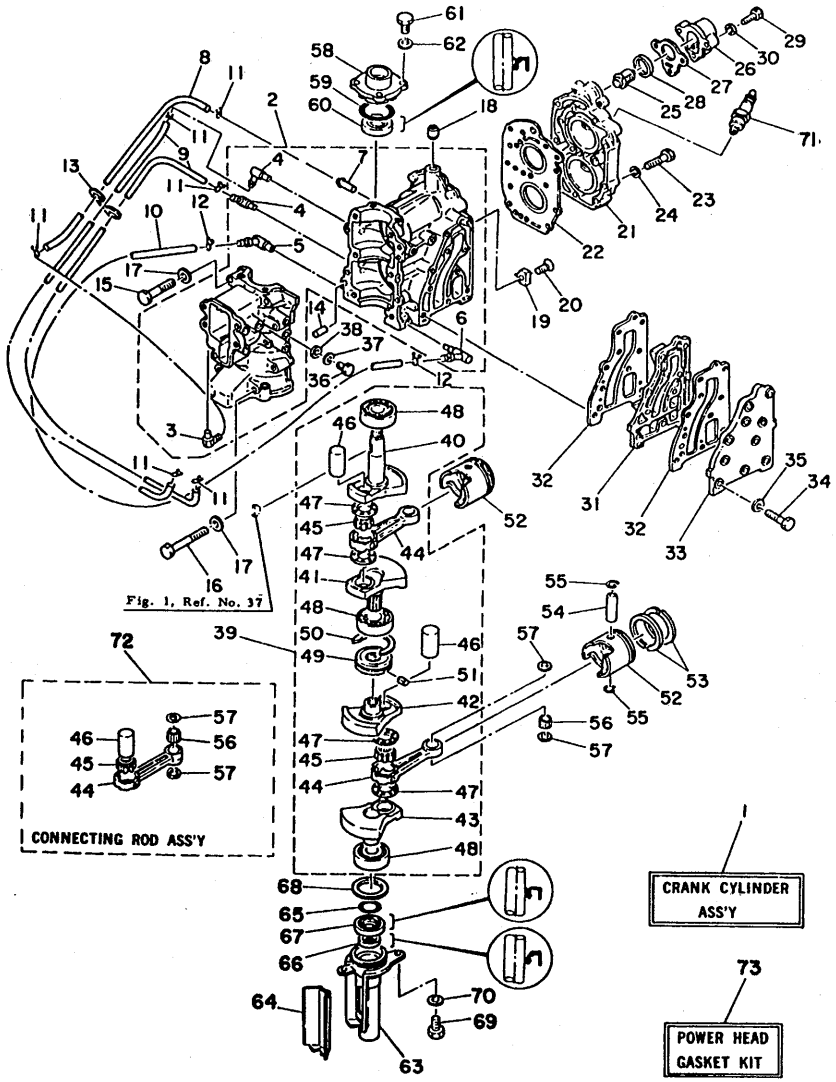


Ref.No.	Parts No.	Description	Q'ty	Ref.No.	Parts No.	Description	Q'ty
▶ 1	677-15710-01-F6	STARTER ASS'Y	1	26	677-15771-00-94	STAY 1	2
▶ 2	677-15710-00-F6	STARTER ASS'Y	1	27	97313-06018	BOLT	4
▶ 3	682-15711-71-94	CASE, starter	1	28	97313-06035	BOLT	1
▶ 4	677-15711-00-94	CASE, starter	1	29	97313-06020	BOLT	2
▶ 5	677-15758-01-94	GUIDE, wire	1	30	92903-06100	WASHER	7
▶ 6	677-15758-00-F6	GUIDE, wire	1	SAFETY STARTER			
▶ 7	677-15762-00	SEAL, rubber	1				
8	97313-06016	BOLT	2				
9	92903-06100	WASHER	2				
10	648-15773-00	STAY 3	1				
11	90510-08002	SPRING, spiral	1				
12	677-15714-00-94	DRUM, sheave	1				
13	91690-40020	PIN, spring	1				
14	619-15755-01	HANDLE, starter	1				
15	689-15779-00	COVER	1				
16	+	WIRE (1.650mm)	1	▶ 31	677-W0079-01	SAFETY STARTER KIT	1
17	677-15705-01	SPRING, pawl drive	1	▶ *	677-W0079-00	SAFETY STARTER KIT	1
18	677-15741-01	PAWL, drive	1	32	677-15747-00	LINK	1
19	93430-06M02	CIRCLIP	1	33	647-41652-00	SET PIN, magneto control lever	1
20	90386-25M05	BUSHING	1	34	90202-05088	WASHER (5.6-10.4-1.0mm)	1
21	677-15717-00	SHAFT	1	35	90468-10005	CLIP	2
22	97313-06020	BOLT	1	36	677-15746-00	ARM	1
23	90201-06060	WASHER (6.6-18.4-1.6mm)	1	37	677-15772-00	STAY 2	1
24	95303-06600	NUT	1	38	97313-06020	BOLT	1
▶ 25	6A0-15789-00	DAMPER	1	39	90201-06052	WASHER (6.5.6-1.2mm)	1
				40	90387-06504	COLLAR (6.6-10.6-12.5mm)	1
				▶ 41	677-15770-01	WIRE COMP., starter stop	1
				▶ *	677-15770-00	WIRE COMP., starter stop	1
				42	90501-10227	SPRING, compression	1
				43	656-15748-00	PLUNGER, starter stop	1
				44	677-44119-00	SHAFT, change	1

* 908428 and before
 L 346428 and before
 M 5 858428 and before
 L 342008 and before
 M 701828 and before
 S4 901898 and before
 M 5 908431 and up
 L 346431 and up
 M 5 858430 and up
 L 342001 and up
 M 701830 and up
 S4 901900 and up

* New parts number
 * Not shown
 + Cut from 50m roll, Parts No. 90890-44373, cutting length 1.65m.

Fig. 4 CRANKCASE, CYLINDER & PISTON '80/'81



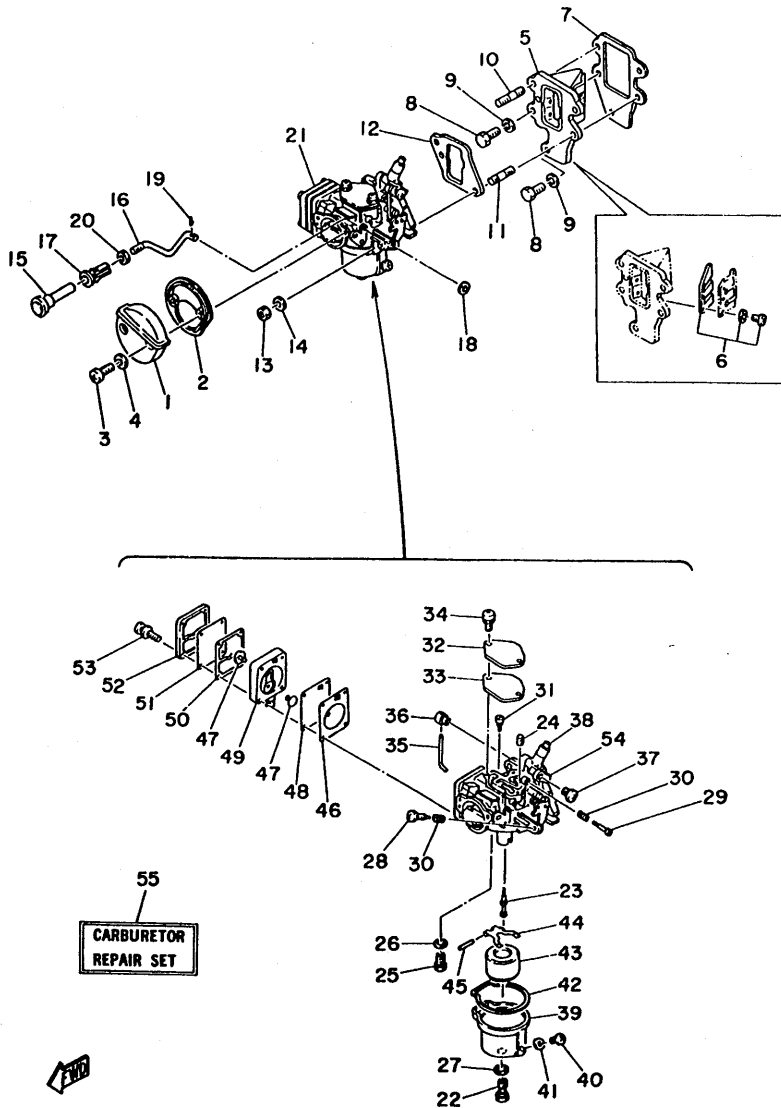
CRANKCASE, CYLINDER & PISTON '80/'81

Ref.No.	Parts No.	Description	Q'ty	Ref.No.	Parts No.	Description	Q'ty
1	677-W0090-01	CRANK CYLINDER ASS'Y (Ref. No. 2 to 71)	1	39	677-11400-00	CRANK ASS'Y	1
2	677-15100-01-94	CRANKCASE ASS'Y	1	40	677-11412-00	CRANK 1	1
3	650-11370-00	CHECK VALVE ASS'Y	1	41	677-11422-00	CRANK 2	1
4	646-11370-00	CHECK VALVE ASS'Y	2	42	677-11432-00	CRANK 3	1
5	677-11372-00	NIPPLE, hose	1	43	677-11442-00	CRANK 4	1
6	676-11372-00	NIPPLE, hose 2	1	44	677-11651-01	ROD, connecting	2
7	624-14485-00	PIPE, joint	1	45	93310-418U0	BEARING, con-rod big end	2
8	90445-07W02	HOSE (2.54-74-167mm)	1	46	677-11681-00	PIN, crank	2
9	90445-07Z58	HOSE (2.54-74-200mm)	2	47	90209-18112	WASHER (10.24-314-1.0mm)	4
10	90445-10W03	HOSE (54-104-240mm)	1	48	93306-20411	BEARING (B6204C3 Special)	3
11	90467-06016	CLIP	6	49	677-11515-00	SEAL, labyrinth	1
12	648-24356-00	CLIP	2	50	93440-47055	CIRCLIP (454 Special)	1
13	90464-07015	CLAMP	1	51	91690-30010	PIN, spring	1
14	93605-08041	WASHER, dowel B (54-8mm)	2	52	677-11631-00-96	PISTON (Standard 50.96mm)	} U.R. 2
15	97313-06045	BOLT	8	677-11631-00-97	PISTON (Standard 50.97mm)		
16	97313-06065	BOLT	2	677-11631-00-98	PISTON (Standard 50.98mm)		
17	90201-06043	WASHER (6.44-12.54-2.0mm)	10	677-11635-00	PISTON (Over Size 51.25mm)	2	
18	91830-21014	PIN, dowel A (6.44-104-14mm)	1	677-11636-00	PISTON (Over Size 51.50mm)	2	
19	664-11325-00	ANODE	1	53	647-11610-00	PISTON RING SET (Standard)	25
20	98280-06018	SCREW, flathead	1	647-11610-10	PISTON RING SET (Over Size 51.25mm)	25	
21	677-11111-00-94	HEAD, cylinder 1	1	647-11610-20	PISTON RING SET (Over Size 51.50mm)	25	
22	677-11181-00	GASKET, cylinder head	1	54	527-11633-00	PIN, piston	2
23	97313-06035	BOLT	13	55	93450-13022	CIRCLIP	4
24	90201-06043	WASHER (6.44-12.54-2.0mm)	13	56	93602-14118	BEARING, con-rod small end	56
25	677-12411-00	THERMOSTAT	1	57	90201-12565	WASHER (12.24-14.54-1.3mm)	4
26	677-12413-00-94	COVER, thermostat	1	58	677-15359-00-94	HOUSING, oil seal 1	1
27	677-12414-00	GASKET, cover	1	59	93210-42159	O-RING (2.44-42.44)	1
28	90201-21567	WASHER (21.54-27.54-2.0mm)	1	60	93102-20092	OIL SEAL (50-204-364-7mm)	1
29	97313-06025	BOLT	3	61	97313-06018	BOLT	4
30	92903-06500	WASHER	3	62	92903-06600	WASHER	4
31	677-41111-00-9W	INNER COVER, exhaust	1	63	677-15396-01-9W	HOUSING, oil seal 2	} A 1
	677-41111-00-94	INNER COVER, exhaust	2				
32	677-41112-00	GASKET, exhaust cover	1	64	677-15379-02	SEAL	1
33	677-41113-00-9W	OUTER COVER, exhaust	1	65	93210-42162	O-RING (2.44-42.84)	1
	677-41113-00-94	OUTER COVER, exhaust	1				
34	90101-06M12	BOLT	10	66	93101-14W01	OIL SEAL (5-144-254-6mm)	1
35	92903-06600	WASHER	10	67	93102-20M06	OIL SEAL (50-204-364-7mm)	1
36	97313-06012	BOLT	1	68	90201-41528	WASHER (414-504-1.5mm)	1
37	92903-06600	WASHER	1	69	97395-06016	BOLT	2
38	90430-06015	GASKET (6.54-10.54-1.5mm)	1		97375-06016	BOLT	2
				70	92990-06600	WASHER	2
				71	94701-00040	PLUG, spark (B-7HS) NGK	2
				72	677-11650-01	CONNECTING ROD ASS'Y	2
				73	677-W0001-00	POWER HEAD GASKET KIT	1

• New parts number
 • Not shown
 ■ Contents of power head gasket kit

Fig. 5 INTAKE '80/'81

INTAKE '80/'81



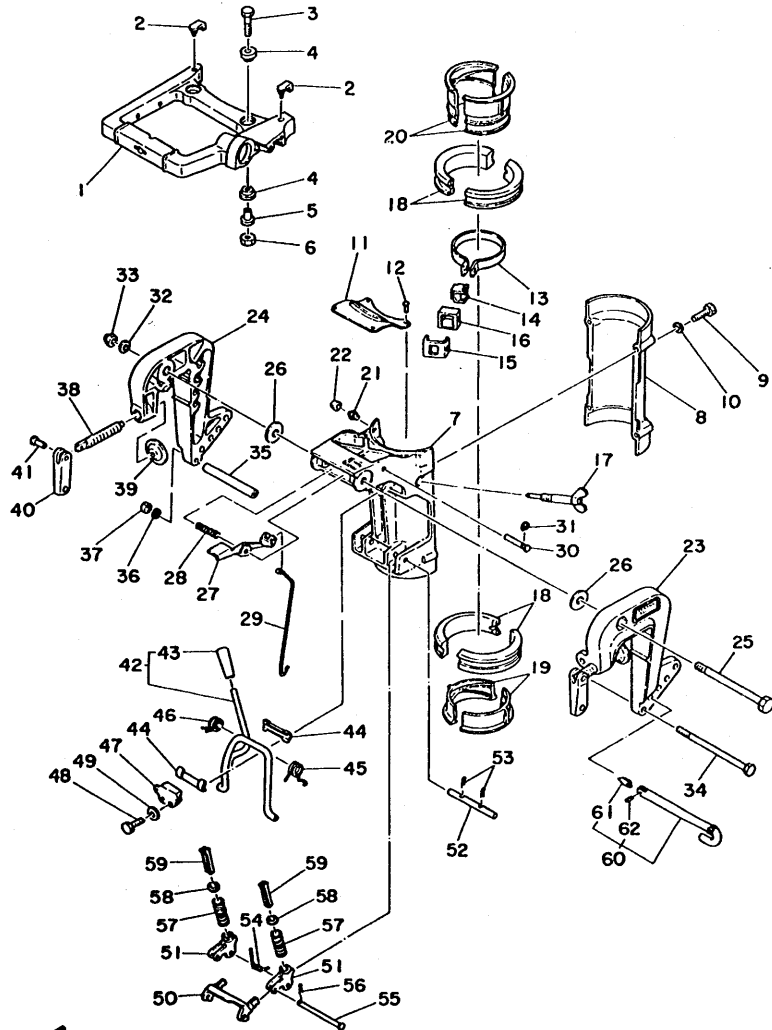
Ref.No.	Parts No.	Description	Q'ty	Ref.No.	Parts No.	Description	Q'ty
1	677-14431-00	SILENCER 1	1	31	647-14326-00	SCREW, guide	1
2	677-14441-00	SILENCER 2	1	32	677-14157-01	PLATE	1
3	97803-05020	SCREW, panhead	2	33	677-14227-00	GASKET	1
4	92903-05600	WASHER	2	34	677-14325-00	SCREW	2
5	677-13610-00	REED VALVE ASS'Y	1	35	677-41241-00	ROD	1
6	677-W0004-00	REED SET	15	36	677-41226-00	END, throttle lever	1
7	677-13621-00	PACKING, valve seat 1	1	37	677-14327-00	SCREW (M5-6mm)	1
8	97913-06018	BOLT	3	38	626-42658-00	BUSHING	1
9	92903-06100	WASHER	3	39	677-14381-00	BODY, float chamber	1
10	95621-06325	BOLT, stud	1	40	97803-04005	SCREW, panhead	1
11	90116-06W04	BOLT, stud	1	41	655-14398-00	GASKET 1	1
12	677-14198-00	GASKET	1	42	677-14384-00	GASKET, float chamber	1
13	95303-06700	NUT	2	43	647-14325-00	FLOAT	1
14	92903-06600	WASHER	2	44	626-14387-00	ARM, float	1
15	677-41271-00	KNOB, choke 1	1	45	626-14386-00	PIN, float	1
16	677-41256-00	ROD, choke link	1	46	677-24434-01	GASKET, pump 1	1
17	90480-14M02	GROMMET 1	1	47	682-24421-00	VALVE, check	2
18	92903-04200	WASHER	1	48	677-24411-01	DIAPHRAGM	1
19	90468-10004	CLIP	1	49	677-24412-01	COVER, pump	1
20	95303-04700	NUT	1	50	677-24435-01	GASKET, body 2	1
21	677-14301-80	CARBURETOR ASS'Y	1	51	677-24471-01	DIAPHRAGM	1
22	677-14343-39	JET, main (#78)	1	52	677-24413-01	COVER 2	1
23	677-14341-80	NOZZLE, main (1.74-13µm)	1	53	677-24444-00	SCREW (M5-13mm)	4
24	647-14342-21	JET, pilot (#42)	1	54	677-41210-00	ACCEL. ARM ASS'Y	1
25	626-14390-90	VALVE SEAT ASS'Y	1	55	677-W0093-00	CARBURETOR REPAIR SET	15
26	367-14195-00	WASHER, valve seat	1				
27	1J2-14398-00	GASKET	1				
28	648-14321-00	SCREW, throttle	1				
29	647-14323-00	SCREW, air adjusting	1				
30	646-14212-01	SPRING, pilot adjusting	2				

■ Contents of power head gasket kit (Parts No. 677-W0001-00, 678-W0001-00)

♣ Contents of carburetor repair set

Fig. 6 BRACKET '80/'81

BRACKET '80/'81

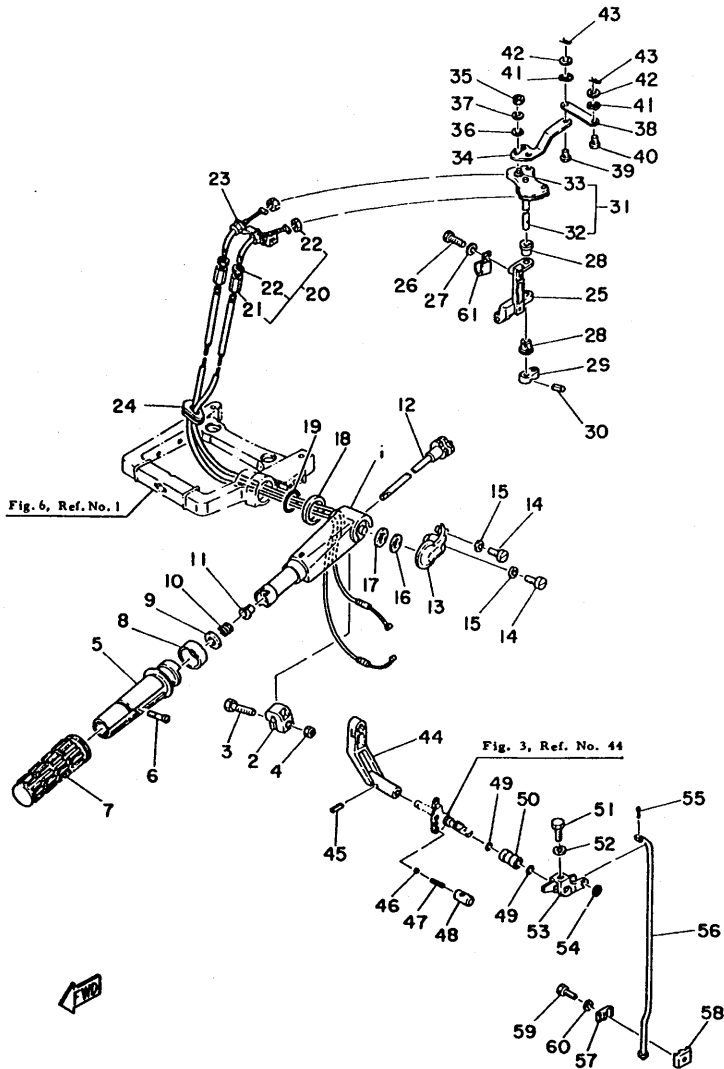


Ref.No.	Parts No.	Description	Q'ty	Ref.No.	Parts No.	Description	Q'ty
1	655-42511-00-F6	BRACKET, steering	1	34	90101-06336	BOLT	1
2	647-42523-00	SPACER, friction	2	35	90560-06088	SPACER, tube	1
3	97395-08035	BOLT	2	36	92990-06100	WASHER	1
4	647-42541-00	RUBBER	4	37	95380-06600	NUT	1
5	655-42542-00	PIPE 1	2	38	90149-12029	SCREW, transom clamp	2
6	95503-08600	NUT	2	39	648-43114-01	PAD, TRANSON CLAMP	2
7	677-43311-00-F6	BRACKET, swivel 1	1	40	616-43118-00-F6	HANDLF, transom clamp	2
8	647-43312-00-F6	BRACKET, swivel 2	1	41	90243-04001	PIN	2
9	97395-06040	BOLT	4	42	647-43180-09	TILT STOP LEVER ASS'Y	1
10	92990-06600	WASHER	4	43	620-43632-00	KNOB, tilt	1
11	655-43318-00-F6	COVER	1	44	620-43189-00	BUSHING	2
12	90269-02002	RIVET	4	45	90508-16021	SPRING, torsion 1	1
13	655-42525-00	PLATE, friction 1	1	46	90508-16020	SPRING, torsion 2	1
14	655-42526-00	PLATE, friction 2	1	47	654-43313-00-94	BRACKET, swivel 3	1
15	655-42527-00	PLATE, friction 3	1	48	97395-06025	BOLT	2
16	655-42532-00	COVER 1	1	49	92990-06600	WASHER	2
17	655-42529-00	SCREW, friction piece	1	50	647-43614-00	PLATE, tilt lock 1	1
18	655-42539-00	BUSHING, pivot shaft 3	4	51	647-43615-01	PLATE, tilt lock 2	2
19	647-42538-00	BUSHING, pivot shaft 2	2	52	647-43659-00	SHAFT, reverse lock	1
20	647-42537-00	BUSHING, pivot shaft 1	2	53	90468-10003	PIN, hair	2
21	93700-06004	NIPPLE, grease	2	54	90508-18022	SPRING, torsion	1
22	663-45119-00	CAP, grease nipple	2	55	90240-05047	PIN, with hole	1
23	620-43113-00-F6	BRACKET, clamp 1	1	56	90468-10005	PIN, hair	1
24	672-43112-00-F6	BRACKET, clamp 2	1	57	90501-26147	SPRING (Short, Long)	2
25	90101-10M28	BOLT	1	58	90501-26146	SPRING (Ultra Long, Super Long)	2
26	90201-10524	WASHER (10.56-324-2mm)	2	59	647-43627-01	STOPPER 1	2
27	677-43630-00	TILT LEVER ASS'Y	1	60	650-43160-11	TILT ROD ASS'Y	1
28	90501-16104	SPRING, compression	1	61	656-43165-01	PLATE, tilt lock	1
29	677-43616-00	ROD, tilt lock	1	62	91690-30008	PIN, spring	1
30	90249-04M05	PIN	1				
31	93430-04003	CIRCLIP	1				
32	90201-10130	WASHER (10.56-204-1.5mm)	1				
33	90185-10051	NUT	1				

* New parts number

• Not shown

● Contents of extension kit (Parts No. 677-W0073-00, 677-W0074-00)

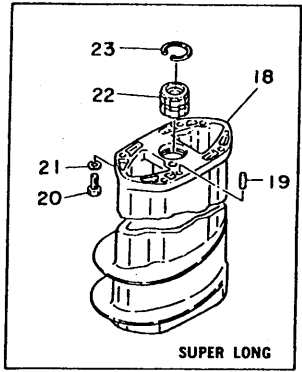
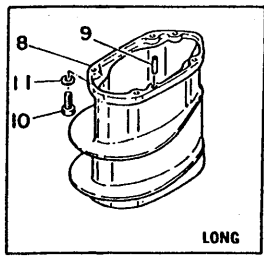
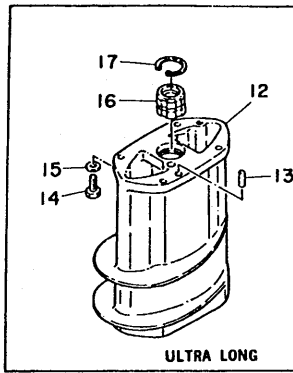
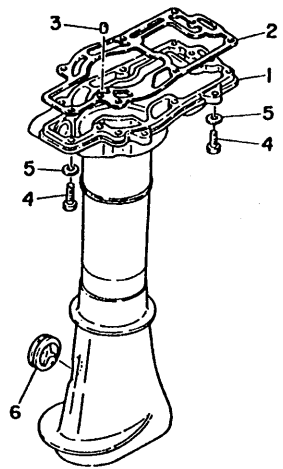


Ref.No.	Parts No.	Description	Q'ty	Ref.No.	Parts No.	Description	Q'ty
1	647-42111-02-F6	HANDLE, steering	1	32	655-41635-00	SHAFT, link connecting	1
2	656-42126-01	PIECE, friction	1	33	650-41641-00	BOSS, lever	1
3	97395-06020	BOLT	1	34	677-41631-00	LEVER, magneto control	1
*	97375-06020	BOLT	1	35	95303-06600	NUT	1
4	90185-06062	NUT, self-locking	1	36	92903-06600	WASHER	1
5	647-42119-02	GRIP, steering handle	1	37	92903-06100	WASHER	1
6	98180-05025	SCREW, ovalhead	1	38	677-41632-00	LEVER, magneto control 2	1
7	647-42117-00	RUBBER, handle 1	1	39	647-41652-00	SET PIN, MAGNETO CONTROL 2	1
8	677-42137-00	INDICATOR, throttle	1	40	90240-05004	PIN, with hole	1
9	92903-10600	WASHER	1	41	90206-05005	WASHER, wave (5.56-116-1.5mm)	2
10	90501-23215	SPRING	1	42	92990-05200	WASHER	2
11	90386-08032	BUSHING	1	43	90468-10005	PIN, hair	2
12	655-42138-01	LEVER, throttle	1	44	655-44111-02-F6	HANDLE, gear shift	1
*	655-42138-01-94	LEVER, throttle	1	45	91690-40016	PIN, spring	1
13	647-42112-00-F6	HANDLE, steering 2	1	46	93505-16024	BALL (5/16")	1
14	92380-06020	SCREW, cylinderhead	2	47	90501-12274	SPRING	1
15	92990-06100	WASHER	2	48	655-42715-00	BUSHING 2	1
16	647-42157-00-05	SPACER 3 (0.5mm)	} U.R. 1	49	93210-09165	O-RING (1.94-8.86)	2
	647-42157-00-06	SPACER 3 (0.6mm)		50	655-44122-03	BUSHING, shifter rod lever	1
	647-42157-00-08	SPACER 3 (0.8mm)		51	97370-05020	BOLT	1
17	90560-12075	SPACER, handle 1	1	52	92990-05100	WASHER	1
18	90560-30085	SPACER, handle 2	1	53	655-44121-01	LEVER, shift rod 1	1
19	93210-25032	O-RING (204-24.56)	1	54	92990-06200	WASHER	1
20	677-26301-00	THROTTLE WIRE ASS'Y	2	55	91490-16010	PIN, cotter	1
21	90179-06045	NUT, adjusting	2	56	655-44143-01	ROD, shift 1	1
22	90170-06011	NUT	6	57	616-44145-01	CONNECTOR, shift rod 1	1
23	655-14497-01	STAY, throttle wire	1	58	616-44146-01	CONNECTOR, shift rod 2	1
24	90480-16M03	GROMMET	1	59	97395-06020	BOLT	1
25	677-41661-00-94	BRACKET 1	1	*	97375-06020	BOLT	1
26	97313-06035	BOLT	2	60	92990-06600	WASHER	1
27	92903-06600	WASHER	2	61	90465-06020	CLAMP	1
28	90386-08032	BUSHING	2				
29	655-48541-00-F6	STAY	1				
30	91690-30016	PIN, spring	1				
31	655-41638-01	PULLEY	1				

- New parts number
 * Not shown
 ▲ Contents of lower unit gasket kit (Parts No. 677-W0001-20)

Fig.8 UPPER CASING -'80/'81

UPPER CASING -'80/'81

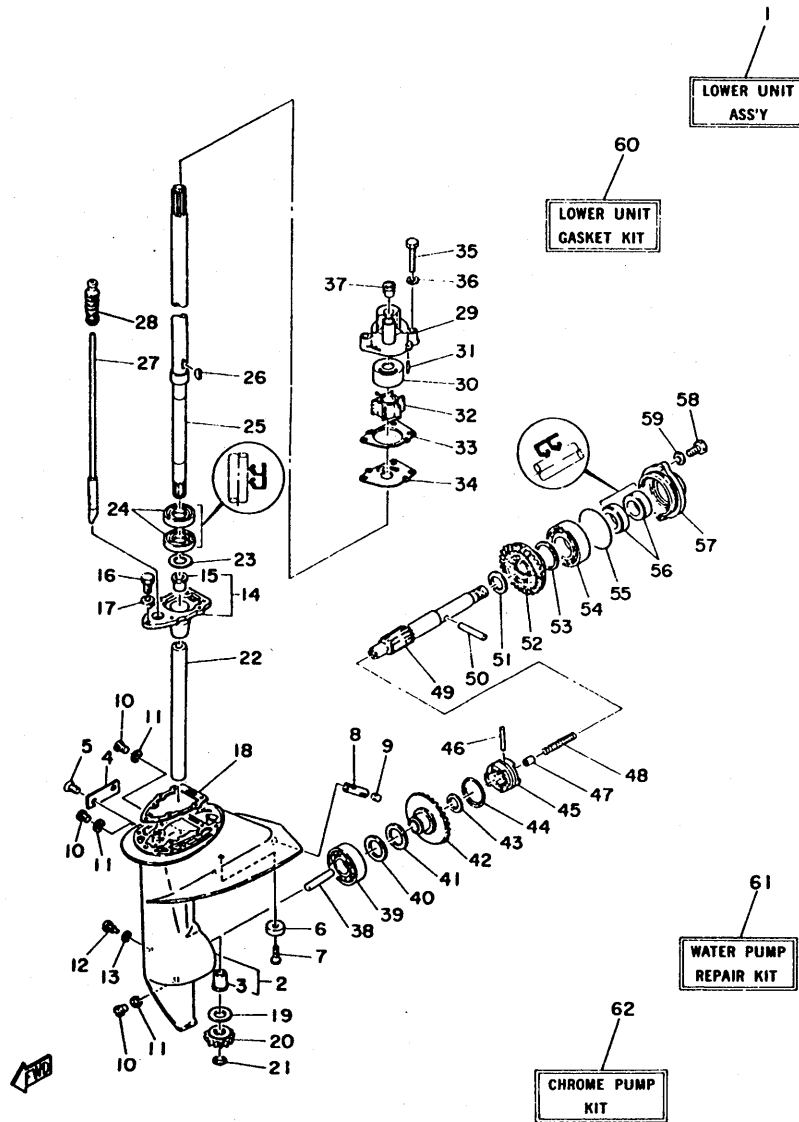


7
EXTENSION
KIT

Ref.No.	Parts No.	Description	Q'ty	Ref.No.	Parts No.	Description	Q'ty
1	677-45111-00-F6	CASING, upper	1	ULTRA LONG			
■ 2	677-45113-00	GASKET, upper casing	1	● 12	655-45211-20-F6	EXTENSION (Ultra Long 190mm)	1
3	93605-08041	PIN, dowel B (56-8mm)	2	● 13	93604-08062	PIN, dowel B (46-8mm)	2
4 -	97395-06025	BOLT	7	● 14 -	97395-06020	BOLT	4
*	97375-06025	BOLT	7	● *	97375-06020	BOLT	4
				● 15	92990-06600	WASHER	4
5	92990-06600	WASHER	7	● 16	655-45318-00	BUSHING	1
6	647-45151-01	COVER, upper casing 1	1	● 17	93420-26W00	CIRCLIP	1
● 7	677-W0072-00	EXTENSION KIT (Long)	1	SUPER LONG			
● *	677-W0073-00	EXTENSION KIT (Ultra Long)	1	● 18	655-45211-30-F6	EXTENSION (Super Long 267mm)	1
● *	677-W0074-00	EXTENSION KIT (Super Long)	1	● 19	93604-08062	PIN, dowel B (46-8mm)	2
LONG				● 20 -	97395-06020	BOLT	4
● 8	647-45211-10-F6	EXTENSION (Long 140mm)	1	● *	97375-06020	BOLT	4
● 9	93604-08062	PIN, dowel B (46-8mm)	2	● 21	92990-06600	WASHER	4
● 10 -	97395-06020	BOLT	4	● 22	655-45318-00	BUSHING	1
● *	97375-06020	BOLT	4	● 23	93420-26W00	CIRCLIP	1
● 11	92990-06600	WASHER	4				

- New parts number
- Not shown
- Contents of power head gasket kit (Parts No. 677-W0001-00, 678-W0001-00)
- Contents of extension kit

Fig. 9 LOWER & DRIVE I '80/'81



LOWER & DRIVE I '80/'81

Ref.No.	Parts No.	Description	Q'ty	Ref.No.	Parts No.	Description	Q'ty
1	677-45300-00-F6	LOWER UNIT ASS'Y (Short) (Ref. No. 2 to 49, 51 to 59)	15	●●	655-44150-30	SHIFT CAM ASS'Y (Super Long 578mm)	1
●	677-45300-10-F6	LOWER UNIT ASS'Y (Long) (Ref. No. 2 to 49, 51 to 59)	15	28	655-44147-00	BOOT, shift rod	1
2	655-45310-01-F6	LOWER CASING ASS'Y	1	29	655-44311-03	HOUSING, water pump	1
3	647-45316-09	BUSHING	1	★30	650-44322-01	INSERT, cartridge	1
4	655-45214-02-F6	COVER, water inlet	1	☆	655-44322-41	INSERT, cartridge (Chromate)	1
5	98180-05015	SCREW, ovalhead	2	31	93604-18080	PIN, dowel B (44-18.4mm)	2
6	616-45251-30	ANODE	1	★32	662-44352-00	IMPELLER	1
7	90142-06MCO	SCREW, ovalhead	1	▲★33	655-44315-00	GASKET, water pump	1
8	626-45215-00	COVER, water inlet 2	1	★34	655-44323-01	OUTER PLATE, cartridge	1
9	90334-10008	PLUG, blind	1	☆	655-44323-41	OUTER PLATE, cartridge (Chromate)	1
10	90340-08014	PLUG, straight screw	3	☆☆35	97295-06040	BOLT	3
▲11	90430-08020	GASKET (86-12.56-1.5mm)	3	☆☆	97375-06040	BOLT	3
12	90149-06003	SCREW, detent	3	36	92990-06600	WASHER	3
▲13	90430-06015	GA. KEY (6.56-10.56-1.5mm)	1	★37	647-44366-00	RUBBER, water seal 2	1
14	647-45331-00-94	HOUSING, bearing	1	38	654-45635-00	PLUNGER, shift	1
15	647-45316-09	BUSHING	1	39	93306-00401	BEARING (86004)	1
16	97390-06020	BOLT	2	40	647-45567-00	SHIM, gear adjust (0.1mm)	U.R.
+	97395-06020	BOLT	2	41	624-45567-00-03	SHIM, gear adjust (0.3mm)	U.R.
17	92990-06600	WASHER	2	42	624-45567-00-05	SHIM, gear adjust (0.5mm)	U.R.
▲18	647-45315-00	PACKING, lower casing	1	43	647-45560-00	GEAR 1 ASS'Y (27T)	1
19	647-45533-00-08	WASHER, thrust 1 (0.8mm)	1	44	90201-13198	WASHER (13.36-20.56-1.5mm)	1
	647-45533-00-10	WASHER, thrust 1 (1.0mm)	U.R.	45	655-45633-00	RING, cross pin	1
	647-45533-00-12	WASHER, thrust 1 (1.2mm)	1	46	655-45631-00	CLUTCH, dog	1
	647-45533-00-14	WASHER, thrust 1 (1.4mm)	1	47	93605-29098	PIN, dowel B (56-29.0mm)	1
20	647-45551-00	PIMION (13T)	1	48	648-45634-00	SLIDE, shift	1
21	93430-07012	CIRCLIP (E-74)	1	49	90501-10064	SPRING	1
22	90387-14108	COLLAR (146-166-124mm)	1	49	655-45611-00	SHAFT, propeller	1
23	90201-12161	WASHER (12.16-16.56-0.5mm)	U.R.	50	90250-05036	PIN, straight	1
▲24	93101-18050	OIL SEAL (5-186-286-6mm)	2	51	90201-15229	WASHER, thrust (15.34-20.56-15mm)	1
25	655-45501-00	DRIVE SHAFT COMP. (Short 644mm)	1	52	647-45570-01	GEAR 2 ASS'Y (27T)	1
●	655-45501-10	DRIVE SHAFT COMP. (Long 784mm)	1	53	626-45577-00-01	SHIM, gear adjust 2 (0.1mm)	U.R.
●	655-45501-20	DRIVE SHAFT COMP. (Ultra Long 834mm)	1	626-45577-00-03	SHIM, gear adjust 2 (0.3mm)	U.R.	
●	655-45501-30	DRIVE SHAFT COMP. (Super Long 911mm)	1	626-45577-00-05	SHIM, gear adjust 2 (0.5mm)	U.R.	
☆☆26	90280-03024	KEY, woodruff	1	54	93306-00501	BEARING (86005)	1
27	655-44150-00	SHIFT CAM ASS'Y (Short 311mm)	1	▲55	93210-58144	O-RING (3.16-58.46)	1
+	655-44150-10	SHIFT CAM ASS'Y (Long 451mm)	1	▲56	93101-15074	OIL SEAL (S-156-286-6mm)	2
●●	655-44150-20	SHIFT CAM ASS'Y (Ultra Long 501mm)	1	57	655-45361-02-F6	CAP, lower casing	1
				58	97395-06020	BOLT	2
				+	97375-06020	BOLT	2
				59	92990-06600	WASHER	2
				▲60	677-W0001-20	LOWER UNIT GASKET KIT	1
				★61	655-W0078-10	WATER PUMP REPAIR KIT	1
				☆☆62	655-W0078-1A	CHROME PUMP KIT	1

- New parts number
- Not shown
- ▲ Contents of lower unit gasket kit
- Contents of extension kit (Parts No. 677-W0072-00, 677-W0073-00, 677-W0074-00)
- ★ Contents of water pump repair kit
- ☆☆ Contents of chrome pump kit

Fig. 10 LOWER & DRIVE 2 '80/'81

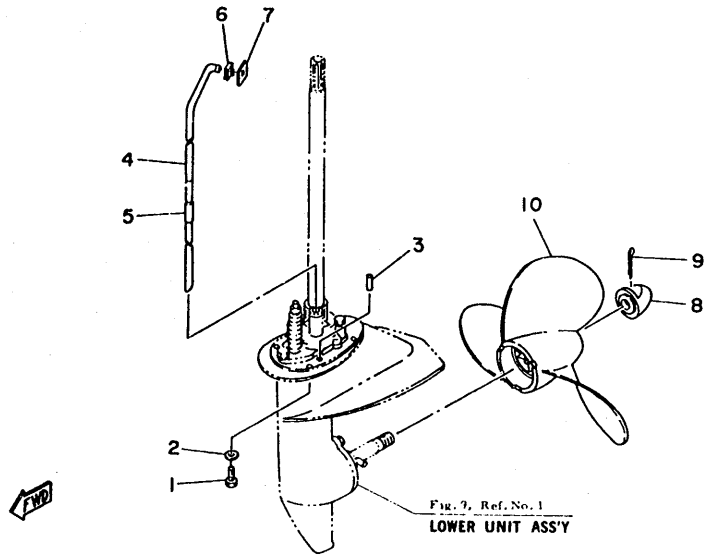


Fig. 7, Ref. No. 1
LOWER UNIT ASS'Y

Ref.No.	Parts No.	Description	Q'ty	Ref.No.	Parts No.	Description	Q'ty
1	97395-06020	BOLT	4	7	655-44373-00	SET PLATE, water tube	1
2	97375-06020	BOLT	4	8	647-45616-02	NUT, propeller	1
3	92990-06600	WASHER	4	9	91490-30030	PIN, cotter	1
4	93604-08062	PIN, dowel B (46-8mm)	2	10	647-45941-00-36	PROPELLER ASS'Y 1 (2X9°X9°-C)	1
5	655-44361-00	TUBE, water (Short 373mm)	1	647-45943-00-36	PROPELLER ASS'Y 2 (3X9°X7°-C)		
6	655-44361-10	TUBE, water (Long 513mm)	1	655-45943-00-36	PROPELLER ASS'Y 2 (3X9°X7°-C)		
7	655-44361-20	TUBE, water (Ultra Long 563mm)	1	655-45945-00-36	PROPELLER ASS'Y 3 (3X9°X6°-C)		
8	655-44361-30	TUBE, water (Super Long 640mm)	1	647-45947-00-36	PROPELLER ASS'Y 4 (3X9°X9°-C)		
9	90445-11262	HOSE (Short, Long) (7.04-11.04-30.0mm)	1	655-45947-01-36	PROPELLER ASS'Y 4 (3X9°X5°-C)		
10	655-44365-00	RUBBER, water seal 1	1	655-45949-00-36	PROPELLER ASS'Y 5 (3X9°X5°-C)		
				647-45926-00-36	PROPELLER ASS'Y 8 (3X9°X7°-C)		

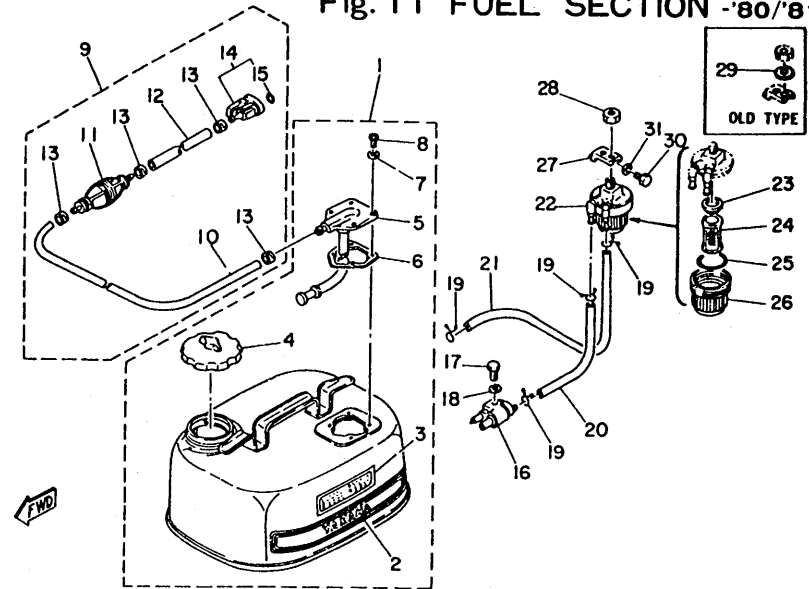
• New parts number

■ Not shown

■ Contents of power head gasket kit (Parts No. 677-W0001-00, 678-W0001-00)

● Contents of extension kit (Parts No. 677-W0072-00, 677-W0073-00, 677-W0074-00)

Fig. 11 FUEL SECTION '80/'81



Ref.No.	Parts No.	Description	Q'ty	Ref.No.	Parts No.	Description	Q'ty
1	655-24202-81-24	FUEL TANK ASS'Y	1	16	655-24304-02	FUEL PIPE JOINT COMP. 1	1
2	655-24244-80	GRAPHIC, side	2	17	97313-06020	BOLT	1
3	655-24245-81	GRAPHIC	1	18	97313-06025	BOLT	1
4	647-24610-02	CAP ASS'Y	1	19	92903-06100	WASHER	1
5	655-24275-60	FUEL METER COMP.	1	20	90467-08004	CLIP	4
6	663-24268-00	GASKET, fuel meter housing	1	21	90445-09068	HOSE (56-96-110mm)	1
7	630-24329-00	SEAL	4	22	90445-09163	HOSE (56-96-235mm)	1
8	98580-05015	SCREW, panhead	4	23	655-24560-00	FILTER ASS'Y	1
9	655-24310-00	FUEL PIPE ASS'Y	1	24	655-24564-00	PACKING, filter	1
+10	90445-12156	HOSE (64-11.54-1500mm)	1	25	655-24563-00	ELEMENT, filter	1
11	650-24360-01	PRIMARY PUMP ASS'Y	1	26	93210-37M25	O-RING (2.04-34.56)	1
+12	90445-12155	HOSE (64-11.54-1000mm)	1	27	655-24521-00	CUP, filter	1
13	650-24351-00	BAND, fuel pipe 1	4	28	648-24566-01	BRACKET, filter	1
14	655-24305-01	FUEL PIPE JOINT COMP. 2	1	29	95303-08600	NUT	1
15	93210-08287	O-RING (3.04-8.04)	1	30	92903-08100	WASHER	1
				31	97313-06012	BOLT	1
					92903-06100	WASHER	1

(1) 2 086210 and before (1) 028031 and before (1) 247000 and before (1) 028020 and up
 (2) 199410 and before (2) 791031 and before (2) 791031 and before (2) 791030 and up
 (3) 901900 and before (3) 904421 and up (3) 904421 and up (3) 901800 and up

• New parts number

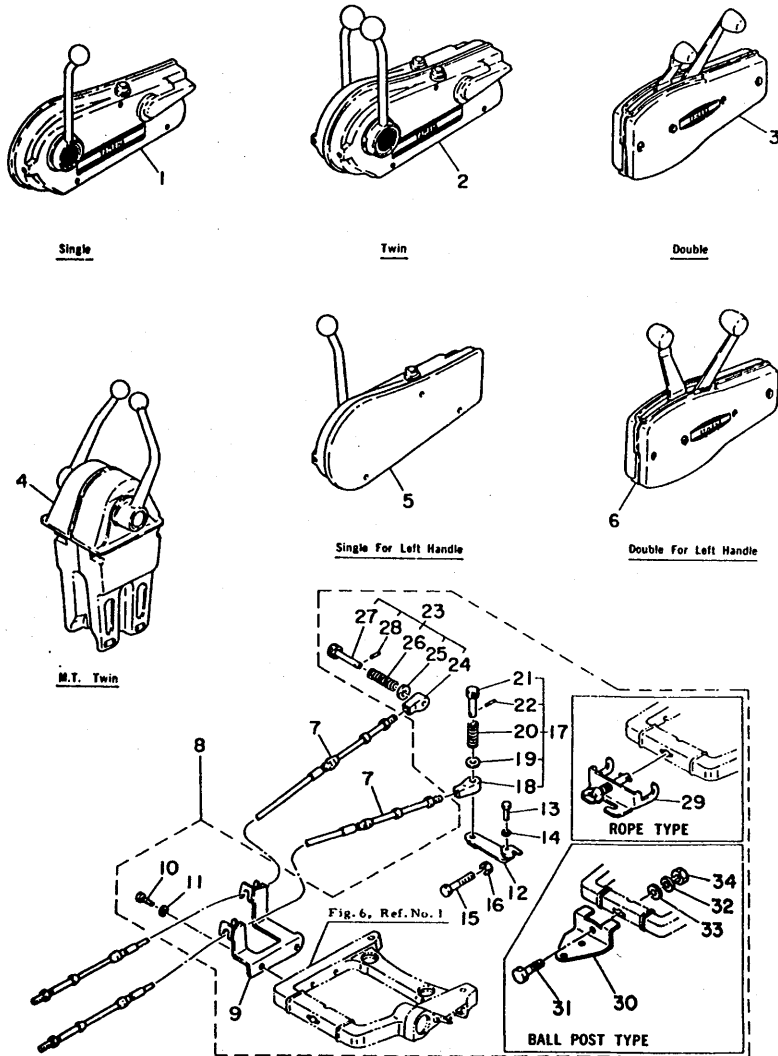
• Not shown

■ Contents of power head gasket kit (Parts No. 677-W0001-00, 678-W0001-00)

♦ Also available in 30m rolls (Parts No. 90890-56878)

Fig. 12 REMOTE CONTROL -'80/'81

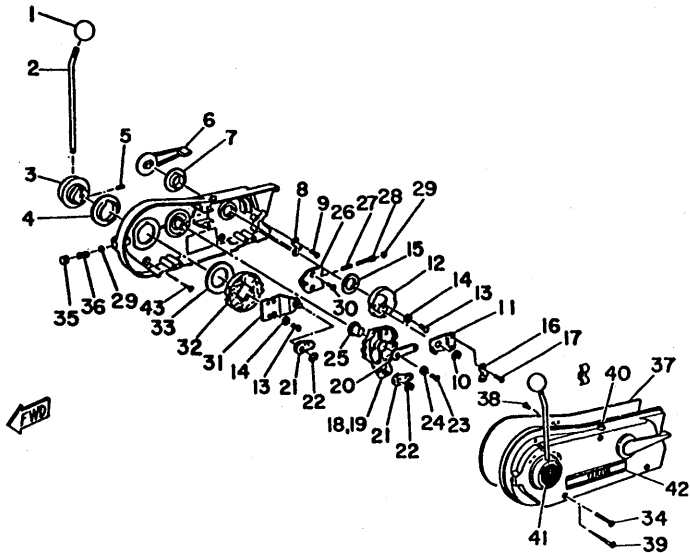
REMOTE CONTROL -'80/'81



Ref.No.	Parts No.	Description	Q'ty	Ref.No.	Parts No.	Description	Q'ty
REMOTE CONTROL							
▲ 1	701-48110-11	REMOTE CONTROL ASS'Y 1	} U.R.	12	647-48534-50	THROTTLE LEVER, control	1
▲ 2	701-48110-21	REMOTE CONTROL ASS'Y 2		13	97370-05020	BOLT	1
3	701-48110-31	REMOTE CONTROL ASS'Y 3		14	92990-05600	WASHER	1
4	701-48110-80	REMOTE CONTROL ASS'Y 8		15	97395-06045	BOLT	1 } A
				*	97370-06045	BOLT	1
5	701-48320-11	REMOTE CONTROL ASS'Y 1	} U.R.	16	95390-06600	NUT	1
6	701-48320-31	REMOTE CONTROL ASS'Y 3		17	647-48340-50	CABLE END ASS'Y (Throttle)	1
7	701-48310-10	CABLE, remote control 6F		18	647-48346-50	CABLE END, remote control	1
	701-48310-20	CABLE, remote control 7F		19	92990-08600	WASHER	1
	701-48310-40	CABLE, remote control 8F		20	90501-10264	SPRING, compression	1
	701-48310-60	CABLE, remote control 9F	} U.R.	21	617-48361-90	HOOK, cable 2	1
	701-48310-90	CABLE, remote control 11F		22	91690-30012	PIN, spring	1
	701-48320-00	CABLE, remote control 12F		23	647-48330-50	CABLE END ASS'Y (Shift)	1
	701-48320-20	CABLE, remote control 13F		24	617-48346-90	CABLE END, remote control	1
	701-48320-30	CABLE, remote control 14F		25	92990-08600	WASHER	1
	701-48320-50	CABLE, remote control 15F		26	90501-10071	SPRING, compression	1
	701-48320-60	CABLE, remote control 16F		27	617-48331-90	HOOK, cable 1	1
	701-48320-80	CABLE, remote control 17F		28	91690-30012	PIN, spring	1
	701-48320-90	CABLE, remote control 18F		ROPE TYPE			
				29	700-48510-12	STEERING HOOK ASS'Y	1
REMOTE CONTROL ATTACHMENT							
8	655-48501-02	ATTACHMENT ASS'Y (Rope Type) (Ref. No. 9 to 29)	1	BALL POST TYPE			
	655-48501-10	ATTACHMENT ASS'Y (Ball Post Type) (Ref. No. 9 to 28, 30 to 34)	1	31	97395-10040	BOLT	1 } A
9	655-48531-51	BRACKET, remote control	1	*	97375-10040	BOLT	1
10	97395-06018	BOLT	2 } A	32	92990-10100	WASHER	1
*	97370-06018	BOLT	2	33	92990-10600	WASHER	1
11	92990-06600	WASHER	2	34	95380-10600	NUT	1

- New parts number
- Not shown
- ▲ See Fig. 13 for detail service Parts.

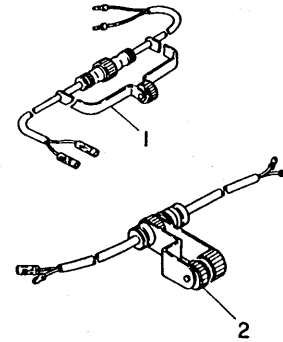
Fig. 13 REMOTE CONTROL ASS'Y -'80/'81



Ref.No.	Parts No.	Description	Q'ty	Ref.No.	Parts No.	Description	Q'ty
■	701-48110-11	REMOTE CONTROL ASS'Y 1 (See Fig. 12, Ref. No. 1)	1	21	701-48345-30	CABLE END, remote control	2
■	701-48110-21	REMOTE CONTROL ASS'Y 2 (See Fig. 12, Ref. No. 2)	- 1	22	93430-06024	CIRCLIP (E-6#)	2
1	701-48118-10	GRIP, shift lever	1	23	90140-05008	SCREW	1
2	701-48137-10	LEVER, control	1	24	92990-05300	WASHER, tooth	1
3	701-48114-10	BOSS, control lev.r	1	25	701-48165-10	BUSHING	1
4	701-48116-10	BUSHING	1	26	701-48189-10	RETAINER	1
5	701-48127-10	SCREW	1	27	701-48159-10	SPRING 2	1
6	701-48152-10	KNOB, free accel.	1	28	701-48155-10	PLUNGER	1
7	701-48191-10	WASHER 1	1	29	93503-08025	BALL, steel	2
8	701-48352-10	ANCHOR, cable	1	30	90141-05005	SCREW	2
9	90146-05004	SCREW, ovalhead	2	31	701-48132-10	LEVER, throttle 2	1
10	93430-10025	CIRCLIP (E-10#)	1	32	701-48131-10	LEVER, throttle 1	1
11	701-48133-10	PLATE, link	1	33	701-48196-10	WASHER, wave	1
12	701-48153-10	SHAFT, free accel.	1	34	90141-05006	SCREW	- 3
13	90146-06003	SCREW, ovalhead	3	35	701-48171-10	BOLT	1
14	92990-06300	WASHER, tooth	3	36	701-48158-10	SPRING	1
15	701-48191-10	WASHER 1	1	37	701-48119-10	COVER	1
16	701-48352-10	ANCHOR, cable	1	38	90140-05009	SCREW	3
17	90146-05004	SCREW, ovalhead	2	39	90130-05003	SCREW	3
18	701-48148-10	LEVER, shift	- 1	40	701-82550-51	STOP SWITCH ASS'Y	1
19	701-48136-10	LEVER, shift	1	41	701-48125-51	MARK 1	1
20	701-48147-10	PLATE, lock	1	42	701-48126-51	MARK 2	1
				43	90130-05002	SCREW	3

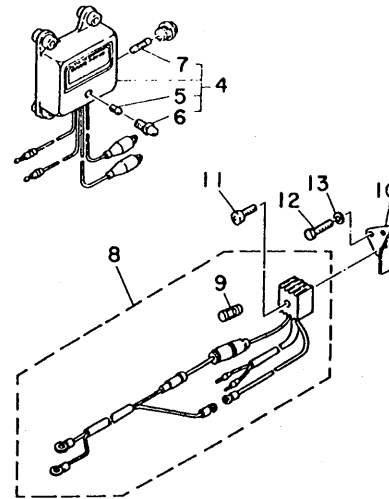
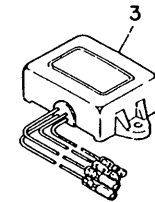
■ Not shown

Fig. 14 OPTIONAL PARTS I -'80/'81



Ref.No.	Parts No.	Description	Q'ty
CONCENT 2P			
1	616-83180-30	CONCENT 2P ASS'Y	1
2	682-84380-00	CONCENT 2P ASS'Y	1
The following parts are not used when using the concent 2P ass'y (Parts No. 682-84380-00)			
2-24	677-42724-00	GROWMET 1	1

Ref.No.	Parts No.	Description	Q'ty
VOLTAGE REGULATOR			
3	663-81910-10	VOLTAGE REGULATOR ASS'Y	1



Ref No.	Parts No	Description	Q'ty
RECTIFIER			
4	648-81970-41	RECTIFIER ASS'Y	1
5	648-81977-40	BULB, rectifier (12V-3W)	1
6	648-81978-40	LENS, rectifier	1
7	648-82151-41	FUSE, rectifier (12V-7A)	1
8	676-81970-00	RECTIFIER ASS'Y (Small Type)	1
9	663-82151-00	FUSE, rectifier (12V-20A)	1
10	677-81975-00	PLATE, rectifier fitting	1
11	97803-05025	SCREW, panhead	1
12	97313-06010	BOLT	2
13	92903-066C0	WASHER	2

Ref.No.	Parts No.	Description	Q'ty
VERTICAL STARTER			
14	677-15758-81-F6	GUIDE, wire (Vertical Type)	1

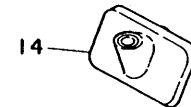
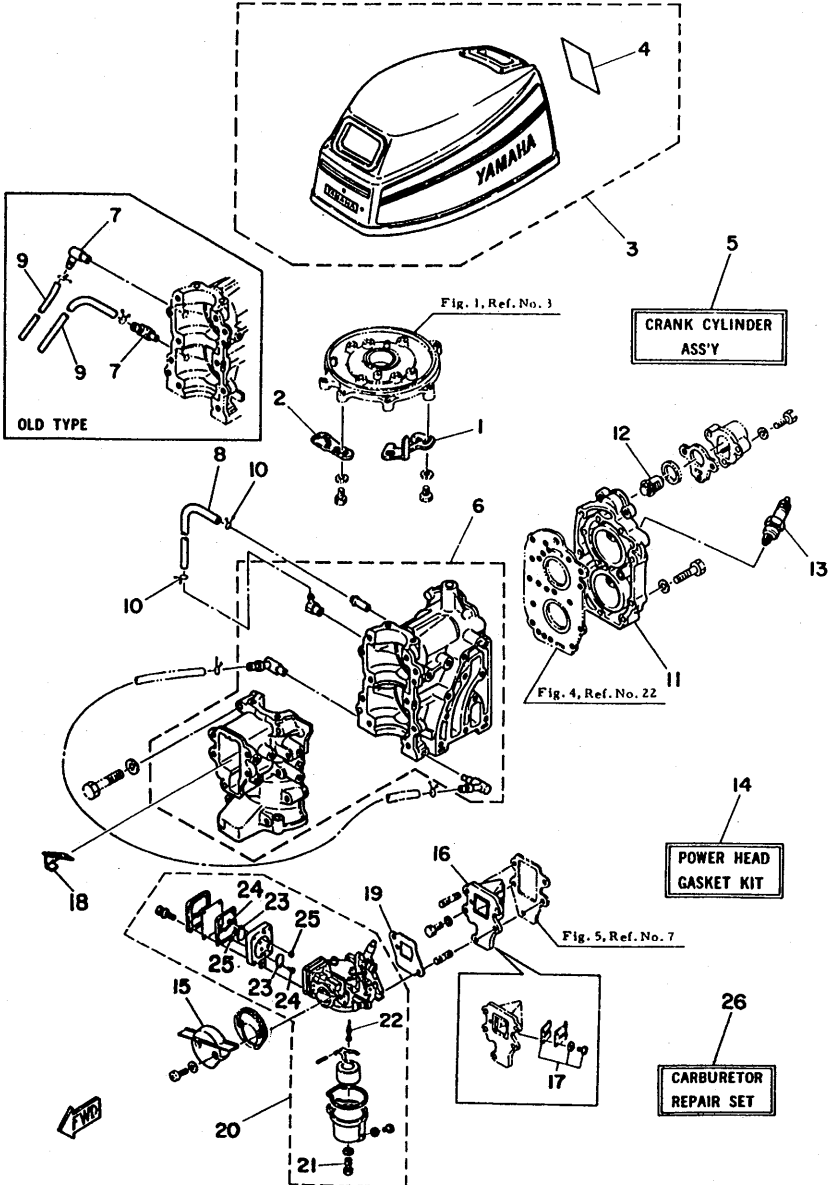


Fig. 15 OPTIONAL PARTS 2 (6B MODEL) -'80/'81



OPTIONAL PARTS 2 (6B MODEL) -'80/'81

Ref.No.	Parts No.	Description	Q'ty	Ref.No.	Parts No.	Description	Q'ty
1	678-41615-80	STOPPER, magneto base 1	1	15	678-14431-00	SILENCER 1	1
2	678-41213-80-94	CAM, accel.	1	16	677-14431-00	SILENCER 1	1
3	678-42610-82-F6	TOP COWLING ASS'Y	1	16	678-13610-01	REED VALVE ASS'Y	1
4	678-42610-81-F6	TOP COWLING ASS'Y	1	17	677-13610-00	REED VALVE ASS'Y	1
4	678-42678-80	GRAPHIC, rear	1	18	678-13610-80	REED VALVE ASS'Y (For Germany)	1
4	678-42678-00	GRAPHIC, rear	1	19	678-13610-00	REED VALVE ASS'Y (For Germany)	1
5	678-W0090-02	CRANK CYLINDER ASS'Y	1	17	678-W0004-00	REED SET	15
5	678-W0090-01	CRANK CYLINDER ASS'Y	1	18	677-W0004-00	REED SET	15
6	678-15100-00-94	CRANKCASE ASS'Y	1	19	678-W0004-80	REED SET (For Germany)	1
6	677-15100-01-94	CRANKCASE ASS'Y	1	18	678-13625-00	SPACER, reed valve	1
7	646-11370-00	CHECK VALVE ASS'Y	2	19	678-14198-00	GASKET	1
8	90445-07254	HOSE (2.54-74-118mm)	1	20	677-14198-00	GASKET	1
8	90445-07M02	HOSE (2.54-74-167mm)	1	20	678-14301-82	CARBURETOR ASS'Y	1
9	90445-07258	HOSE (2.54-74-200mm)	2	21	678-14301-81	CARBURETOR ASS'Y	1
10	90467-06016	CLIP	2	21	678-14301-40	CARBURETOR ASS'Y (For Germany)	1
10	90467-06016	CLIP	6	21	677-14343-41	JET, main (#82)	1
11	678-11111-01-94	HEAD, cylinder	1	22	677-14343-35	JET, main (#70)	1
11	678-11111-00-94	HEAD, cylinder	1	22	678-14341-81	NOZZLE, main (1.84-12.7mm)	1
12	678-12411-80	THERMOSTAT	1	23	678-14341-80	NOZZLE, main (1.84-14.5mm)	2
13	94701-00069	PLUG, spark (B-5HS) NGK	2	23	6A0-24421-00	VALVE, check	2
14	678-W0001-00	POWER HEAD GASKET KIT	1	24	98501-03006	SCREW, parhead	2
14	677-W0001-00	POWER HEAD GASKET KIT	1	25	98013-03100	NUT	2
				26	678-W0093-00	CARBURETOR REPAIR SET	15
				26	677-W0093-00	CARBURETOR REPAIR SET	15

The following parts are not used when using the 6B model.

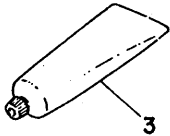
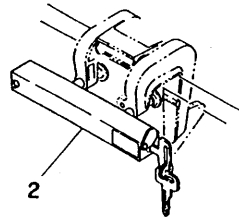
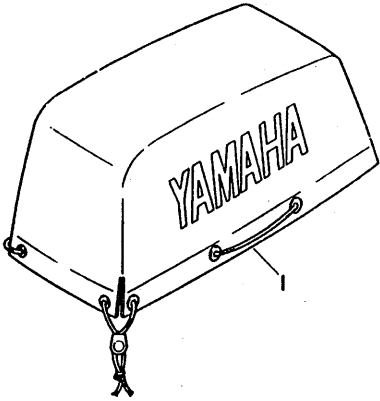
1-23	677-41615-01	STOPPER MAGNETO BASE 1	1	4-73	677-W0001-00	POWER HEAD GASKET KIT	1
1-26	677-41213-00-94	CAM, accel.	1	5-1	677-14431-00	SILENCER 1	1
2-1	677-42610-82-F6	TOP COWLING ASS'Y	1	5-5	677-13610-00	REED VALVE ASS'Y	1
2-5	677-42678-80	GRAPHIC, rear	1	5-6	677-W0004-00	REED SET	15
4-1	677-W0090-01	CRANK CYLINDER ASS'Y	1	5-12	677-14198-00	GASKET	1
4-2	677-15100-01-94	CRANKCASE ASS'Y	1	5-21	677-14301-80	CARBURETOR ASS'Y	1
4-4	646-11370-00	CHECK VALVE ASS'Y	2	5-22	677-14343-35	JET, main (#70)	1
4-8	90445-07M02	HOSE (2.54-74-167mm)	1	5-23	677-14341-80	NOZZLE, main (1.74-13mm)	1
4-9	90445-07258	HOSE (2.54-74-200mm)	2	5-47	682-24421-00	VALVE, check	2
4-11	90467-06016	CLIP	6	5-55	677-W0093-00	CARBURETOR REPAIR SET	15
4-21	677-11111-00-94	HEAD, cylinder 1	1	10-10	647-45941-00-36	PROPELLER ASS'Y 1 (2X9°X9°-C)	U.R.
4-25	677-12411-80	THERMOSTAT	1	10-10	647-45947-00-36	PROPELLER ASS'Y 4 (3X9°X9°-C)	1
4-71	94701-00040	PLUG, spark (B-7HS) NGK	1				

① 90467-06016 and before
② 90467-06016 and before

- New parts number
- Not shown
- Contents of power head gasket kit
- ◆ Contents of carburetor repair set

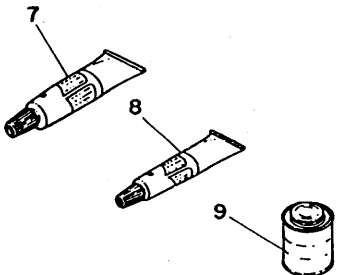
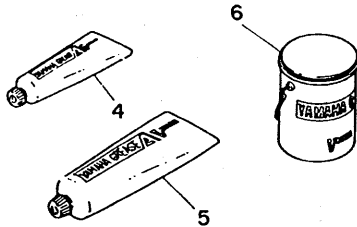
Fig. 16. ACCESSORY PARTS '80/'81

— MEMO —



Ref.No.	Parts No.	Description	Q'ty
1	90890-56874	ENGINE COVER	1
2	90890-46000	OUTBOARD LOCK	1
3	90890-69908	YAMAHA GREASE C (150g)	U.R.

Ref.No.	Parts No.	Description	Q'ty
YAMAHA GREASE			
4	90890-69910	YAMAHA GREASE A (150g)	} U.R.
5	90890-69911	YAMAHA GREASE A (250g)	
6	90890-69912	YAMAHA GREASE A (4Kg)	



Ref.No.	Parts No.	Description	Q'ty
YAMAHA BOND			
7	90890-05143	YAMAHA BOND (200g)	} U.R.
8	90890-05144	YAMAHA BOND (150g)	
9	90890-05074	YAMAHA BOND (100g)	

Series of horizontal dotted lines for writing a memo.

