



# PARTS CATALOGUE

# HELM MASTER ( 6ES3 ) JOYSTICK CONTROL SYSTEM

---



1R6ES-100EA

( )

HELM MASTER JOYSTICK CONTROL SYS-  
TEM

PARTS CATALOGUE

©2017 by Yamaha Motor Co., Ltd.

1st edition, March 2017

All rights reserved.

Any reprinting or unauthorized use  
without the written permission of  
Yamaha Motor Co., Ltd.  
is expressly prohibited.

Printed in Japan.

# FOREWORD

This Parts Catalogue is related to the parts for the model(s) on the cover page. When you are ordering replacement parts, please refer to this Parts Catalogue and quote both part numbers and part names correctly.

1. Modifications or additions which have been made after the issue of the Parts Catalogue will be announced in the Parts News.  
It is advisable that you make the necessary corrections to the Parts Catalogue according to the Parts News.

2. Abbreviations

The following abbreviations are used in this Parts Catalogue.

“UR” Use specified parts number.

“UN” Use as many as needed.

“AP” Alternate Parts

“LM” Locally Made (Parts need to be ordered locally)

“F#” Frame No. (Applicable machine No.)

“O/S” Over Size

3. The number of components for assembly

- Parts, which are to be supplied in an assembly, are listed with a dot (.) in front of the part name as shown below.
- The numeral appearing to the right of each component part indicates the quantity of parts for each assembly unit.

PART NO.	DESCRIPTION	Q'TY	REMARKS
2F5-83310-60	FRONT FLASHER LIGHT ASSY	2	
115-83311-60	.BULB (6V-18W)	1	

4. Applicable colours of graphics are represented in the “REMARKS” as shown below.

PART NO.	DESCRIPTION	Q'TY	REMARKS
2N4-24110-00-X5	FUEL TANK COMP.	2	MXR
3J1-24240-10	.GRAPHIC, FUEL TANK	1	FOR MXR

5. Note that the illustrations for reference in finding parts numbers are not to be used for assembling. When assembling, please use the applicable service manual.

6. The asterisk (\*) before a reference number indicates modified items after the first edition.

7. Applicable Serial No.

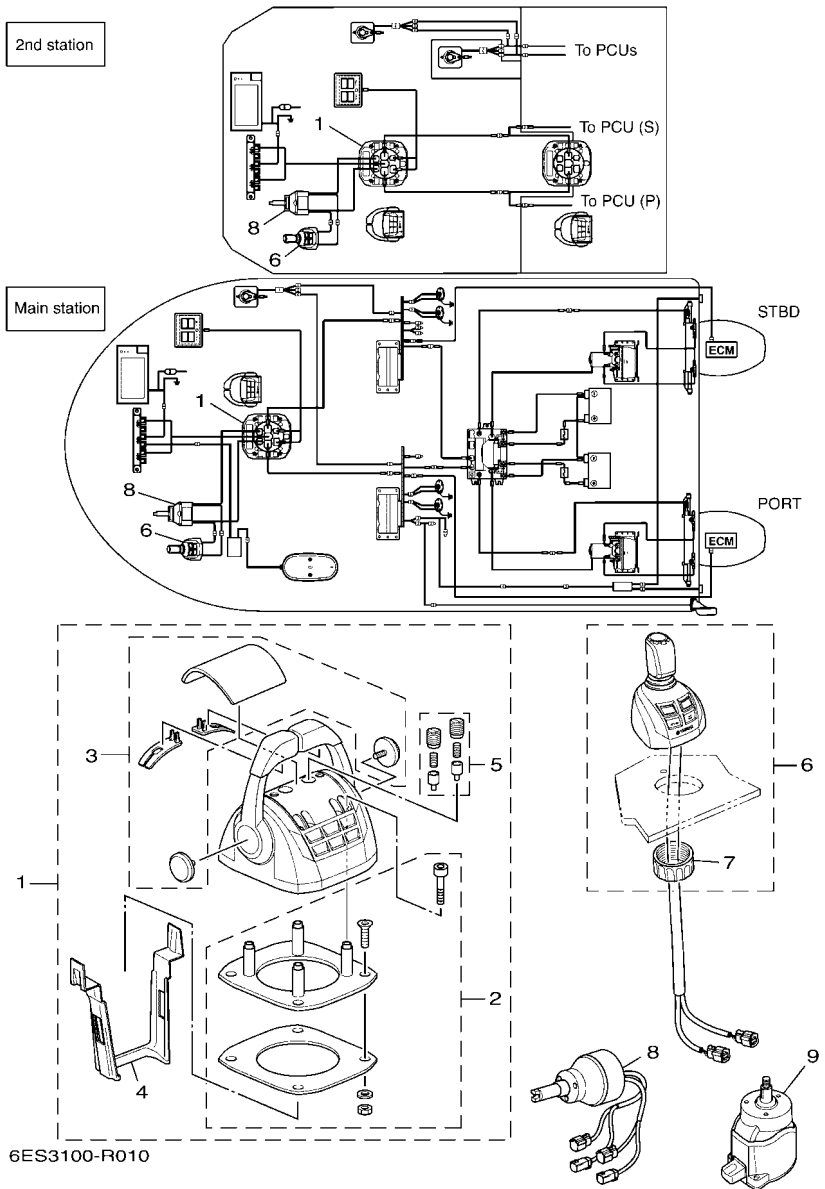
Refer to HELM MASTER RIGGING MANUAL

8. Quantity Column Information

Column No.	Name Of Q'ty Column	Applicable Model
1	TWIN	TWIN ENGINE (MAIN,2ND)
2	TRIP	TRIPLE ENGINE (MAIN,2ND)
3	QUAD	QUAD ENGINE (MAIN,2ND)

# CONTENTS

REMOCON. & JOYSTICK (TWIN).....	1
REMOCON. & JOYSTICK (TRIPLE).....	2
REMOCON. & JOYSTICK (QUAD).....	3
HARNESS (TWIN).....	4
HARNESS (TRIPLE).....	5
HARNESS (QUAD).....	6
STEERING KIT (TWIN).....	7
STEERING KIT (TRIPLE).....	8
STEERING KIT (QUAD).....	9
MULTI DISPLAY.....	10
MULTI DISPLAY (TWIN).....	11
MULTI DISPLAY (TRIPLE).....	12
MULTI DISPLAY (QUAD).....	13
PANEL SWITCH (TWIN).....	14
PANEL SWITCH (TRIPLE).....	15
PANEL SWITCH (QUAD).....	16
EKS ASSY (TWIN).....	17
EKS ASSY (TRIPLE).....	18
EKS ASSY (QUAD).....	19
OPTIONAL PARTS.....	20
<b>INDEX</b>	
NUMERICAL INDEX.....	21



**FIG. 1 REMOCON. & JOYSTICK (TWIN)**

REF. NO.	PART NO.	DESCRIPTION	TWIN	TRIP	QUAD	REMARKS
1	6ES-48207-02	REMOTE CONTROL ASSY	2			ASK TO MARINE DIV
2	6ES-48291-00	.ATTACHMENT	1			
3	6ES-48119-00	.COVER SET	1			
4	6ES-48354-00	.SET-PLATE, CABLE	1			
5	6ES-48237-00	.ADAPTOR SET	1			
6	6ES-482A0-10	JOYSTICK ASSY	2			ASK TO MARINE DIV
7	6ES-48156-00	.NUT 1	1			
8	6ES-615A0-00	HELM UNIT ASSY	2			ASK TO MARINE DIV
9	6ES-6154A-10	STEERING COLUMN COMP.	2			

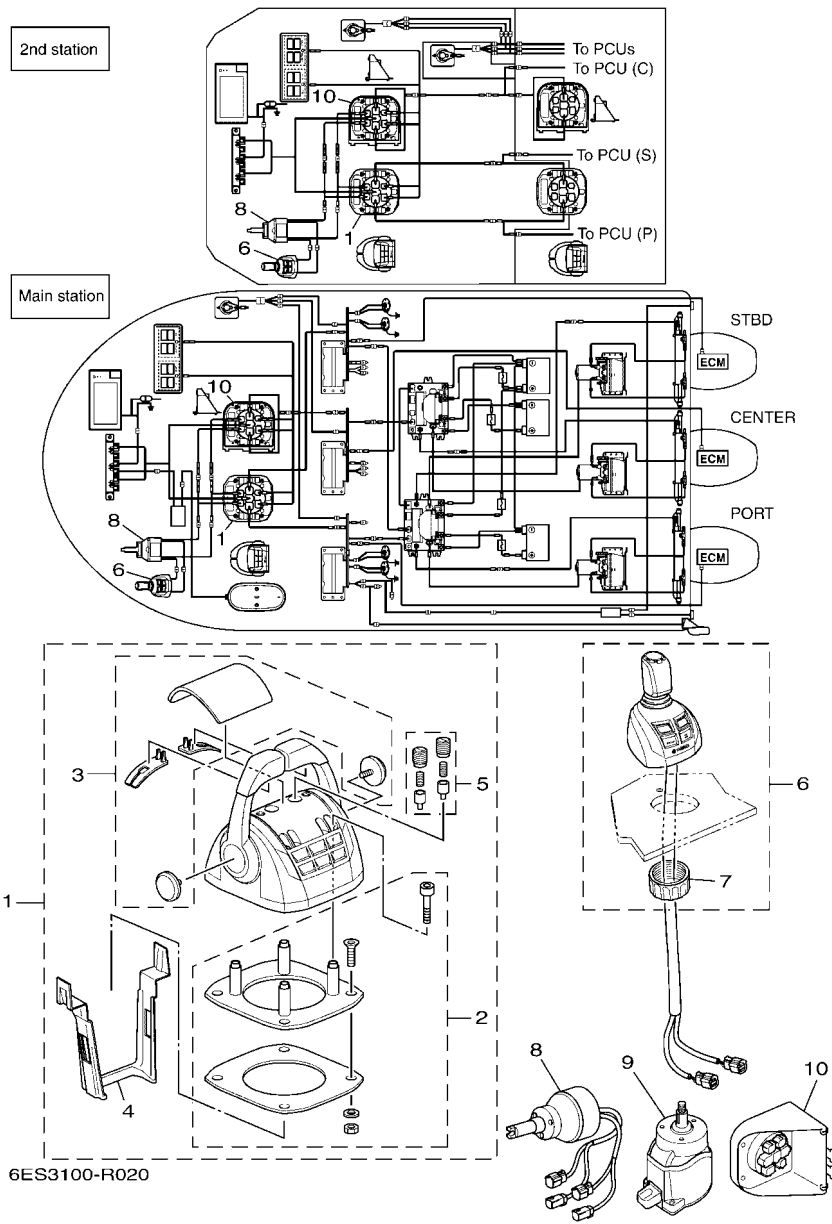
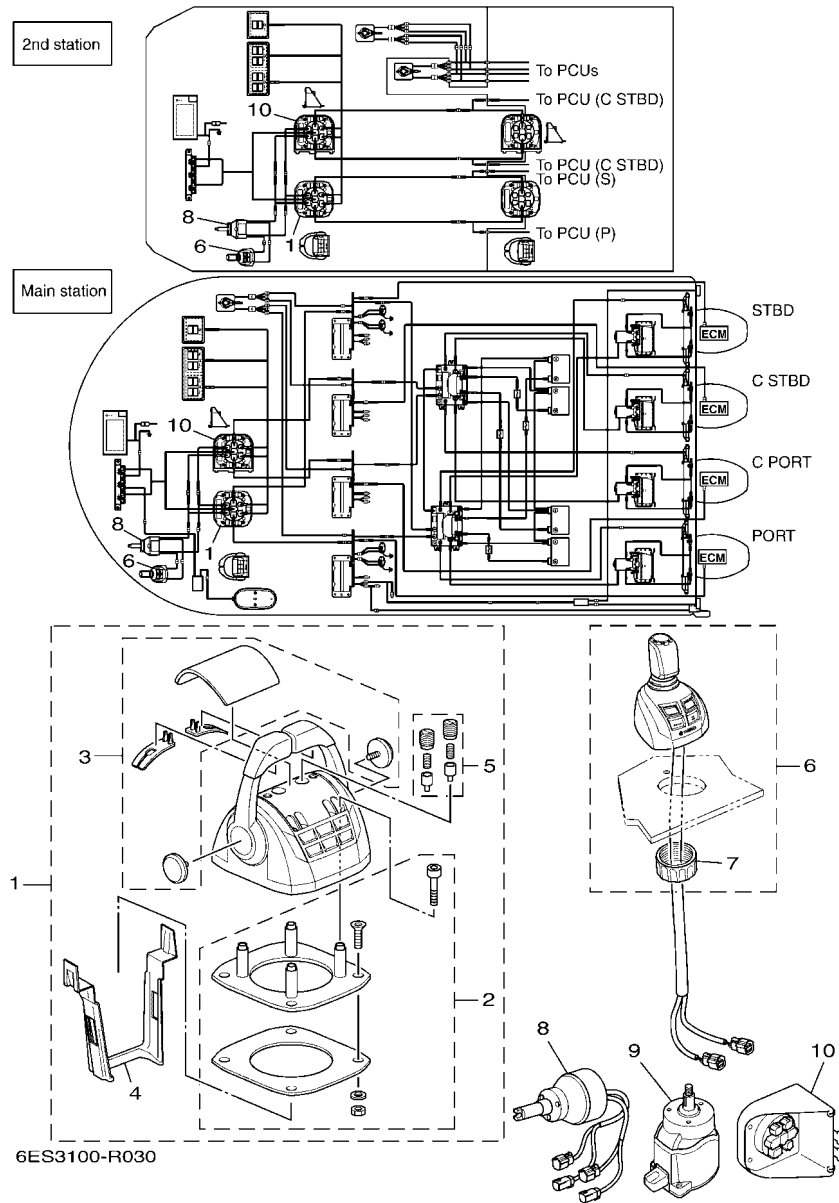


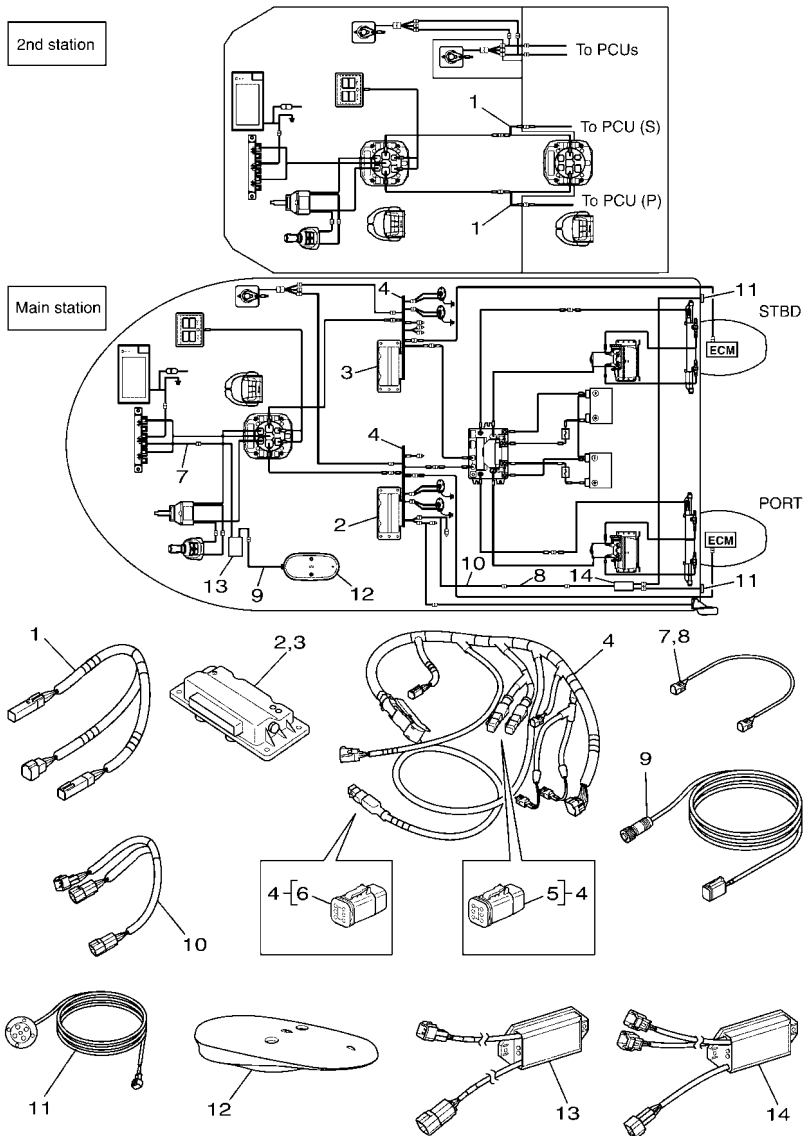
FIG. 2 REMOCON. & JOYSTICK (TRIPLE)

REF. NO.	PART NO.	DESCRIPTION	TWIN	TRIP	QUAD	REMARKS
1	6ES-48207-02	REMOTE CONTROL ASSY		2		ASK TO MARINE DIV
2	6ES-48291-00	.ATTACHMENT		1		
3	6ES-48119-00	.COVER SET		1		
4	6ES-48354-00	.SET-PLATE, CABLE		1		
5	6ES-48237-00	.ADAPTOR SET		1		
6	6ES-482A0-10	JOYSTICK ASSY		2		ASK TO MARINE DIV
7	6ES-48156-00	.NUT 1		1		
8	6ES-615A0-00	HELM UNIT ASSY		2		ASK TO MARINE DIV
9	6ES-6154A-10	STEERING COLUMN COMP.		2		
10	6ES-85590-02	CENTER HCU (HELM CONTR UNIT)		2		ASK TO MARINE DIV

**FIG. 3 REMOCON. & JOYSTICK (QUAD)**



REF. NO.	PART NO.	DESCRIPTION	TWIN	TRIP	QUAD	REMARKS
1	6ES-48207-02	REMOTE CONTROL ASSY			2	ASK TO MARINE DIV
2	6ES-48291-00	.ATTACHMENT			1	
3	6ES-48119-00	.COVER SET			1	
4	6ES-48354-00	.SET-PLATE, CABLE			1	
5	6ES-48237-00	.ADAPTOR SET			1	
6	6ES-482A0-10	JOYSTICK ASSY			2	ASK TO MARINE DIV
7	6ES-48156-00	.NUT 1			1	
8	6ES-615A0-00	HELM UNIT ASSY			2	ASK TO MARINE DIV
9	6ES-6154A-10	STEERING COLUMN COMP.			2	
10	6ES-85590-02	CENTER HCU (HELM CONTR UNIT)			2	ASK TO MARINE DIV



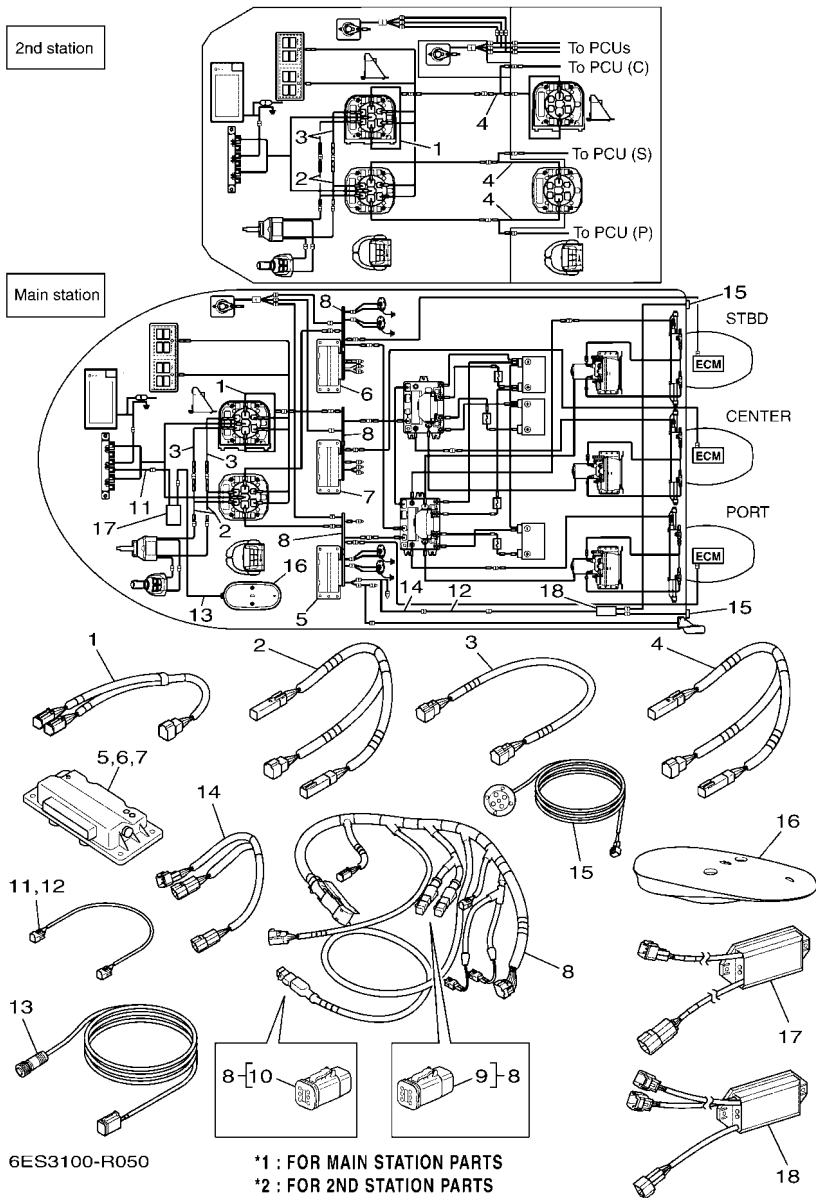
6ES3100-R040

\*1 : FOR MAIN STATION PARTS  
\*2 : FOR 2ND STATION PARTS

FIG. 4 HARNESS (TWIN)

REF. NO.	PART NO.	DESCRIPTION	TWIN	TRIP	QUAD	REMARKS
1	6ES-8258A-80	"T" HARNESS, 2ND STATION	2			*2
2	6ES-85590-10	PCU (TWIN/PORT)	1			*1 ASK TO MARINE DIV
3	6ES-85590-20	PCU (TWIN/STBD)	1			*1 ASK TO MARINE DIV
4	6ES-8258A-00	PCU HARNESS	2			*1 ASK TO MARINE DIV
5	6ES-82582-00	.CAP 1	2			
6	6ES-82585-00	.CAP 2	1			
7	6Y8-82521-11	2FT PIGTAIL BUS	1			*1
8	6Y8-82521-11	2FT PIGTAIL BUS	1			*1
9	6ES-82718-00	RESISTOR HARNESS	1			*1
10	6ES-82590-C0	PROP. LIGHT INTERFACE HARNESS	1			*1
11	6ES-83720-00	L.E.D ASS'Y	2			*1
12	6ES-88107-00	GPS ANTENNA	1			*1 ASK TO MARINE DIV
13	6ES-8A2D0-10	GPS GATEWAY	1			*1
14	6ES-8A2D0-00	PROP. LIGHT INTERFACE	1			*1

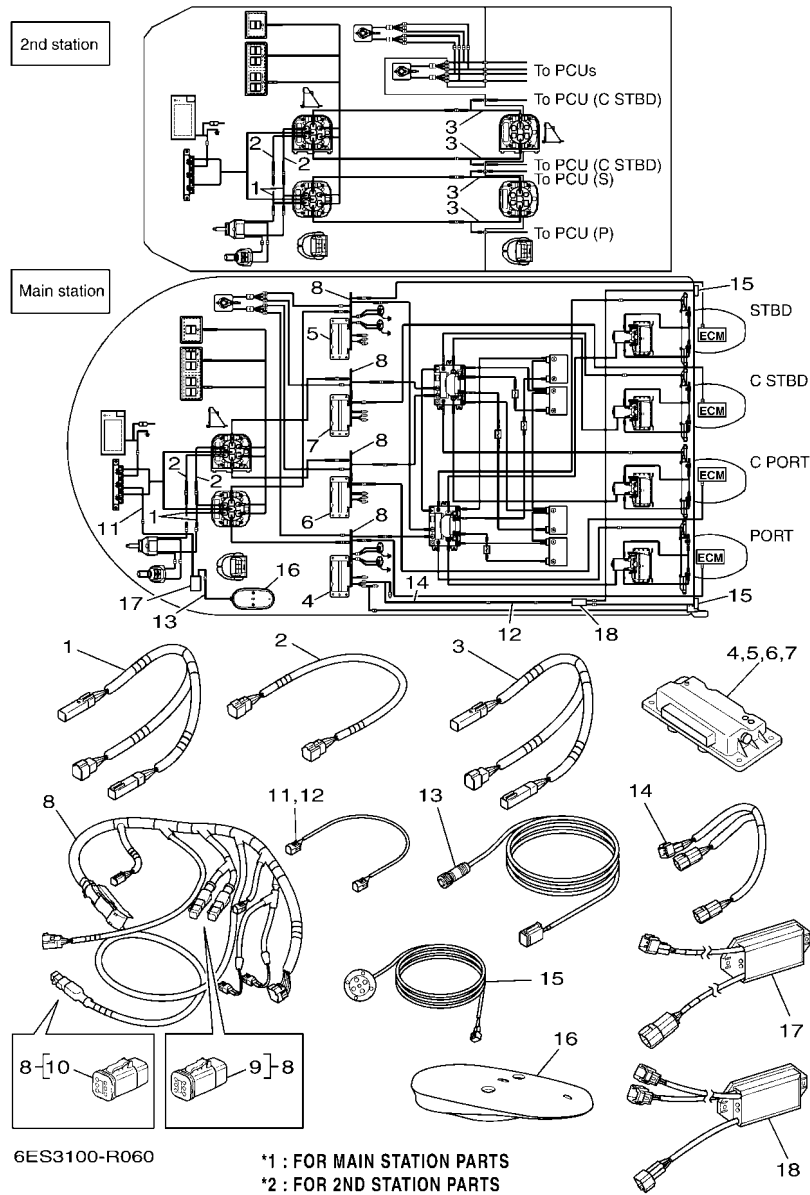




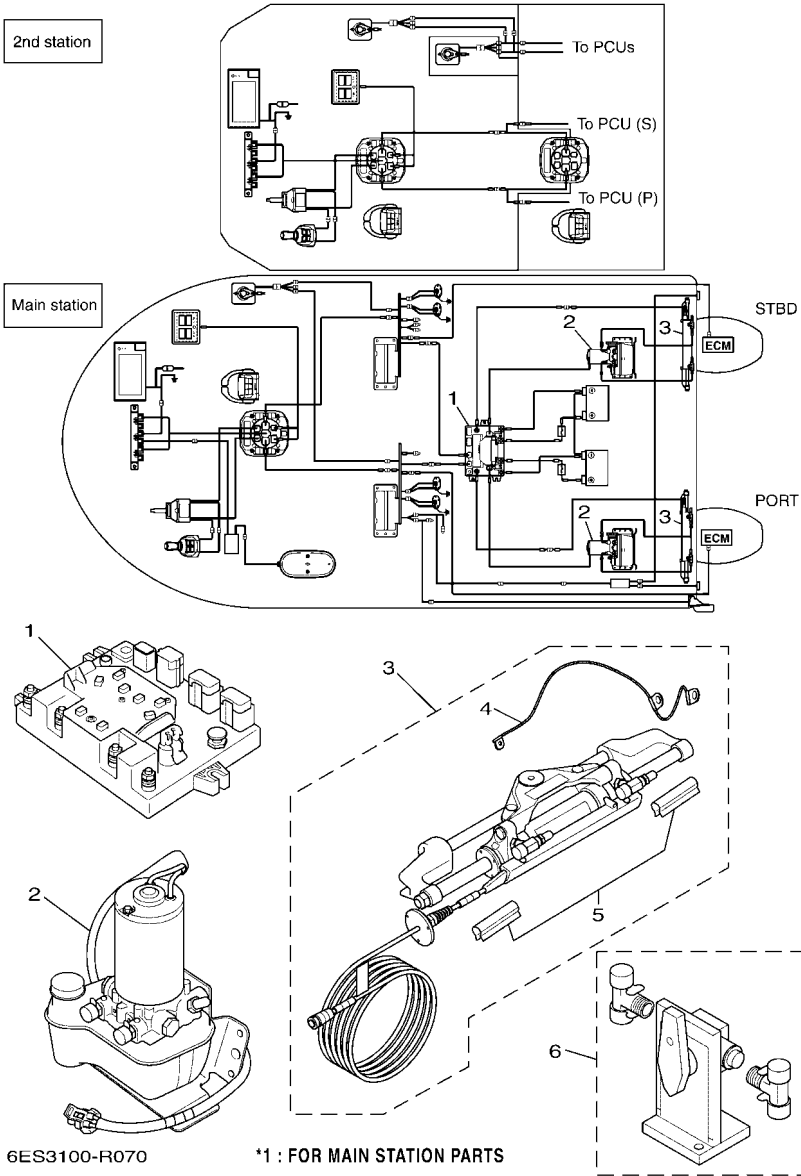
**FIG. 5 HARNESS (TRIPLE)**

REF. NO.	PART NO.	DESCRIPTION	TWIN	TRIP	QUAD	REMARKS
1	6ES-82590-20	CENTER HCU HARNESS		2		
2	6ES-82590-00	HELM "T" HARNESS (TRIPLE)		4		
3	6ES-82590-A0	HELM ADAPTER HARNESS (TRIPLE)		4		
4	6ES-8258A-80	"T" HARNESS, 2ND STATION		3		*2
5	6ES-85590-30	PCU (TRIPLE/PORT)		1		*1 ASK TO MARINE DIV
6	6ES-85590-40	PCU (TRIPLE/STBD)		1		*1 ASK TO MARINE DIV
7	6ES-85590-50	PCU (TRIPLE/CENTER)		1		*1 ASK TO MARINE DIV
8	6ES-8258A-00	PCU HARNESS		3		*1 ASK TO MARINE DIV
9	6ES-82582-00	.CAP 1		2		
10	6ES-82585-00	.CAP 2		1		
11	6Y8-82521-11	2FT PIGTAIL BUS		1		*1
12	6Y8-82521-11	2FT PIGTAIL BUS		1		*1
13	6ES-82718-00	RESISTOR HARNESS		1		*1
14	6ES-82590-C0	PROP. LIGHT INTERFACE HARNESS		1		*1
15	6ES-83720-00	L.E.D ASS'Y		2		*1
16	6ES-88107-00	GPS ANTENNA		1		*1 ASK TO MARINE DIV
17	6ES-8A2D0-10	GPS GATEWAY		1		*1
18	6ES-8A2D0-00	PROP. LIGHT INTERFACE		1		*1

**FIG. 6 HARNESS (QUAD)**



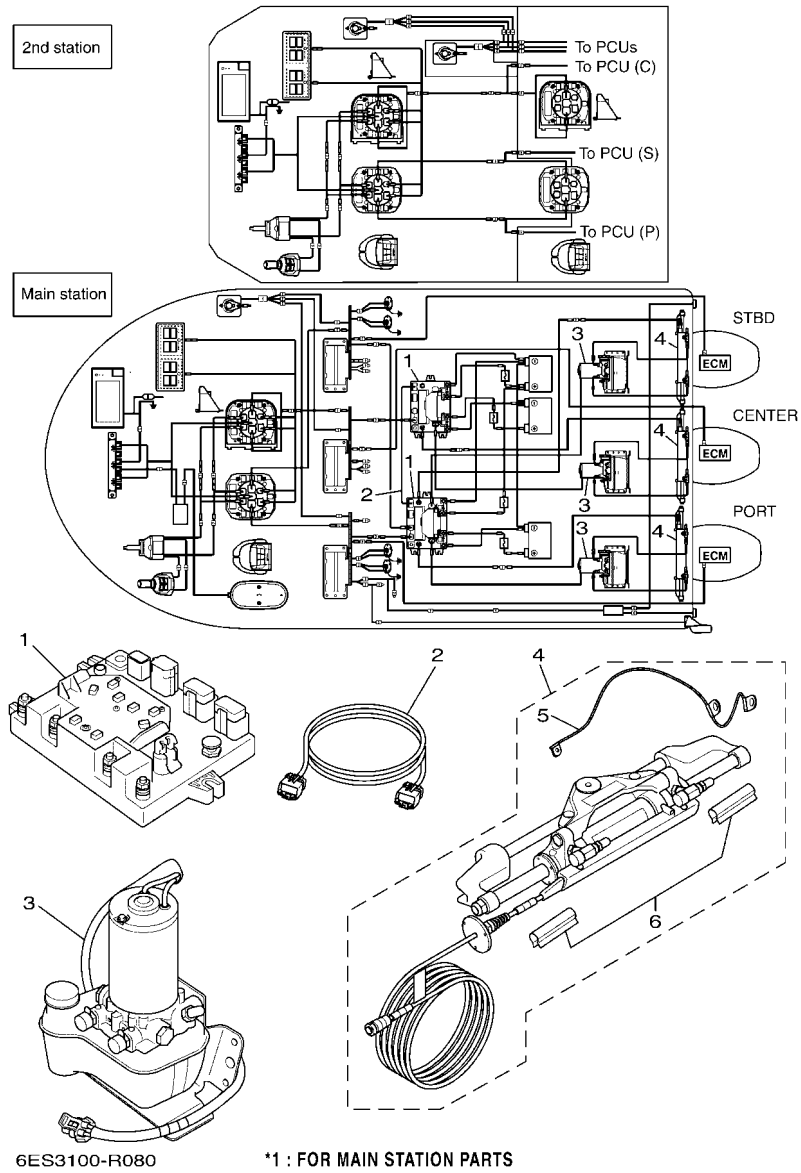
REF. NO.	PART NO.	DESCRIPTION	TWIN	TRIP	QUAD	REMARKS
1	6ES-82590-00	HELM "T" HARNESS (TRIPLE)			4	
2	6ES-82590-A0	HELM ADAPTER HARNESS (TRIPLE)			4	
3	6ES-8258A-80	"T" HARNESS, 2ND STATION			4	*2
4	6ES-85590-60	PCU (QUAD/PORT)			1	*1 ASK TO MARINE DIV
5	6ES-85590-70	PCU (QUAD/STBD)			1	*1 ASK TO MARINE DIV
6	6ES-85590-80	PCU (QUAD/PTC)			1	*1 ASK TO MARINE DIV
7	6ES-85590-90	PCU (QUAD/SBC)			1	*1 ASK TO MARINE DIV
8	6ES-8258A-00	PCU HARNESS			4	*1 ASK TO MARINE DIV
9	6ES-82582-00	.CAP 1			2	
10	6ES-82585-00	.CAP 2			1	
11	6Y8-82521-11	2FT PIGTAIL BUS			1	*1
12	6Y8-82521-11	2FT PIGTAIL BUS			1	*1
13	6ES-82718-00	RESISTOR HARNESS			1	*1
14	6ES-82590-C0	PROP. LIGHT INTERFACE HARNESS			1	*1
15	6ES-83720-00	L.E.D ASS'Y			2	*1
16	6ES-88107-00	GPS ANTENNA			1	*1 ASK TO MARINE DIV
17	6ES-8A2D0-10	GPS GATEWAY			1	*1
18	6ES-8A2D0-00	PROP. LIGHT INTERFACE			1	*1



**FIG. 7 STEERING KIT (TWIN)**

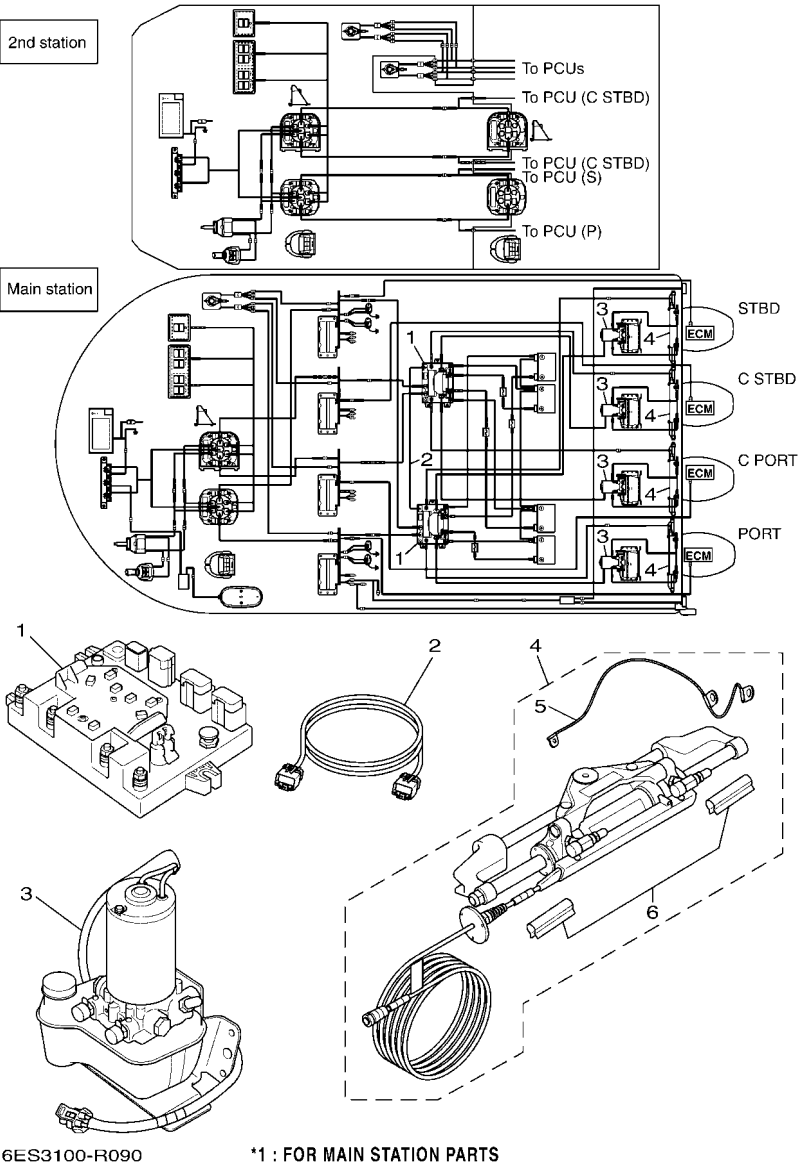
REF. NO.	PART NO.	DESCRIPTION	TWIN	TRIP	QUAD	REMARKS
1	6ES-859A0-01	SCU (STEERRING CONTROL UNIT)	1			*1 ASK TO MARINE DIV
2	6ES-7611A-02	STEERING PUMP ASSY.	2			*1 ASK TO MARINE DIV
3	6ES-42401-03	STEERING CYLINDER ASSY	2			*1 ASK TO MARINE DIV
4	6ES-8131Y-10	.WIRE, EARTH LEAD	1			
5	6ES-23326-00	.STEERING LOCK CLIP	1			ASK TO MARINE DIV
6	6ES-13340-00	STEERING BY-PASS VALVE ASSY	2			AP ASK TO MARINE DIV

**FIG. 8 STEERING KIT (TRIPLE)**



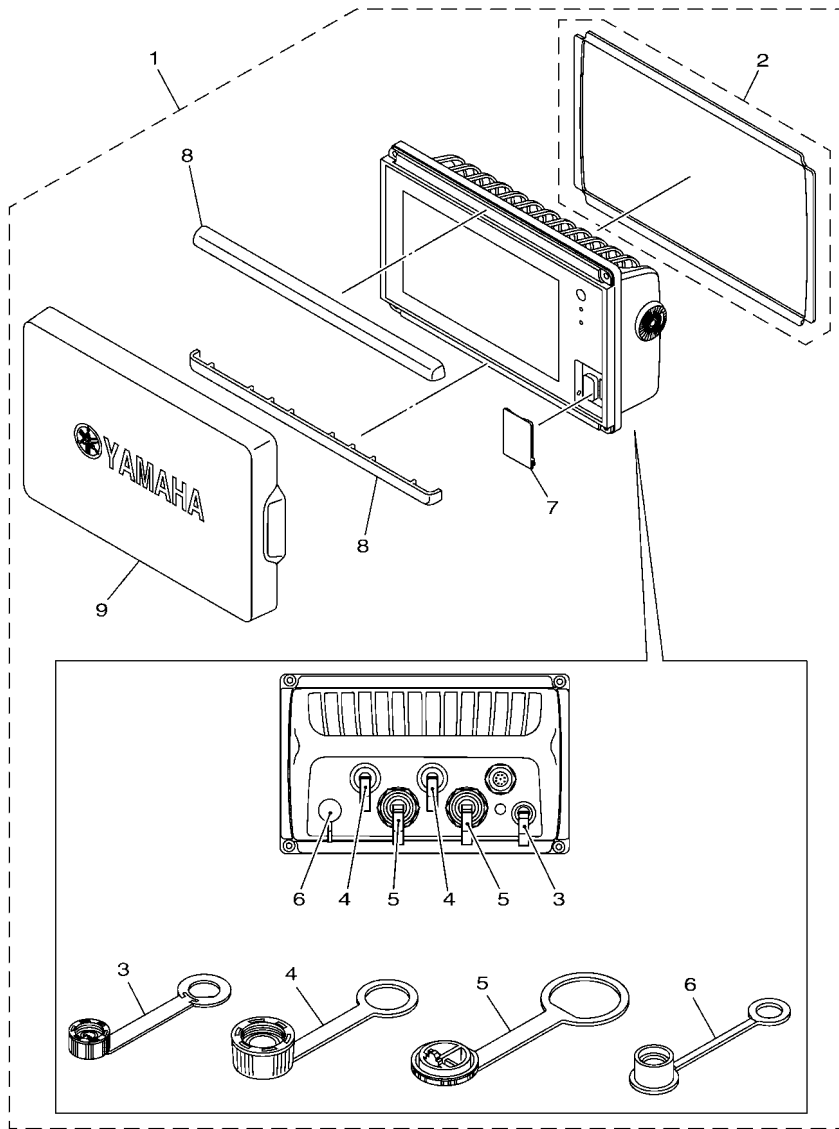
REF. NO.	PART NO.	DESCRIPTION	TWIN	TRIP	QUAD	REMARKS
1	6ES-859A0-01	SCU (STEERRING CONTROL UNIT)		2		*1 ASK TO MARINE DIV
2	6ES-81115-10	SCU LINK CABLE		1		*1
3	6ES-7611A-02	STEERING PUMP ASSY.		3		*1 ASK TO MARINE DIV
4	6ES-42401-03	STEERING CYLINDER ASSY		3		*1 ASK TO MARINE DIV
5	6ES-8131Y-10	.WIRE, EARTH LEAD		1		
6	6ES-23326-00	.STEERING LOCK CLIP		1		ASK TO MARINE DIV

**FIG. 9 STEERING KIT (QUAD)**



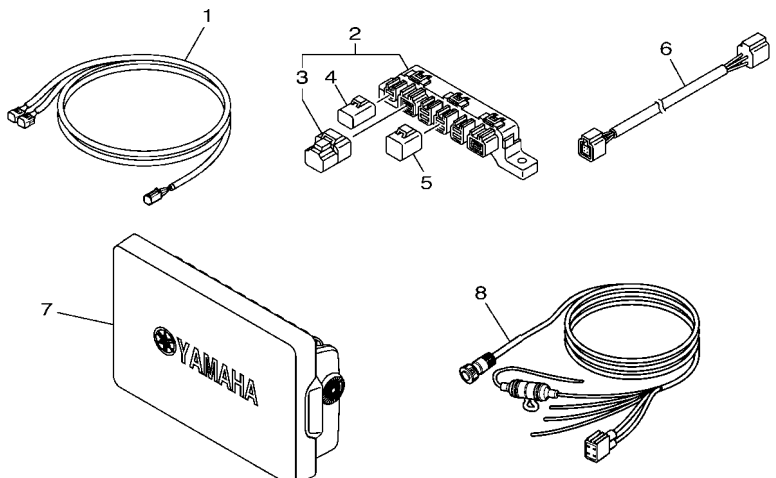
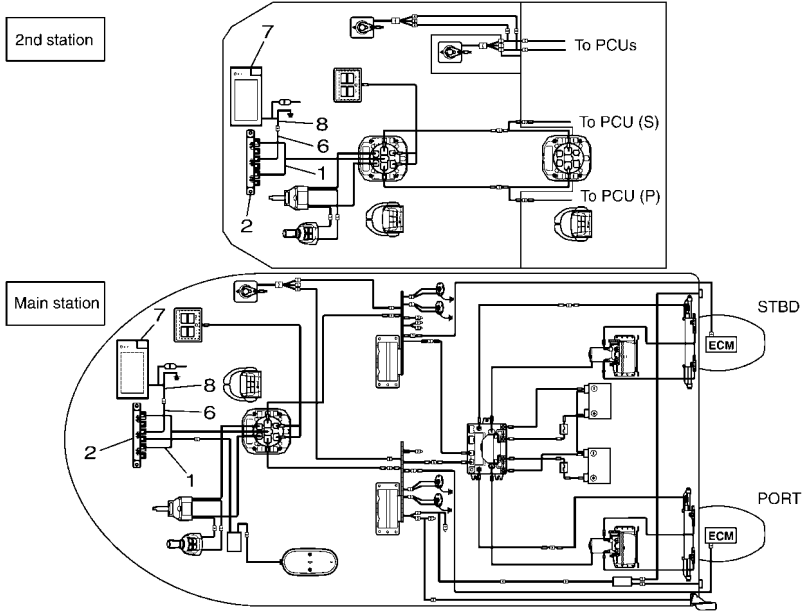
REF. NO.	PART NO.	DESCRIPTION	TWIN	TRIP	QUAD	REMARKS
1	6ES-859A0-01	SCU (STEERRING CONTROL UNIT)			2	*1 ASK TO MARINE DIV
2	6ES-81115-10	SCU LINK CABLE			1	*1
3	6ES-7611A-02	STEERING PUMP ASSY.			4	*1 ASK TO MARINE DIV
4	6ES-42401-03	STEERING CYLINDER ASSY			4	*1 ASK TO MARINE DIV
5	6ES-8131Y-10	.WIRE, EARTH LEAD			1	
6	6ES-23326-00	.STEERING LOCK CLIP			1	ASK TO MARINE DIV
<hr/>						
<hr/>						
<hr/>						
<hr/>						
<hr/>						
<hr/>						
<hr/>						
<hr/>						
<hr/>						
<hr/>						
<hr/>						
<hr/>						
<hr/>						
<hr/>						
<hr/>						
<hr/>						
<hr/>						
<hr/>						
<hr/>						
<hr/>						
<hr/>						
<hr/>						

FIG. 10 MULTI DISPLAY



6ES3100-R100

REF. NO.	PART NO.	DESCRIPTION	TWIN	TRIP	QUAD	REMARKS
1	6YD-83710-00	CL7 DISPLAY	1	1	1	
2	6YD-22480-00	.SEAL ASSY	1	1	1	
3	6YD-83956-00	.CAP 1	1	1	1	
4	6YD-83957-00	.CAP 2	2	2	2	
5	6YD-83958-00	.CAP 3	2	2	2	
6	6YD-82532-00	.CAP	1	1	1	
7	6YD-65722-00	.DOOR	1	1	1	
8	6YD-83512-00	.RING, SPEED METER	2	2	2	
9	6YD-87278-00	.COVER, METER	1	1	1	

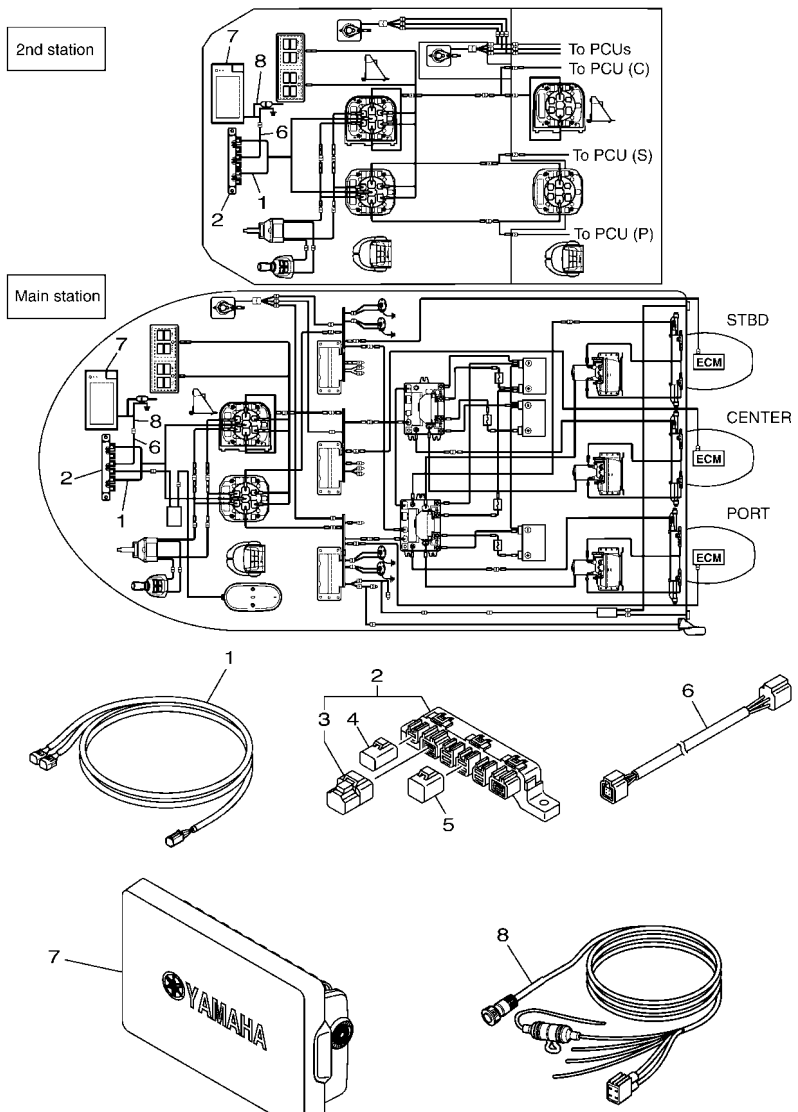


6ES3100-R110

\*1 : FOR MAIN STATION PARTS  
\*2 : FOR 2ND STATION PARTS

FIG. 11 MULTI DISPLAY (TWIN)

REF. NO.	PART NO.	DESCRIPTION	TWIN	TRIP	QUAD	REMARKS
1	6ES-83553-60	REMOTE CTR-HUB HARNESS, TWIN	2			ASK TO MARINE DIV
2	6Y8-81920-01	MULTI HUB ASSY	2			
3	6Y8-85371-01	.END OF LINE RESISTER	1			
4	6Y8-82582-01	CAP 1 (2PIN)	2			
5	6Y8-82582-11	CAP 1 (4PIN)	1			*1
	6Y8-82582-11	CAP 1 (4PIN)	2			*2
6	6Y8-82521-11	2FT PIGTAIL BUS	2			
7	6YD-83710-00	CL7 DISPLAY	2			REFER TO FIG.10
8	6YD-83553-00	WIRE, LEAD	2			



6ES3100-R120

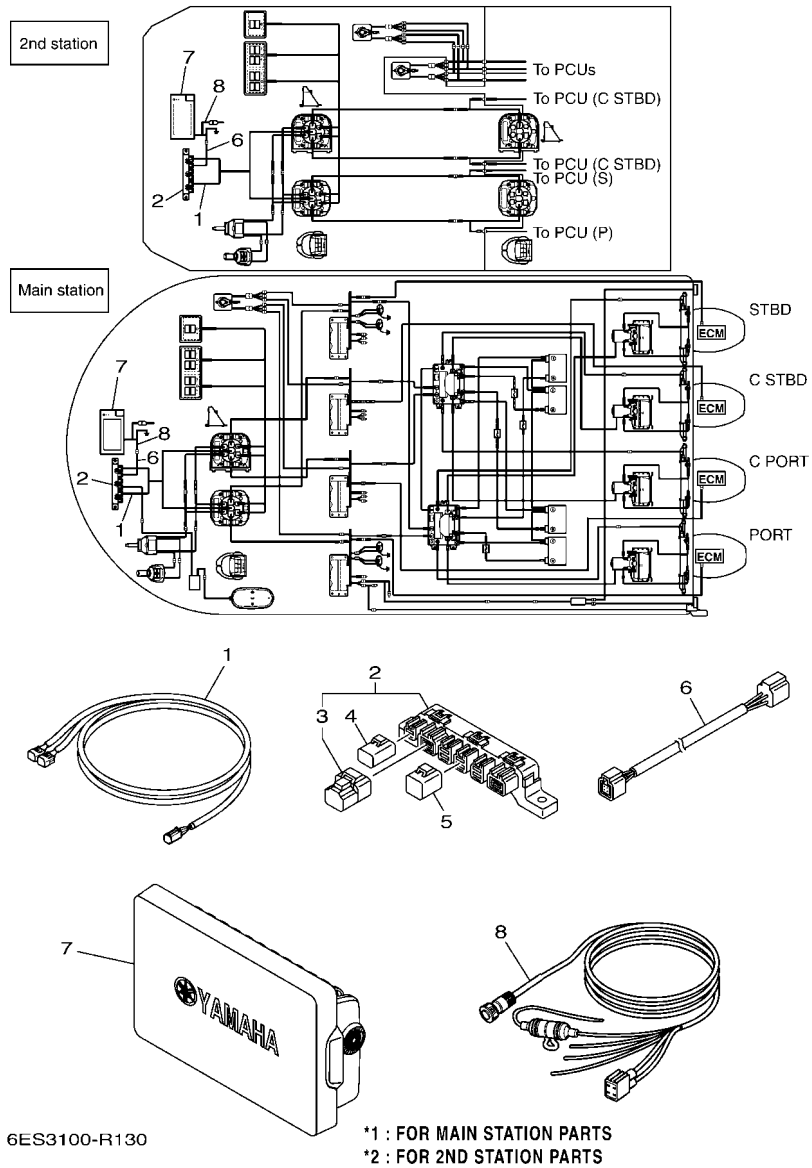
\*1 : FOR MAIN STATION PARTS  
\*2 : FOR 2ND STATION PARTS

FIG. 12 MULTI DISPLAY (TRIPLE)

REF. NO.	PART NO.	DESCRIPTION	TWIN	TRIP	QUAD	REMARKS
1	6ES-83553-71	REMOTE CTR-HUB HARNESS, 3&4		2		
2	6Y8-81920-01	MULTI HUB ASSY		2		
3	6Y8-85371-01	.END OF LINE RESISTER		1		
4	6Y8-82582-01	CAP 1 (2PIN)		2		
5	6Y8-82582-11	CAP 1 (4PIN)		1		*1
	6Y8-82582-11	CAP 1 (4PIN)		2		*2
6	6Y8-82521-11	2FT PIGTAIL BUS		2		
7	6YD-83710-00	CL7 DISPLAY		2		REFER TO FIG.10
8	6YD-83553-00	WIRE, LEAD		2		

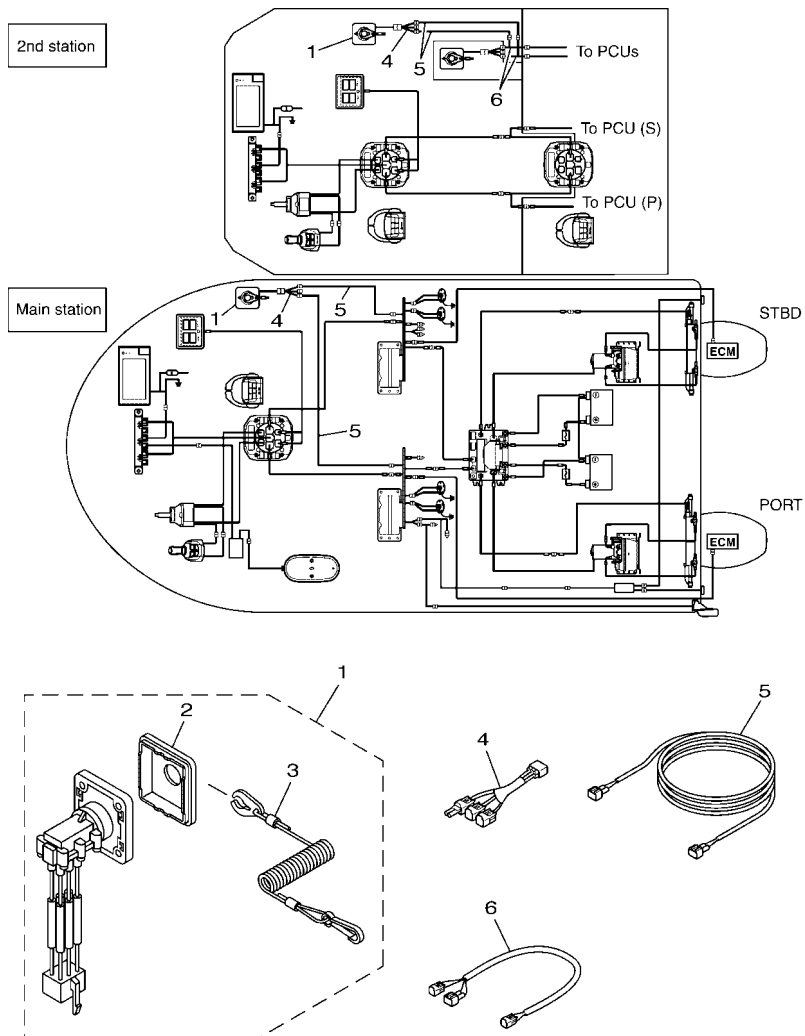


**FIG. 13 MULTI DISPLAY (QUAD)**



REF. NO.	PART NO.	DESCRIPTION	TWIN	TRIP	QUAD	REMARKS
1	6ES-83553-71	REMOTE CTR-HUB HARNESS, 3&4			2	
2	6Y8-81920-01	MULTI HUB ASSY			2	
3	6Y8-85371-01	.END OF LINE RESISTER			1	
4	6Y8-82582-01	CAP 1 (2PIN)			2	
5	6Y8-82582-11	CAP 1 (4PIN)			1	*1
	6Y8-82582-11	CAP 1 (4PIN)			2	*2
6	6Y8-82521-11	2FT PIGTAIL BUS			2	
7	6YD-83710-00	CL7 DISPLAY			2	REFER TO FIG.10
8	6YD-83553-00	WIRE, LEAD			2	

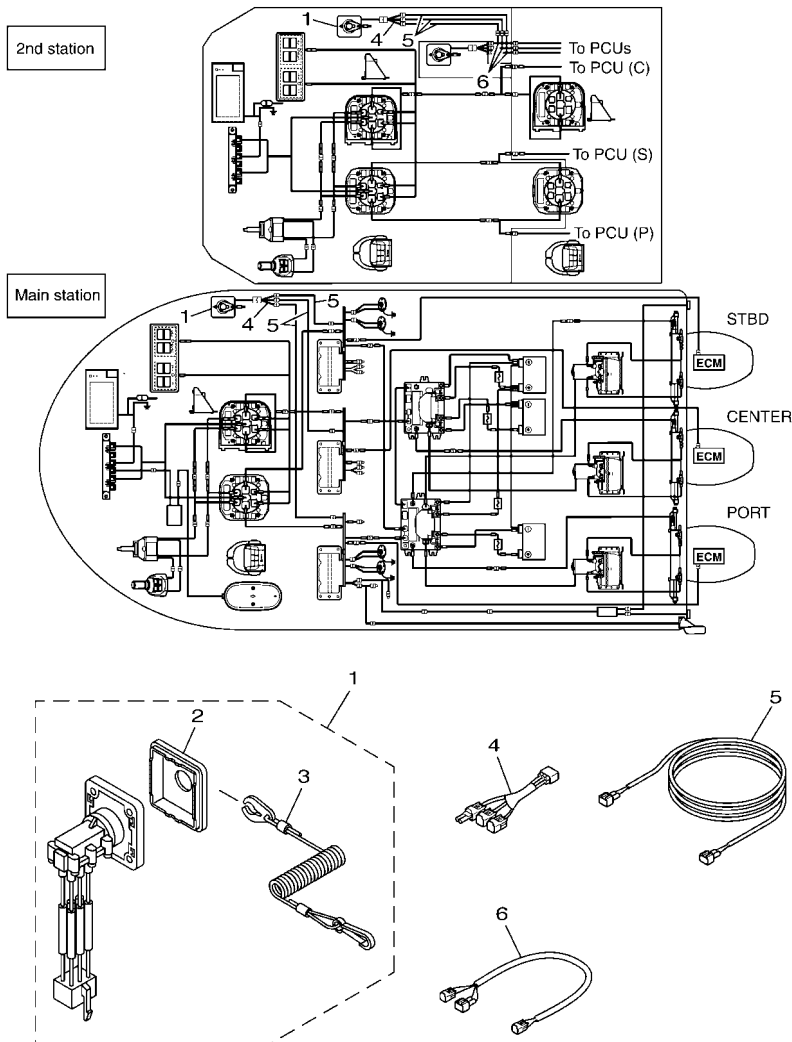
**FIG. 14 PANEL SWITCH (TWIN)**



6ES3100-R140

\*1 : FOR 2ND STATION PARTS

REF. NO.	PART NO.	DESCRIPTION	TWIN	TRIP	QUAD	REMARKS
1	6X6-82570-90	PANEL SWITCH ASSY	2			
2	6X6-82571-50	.PANEL, SWITCH	1			
3	682-82556-00	.LANYARD, STOP SWITCH	1			
4	6ES-8258A-31	LANYARD HARNESS 6P	2			ASK TO MARINE DIV
5	6ES-8258A-20	LANYARD HARNESS 2P	4			ASK TO MARINE DIV
6	6ES-8258A-70	LANYARD HARNESS, 2ND STATION	2			*1



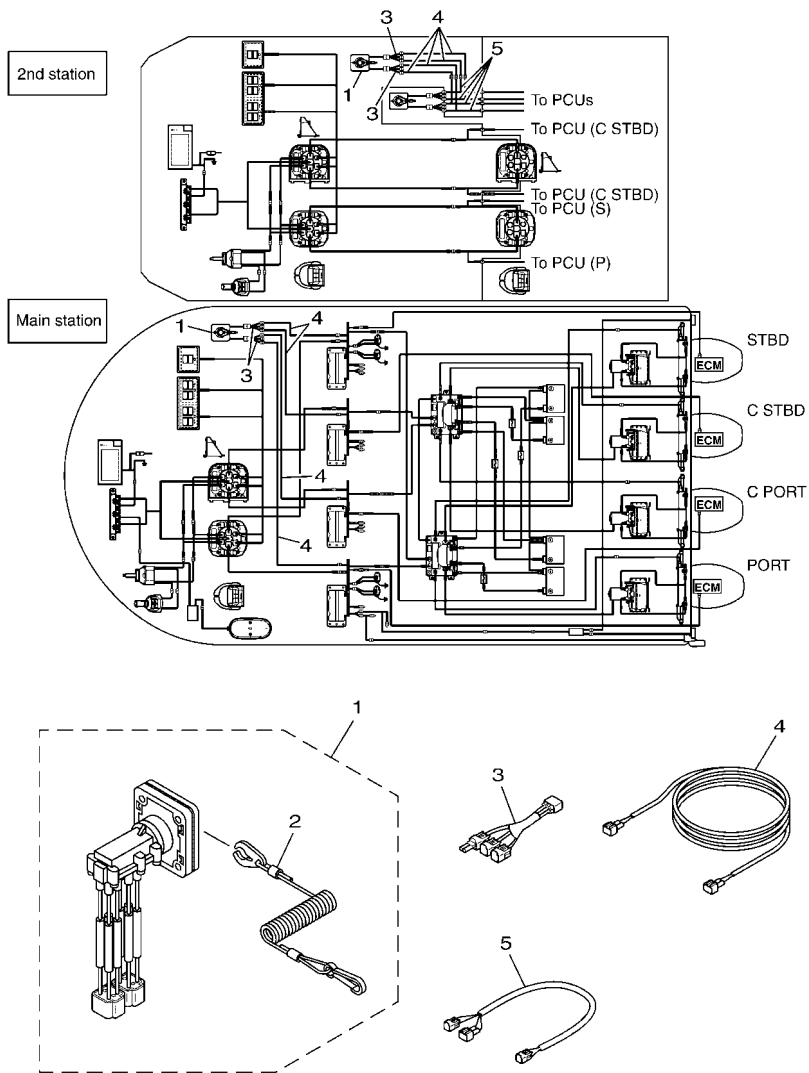
6ES3100-R150

\*1 : FOR 2ND STATION PARTS

FIG. 15 PANEL SWITCH (TRIPLE)

REF. NO.	PART NO.	DESCRIPTION	TWIN	TRIP	QUAD	REMARKS
1	6X6-82570-90	PANEL SWITCH ASSY		2		
2	6X6-82571-50	.PANEL, SWITCH		1		
3	682-82556-00	.LANYARD, STOP SWITCH		1		
4	6ES-8258A-31	LANYARD HARNESS 6P		2		ASK TO MARINE DIV
5	6ES-8258A-20	LANYARD HARNESS 2P		6		ASK TO MARINE DIV
6	6ES-8258A-70	LANYARD HARNESS, 2ND STATION		3		*1

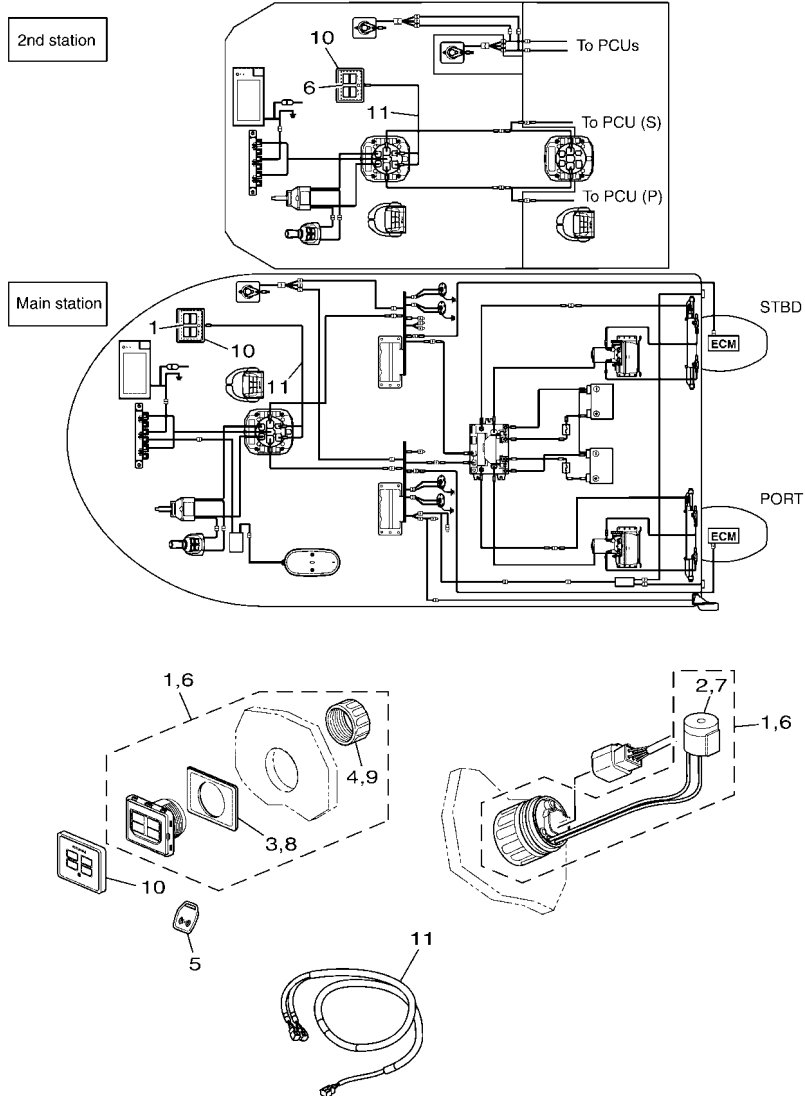
**FIG. 16 PANEL SWITCH (QUAD)**



6ES3100-R160

\*1 : FOR 2ND STATION PARTS

REF. NO.	PART NO.	DESCRIPTION	TWIN	TRIP	QUAD	REMARKS
1	6ES-82570-00	ENGINE STOP SWITCH ASSY (QUAD)			2	
2	682-82556-00	.LANYARD, STOP SWITCH			1	
3	6ES-8258A-31	LANYARD HARNESS 6P			4	ASK TO MARINE DIV
4	6ES-8258A-20	LANYARD HARNESS 2P			8	ASK TO MARINE DIV
5	6ES-8258A-70	LANYARD HARNESS, 2ND STATION			4	*1



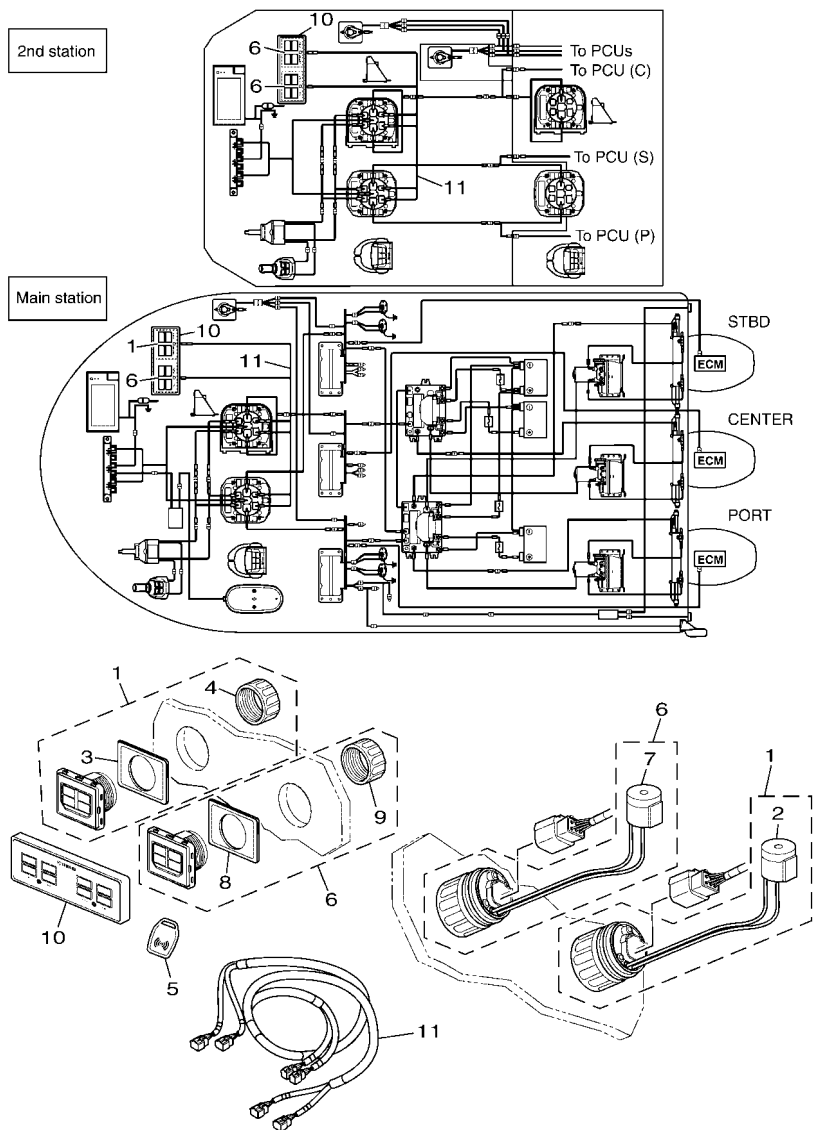
6ES3100-R170

\*1 : FOR MAIN STATION PARTS  
 \*2 : FOR 2ND STATION PARTS

FIG. 17 EKS ASSY (TWIN)

REF. NO.	PART NO.	DESCRIPTION	TWIN	TRIP	QUAD	REMARKS
1	6ES-82510-12	EKS ASSY, WITHOUT EK FOB	1			*1 ASK TO MARINE DIV
2	6ES-83383-00	.BUZZER	1			
3	6ES-82543-00	.GASKET	1			
4	6ES-48156-00	.NUT 1	1			
5	6ES-82511-00	KEY, MAIN SWITCH	2			*1 ASK TO MARINE DIV
6	6ES-82510-12	EKS ASSY, WITHOUT EK FOB	1			*2 ASK TO MARINE DIV
7	6ES-83383-00	.BUZZER	1			
8	6ES-82543-00	.GASKET	1			
9	6ES-48156-00	.NUT 1	1			
10	6ES-82568-00	EKS COVER (TWIN)	2			
11	6ES-8258A-40	EKS HARNESS (TWIN)	2			

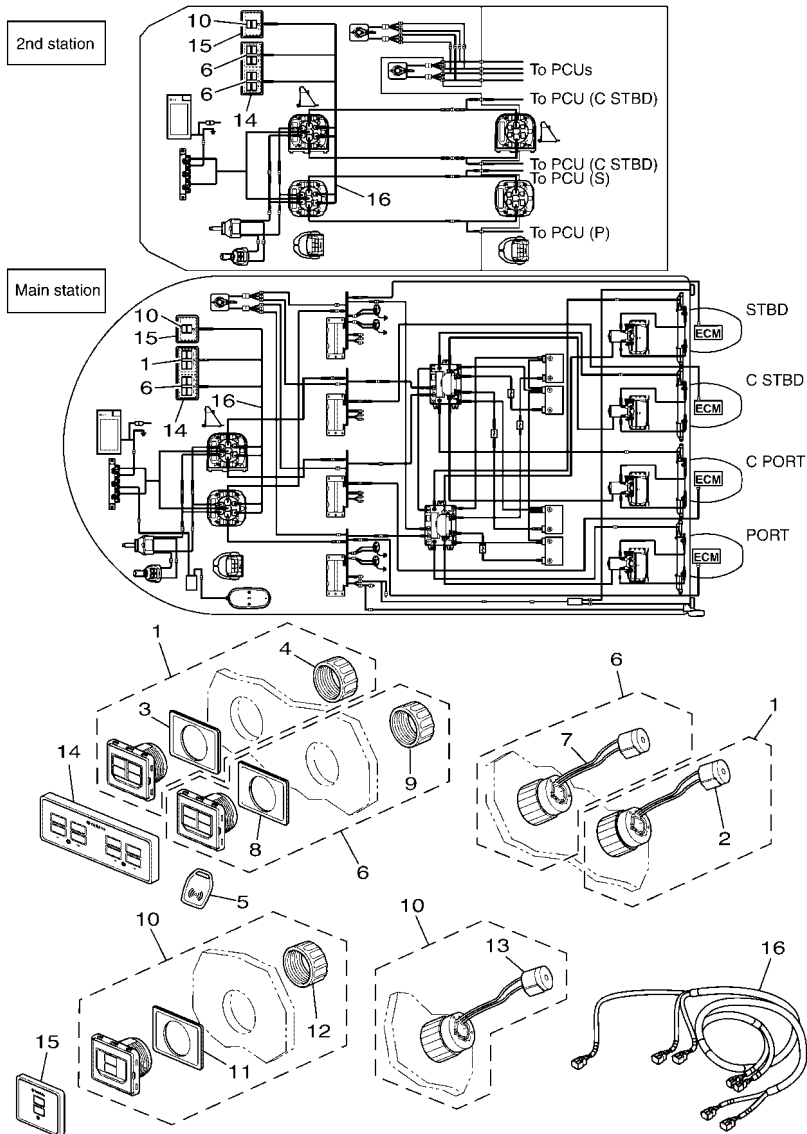
FIG. 18 EKS ASSY (TRIPLE)



6ES3100-R180

\*1 : FOR MAIN STATION PARTS  
\*2 : FOR 2ND STATION PARTS

REF. NO.	PART NO.	DESCRIPTION	TWIN	TRIP	QUAD	REMARKS
1	6ES-82510-12	EKS ASSY, WITHOUT EK FOB		1		*1 ASK TO MARINE DIV
2	6ES-83383-00	.BUZZER		1		
3	6ES-82543-00	.GASKET		1		
4	6ES-48156-00	.NUT 1		1		
5	6ES-82511-00	KEY, MAIN SWITCH		2		*1 ASK TO MARINE DIV
6	6ES-82510-12	EKS ASSY, WITHOUT EK FOB		1		*1 ASK TO MARINE DIV
6	6ES-82510-12	EKS ASSY, WITHOUT EK FOB		2		*2 ASK TO MARINE DIV
7	6ES-83383-00	.BUZZER		1		
8	6ES-82543-00	.GASKET		1		
9	6ES-48156-00	.NUT 1		1		
10	6ES-82568-10	EKS COVER (TRIPLE)		2		
11	6ES-8258A-51	EXTENSION, WIRE HARNESS		2		

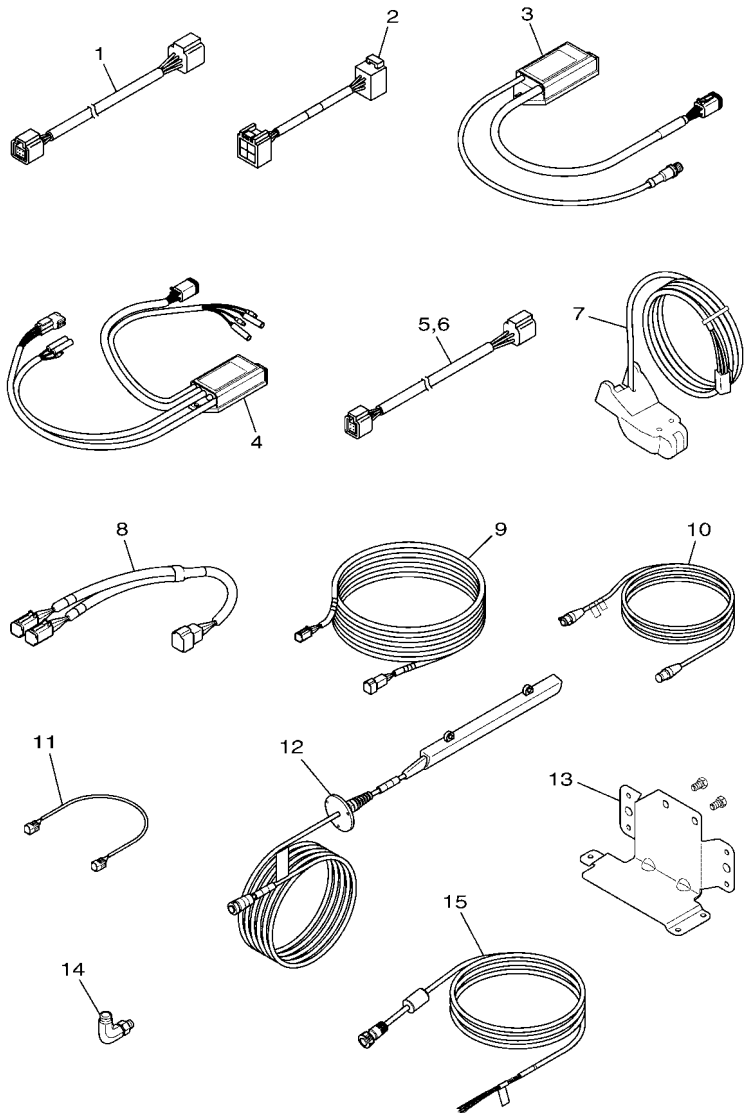


6ES3100-R190

\*1 : FOR MAIN STATION PARTS  
 \*2 : FOR 2ND STATION PARTS

FIG. 19 EKS ASSY (QUAD)

REF. NO.	PART NO.	DESCRIPTION	TWIN	TRIP	QUAD	REMARKS
1	6ES-82510-12	EKS ASSY, WITHOUT EK FOB			1	*1 ASK TO MARINE DIV
2	6ES-83383-00	.BUZZER			1	
3	6ES-82543-00	.GASKET			1	
4	6ES-48156-00	.NUT 1			1	
5	6ES-82511-00	KEY, MAIN SWITCH			2	*1 ASK TO MARINE DIV
6	6ES-82510-12	EKS ASSY, WITHOUT EK FOB			1	*1 ASK TO MARINE DIV
6	6ES-82510-12	EKS ASSY, WITHOUT EK FOB			2	*2 ASK TO MARINE DIV
7	6ES-83383-00	.BUZZER			1	
8	6ES-82543-00	.GASKET			1	
9	6ES-48156-00	.NUT 1			1	
10	6ES-82510-22	MAIN SWITCH ASSY			2	ASK TO MARINE DIV
11	6ES-82543-00	.GASKET			1	
12	6ES-48156-00	.NUT 1			1	
13	6ES-83383-00	.BUZZER			1	
14	6ES-82568-20	EKS COVER (QUAD)			2	
15	6ES-82568-30	EKS COVER (QUAD ALL)			2	
16	6ES-8258A-60	EKS HARNESS (QUAD)			2	



6ES3100-R200

**FIG. 20 OPTIONAL PARTS**

REF. NO.	PART NO.	DESCRIPTION	TWIN	TRIP	QUAD	REMARKS
1	6Y8-82553-01	1FT MAIN BUS	1	1	1	
2	6Y9-83553-50	WIRE, LEAD	1	1	1	FOR INTERFACE UNIT
3	6Y9-8A2D0-40	INTERFACE UNIT	1	1	1	
4	6Y9-8A2D0-30	INTERFACE UNIT	1	1	1	ANALOGUE GAUGE
5	6Y8-82521-01	1FT PIGTAIL BUS	1	1	1	
6	6Y8-82521-21	3FT PIGTAIL BUS	1	1	1	UR
	6Y8-82521-31	6FT PIGTAIL BUS	1	1	1	UR
	6Y8-82521-41	9FT PIGTAIL BUS	1	1	1	UR
	6Y8-82521-51	12FT PIGTAIL BUS	1	1	1	UR
7	6Y9-83688-00	SENSOR ASSY	1	1	1	
8	6ES-82590-B0	WIRE HARNESS ASSY	1	1	1	
9	6ES-82590-10	36FT RC - PCU HARNESS	1	1	1	UR
	6ES-82590-30	10FT RC - PCU HARNESS	1	1	1	UR
	6ES-82590-50	23FT RC - PCU HARNESS	1	1	1	UR
	6ES-82590-70	5FT RC - PCU HARNESS	1	1	1	UR
10	6ES-8258A-90	EXT CABLE, STEERING SENSOR 6FT	1	1	1	UR
	6ES-8258A-A0	EXT CABLE, STEERING SENSOR 12F	1	1	1	UR
	6ES-8258A-B0	EXT CABLE, STEERING SENSOR 18F	1	1	1	UR
11	6ES-8258A-C0	EXTENSION , PCU HARNESS 3.5FT	1	1	1	
12	6ES-83688-00	STEERING SENSOR	1	1	1	
13	6ES-13302-00	PUMP BRACKET	1	1	1	
14	6ES-82133-00	PUMP L FITTING	1	1	1	
15	6YD-8356N-00	WIRE, LEAD	1	1	1	



NUMERICAL INDEX

PART NO.	REF. NO.	PART NO.	REF. NO.	PART NO.	REF. NO.	PART NO.	REF. NO.	PART NO.	REF. NO.	PART NO.	REF. NO.
6ES-13302-00	20 - 13	6ES-81115-10	9 - 2	6ES-82568-20	19 - 14	6ES-82590-30	20 - 9	6ES-85590-40	5 - 6		
6ES-13340-00	7 - 6	6ES-8131Y-10	7 - 4	6ES-82568-30	19 - 15	6ES-82590-50	20 - 9	6ES-85590-50	5 - 7		
6YD-22480-00	10 - 2		8 - 5	6ES-82568-30	16 - 1	6ES-82590-70	20 - 9	6ES-85590-60	6 - 4		
6ES-23326-00	7 - 5		9 - 5	6X6-82570-90	14 - 1	6ES-82590-A0	5 - 3	6ES-85590-70	6 - 5		
	8 - 6	6Y8-81920-01	11 - 2		15 - 1		6 - 2	6ES-85590-80	6 - 6		
	9 - 6		12 - 2	6X6-82571-50	14 - 2	6ES-82590-B0	20 - 8	6ES-85590-90	6 - 7		
6ES-42401-03	7 - 3		13 - 2		15 - 2	6ES-82590-C0	4 - 10	6ES-859A0-01	7 - 1		
	8 - 4	6ES-82133-00	20 - 14	6ES-82582-00	4 - 5		5 - 14		8 - 1		
	9 - 4	6ES-82510-12	17 - 1		5 - 9		6 - 14		9 - 1		
6ES-48119-00	1 - 3		17 - 6		6 - 9	6ES-82718-00	4 - 9	6YD-87278-00	10 - 9		
	2 - 3		18 - 1	6Y8-82582-01	11 - 4		5 - 13	6ES-88107-00	4 - 12		
	3 - 3		18 - 6		12 - 4		6 - 13		5 - 16		
6ES-48156-00	1 - 7		18 - 6		13 - 4	6ES-83383-00	17 - 2		6 - 16		
	2 - 7		19 - 1	6Y8-82582-11	11 - 5		17 - 7	6ES-8A2D0-00	4 - 14		
	3 - 7		19 - 6		11 - 5		18 - 2		5 - 18		
	17 - 4		19 - 6		12 - 5		18 - 7		6 - 18		
	17 - 9	6ES-82510-22	19 - 10		12 - 5		19 - 2	6ES-8A2D0-10	4 - 13		
	18 - 4	6ES-82511-00	17 - 5		13 - 5		19 - 7		5 - 17		
	18 - 9		18 - 5		13 - 5		19 - 13		6 - 17		
	19 - 4		19 - 5	6ES-82585-00	4 - 6	6YD-83512-00	10 - 8	6Y9-8A2D0-30	20 - 4		
	19 - 9	6Y8-82521-01	20 - 5		5 - 10	6YD-83553-00	11 - 8	6Y9-8A2D0-40	20 - 3		
	19 - 12	6Y8-82521-11	4 - 7		6 - 10		12 - 8				
6ES-48207-02	1 - 1		4 - 8	6ES-8258A-00	4 - 4		13 - 8				
	2 - 1		5 - 11		5 - 8	6Y9-83553-50	20 - 2				
	3 - 1		5 - 12		6 - 8	6ES-83553-60	11 - 1				
6ES-48237-00	1 - 5		6 - 11	6ES-8258A-20	14 - 5	6ES-83553-71	12 - 1				
	2 - 5		6 - 12		15 - 5		13 - 1				
	3 - 5		11 - 6		16 - 4	6YD-8356N-00	20 - 15				
6ES-48291-00	1 - 2		12 - 6	6ES-8258A-31	14 - 4	6ES-83688-00	20 - 12				
	2 - 2		13 - 6		15 - 4	6Y9-83688-00	20 - 7				
	3 - 2	6Y8-82521-21	20 - 6		16 - 3	6YD-83710-00	10 - 1				
6ES-482A0-10	1 - 6	6Y8-82521-31	20 - 6	6ES-8258A-40	17 - 11		11 - 7				
	2 - 6	6Y8-82521-41	20 - 6	6ES-8258A-51	18 - 11		12 - 7				
	3 - 6	6Y8-82521-51	20 - 6	6ES-8258A-60	19 - 16		13 - 7				
6ES-48354-00	1 - 4	6YD-82532-00	10 - 6	6ES-8258A-70	14 - 6	6ES-83720-00	4 - 11				
	2 - 4	6ES-82543-00	17 - 3		15 - 6		5 - 15				
	3 - 4		17 - 8		16 - 5		6 - 15				
6ES-6154A-10	1 - 9		18 - 3	6ES-8258A-80	4 - 1	6YD-83956-00	10 - 3				
	2 - 9		18 - 8		5 - 4	6YD-83957-00	10 - 4				
	3 - 9		19 - 3		6 - 3	6YD-83958-00	10 - 5				
6ES-615A0-00	1 - 8		19 - 8	6ES-8258A-90	20 - 10	6Y8-85371-01	11 - 3				
	2 - 8		19 - 11	6ES-8258A-A0	20 - 10		12 - 3				
	3 - 8	6Y8-82553-01	20 - 1	6ES-8258A-B0	20 - 10		13 - 3				
6YD-65722-00	10 - 7	682-82556-00	14 - 3	6ES-8258A-C0	20 - 11	6ES-85590-02	2 - 10				
6ES-7611A-02	7 - 2		15 - 3	6ES-82590-00	5 - 2		3 - 10				
	8 - 3		16 - 2		6 - 1	6ES-85590-10	4 - 2				
	9 - 3	6ES-82568-00	17 - 10	6ES-82590-10	20 - 9	6ES-85590-20	4 - 3				
6ES-81115-10	8 - 2	6ES-82568-10	18 - 10	6ES-82590-20	5 - 1	6ES-85590-30	5 - 5				