

CONTENTS

4AC(6E0)
4AS(6E1)
4A (6E2)

Fig. 1	CRANKCASE, CYLINDER & PISTON	A3
Fig. 2	INTAKE	A4
Fig. 3	STARTER	A5
Fig. 4	COWLING & FUEL	A6
Fig. 5	UPPER CASING & BRACKET	A7
Fig. 6	CONTROL	B1
Fig. 7	LOWER & DRIVE	B2
Fig. 8	C.D.I. MAGNETO	B3
Fig. 9	ELECTRIC PARTS	B4
Fig. 10	4A MODEL (WITHOUT CLUTCH TYPE)	B5
Fig. 11	COWLING (4AS MODEL)	B6
Fig. 12	FUEL (4AS MODEL)	B7
Fig. 13	OPTIONAL PARTS	C1
Fig. 14	REPAIR KIT	C2
	NUMERICAL INDEX	

FOREWORD

This Parts Catalogue is related to the parts in use for the Yamaha outboard motor 4A'87(6E0). When you are ordering replacement parts for the 4A'87(6E0), refer to this Parts Catalogue and quote both part numbers and part names correctly.

1. Modifications or additions which have been made after issue of the Parts Catalogue will be announced in the Yamaha Parts News.
It is advisable that according to the Yamaha Parts News you make necessary corrections to the Parts Catalogue on hand to keep it up-to-date.

2. Abbreviations

The following abbreviations are used in this Parts Catalogue.

- U.R. Use size (thickness) and/or number as required.
- U.N. Use as many as you need.
- A.P. Alternate Parts
- S.T.D. Standard
- O.S. Over Size

3. Parts, which are to be supplied in the form of assemblies, are listed with an indention of one letter's space, and a dot (.) is put against the name of each part.

EXAMPLE

- CARBURETOR ASS'Y
- . JET, pilot
- . NOZZLE, main

4. Indication of No. of constituent parts for assembly.

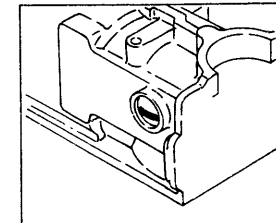
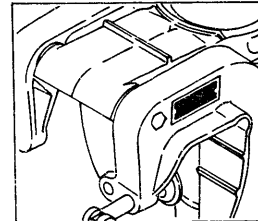
The numeral appearing to the right of each constituent part under the description indicates the quantity of such parts for each individual assembly unit.

EXAMPLE

Part No.	Description	Q'ty	Remarks
6E0-85500-70	C.D.I. MAGNETO ASS'Y	1	
6E0-85550-70	. ROTOR ASS'Y	1	
6E0-15723-00-94	.. PULLEY, starter	1	

5. Initial Serial No. and Color Code

Engine Serial No.	
	4AC S : 082732 and following
	L : 328957 and following
	4AS S : 222655 and following
	L : 509246 and following
	4A S : 005780 and following
	L : 301453 and following



Color Code	Color Name	Abbreviate
EJ	METALLIC MARINE BLUE	MMB

Fig. 1 CRANKCASE, CYLINDER & PISTON

Ref.No.	Parts No.	Description	Q'ty	Ref.No.	Parts No.	Description	Q'ty
1	6E0-W0090-02-EJ	CRANK CYLINDER ASS'Y (Ref. No. 2 to 45)	1	24	6E0-11412-00	. CRANK 1	1
2	6E0-15100-01-94	CRANKCASE ASS'Y 1	1	25	6E0-11422-00	. CRANK 2	1
3	650-11370-00	. CHECK VALVE ASS'Y	3	26	6E0-11651-01	. ROD, connecting	1
4	624-14485-00	. PIPE, joint	1	27	93310-418V1	. BEARING, con-rod big end	1
5	6E5-11372-00	. NIPPLE, hose 2	1	28	661-11681-00	. PIN, crank	1
6	90445-07M28	HOSE	2	29	90209-18112	. WASHER	2
7	90467-06016	CLIP	8	30	93306-20411	. BEARING (B6204)	2
8	93606-12019	PIN, dowel B	2	31	6E0-11631-00-9B	PISTON	1
9	90105-06M16	BOLT	4	32	661-11610-00	PISTON RING SET	1
10	90105-06M17	BOLT	2	33	93310-112V0	BEARING, con-rod small end	1
11	6E0-24378-00	PIPE, joint	1	34	6G1-11633-00	PIN, piston	1
12	90445-07M51	HOSE	1	35	93450-13022	CIRCLIP	2
13	90445-07M00	HOSE	1	36	6E0-11191-01-9M	COVER, cylinder head	1
14	90105-06M24	BOLT, washer based	1	37	6E0-11193-01	GASKET, head cover	1
15	90105-06M16	BOLT	1	38	90105-06M14	BOLT	4
16	90105-06M14	BOLT	1	39	90201-32M48	WASHER	1
17	6E5-12411-00	THERMOSTAT	1	40	93102-20M06	OIL SEAL	1
18	6E0-41111-01-9M	INNER COVER, exhaust	1	41	6E0-15396-01-9M	HOUSING, oil seal 2	1
19	6E0-41112-01	GASKET, exhaust inner cover	1	42	97395-06016	BOLT	1
20	6E0-41113-01-9M	OUTER COVER, exhaust	1	43	92990-06600	WASHER	1
21	6E0-41114-01	GASKET, exhaust outer cover	1	44	93101-11M25	OIL SEAL	1
22	90105-06M24	BOLT, washer based	6	45	93210-31114	O-RING	1
23	6E0-11400-00	CRANK ASS'Y	1	46	94702-00272	PLUG, spark (BR7HS) NGK	1

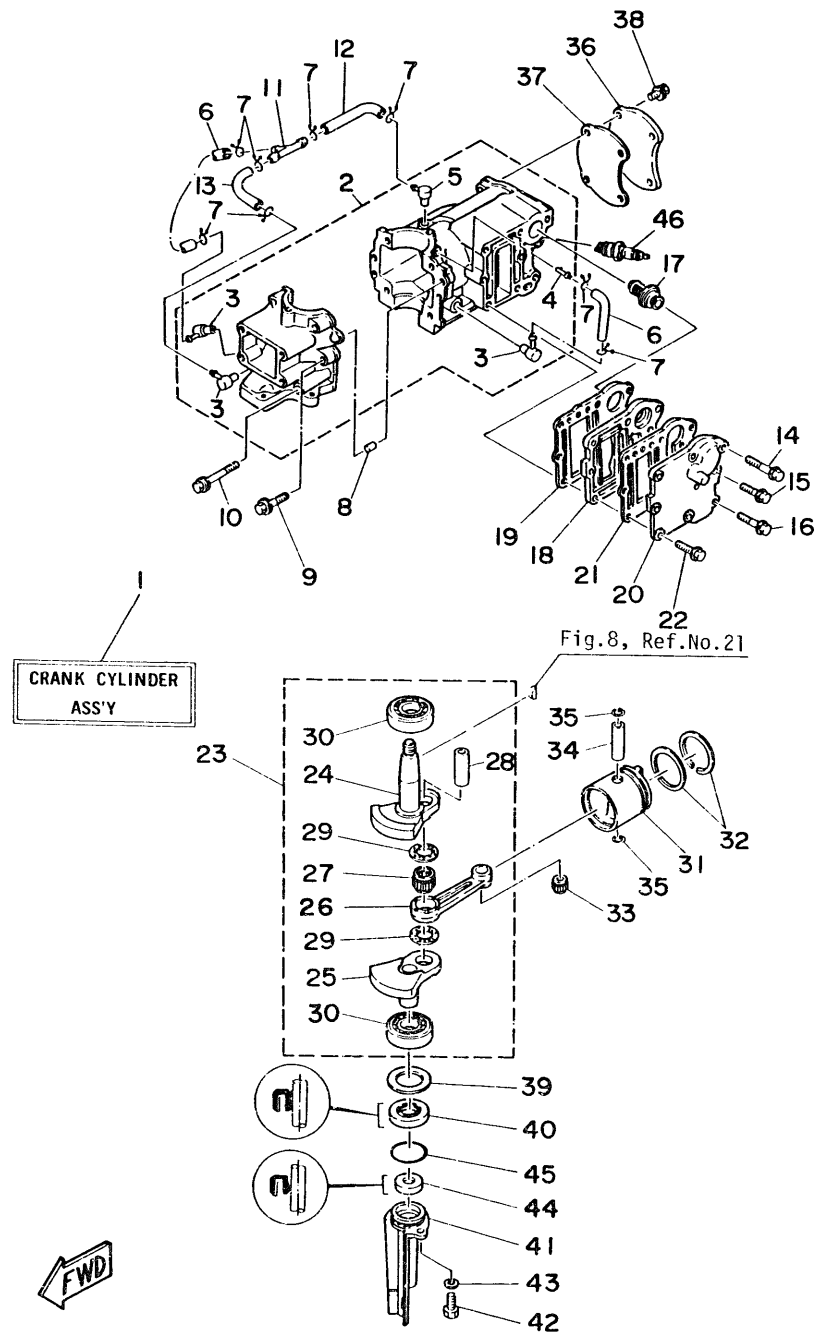


Fig.8, Ref.No.21

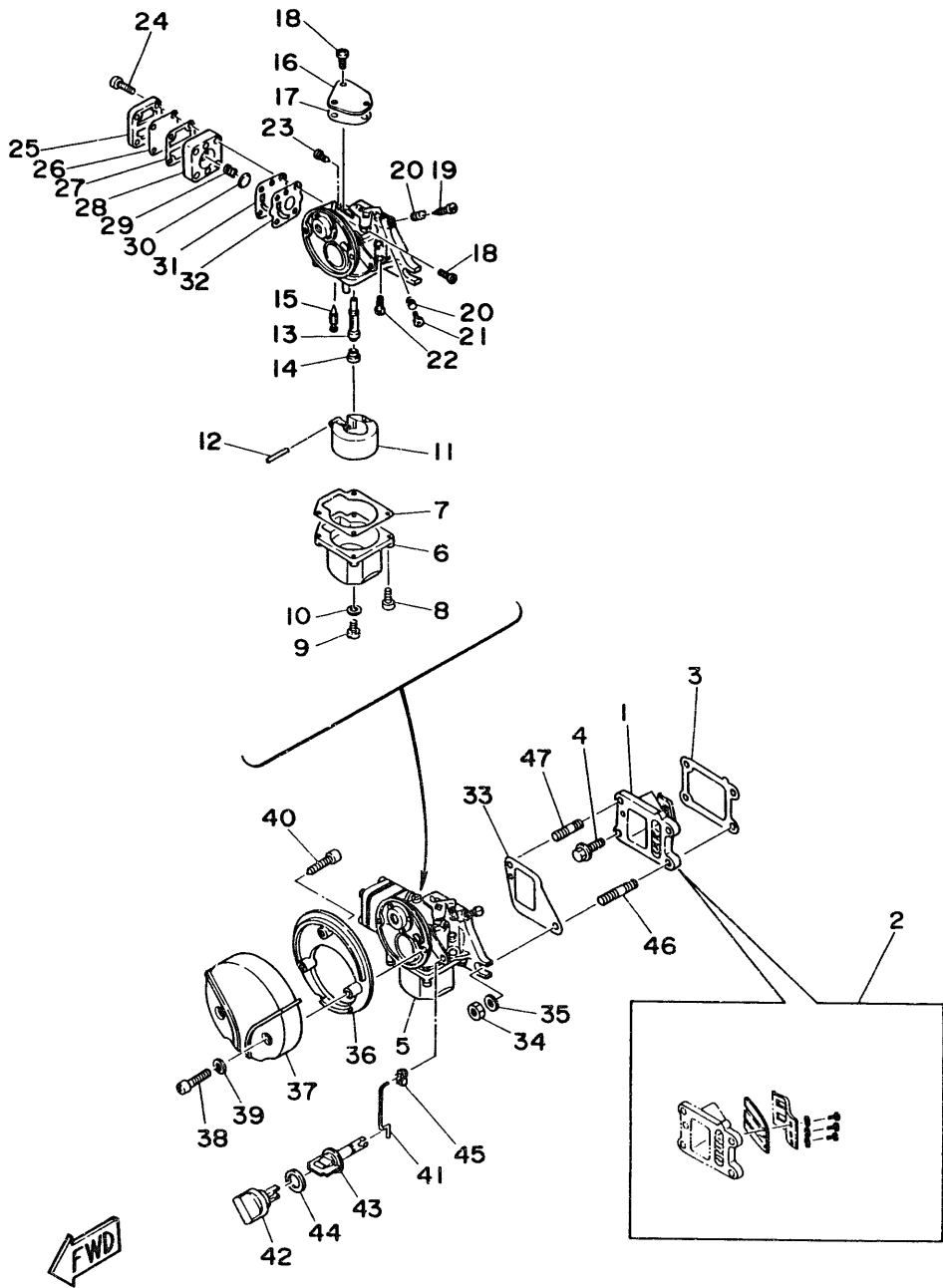


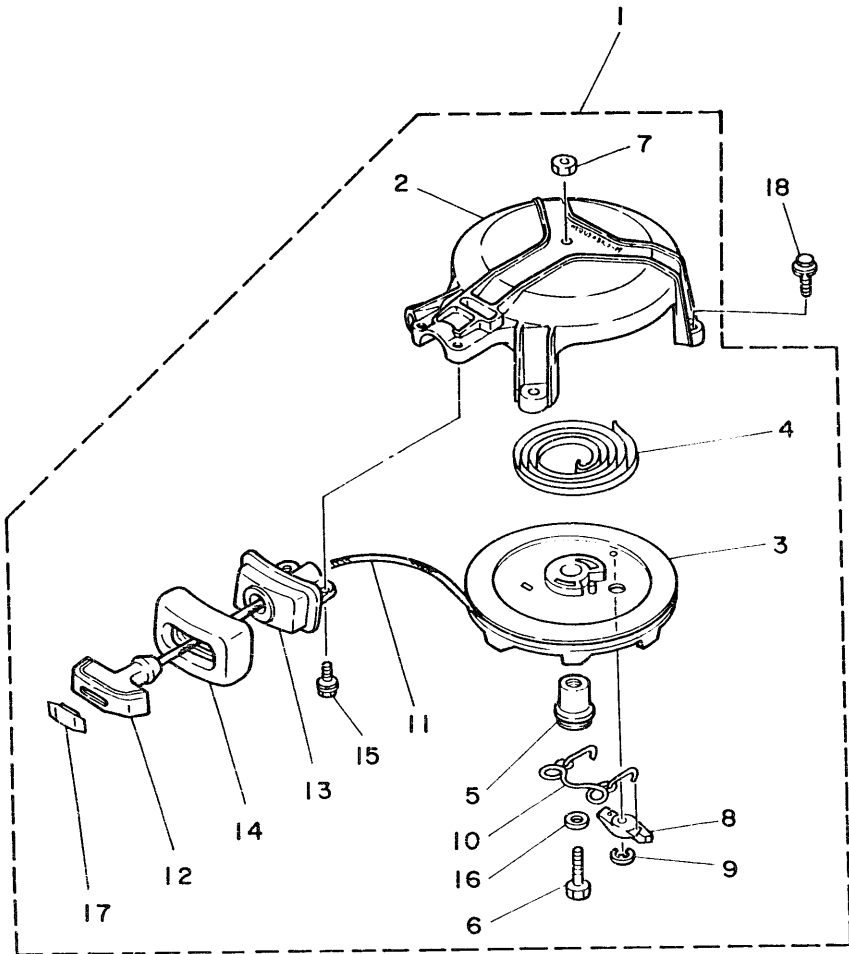
Fig. 2 INTAKE

Ref.No.	Parts No.	Description	Q'ty	Ref.No.	Parts No.	Description	Q'ty
1	6E0-13610-00	REED VALVE ASS'Y	1	25	6E0-24413-00	. COVER, pump	1
2	6E0-W0004-00	. REED SET	1	26	6E0-24471-00	. DIAPHRAGM	1
3	6E0-13621-00	PACKING, valve seat	1	27	6E0-24435-00	. GASKET, pump cover	1
4	90105-06M14	BOLT	2	28	6E0-24412-00	. BODY, pump	1
5	6E0-14301-02	CARBURETOR ASS'Y	1	29	6E0-24423-00	. SPRING	1
6	6E0-14381-01	. BODY, float chamber	1	30	6E0-14346-00	. PLATE	1
7	6E0-14384-00	. GASKET, float chamber	1	31	6E0-24411-00	. DIAPHRAGM	1
8	97803-04016	. SCREW	4	32	6E0-24434-00	. GASKET, pump body	1
9	677-14383-00	. SCREW, drain	1	33	6E0-14198-00	GASKET	1
10	6A1-14398-00	. GASKET	1	34	95303-06700	HUT	2
11	6E7-14385-00	. FLOAT	1	35	92903-06600	WASHER	2
12	647-14386-00	. PIN, float	1	36	6E0-14417-00	COVER 1	1
13	6E0-14341-01	. NOZZLE, main	1	37	6E0-14418-00	COVER 2	1
14	648-14343-40	. JET, main (#80)	1	38	97803-05025	SCREW, panhead	2
15	6G8-14392-00	. VALVE, needle	1	39	92903-05600	WASHER	2
16	6E0-14157-00	. COVER, plate	1	40	97780-40720	SCREW, ovalhead tapping	1
17	6E0-14227-00	. PACKING	1	41	6E0-41256-00	ROD, choke link	1
18	97803-04007	. SCREW	4	42	6E0-41271-00	KNOB, choke 1	1
19	647-14323-00	. SCREW, air adjusting	1	43	6E0-41272-00	KNOB, choke 2	1
20	646-14212-01	. SPRING, pilot adjusting	2	44	90202-12M16	WASHER	1
21	648-14321-00	. SCREW, throttle	1	45	661-41262-02	JOINT, choke lever	1
22	648-14342-23	. JET, pilot (#46)	1	46	95621-06325	BOLT, stud	1
23	647-14326-00	. SCREW, guide	1	47	90116-06M08	BOLT, stud	1
24	98503-04020	. SCREW	4				

Fig. 3 STARTER

Ref.No.	Parts No.	Description	Q'ty	Ref.No.	Parts No.	Description	Q'ty
1	6E0-15710-02-94	STARTER ASS'Y	1	10	6E0-15705-00	. SPRING, drive pawl	1
2	6E4-15711-71-94	. CASE, starter	1	11	+	. WIRE (1850mm)	1
3	6E0-15714-01	. DRUM, sheave	1	12	6G1-15755-00	. HANDLE, starter	1
4	90510-08M03	. SPRING, spiral	1	13	6E0-15758-01	. GUIDE, wire	1
5	6E0-15717-00	. SHAFT	1	14	6E0-15761-00	. SEAL 1	1
6	97313-06035	. BOLT	1	15	90105-06M14	. BOLT	2
7	95303-06600	. NUT	1	16	90201-06M30	. WASHER	1
8	677-15741-01	. PAWL, drive	1	17	689-15779-01	. COVER	1
9	93430-06M02	. CIRCLIP	1	18	90105-06M15	BOLT	3

+ Cut from 50m rolls, Parts No. 90890-44372, cutting length 1.85m.



FWD

A5

Fig. 4 COWLING & FUEL

Ref.No.	Parts No.	Description	Q'ty	Ref.No.	Parts No.	Description	Q'ty
1	6E0-42610-23-EJ	TOP COWLING ASS'Y	1	19	6E0-24610-01	CAP ASS'Y	1
2	6E0-W0070-22	. GRAPHIC SIDE SET	1	20	6E0-24181-00	DAMPER, locating 1	2
3	6E0-42677-01	. GRAPHIC, front	1	21	6E0-24182-00	DAMPER, locating 2	2
4	6E0-42678-20	. GRAPHIC, rear	1	22	95895-06025	BOLT	2
5	6E0-42651-00	. HOOK 1	1	23	6E0-42542-00	PIPE 1	2
6	6E0-42647-01	. HOLDER, clamp band	1	24	6E0-24500-00	FUEL COCK ASS'Y	1
7	90266-04M00	. RIVET 2	4	25	90445-09M37	HOSE	1
8	6E0-42615-00	. SEAL	1	26	90467-08004	CLIP, pipe 1	2
9	6E0-42711-02-EJ	COWLING, bottom	1	27	6E0-24572-00	SHAFT, fuel change	1
10	6A1-42792-01	MARK 3	1	28	6E0-24571-00	BUSHING	1
11	6E0-42815-00-EJ	LEVER, clamp 1	1	29	6E0-24591-00	GRAPHIC, change lever	1
12	90386-12069	BUSHING	2	30	90202-12M17	WASHER	2
13	6E0-42816-00	LEVER, clamp 2	1	31	6E0-24575-01	LEVER, fuel change	1
14	90206-12052	WASHER, wave	1	32	90105-06M15	BOLT	1
15	97890-06030	SCREW, panhead	1	33	90480-14M14	GROMMET	2
16	95303-06700	NUT	1	34	6E0-82550-00	STOP SWITCH ASS'Y	1
17	6E0-24110-00-EJ	FUEL TANK COMP.	1	35	606-42591-00	HOLDER, share pin	1
18	6E0-24641-00	GASKET, cap	1	36	6E0-28100-01	TOOL ASS'Y	1

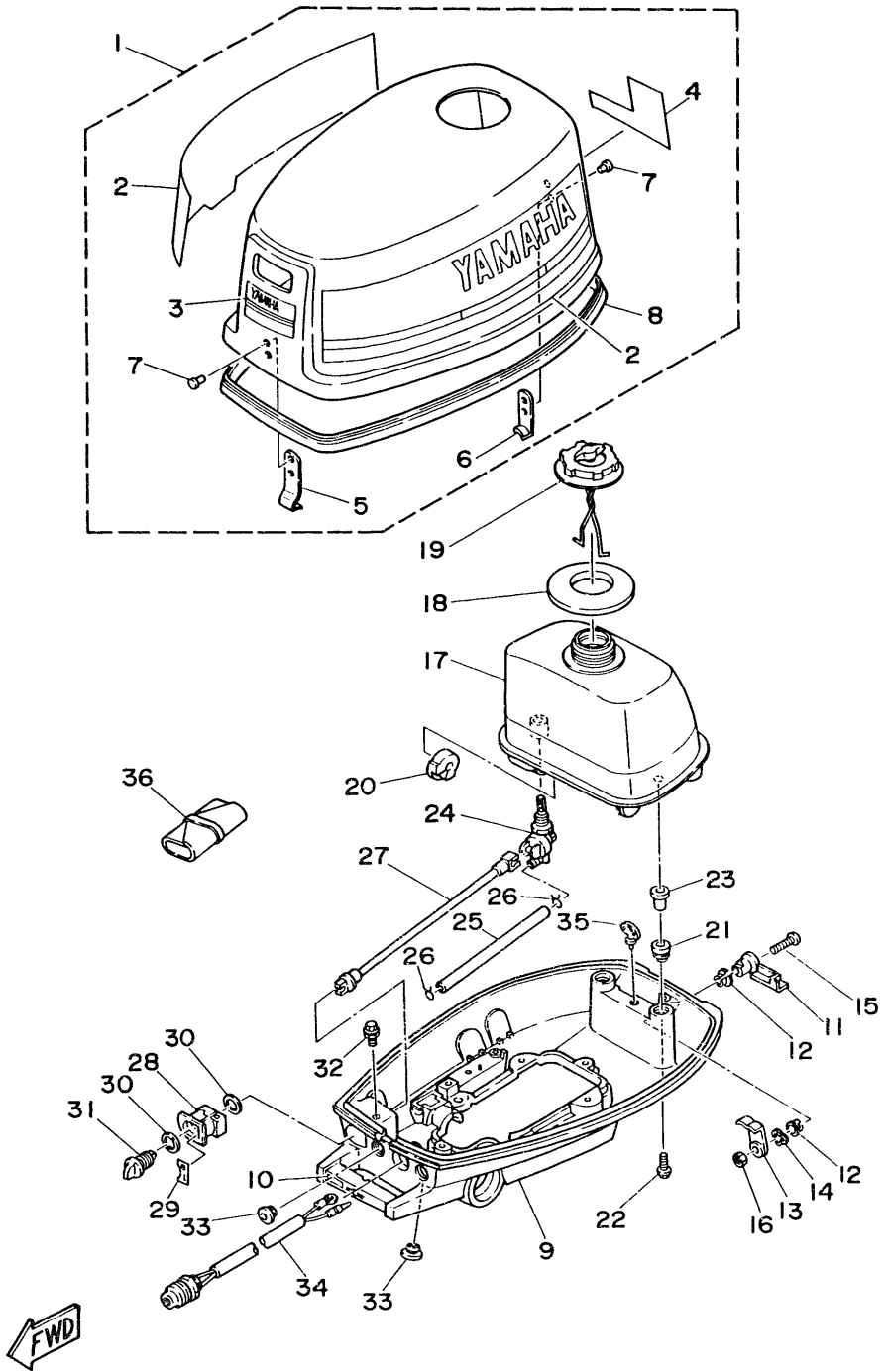
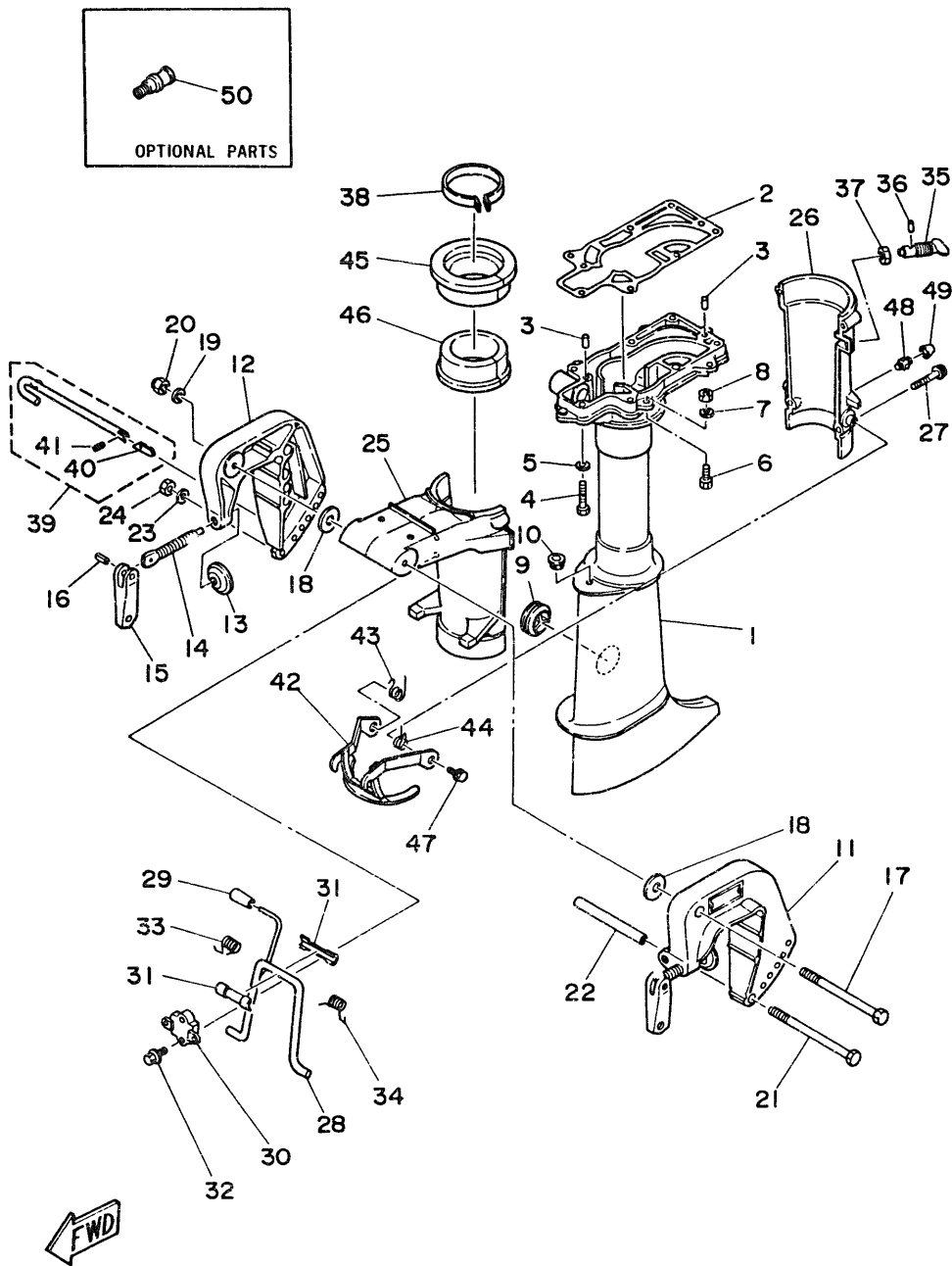


Fig. 5 UPPER CASING & BRACKET

Ref.No.	Parts No.	Description	Q'ty	Ref.No.	Parts No.	Description	Q'ty
1	6E0-45111-01-EJ CASING, upper (Short)		1 U.R.	28	6E0-43181-00	LEVER, tilt stop	1
	6E0-45111-11-EJ CASING, upper (Long)		1 U.R.	29	6E0-43632-00	KNOB, tilt	1
2	6E0-45113-00	GASKET, upper casing	1	30	6E0-43313-00-94	BRACKET, swivel 3	1
3	93606-12019	PIN, dowel B	2	31	620-43189-00	BUSHING 2	2
4	97395-06030	BOLT	7	32	95895-06020	BOLT	2
5	92990-06600	WASHER	7	33	90508-16020	SPRING, torsion 1	1
6	97395-06016	BOLT	4	34	90508-16021	SPRING, torsion 2	1
7	92990-06600	WASHER	4	35	6E0-42529-01	SCREW, friction piece	1
8	95380-06700	NUT	4	36	91690-20010	PIN, spring	1
9	647-45151-01	COVER, upper casing	1	37	95380-08600	NUT	1
10	90480-10M13	GROMMET	1	38	6E0-42528-02	PIECE, friction	1
11	6E0-43111-00-EJ BRACKET, clamp 1		1	39	6E0-43160-00	TILT ROD ASS'Y	1
12	6E0-43112-00-EJ BRACKET, clamp 2		1	40	656-43165-01	STOPPER PLATE	1
13	648-43114-01	PAD, transom clamp	2	41	91690-30008	PIN, spring	1
14	6E0-43116-00	SCREW, transom clamp	2	42	6E0-43614-00-9M	PLATE, tilt lock 1	1
15	6E0-43118-00	HANDLE, transom clamp	2	43	90508-14M10	SPRING, torsion	1
16	90254-04M00	PIN	2	44	90508-14M11	SPRING, torsion	1
17	90101-08M68	BOLT	1	45	6E0-42537-01	BUSHING, pivot shaft 1	1
18	90201-08M47	WASHER	2	46	6E0-42538-01	BUSHING, pivot shaft 2	1
19	92990-08600	WASHER	1	47	95895-06010	BOLT	2
20	90185-08M00	NUT, self-locking	1	48	93700-06004	NIPPLE, grease	1
21	90101-06335	BOLT	1	49	663-45119-00	CAP, grease nipple	1
22	90560-06088	SPACER	1	50	6E0-28193-00-94	PLUG, water check 1	1 A.P.
23	92990-06600	WASHER	1				
24	95380-06600	NUT	1				
25	6E0-43311-02-EJ BRACKET, swivel 1		1				
26	6E0-43312-02-EJ BRACKET, swivel 2		1				
27	95895-06035	BOLT	4				



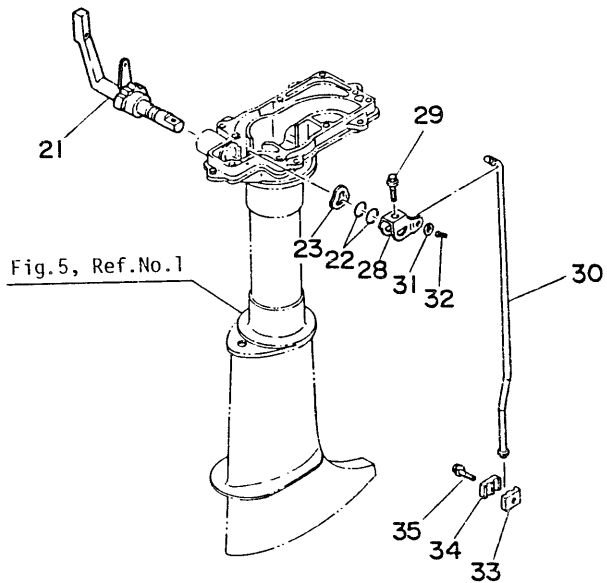
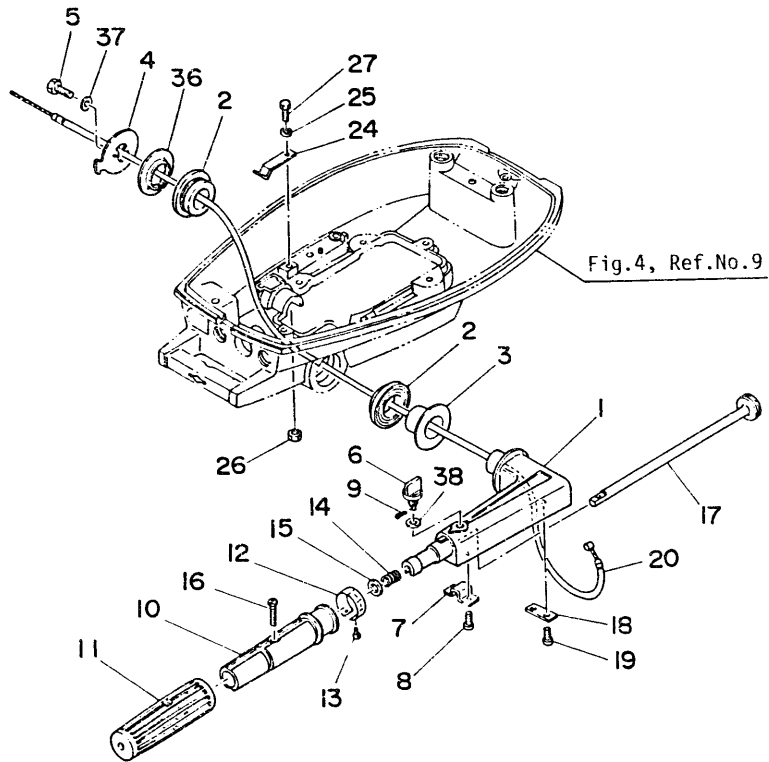


Fig. 6 CONTROL

Ref.No.	Parts No.	Description	Q'ty	Ref.No.	Parts No.	Description	Q'ty
1	6E0-42111-00-EJ	HANDLE, steering	1	21	6E0-44111-01	HANDLE, gear shift	1
2	6E0-42129-01	BUSHING 1	2	22	93210-12327	O-RING	2
3	90386-26M30	BUSHING	1	23	90206-16M06	WASHER, wave	1
4	6E0-42131-01-94	COVER, handle steering	1	24	6E0-44116-00	SPRING	1
5	97313-05020	BOLT	2	25	92903-06600	WASHER	1
6	6E0-42125-00	BOLT, friction adjust	1	26	95380-06700	NUT	1
7	6E0-42134-00	COVER	1	27	97395-06012	BOLT	1
8	97890-05012	SCREW, panhead	2	28	6E0-44121-00	LEVER, shift rod 1	1
9	91490-12010	PIN, cotter	1	29	95895-06025	BOLT	1
10	6E0-42119-00	GRIP, steering handle	1	30	6E0-44143-00	ROD, shift 1 (Short)	1 U.R.
11	6E0-42177-00	HANDLE	1		6E0-44143-10	ROD, shift 1 (Long)	1 U.R.
12	6E0-42137-10	INDICATOR, throttle	1	31	92990-05600	WASHER	1
13	90269-02001	RIVET	1	32	91490-16010	PIN, cotter	1
14	90501-23215	SPRING, compression	1	33	6E0-44145-00	CONNECTOR, shift rod 1	1
15	90201-10119	WASHER	1	34	6E0-44146-00	CONNECTOR, shift rod 2	1
16	98180-05025	SCREW	1	35	95895-06020	BOLT	1
17	6E0-42138-01	LEVER, throttle	1	36	90386-26M33	BUSHING	1
18	6E0-42159-00	STAY	1	37	92903-05600	WASHER	2
19	97890-05012	SCREW, panhead	2	38	90202-07M22	WASHER	1
20	6E0-26301-01	THROTTLE WIRE ASS'Y	1				



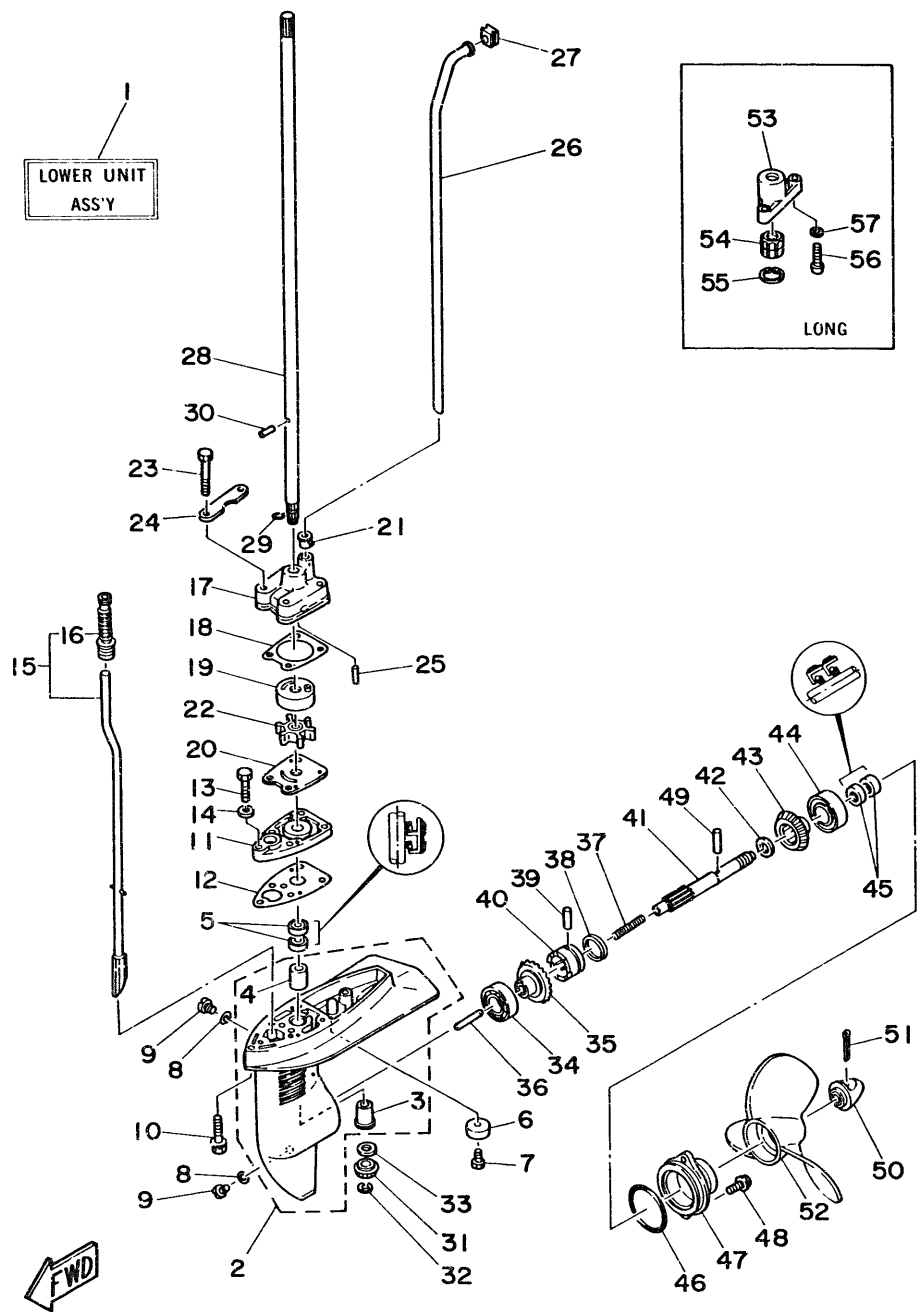
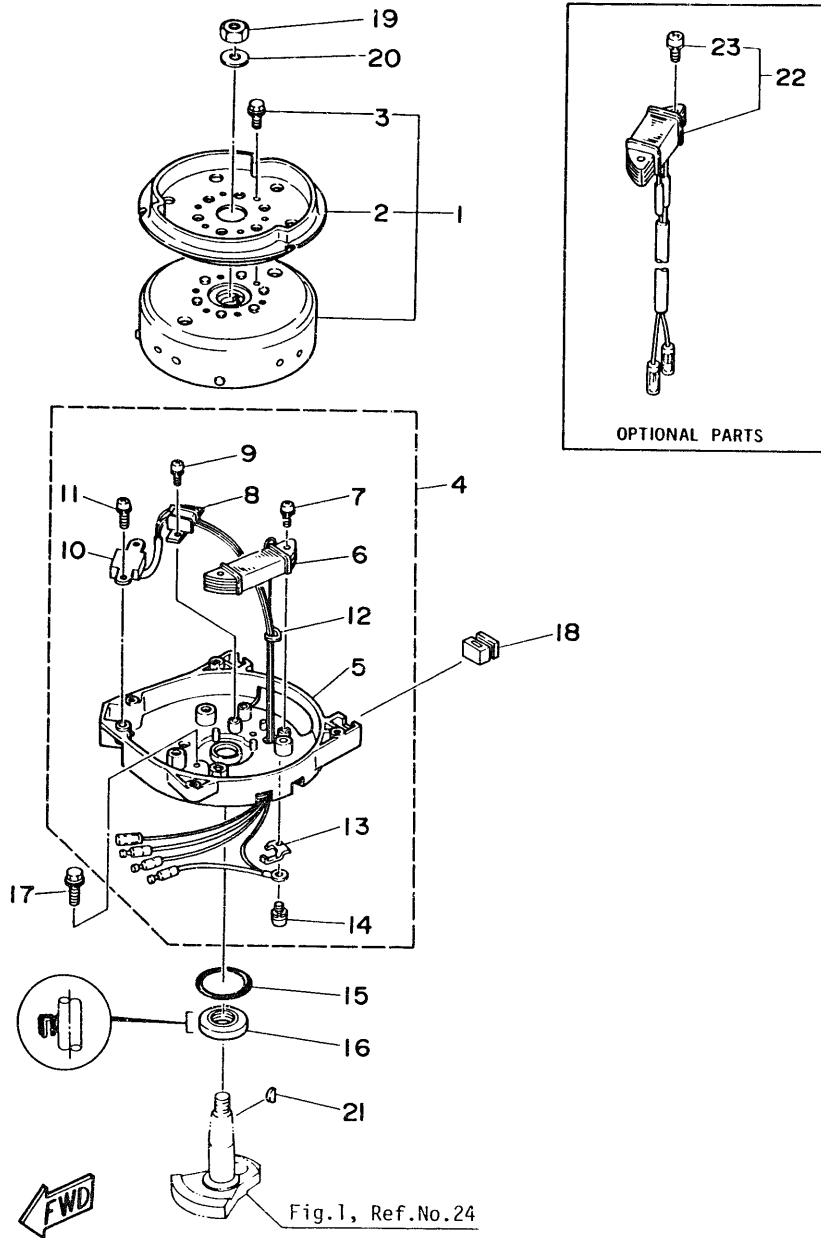


Fig. 7 LOWER & DRIVE

Ref.No.	Parts No.	Description	Q'ty	Ref.No.	Parts No.	Description	Q'ty
1	6E0-45300-00-EJ	LOWER UNIT ASS'Y (Short)		28	6E0-45511-10	SHAFT, drive (Long)	1 U.R.
		(Ref. No. 2 to 25, 28 to 48)	1 U.R.	29	90467-08M01	CLIP	1
	6E0-45300-10-EJ	LOWER UNIT ASS'Y (Long)		30	93604-09066	PIN, dowel B	1
		(Ref. No. 2 to 25, 28 to 48)	1 U.R.	31	6E0-45551-00	PINION	1
2	6E0-45311-00-EJ	CASING, lower	1	32	99001-06600	CIRCLIP	1
3	6E0-45317-09	. BUSHING, solid	1				
4	6E0-45316-09	. BUSHING, solid	1	33	90201-11M49	WASHER	1
5	93101-11M14	OIL SEAL	2	34	93306-004U0	BEARING (B6004)	1
6	6E0-45251-00	ANODE	1	35	6E0-45560-00	GEAR 1 ASS'Y	1
7	97395-06012	BOLT	1	36	654-45635-00	PLUNGER, shift	1
8	90430-08020	GASKET	3	37	90501-10064	SPRING, compression	1
9	90340-08014	PLUG, straight screw	3	38	654-45633-00	RING, cross pin	1
				39	90250-05046	PIN, cross	1
10	90119-06M25	BOLT, with washer	2	40	6E0-45631-00	CLUTCH, dog	1
11	6E0-45321-01-9M	PLATE	1	41	6E0-45611-00	SHAFT, propeller	1
12	6E0-45315-00	PACKING, lower casing	1	42	90201-13M50	WASHER	1
13	97395-06025	BOLT	1				
14	92990-06600	WASHER	1	43	6E0-45570-00	GEAR 2 ASS'Y	1
				44	93306-004U0	BEARING (B6004)	1
15	6E0-44150-00	SHIFT CAM ASS'Y (Short)	1 U.R.	45	93101-13M12	OIL SEAL	2
	6E0-44150-10	SHIFT CAM ASS'Y (Long)	1 U.R.	46	93210-48214	O-RING	1
16	6G1-44147-00	. BOOT, shift rod	1	47	6E0-45361-00-EJ	CAP, lower casing	1
17	6E0-44311-00	HOUSING, water pump	1				
18	6E0-44315-00	GASKET, water pump	1	48	35895-06016	BOLT	2
				49	90250-05009	PIN, straight	1
19	6E0-44322-01	INSERT, cartridge	1 U.R.	50	647-45616-02	NUT, propeller	1
	6E0-44322-40	INSERT, cartridge (Chromate)	1 U.R.	51	91490-30030	PIN, cotter	1
20	6E0-44323-00	OUTER PLATE, cartridge	1 U.R.	52	6E0-45941-00-EL	PROPELLER ASS'Y 1(3x7/8"x8"-B)	1 U.R.
	6E0-44323-40	OUTER PLATE, cartridge (Chromate)	1 U.R.				
21	6E0-44366-00	RUBBER, water seal 2	1	644-45941-01-EL	PROPELLER ASS'Y 1(3x7/8"x5"-B)	1 U.R.	
				654-45941-01-EL	PROPELLER ASS'Y 1(3x7/8"x6 1/2"-B)	1 U.R.	
22	6E0-44352-00	IMPELLER	1	6E0-45943-00-EL	PROPELLER ASS'Y 2(3x7/8"x7"-B)	1 U.R.	
23	97395-06045	BOLT	4	654-45943-01-EL	PROPELLER ASS'Y 2(3x7/8"x7 1/2"-B)	1 U.R.	
24	6E0-44328-00	PLATE	2	6E0-45945-00-EL	PROPELLER ASS'Y 3(3x7/8"x7 1/2"-B)	1 U.R.	
25	93604-18080	PIN, dowel B	2				
26	6E0-44361-00	TUBE, water (Short)	1 U.R.	6E0-45947-00-EL	PROPELLER ASS'Y 4(3x7/8"x8"-B)	1 U.R.	
	6E0-44361-10	TUBE, water (Long)	1 U.R.	53	6E0-45331-00-9M	HOUSING, bearing (Long)	1
27	646-44365-00	RUBBER, water seal 1	1	54	6E0-45318-01	BUSHING, drive shaft 3 (Long)	1
28	6E0-45511-00	SHAFT, drive (Short)	1 U.R.	55	93420-22M03	CIRCLIP (Long)	1
				56	97890-05025	SCREW, panhead (Long)	2
				57	92990-05600	WASHER (Long)	2

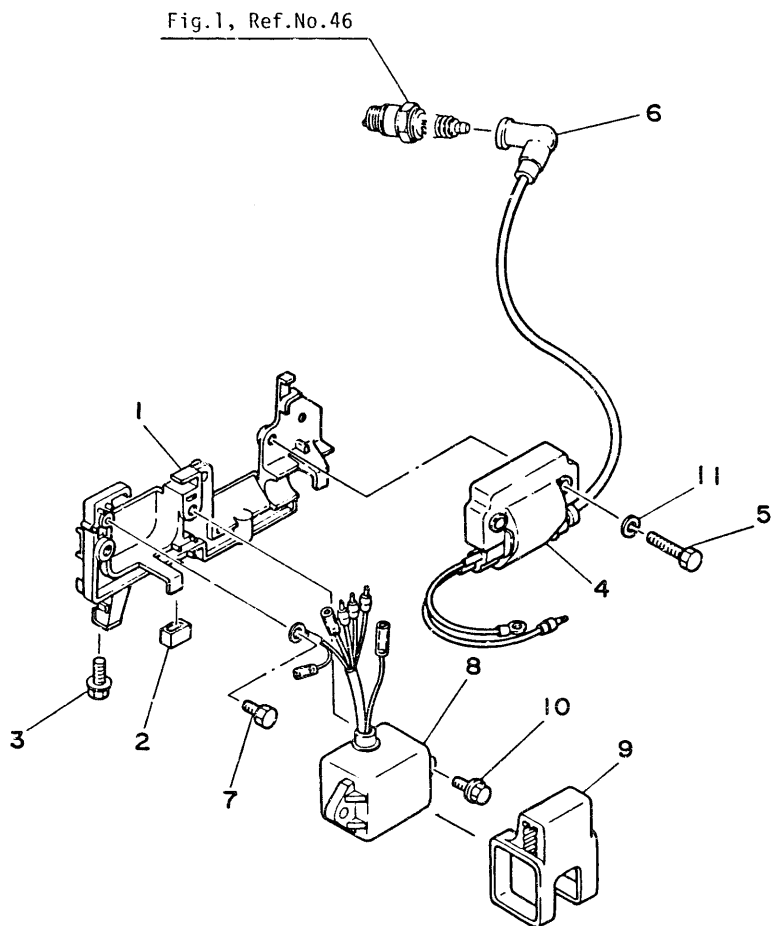
Fig. 8 C.D.I. MAGNETO



Ref.No.	Parts No.	Description	Q'ty	Ref.No.	Parts No.	Description	Q'ty
1	6E0-85550-70	ROTOR ASS'Y	1	13	6E0-81328-70	. CLAMP	1
2	6E0-15723-00-94	. PULLEY, starter	1	14	90159-04035	. SCREW, with washer	1
3	90105-06M14	. BOLT	3	15	93210-42159	O-RING	1
4	6E0-85560-70	BASE ASS'Y	1	16	93102-20M15	OIL SEAL	1
5	6E0-15359-00-94	. HOUSING, oil seal 1	1	17	90105-06M14	BOLT	2
6	6E0-85520-70	. CHARGE COIL ASS'Y	1	18	6E0-24183-00	DAMPER, locating 3	2
7	90159-05038	. SCREW, with washer	2	19	90170-10113	NUT	1
8	6E0-85595-70	. PULSER COIL ASS'Y 1	1	20	90201-10126	WASHER	1
9	90159-04036	. SCREW, with washer	2	21	90280-04006	KEY, woodruff	1
10	6E0-85592-70	. PULSER COIL ASS'Y 2	1	22	6E0-81303-80	LIGHTING COIL ASS'Y (60W)	1 A.P.
11	90159-05037	. SCREW, with washer	2	23	90159-05040	. SCREW, with washer	2 A.P.
12	6E0-81336-70	. GROMMET	1				

Fig. 9 ELECTRIC PARTS

Ref.No.	Parts No.	Description	Q'ty	Ref.No.	Parts No.	Description	Q'ty
1	6E0-82316-00-94	BRACKET, ignition coil	1	7	97313-06010	BOLT	1
2	6E0-82317-00	DAMPER	2	8	6E0-85540-70	C.D.I. UNIT ASS'Y	1
3	95895-06016	BOLT	2	9	6E0-85548-00	HOLDER, wire harness	1
4	6E0-85570-20	IGNITION COIL ASS'Y	1	10	90105-06M15	BOLT	2
5	97313-06030	BOLT	2	11	92990-06600	WASHER	2
6	6G1-82370-20	PLUG CAP ASS'Y	1				



← FWD

B4

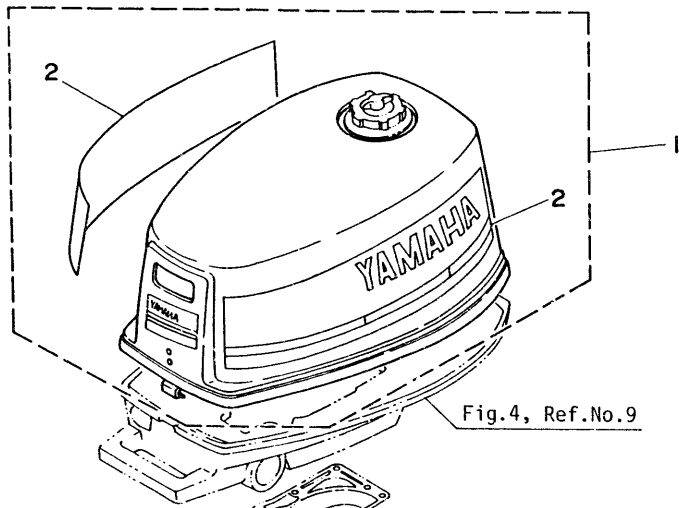
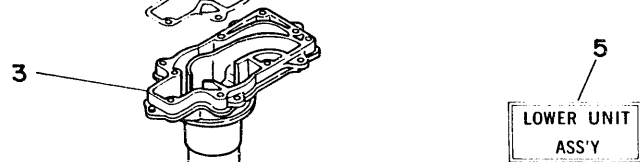


Fig.4, Ref.No.9



LOWER UNIT
ASS'Y

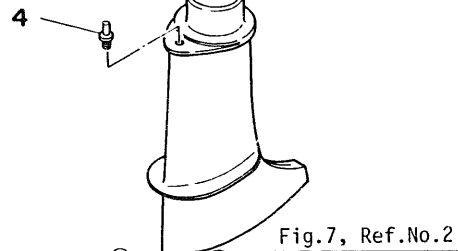


Fig.7, Ref.No.2

FWD

Fig. 10 4A MODEL (WITHOUT CLUTCH TYPE)

Ref.No.	Parts No.	Description	Q'ty	Ref.No.	Parts No.	Description	Q'ty
1	6E2-42610-21-EJ	TOP COWLING ASS'Y	1	5	6E2-45300-00-EJ	LOWER UNIT ASS'Y (Short)	1
2	6E2-W0070-21	GRAPHIC SIDE SET	1		6E2-45300-10-EJ	LOWER UNIT ASS'Y (Long)	1
3	6E2-45111-01-EJ	CASING, upper (Short)	1	6	6E2-45321-01-9M	PLATE	1
	6E2-45111-11-EJ	CASING, upper (Long)	1	7	6E2-45560-00	GEAR 1 ASS'Y	1
4	6E2-45151-00	COVER, upper casing	1				

Fig. 11 COWLING (4AS MODEL)

Ref.No.	Parts No.	Description	Q'ty	Ref.No.	Parts No.	Description	Q'ty
1	6E1-42610-22-EJ	TOP COWLING ASS'Y	1	9	6E1-42643-00	PLATE, clamp	1
2	6E0-W0070-22	. GRAPHIC SIDE SET	1	10	6G1-2811G-00	BAND 1	1
3	6E0-42677-01	. GRAPHIC, front	1	11	6E1-24182-00	DAMPER, locating	2
4	6E0-42678-20	. GRAPHIC, rear	1	12	6G1-24304-01	FUEL PIPE JOINT COMP.	1
5	6E0-42651-00	. HOOK 1	1	13	646-24251-0i	STRAINER	1
6	6E0-42647-01	. HOLDER, clamp band	1	14	90445-09068	HOSE	1
7	90266-04M00	. RIVET	4	15	90445-09057	HOSE	1
8	6E0-42615-00	. SEAL	1	16	90467-08004	CLIP	4

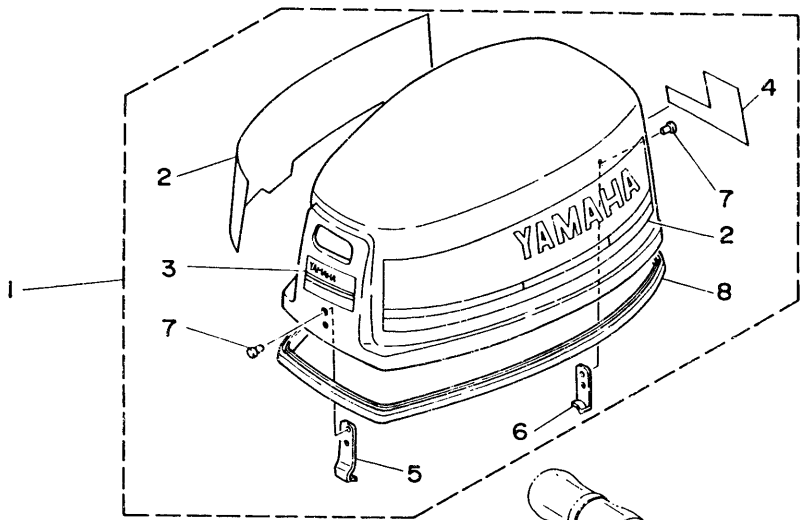


Fig. 3, Ref.No.2

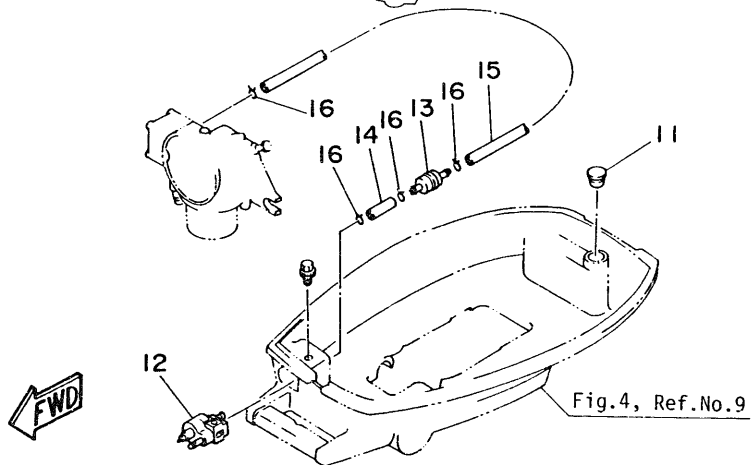
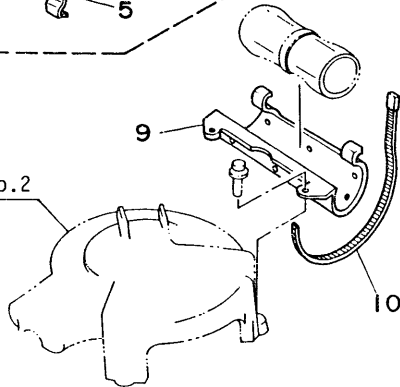


Fig. 12 FUEL (4AS MODEL)

Ref.No.	Parts No.	Description	Q'ty	Ref.No.	Parts No.	Description	Q'ty
1	6Y0-24203-81-24	FUEL TANK ASS'Y	1	10	6Y0-24306-04	FUEL PIPE ASS'Y	1
2	6Y1-24246-00	. GRAPHIC, side	2	# 11	90445-11M79	. HOSE (1500mm)	1
3	6Y1-24255-80	. GRAPHIC	1	12	6Y1-24360-02	. PRIMARY PUMP ASS'Y	1
4	6Y1-24257-00	. GRAPHIC	1	# 13	90445-11M05	. HOSE (850mm)	1
5	647-24610-03	. CAP ASS'Y	1	14	650-24351-01	. BAND, fuel pipe 1	3
6	6Y0-24275-60	. FUEL METER COMP.	1	15	6G1-24305-00	. FUEL PIPE JOINT COMP. 2	1
7	6Y1-24329-00	. SEAL	4	16	93210-08287	. O-RING	1
8	98580-05016	. SCREW, panhead	4	17	650-24351-01	BAND, fuel pipe 1	1
9	663-24268-00	. GASKET, fuel meter housing	1				

Also available in 30m rolls. (Parts No. 90890-56878)

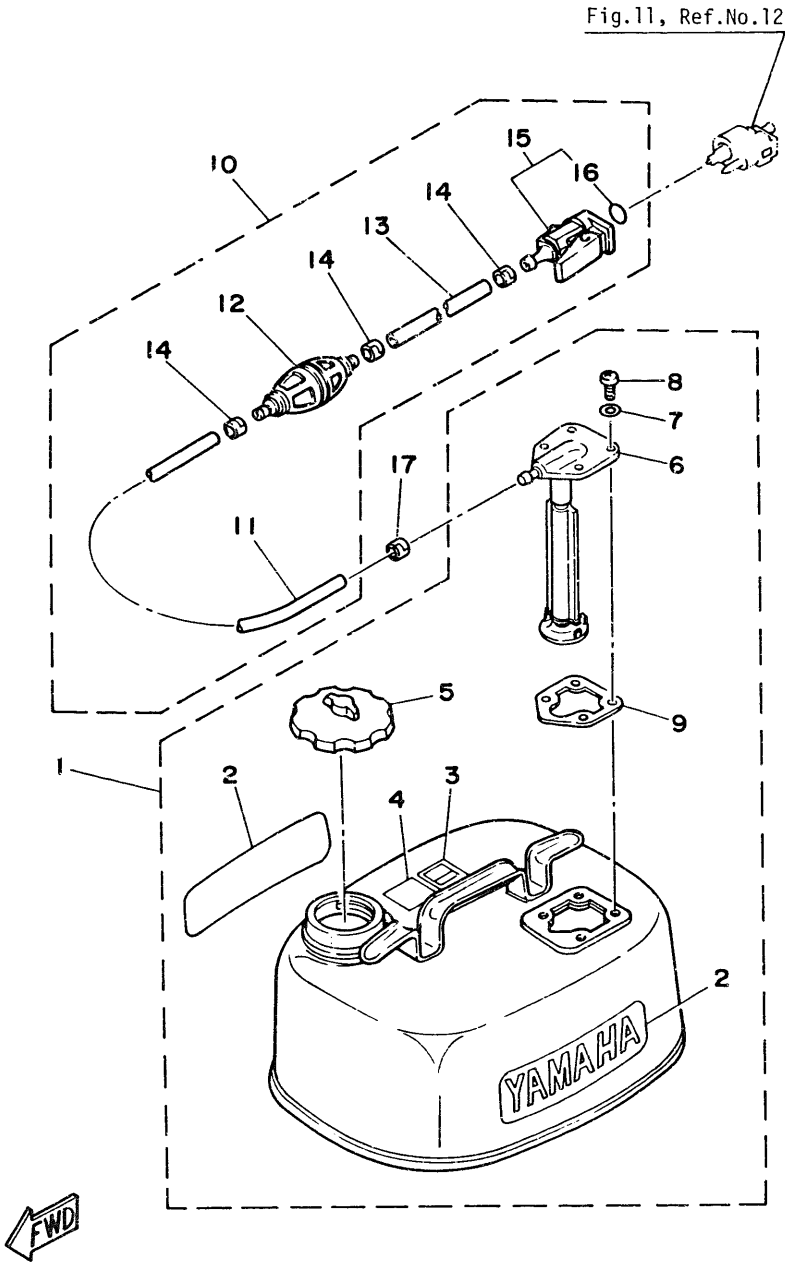


Fig.4, Ref.No.17

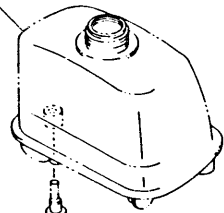


Fig.4, Ref.No.25

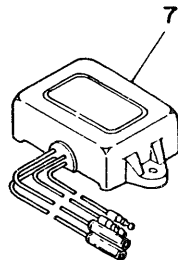
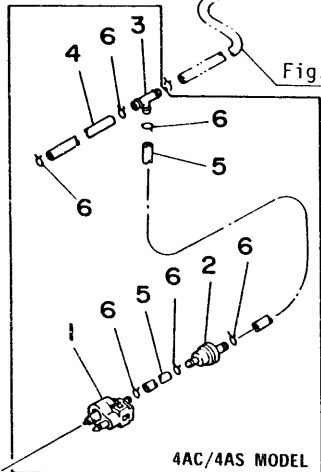


Fig.9, Ref.No.1

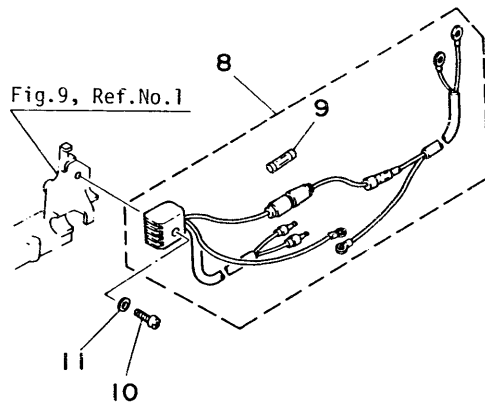


Fig.10, Ref.No.15

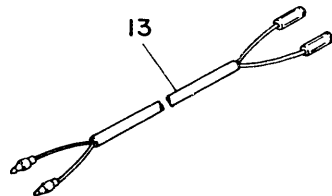
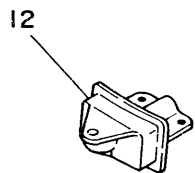


Fig. 13 OPTIONAL PARTS

Ref.No.	Parts No.	Description	Q'ty	Ref.No.	Parts No.	Description	Q'ty
FUEL PIPE JOINT (4A/4AC Model)				RECTIFIER			
1	6G1-24304-01	FUEL PIPE JOINT COMP.	1	8	676-81970-00	RECTIFIER ASS'Y	1
2	646-24251-01	STRAINER	1	9	663-82151-00	FUSE (12V-20A)	1
3	688-24378-00	PIPE, joint	1	10	97803-05025	SCREW, panhead	1
4	90445-09068	HOSE	1	11	92903-05600	WASHER	1
5	90445-09220	HOSE	2	VERTICAL STARTER			
6	90467-08004	CLIP	6	12	6E0-15758-80-EJ	GUIDE, wire	1
7	663-81910-10	VOLTAGE REGULATOR ASS'Y	1	LEAD WIRE			
				13	6E0-83553-20	WIRE, lead	1

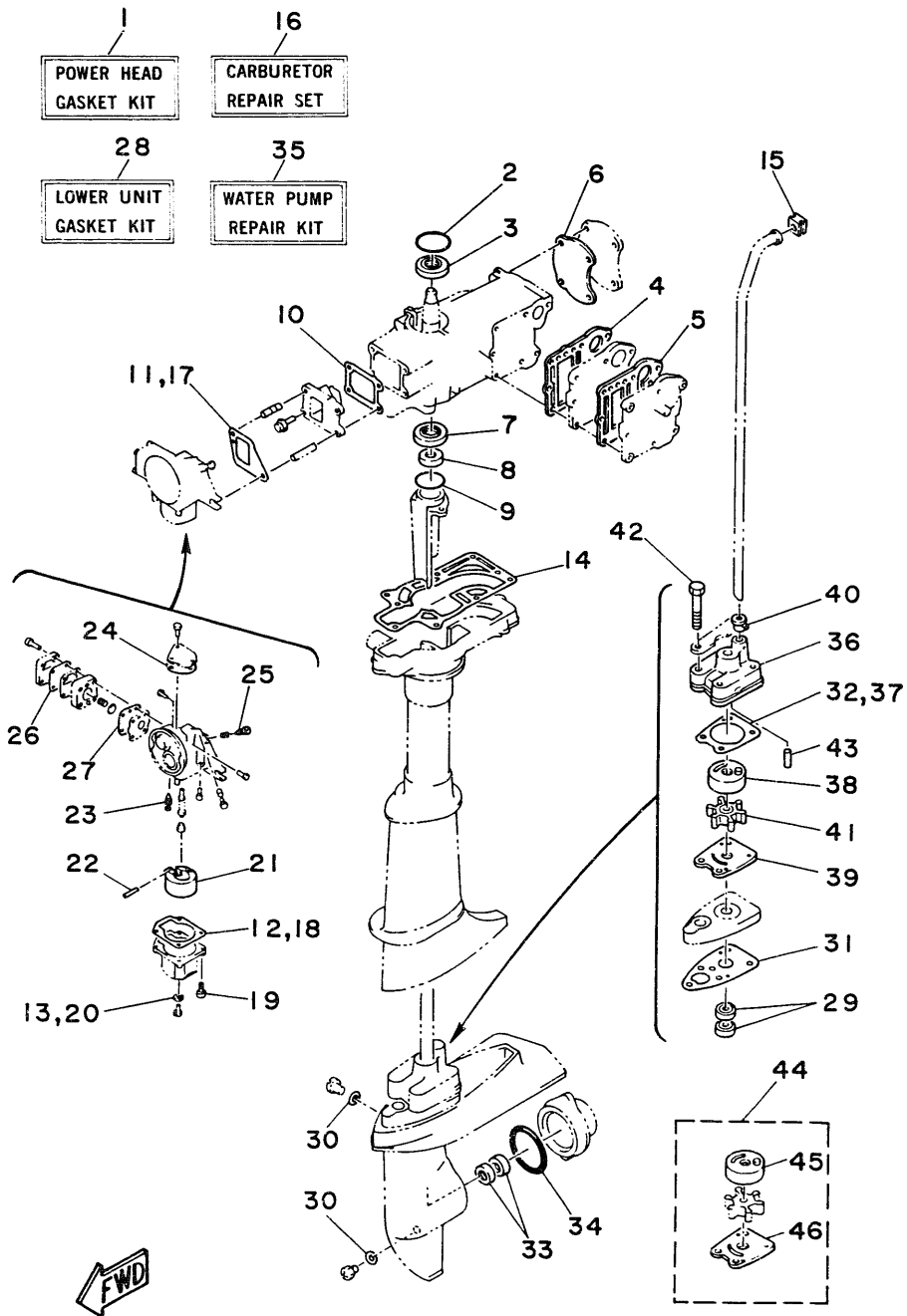


Fig. 14 REPAIR KIT

Ref.No.	Parts No.	Description	Q'ty	Ref.No.	Parts No.	Description	Q'ty
1	6E0-W0001-02	POWER HEAD GASKET KIT	1	24	6E0-14227-00	. PACKING	1
2	93210-42159	. O-RING	1	25	647-14323-00	. SCREW, air adjusting	1
3	93102-20M15	. OIL SEAL	1	26	6E0-24471-00	. DIAPHRAGM	1
4	6E0-41112-01	. GASKET, exhaust inner cover	1	27	6E0-24411-00	. DIAPHRAGM	1
5	6E0-41114-01	. GASKET, exhaust outer cover	1	28	6E0-W0001-20	LOWER UNIT GASKET KIT	1
6	6E0-11193-01	. GASKET, head cover	1	29	93101-11M14	. OIL SEAL	2
7	93102-20M06	. OIL SEAL	1	30	90430-08020	. GASKET	3
8	93101-11M14	. OIL SEAL	1	31	6E0-45315-00	. PACKING, lower casing	1
9	93210-31114	. O-RING	1	32	6E0-44315-00	. GASKET, water pump	1
10	6E0-13621-00	. PACKING, valve seat	1	33	93101-13M12	. OIL SEAL	2
11	6E0-14198-00	. GASKET	1	34	93210-48214	. O-RING	1
12	6E0-14384-00	. GASKET, float chamber	1	35	6E0-W0078-01	WATER PUMP REPAIR KIT	1
13	6A1-14398-00	. GASKET	1	36	6E0-44311-00	. HOUSING, water pump	1
14	6E0-45113-00	. GASKET, upper casing	1	37	6E0-44315-00	. GASKET, water pump	1
15	646-44365-00	. RUBBER, water seal 1	1	38	6E0-44322-01	. INSERT, cartridge	1
16	6E0-W0093-01	CARBURETOR REPAIR SET	1	39	6E0-44323-00	. OUTER PLATE, cartridge	1
17	6E0-14198-00	. GASKET	1	40	6E0-44366-00	. RUBBER, water seal 2	1
18	6E0-14384-00	. GASKET, float chamber	1	41	6E0-44352-00	. IMPELLER	1
19	97803-04016	. SCREW	1	42	97395-06045	. BOLT	4
20	6A1-14398-00	. GASKET	1	43	93604-09066	. PIN, dowel B	1
21	6E7-14385-00	. FLOAT	1	44	6E0-W0078-0A	CHROME PUMP KIT	1
22	647-14386-00	. PIN, float	1	45	6E0-44322-40	. INSERT, cartridge	1
23	6G8-14392-00	. VALVE, needle	1	46	6E0-44323-40	. OUTER PLATE, cartridge	1

NUMERICAL INDEX

PART NO.	REF. NO.	PART NO.	REF. NO.	PART NO.	REF. NO.	PART NO.	REF. NO.	PART NO.	REF. NO.	PART NO.	REF. NO.
6E0-W0001-02	14- 1	6E7-14385-00	2-11	6E0-24378-00	1-11	606-42591-00	4-35	6E0-44322-00	14-38	647-45616-02	7-50
6E0-W0001-20	14-28		14-21	688-24378-00	13- 3	6E0-42610-23-EJ	4- 1	6E0-44322-01	7-19	6E0-45631-00	7-40
6E0-W0004-00	2- 2	647-14386-00	2-12	6E0-24411-00	2-31	6E1-42610-22-EJ	11- 1	6E0-44322-40	7-19	654-45633-00	7-38
6E0-W0070-22	4- 2		14-22		14-27	6E2-42610-21-EJ	10- 1		14-45	654-45635-00	7-36
	11- 2	6G8-14392-00	2-15	6E0-24412-00	2-28	6E0-42615-00	4- 8	6E0-44323-00	7-20	6E0-45941-00-EL	7-52
6E2-W0070-21	10- 2		14-23	6E0-24413-00	2-25		11- 8		14-39	644-45941-01-EL	7-52
6E0-W0078-0A	14-44	6A1-14398-00	2-10	6E0-24423-00	2-29	6E1-42643-00	11- 9	6E0-44323-40	7-20	654-45941-01-EL	7-52
6E0-W0078-00	14-35		14-13	6E0-24434-00	2-32	6E0-42647-01	4- 6		14-46	6E0-45943-00-EL	7-52
6E0-W0090-02-EJ	1- 1		14-20	6E0-24435-00	2-27		11- 6	6E0-44328-00	7-24	654-45943-01-EL	7-52
6E0-W0093-01	14-16	6E0-14417-00	2-36	6E0-24471-00	2-26	6E0-42651-00	4- 5	6E0-44352-00	7-22	6E0-45945-00-EL	7-52
6E0-11191-01-9M	1-36	6E0-14418-00	2-37		14-26		11- 5		14-41	6E0-45947-00-EL	7-52
6E0-11193-01	1-37	624-14485-00	1- 4	6E0-24500-00	4-24	6E0-42677-01	4- 3	6E0-44361-00	7-26	6E0-81303-80	8-22
	14- 6	6E0-15100-01-94	1- 2	6E0-24571-00	4-28		11- 3	6E0-44361-10	7-26	6E0-81328-70	8-13
650-11370-00	1- 3	6E0-15359-00-94	8- 5	6E0-24572-00	4-27	6E0-42678-20	4- 4	646-44365-00	7-27	6E0-81336-70	8-12
6E5-11372-00	1- 5	6E0-15396-01-9M	1-41	6E0-24575-01	4-31		11- 4		14-15	663-81910-10	13- 7
6E0-11400-00	1-23	6E0-15705-00	3-10	6E0-24591-00	4-29	6E0-42711-02-EJ	4- 9	6E0-44366-00	7-21	676-81970-00	13- 8
6E0-11412-00	1-24	6E0-15710-02-94	3- 1	6E0-24610-01	4-19	6A1-42792-01	4-10	646-44366-01	14-40	663-82151-00	13- 9
6E0-11422-00	1-25	6E4-15711-71-94	3- 2	647-24610-03	12- 5	6E0-42815-00-EJ	4-11	6E0-45111-01-EJ	5- 1	6E0-82316-00-94	9- 1
6G1-11610-00	1-32	6E0-15714-01	3- 3	6E0-24641-00	4-18	6E0-42816-00	4-13	6E0-45111-11-EJ	5- 1	6E0-82317-00	9- 2
6E0-11631-00-98	1-31	6E0-15717-00	3- 5	6E0-26301-01	6-20	6E0-43111-00-EJ	5-11	6E2-45111-01-EJ	10- 3	6G1-82370-20	9- 6
6G1-11633-00	1-34	6E0-15723-00-94	8- 2	6E0-28100-01	4-36	6E0-43112-00-EJ	5-12	6E2-45111-11-EJ	10- 3	6E0-82550-00	4-34
6E0-11651-01	1-26	677-15741-01	3- 8	6G1-2811G-00	11-10	648-43114-01	5-13	6E0-45113-00	5- 2	6E0-83553-20	13-13
6G1-11681-00	1-28	6G1-15755-00	3-12	6E0-28193-00-94	5-50	6E0-43116-00	5-14		14-14	6E0-85520-70	8- 6
6E5-12411-00	1-17	6E0-15758-01	3-13	6E0-41111-01-9M	1-18	6E0-43118-00	5-15	663-45119-00	5-49	6E0-85540-70	9- 8
6E0-13610-00	2- 1	6E0-15758-80-EJ	13-12	6E0-41112-01	1-19	6E0-43160-00	5-39	6E2-45151-00	10- 4	6E0-85548-00	9- 9
6E0-13621-00	2- 3	6E0-15761-00	3-14		14- 4	656-43165-01	5-40	647-45151-01	5- 9	6E0-85550-70	8- 1
	14-10	689-15779-01	3-17	6E0-41113-01-9M	1-20	6E0-43181-00	5-28	6E0-45251-00	7- 6	6E0-85560-70	8- 4
6E0-14157-00	2-16	6E0-24110-00-EJ	4-17	6E0-41114-01	1-21	620-43189-00	5-31	6E0-45300-00-EJ	7- 1	6E0-85570-20	9- 4
6E0-14198-00	2-33	6E0-24181-00	4-20		14- 5	6E0-43311-02-EJ	5-25	6E0-45300-10-EJ	7- 1	6E0-85592-70	8-10
	14-11	6E0-24182-00	4-21	6E0-41256-00	2-41	6E0-43312-02-EJ	5-26	6E2-45300-00-EJ	10- 5	6E0-85595-70	8- 8
	14-17	6E1-24182-00	11-11	661-41262-02	2-45	6E0-43313-00-94	5-30	6E2-45300-10-EJ	10- 5	90101-06335	5-21
646-14212-01	2-20	6E0-24183-00	8-18	6E0-41271-00	2-42	6E0-43614-00-9M	5-42	6E0-45311-00-EJ	7- 2	90101-08M68	5-17
6E0-14227-00	2-17	6Y0-24203-81-24	12- 1	6E0-41272-00	2-43	6E0-43632-00	5-29	6E0-45315-00	7-12	90105-06M14	1-16
	14-24	6Y1-24246-00	12- 2	6E0-42111-00-EJ	6- 1	6E0-44111-01	6-21		14-31		1-38
6E0-14301-02	2- 5	646-24251-01	11-13	6E0-42119-00	6-10	6E0-44116-00	6-24	6E0-45316-09	7- 4		2- 4
648-14321-00	2-21		13- 2	6E0-42125-00	6- 6	6E0-44121-00	6-28	6E0-45317-09	7- 3		3-15
647-14323-00	2-19	6Y1-24255-80	12- 3	6E0-42129-01	6- 2	6E0-44143-00	6-30	6E0-45318-01	7-54		8- 3
	14-25	6Y1-24257-00	12- 4	6E0-42131-01-94	6- 4	6E0-44143-10	6-30	6E0-45321-01-9M	7-11		8-17
647-14326-00	2-23	663-24268-00	12- 9	6E0-42134-00	6- 7	6E0-44145-00	6-33	6E2-45321-01-9M	10- 6	90105-06M15	3-18
6E0-14341-01	2-13	6Y0-24275-60	12- 6	6E0-42137-10	6-12	6E0-44146-00	6-34	6E0-45331-00-9M	7-53		4-32
648-14342-23	2-22	6G1-24304-01	11-12	6E0-42138-01	6-17	6G1-44147-00	7-16	6E0-45361-00-EJ	7-47		9-10
648-14343-40	2-14		13- 1	6E0-42159-00	6-18	6E0-44150-00	7-15	6E0-45511-00	7-28	90105-06M16	1- 9
6E0-14346-00	2-30	6G1-24305-00	12-15	6E0-42177-00	6-11	6E0-44150-10	7-15	6E0-45511-10	7-28		1-15
6E0-14381-01	2- 6	6Y0-24306-04	12-10	6E0-42528-02	5-38	6E0-44311-00	7-17	6E0-45551-00	7-31	90105-06M17	1-10
677-14383-00	2- 9	6Y1-24329-00	12- 7	6E0-42529-01	5-35		14-36	6E0-45560-00	7-35	90105-06M24	1-14
6E0-14384-00	2- 7	650-24351-01	12-14	6E0-42537-01	5-45	6E0-44315-00	7-18	6E2-45560-00	10- 7		1-22
	14-12		12-17	6E0-42538-01	5-46		14-32	6E0-45570-00	7-43	90116-06M08	2-47
	14-18	6Y1-24360-02	12-12	6E0-42542-00	4-23		14-37	6E0-45611-00	7-41	90119-06M25	7-10

NUMERICAL INDEX

PART NO.	REF. NO.	PART NO.	REF. NO.	PART NO.	REF. NO.	PART NO.	REF. NO.	PART NO.	REF. NO.	PART NO.	REF. NO.
90159-04035	8-14	90480-10M13	5-10	93306-004U0	7-34	97803-05025	13-10				
90159-04036	8- 9	90480-14M14	4-33		7-44	97890-05012	6- 8				
90159-05037	8-11	90501-10064	7-37	93306-20411	1-30		6-19				
90159-05038	8- 7	90501-23215	6-14	93310-112V0	1-33	97890-05025	7-56				
90159-05040	8-23	90508-14M10	5-43	93310-418V1	1-27	97890-06030	4-15				
90170-10113	8-19	90508-14M11	5-44	93420-22M03	7-55	98180-05025	6-16				
90185-08M00	5-20	90508-16020	5-33	93430-06M02	3- 9	98503-04020	2-24				
90201-06M30	3-16	90508-16021	5-34	93450-13022	1-35	98580-05016	12- 8				
90201-08M47	5-18	90510-08M03	3- 4	93604-09066	7-30	99001-06600	7-32				
90201-10119	6-15	90560-06088	5-22		14-43						
90201-10126	8-20	90890-44372	3-11	93604-18080	7-25						
90201-11M49	7-33	91490-12010	6- 9	93606-12019	1- 8						
90201-13M50	7-42	91490-16010	6-32		5- 3						
90201-32M48	1-39	91490-30030	7-51	93700-06004	5-48						
90202-07M22	6-38	91690-20010	5-36	94702-00272	1-46						
90202-12M16	2-44	91690-30008	5-41	95303-06600	3- 7						
90202-12M17	4-30	92903-05600	2-39	95303-06700	2-34						
90206-12052	4-14		6-37		4-16						
90206-16M06	6-23		13-11	95380-06600	5-24						
90209-18112	1-29	92903-06600	2-35	95380-06700	5- 8						
90250-05009	7-49		6-25		6-26						
90250-05046	7-39	92990-05600	6-31	95380-08600	5-37						
90254-04M00	5-16		7-57	95621-06325	2-46						
90266-04M00	4- 7	92990-06600	1-43	95895-06010	5-47						
	11- 7		5- 5	95895-06016	7-48						
90269-02001	6-13		5- 7		9- 3						
90280-04006	8-21		5-23	95895-06020	5-32						
90340-08014	7- 9		7-14		6-35						
90386-12069	4-12		9-11	95895-06025	4-22						
90386-26M30	6- 3	92990-08600	5-19		6-29						
90386-26M33	6-36	93101-11M14	7- 5	95895-06035	5-27						
90430-08020	7- 8		14- 8	97313-05020	6- 5						
	14-30		14-29	97313-06010	9- 7						
90445-07M00	1-13	93101-11M25	1-44	97313-06030	9- 5						
90445-07M28	1- 6	93101-13M12	7-45	97313-06035	3- 6						
90445-07M51	1-12		14-33	97395-06012	6-27						
90445-09M37	4-25	93102-20M06	1-40		7- 7						
90445-09057	11-15		14- 7	97395-06016	1-42						
90445-09068	11-14	93102-20M15	8-16		5- 6						
	13- 4	93102-20M25	14- 3	97395-06025	7-13						
90445-09220	13- 5	93210-08287	12-16	97395-06030	5- 4						
90445-11M05	12-13	93210-12327	6-22	97395-06045	7-23						
90445-11M79	12-11	93210-31114	1-45		14-42						
90467-06016	1- 7		14- 9	97780-40720	2-40						
90467-08M01	7-29	93210-42159	8-15	97803-04007	2-18						
90467-08004	4-26		14- 2	97803-04016	2- 8						
	11-16	93210-48214	7-46		14-19						
	13- 6		14-34	97803-05025	2-38						