

3 A (6L5)

CONTENTS

Fig. 1	CYLINDER. CRANKCASE	A3
Fig. 2	INTAKE	A4
Fig. 3	STARTER	A5
Fig. 4	COWLING. FUEL	A6
Fig. 5	UPPER CASING. BRACKET	A7
Fig. 6	CONTROL	B1
Fig. 7	LOWER CASING. DRIVE 1	B2
Fig. 8	GENERATOR	B3
Fig. 9	ELECTRICAL 1	B4
Fig. 10	REPAIR KIT	B5
	NUMERICAL INDEX	

FOREWORD

This Parts Catalogue is related to the parts in use for the Yamaha outboard motor 3A '88 (6L5). When you are ordering replacement parts for the 3A '88 (6L5), refer to this Parts Catalogue and quote both part numbers and part names correctly.

1. Modifications or additions which have been made after issue of the Parts Catalogue will be announced in the Yamaha Parts News.
It is advisable that according to the Yamaha Parts News you make necessary corrections to the Parts Catalogue on hand to keep it up-to-date.

2. Abbreviations

The following abbreviations are used in this Parts Catalogue.

- UR Use size (thickness) and/or number as required.
- UN Use as many as you need.
- AP Alternate Parts
- STD Standard
- O/S Over Size

3. Parts, which are to be supplied in the form of assemblies, are listed with an indentation of one letter's space, and a dot (.) is put against the name of each part.

EXAMPLE

CARBURETOR ASS'Y
 . JET, pilot
 . NOZZLE, main

4. Indication of No. of constituent parts for assembly.

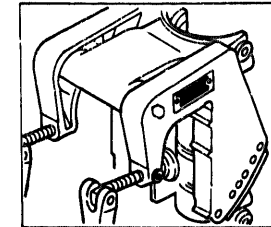
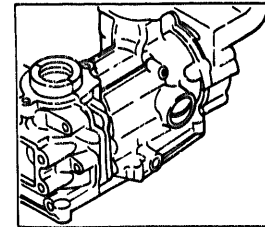
The numeral appearing to the right of each constituent part under the description indicates the quantity of such parts for each individual assembly unit.

EXAMPLE

Part No.	Description	Q'ty	Remarks
6E0-85500-70	C.D.I. MAGNETO ASS'Y	1	
6E0-85550-70	. ROTOR ASS'Y	1	
6E0-15723-00-94	. . PULLEY, starter	1	

5. Initial Serial No. and Color Code

Engine Serial No.	3A S:000101 and following L:300101 and following
-------------------	---



Color Code	Color Name	Abbreviate
EJ	METALLIC MARINE BLUE	MMB

1
CRANK CYLINDER
ASS'Y

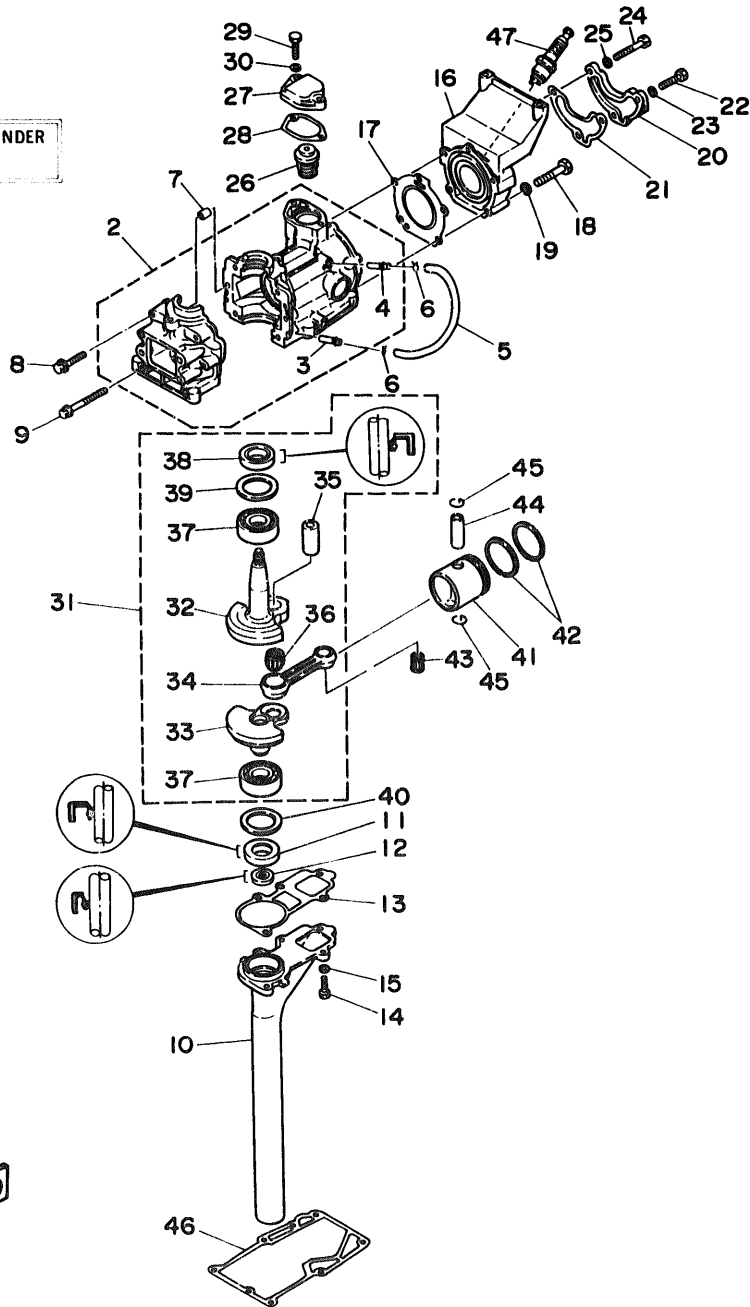


Fig. 1 CYLINDER. CRANKCASE

Ref.No.	Parts No.	Description	Q'ty	Ref.No.	Parts No.	Description	Q'ty
1	6L5-W0090-00-EJ	CRANK CYLINDER ASSY (Ref.No. 2 to 46)	1	27	6L5-12413-00-9M	COVER, thermostat	1
2	6L5-15100-00-94	CRANKCASE ASSY	1	28	6L5-12414-00	GASKET, cover	1
3	624-14785-00	.PIPE, joint	1	29	97313-06020	BOLT	2
4	6E5-11372-00	.NIPPLE, hose	1	30	92990-06600	WASHER, plate	2
5	90445-07M29	HOSE	1	31	6L5-11400-00	CRANKSHAFT ASSY	1
6	90467-06016	CLIP	2	32	6L5-11412-00	.CRANK 1	1
7	93C06-12019	PIN, dowel	2	33	6L5-11422-00	.CRANK 2	1
8	90105-06M16	BOLT, washer based	4	34	6L5-11651-00	.ROD, connecting	1
9	90105-06M40	BOLT, washer based	2	35	6L5-11681-00	.PIN, crank 1	1
10	6L5-15396-00-94	HOUSING, oil seal	1	36	93310-416F7	.BEARING, cylindrical	1
11	93101-20M29	OIL SEAL	1	37	93306-204U0	.BEARING	2
12	93101-09M42	OIL SEAL	1	38	93101-20M34	.OIL SEAL	1
13	6L5-15369-00	GASKET, oil seal housing	1	39	90201-32M00	.WASHER, plate	1
14	97395-06020	BOLT	5	40	90201-32M01	WASHER, plate	1
15	92990-06600	WASHER, plate	5	41	6L5-11631-00-96	PISTON (STD)	1
16	6L5-11111-00-94	HEAD, cylinder 1	1	42	6L5-11635-00	PISTON (0.25MM O/S)	1 AP
17	6L5-11181-00	GASKET, cylinder head 1	1	43	6L5-11636-00	PISTON (0.50MM O/S)	1 AP
18	97313-06028	BOLT	3	44	6L5-11610-00	PISTON RING SET (STD)	1
19	92990-06600	WASHER, plate	3	45	6L5-11610-10	PISTON RING SET (1ST O/S)	1 AP
20	6L5-11191-00-9M	COVER, cylinder head 1	1	46	6L5-11610-20	PISTON RING SET (2ND O/S)	1 AP
21	6L5-11193-00	GASKET, head cover 1	1	47	93310-112U0	BEARING, cylindrical	1
22	97313-06020	BOLT	1	48	6L5-11633-00	PIN, piston	1
23	92990-06600	WASHER, plate	1	49	93450-13022	CIRCLIP	2
24	97313-06050	BOLT	2	50	6L5-45113-00	GASKET, upper casing	1
25	92990-06600	WASHER, plate	2	51	94702-00274	PLUG SPARK (NGK BR6HS-10)	1
26	6E5-12411-00	THERMOSTAT	1				

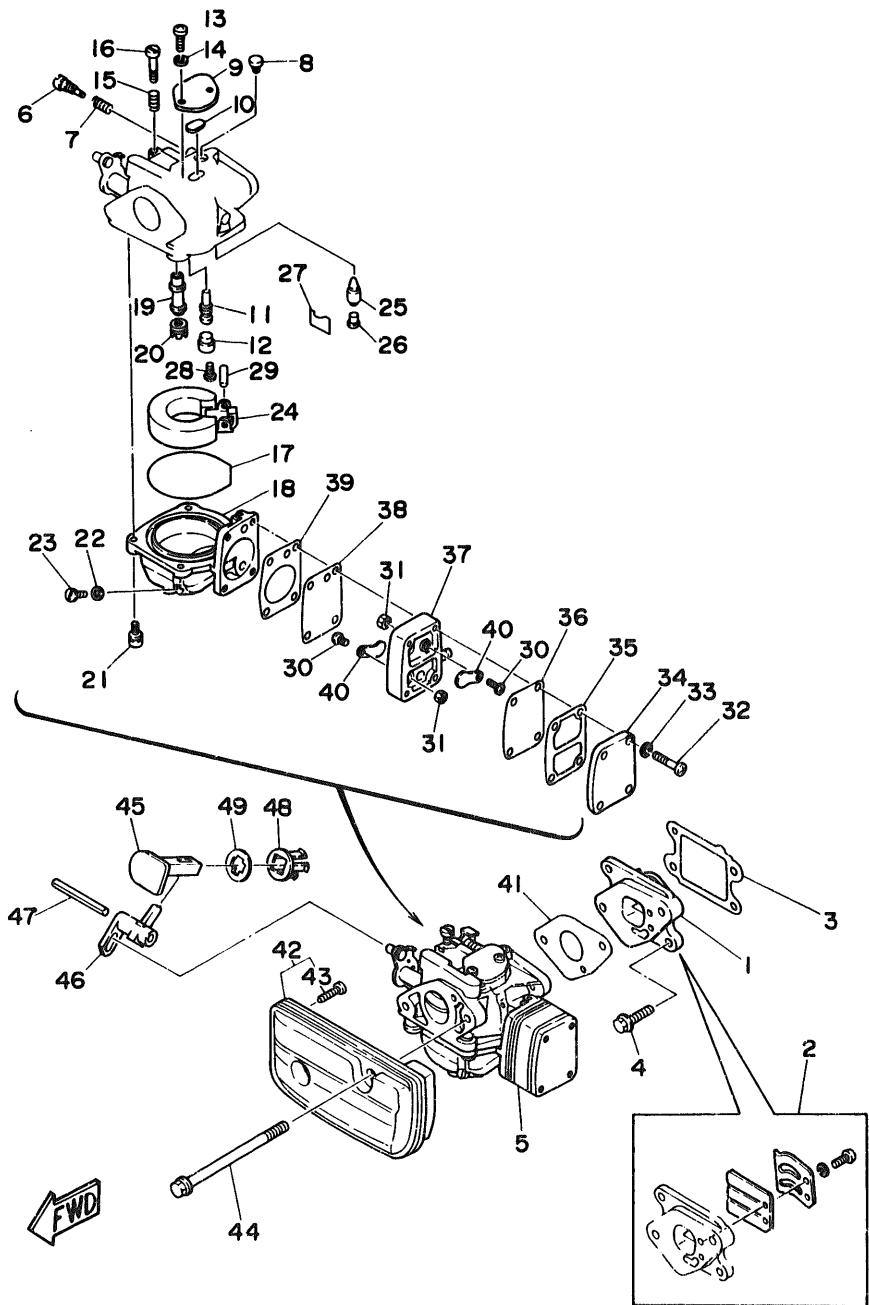
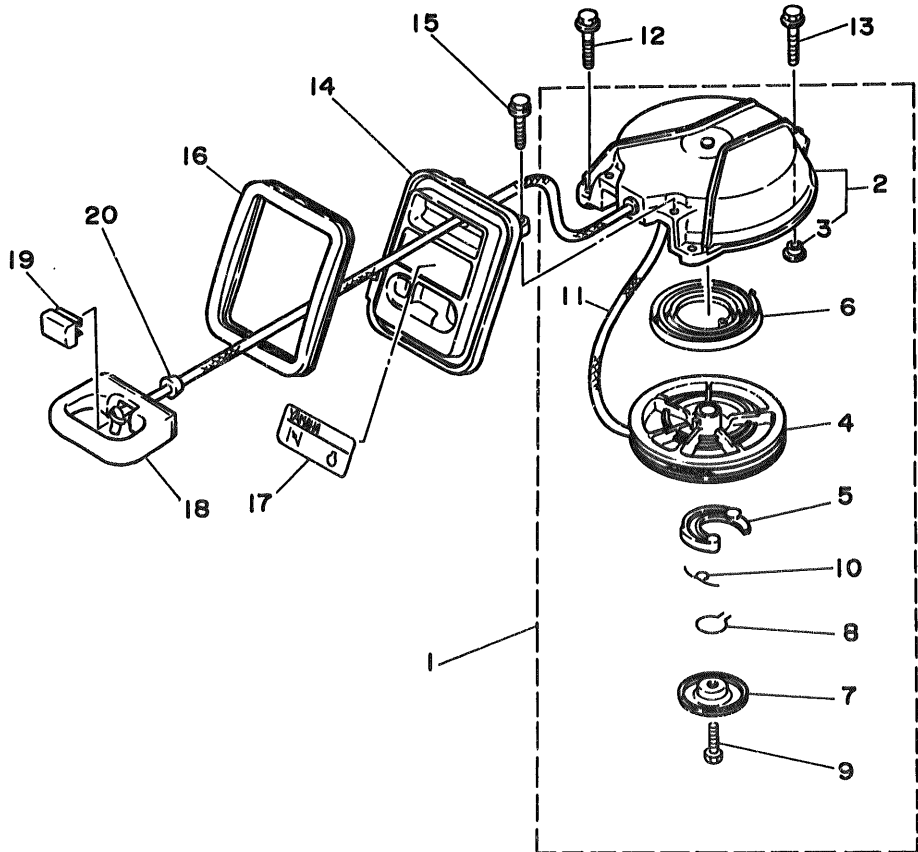


Fig. 2 INTAKE

Ref.No.	Parts No.	Description	Q'ty	Ref.No.	Parts No.	Description	Q'ty
1	6L5-13610-00	REED VALVE ASSY	1	26	676-14186-00	.PIN, float	1
2	6L5-W0004-00	.REED SET	1	27	663-14159-00	.CLIP	1
3	6L5-13621-00	GASKET, valve seat	1	28	98501-04008	.SCREW, pan head	1
4	90105-06M14	BOLT, washer based	2	29	688-14548-00	.PIN, float arm	1
5	6L5-14301-00	CARBURETOR ASSY 1	1	30	98902-03006	.SCREW, bind	2
6	679-14923-00	.SCREW, pilot	1	31	90179-03478	.NUT	2
7	679-14555-00	.SPRING	1	32	98580-04025	.SCREW, pan head	4
8	6G1-14966-00	.CAP	1	33	92903-04100	.WASHER, spring	4
9	6G1-14527-00	.PLATE	1	34	6G1-24452-00	.COVER	1
10	6G1-14126-00	.GASKET	1	35	6G1-24432-00	.GASKET, fuel pump 2	1
11	6L5-14948-03	.JET (#40)	1	36	6G1-24471-00	.DIAPHRAGM	1
12	676-14966-00	.CAP	1	37	6G1-24412-00	.BODY 1	1
13	97803-04010	.SCREW, pan head	2	38	6G1-24411-00	.DIAPHRAGM	1
14	92903-04100	.WASHER, spring	2	39	6G1-24431-00	.GASKET, fuel pump 1	1
15	90501-10326	.SPRING, compression	1	40	6L5-24421-00	.VALVE, check	2
16	663-14523-00	.SCREW, stop	1	41	6L5-14198-00	GASKET	1
17	6G1-14984-00	.O-RING	1	42	6L5-14440-00	SILENCER ASSY, intake	1
18	6G1-14980-01	.BODY, float chamber	1	43	97780-40716	.SCREW, tapping	3
19	6L5-14947-00	.JET, needle	1	44	90105-06M39	BOLT, washer based	2
20	676-14943-13	.JET, main (#65)	1	45	6L5-41271-20	KNOB, choke	1
21	90159-04M00	.SCREW, with washer	4	46	6L5-41252-00	LEVER, choke	1
22	6G1-14398-00	.WASHER	1	47	91690-40048	PIN, spring	1
23	6G1-14992-00	.SCREW, drain	1	48	689-41273-00	GROMMET	1
24	6G1-14985-00	.FLOAT	1	49	6J8-41274-00	GROMMET 2	1
25	6G1-14546-00	.VALVE, needle	1				

Fig. 3 STARTER

Ref.No.	Parts No.	Description	Q'ty	Ref.No.	Parts No.	Description	Q'ty
1	6L5-15710-00	STARTER ASSY	1	11	*	.WIRE (L:1650MM)	1
2	6L5-15711-00	.CASE, starter	1	12	90105-06M15	BOLT, washer based	2
3	90387-06M70	..COLLAR	1	13	90105-06M16	BOLT, washer based	1
4	6L5-15714-00	.DRUM, sheave	1	14	6L5-15758-00-98	GUIDE, rope	1
5	6L5-15741-00	.PAWL, drive	1	15	90105-06M14	BOLT, washer based	2
6	6L5-15713-00	.SPRING, starter	1	16	6L5-15761-00	SEAL, rubber 1	1
7	6L5-15716-00	.PLATE, drive	1	17	6L5-42677-00	GRAPHIC, front	1
8	6A1-15705-00	.SPRING, drive pawl	1	18	6L5-15755-00	HANDLE, starter	1
9	97313-06012	.BOLT	1	19	6L5-15779-00	COVER	1
10	6A1-15767-00	.SPRING	1	20	6L5-15789-00	DAMPER	1

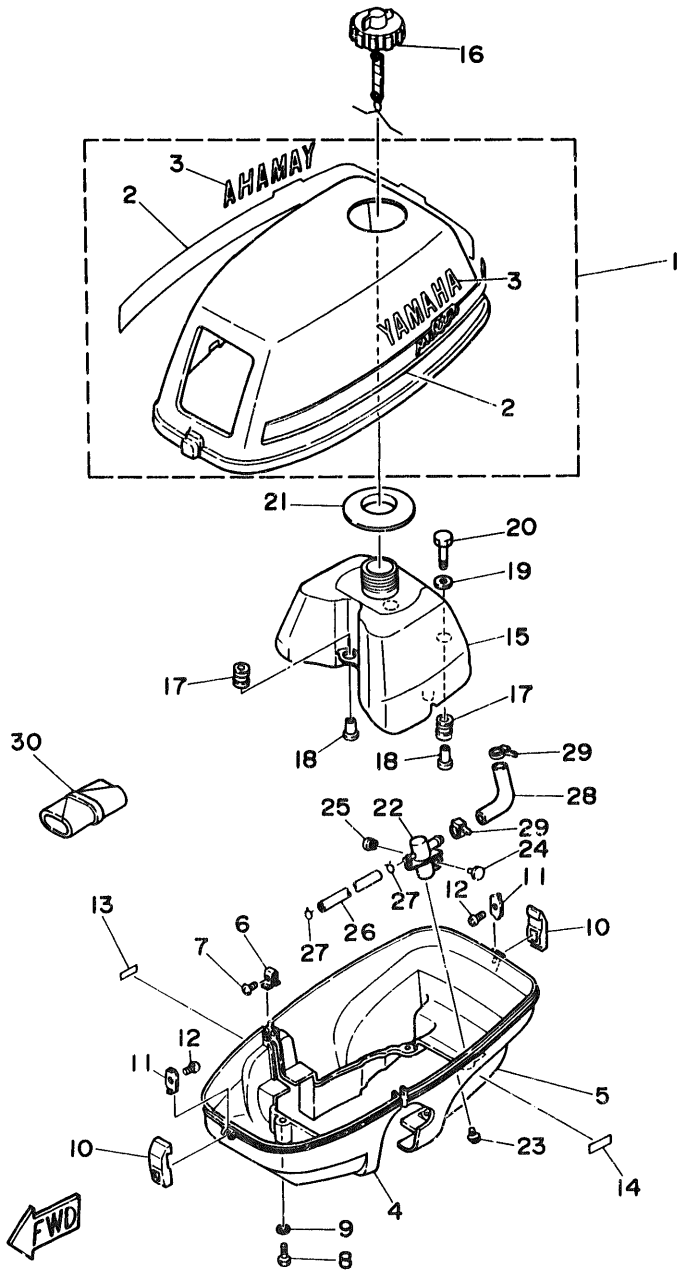


* Cut from 50m rolls, parts No. 90790-77002, cutting length 1.65m.



Fig. 4 COWLING. FUEL

Ref.No.	Parts No.	Description	Q'ty	Ref.No.	Parts No.	Description	Q'ty
1	6L5-42610-20	TOP COWLING ASSY	1	16	6L5-24610-20	CAP ASSY	1
2	6L5-W0070-20	.GRAPHIC SET	1	17	6A0-82317-00	DAMPER, ignition coil	3
3	6L5-42681-20	.MARK, cowling	2	18	624-42542-00	PIPE	3
4	6L5-42711-20	COWLING, bottom	1	19	90201-06050	WASHER, plate	2
5	6L5-42712-20	COWLING, bottom	1	20	97313-06030	BOLT	2
6	6L5-42774-00	STAY, apron 1	2	21	6L5-24641-00	GASKET, cap 1	1
7	98580-05010	SCREW, pan head	2	22	6L5-24500-00	FUEL COCK ASSY 1	1
8	97395-06016	BOLT	4	23	90159-06M10	SCREW, with washer	1
9	92990-06600	WASHER, plate	4	24	6L5-44196-20	INDICATOR 3	1
10	6L5-42647-00	HOLDER, clamp band	2	25	6L5-44197-20	INDICATOR 4	1
11	6L5-42823-00	PLATE, stop	2	26	6L5-24311-00	PIPE, fuel 1	1
12	90167-03M02	SCREW, tapping	2	27	90467-08004	CLIP	2
13	6L5-44191-00	INDICATOR, shift	1	28	6L5-24312-00	PIPE 2	1
14	6L5-24591-00	EMBLEM, fuel cock	1	29	90465-13M11	CLAMP	2
15	6L5-24111-00	TANK, fuel	1	30	6E0-28100-01	TOOL KIT	1



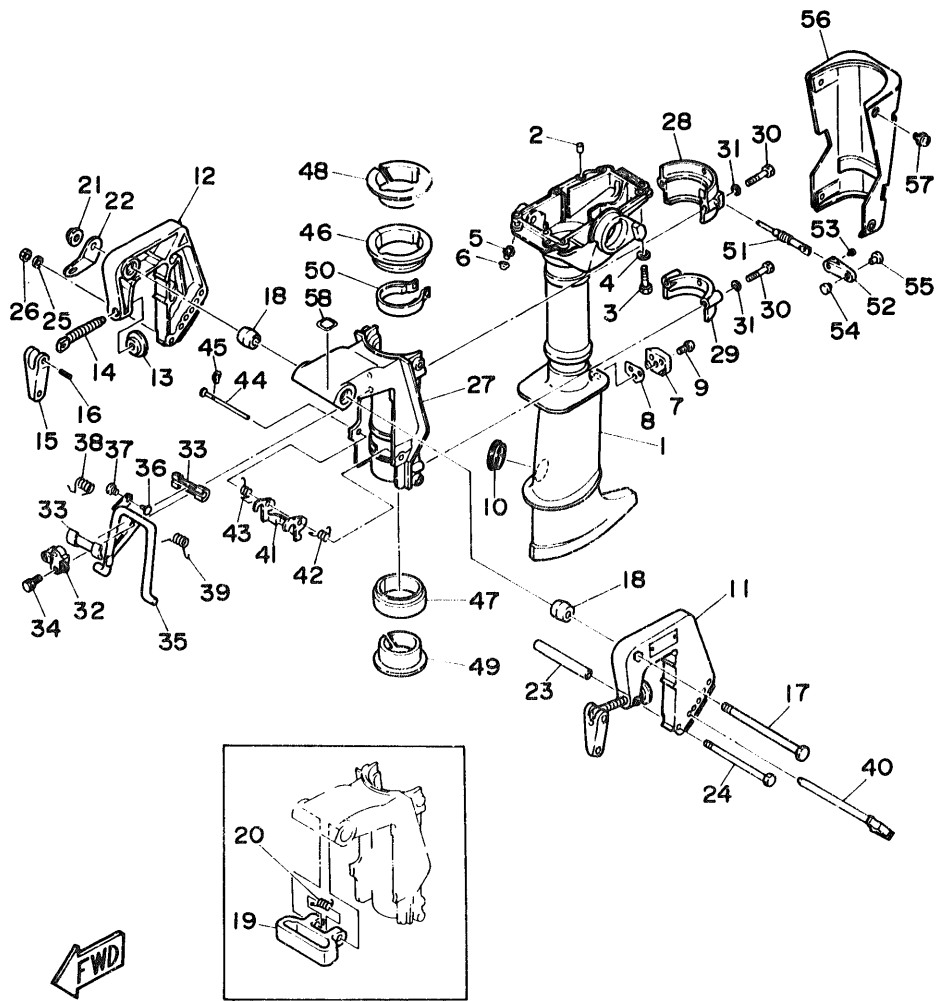


Fig. 5 UPPER CASING. BRACKET

Ref.No.	Parts No.	Description	Q'ty	Ref.No.	Parts No.	Description	Q'ty
1	6L5-45111-00-EJ	CASING, upper	1	30	97395-06035	BOLT	4
2	93604-10M03	PIN, dowel	2	31	92990-06600	WASHER, plate	4
3	97395-06030	BOLT	6	32	6E0-43313-00-94	BRACKET, swivel	1
4	92990-06600	WASHER, plate	6	33	620-43189-00	BUSHING	2
5	93700-06004	NIPPLE, grease	1	34	95895-06020	BOLT, flange	2
6	663-45119-00	CAP, grease nipple	1	35	6L5-43181-60	LEVER, tilt stop	1
7	6L5-45152-00	COVER, upper casing 2	1	36	6L5-44196-20	INDICATOR 3	1
8	6L5-45115-00	GASKET, upper casing	1	37	6L5-44197-20	INDICATOR 4	1
9	90149-05M08	SCREW	1	38	90508-16020	SPRING, torsion	1
10	647-45151-01	COVER, upper casing	1	39	90508-16021	SPRING, torsion	1
11	6L5-43111-00-EJ	BRACKET, clamp	1	40	6L5-43160-00	TIILT ROD ASSY	1
12	6L5-43112-00-EJ	BRACKET, clamp	1	41	6L5-43614-00	PLATE, tilt lock	1
13	648-43114-01	PAD, transom clamp	2	42	90508-08M26	SPRING, torsion	1
14	6E0-43116-00	SCREW, transom clamp	2	43	90508-08M27	SPRING, torsion	1
15	6E0-43118-00	HANDLE, transom clamp	2	44	6L5-43659-00	SHAFT, reverse lock	1
16	90254-04M00	PIN, spring	2	45	99080-05600	CIRCLIP	1
17	90101-08M10	BOLT	1	46	6L5-42537-00	BUSHING, pivot shaft	1
18	6G1-43136-00	PIECE, friction	2	47	6L5-42538-00	BUSHING, pivot shaft	1
19	6L5-42121-00	BRACKET	1	48	6L5-42539-00	BUSHING, pivot shaft	1
20	90508-16M30	SPRING, torsion	1	49	6L5-42549-00	BUSHING, pivot shaft	1
21	90185-08057	NUT, self-locking	1	50	6E0-42528-03	PLATE, friction	1
22	6A1-43113-00	PLATE, clamp bracket	1	51	6L5-42529-00	SCREW, friction piece	1
23	90387-06M11	COLLAR	1	52	6L5-42561-00	KNOB, steering lock	1
24	90101-06335	BOLT	1	53	90266-04M05	RIVET	1
25	92990-06600	WASHER, plate	1	54	6L5-44196-20	INDICATOR 3	1
26	95380-06600	NUT	1	55	6L5-44197-20	INDICATOR 4	1
27	6L5-43311-00-EJ	BRACKET, swivel	1	56	6L5-43318-20	COVER	1
28	6L5-44511-00-EJ	COVER, upper mount	1	57	90159-06M10	SCREW, with washer	4
29	6L5-44553-00-EJ	COVER, lower mount	1	58	6A1-42792-01	MARK	1

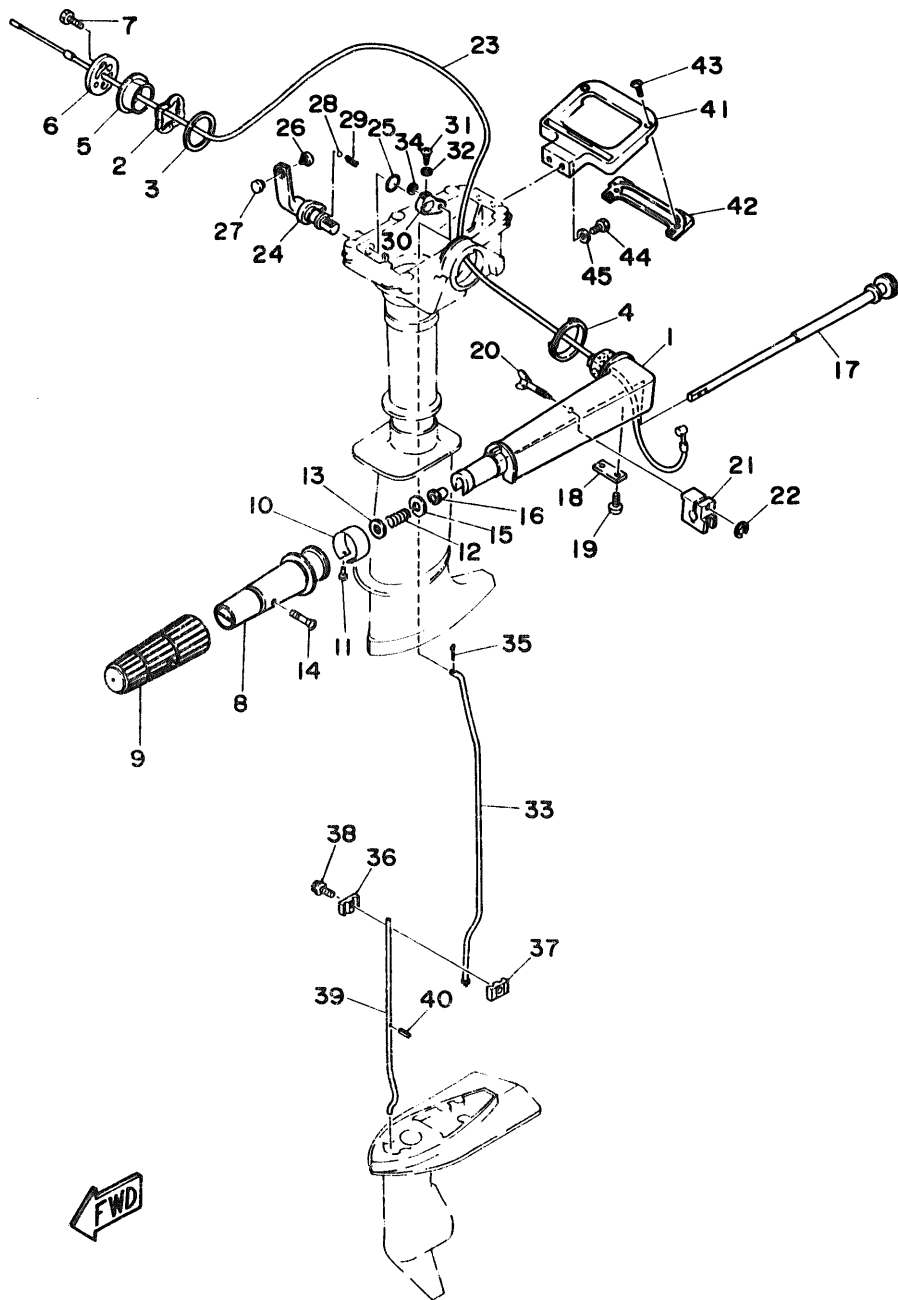


Fig. 6 CONTROL

Ref.No.	Parts No.	Description	Q'ty	Ref.No.	Parts No.	Description	Q'ty
1	6G1-42111-03-EJ	HANDLE, steering	1	24	6L5-44111-00	HANDLE, gear shift	1
2	90206-35M11	WASHER, wave	1	25	93210-12327	O-RING	1
3	90202-35M24	WASHER, plate	1	26	6L5-44196-20	INDICATOR 3	1
4	90386-43M79	BUSH	1	27	6L5-44197-20	INDICATOR 4	1
5	90386-34M40	BUSH	1	28	93505-16024	BALL	1
6	6G1-42131-01	COVER, handle steering	1	29	90501-12274	SPRING, compression	1
7	97395-06016	BOLT	1	30	6L5-44121-00	LEVER, shift rod	1
8	664-42119-00	GRIP, steering handle	1	31	97780-40520	SCREW, tapping	1
9	6G1-42177-00	RUBBER, handle	1	32	92990-04600	WASHER, plate	1
10	6L5-42137-20	INDICATOR, throttle	1	33	6L5-44143-00	ROD, shift	1
11	90269-02001	RIVET	1	34	92990-05600	WASHER, plate	1
12	90501-23215	SPRING, compression	1	35	91490-16010	PIN, cotter	1
13	92990-10600	WASHER, plate	1	36	6E0-44145-00	CONNECTOR, shift rod	1
14	90149-05M06	SCREW	1	37	6E0-44146-00	CONNECTOR, shift rod	1
15	90209-08M17	WASHER	1	38	95895-06020	BOLT, flange	1
16	90386-08032	BUSH	1	39	6L5-44144-00	ROD, shift (Short)	1
17	6G1-42138-01	LEVER, throttle	1		6L5-44144-10	ROD, shift (Long)	1
18	6E0-42159-01	STAY	1	40	91609-25014	PIN, spring	1
19	98580-05012	SCREW, pan head	2	41	6L5-42731-00-EJ	CARRYING HANDLE	1
20	6L5-42125-00	BOLT, friction adjusting	1	42	6L5-42735-20	PROTECTOR	1
21	6G1-42126-00	FRICITION, steering handle grip	1	43	90161-04M02	SCREW, tapping	2
22	99080-03600	CIRCLIP	1	44	97395-06020	BOLT	2
23	6L5-26301-00	THROTTLE CABLE ASSY	1	45	92990-06600	WASHER, plate	2

B1

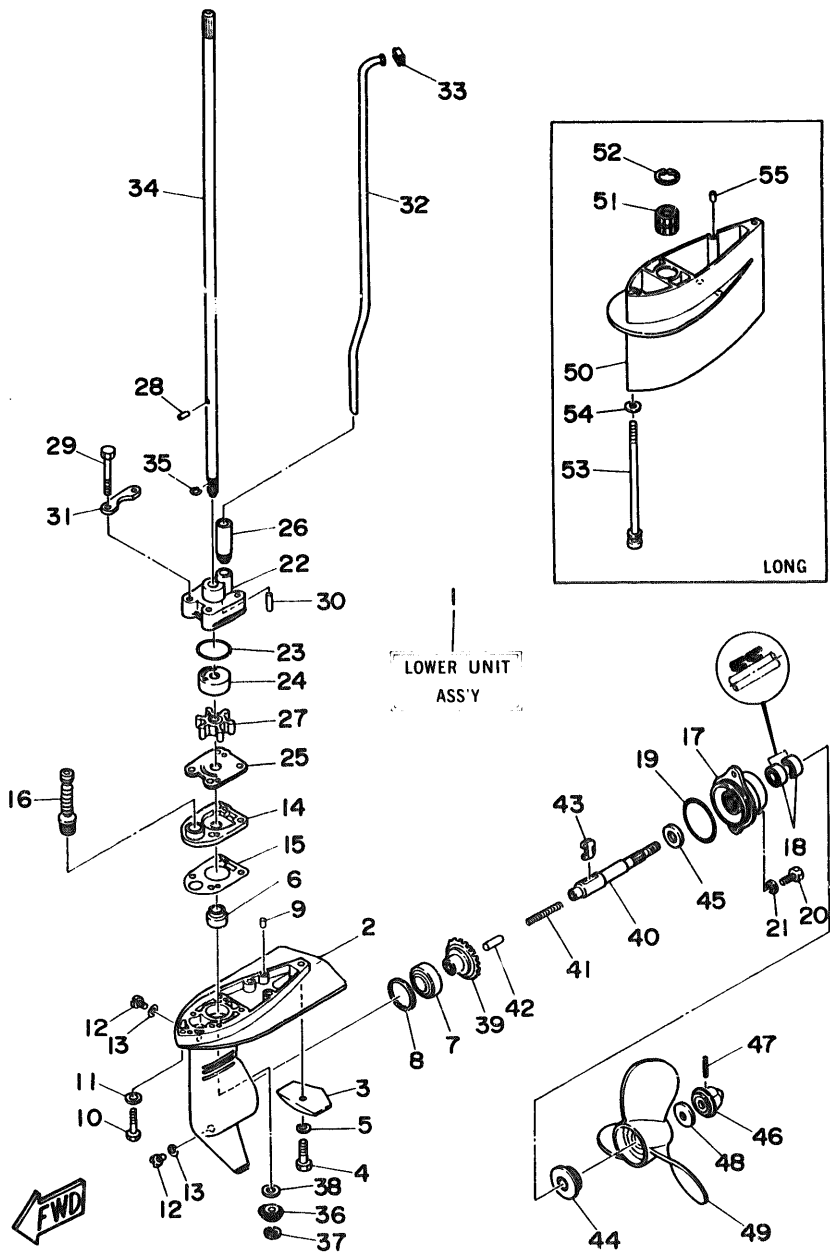
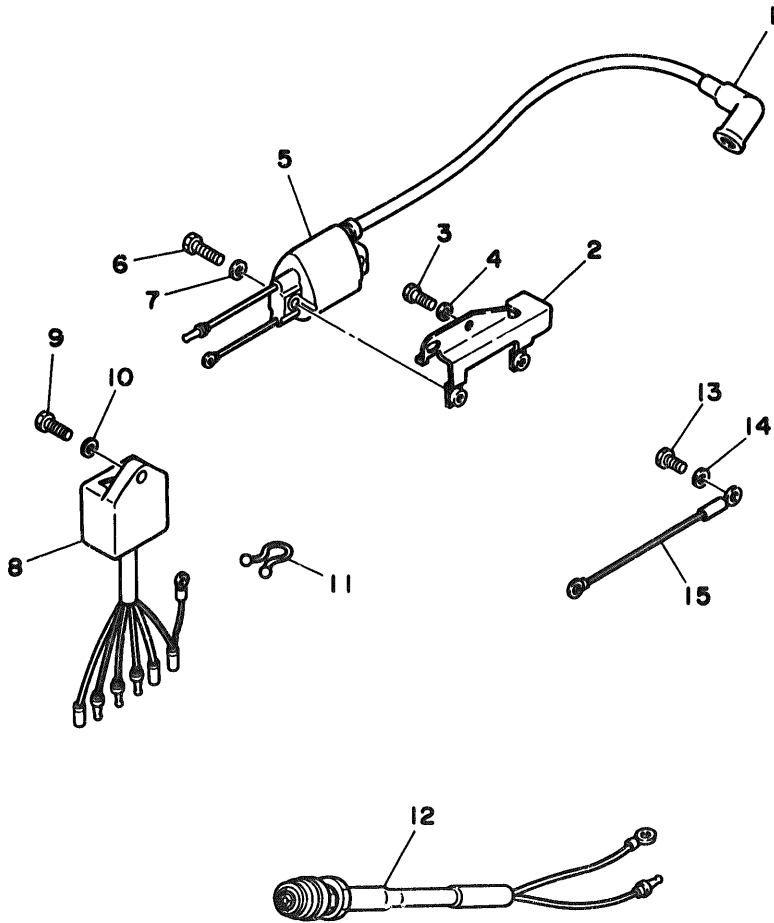


Fig. 7 LOWER CASING. DRIVE 1

Ref.No.	Parts No.	Description	Q'ty	Ref.No.	Parts No.	Description	Q'ty
1	6L5-45300-00-EJ	LOWER UNIT ASSY (Short) (Ref.No. 2 to 8, 12 to 31 and 34 to 43)	1 UR	31	6L5-44328-00	PLATE	2
	6L5-45300-10-EJ	LOWER UNIT ASSY (Long) (Ref.No. 2 to 8, 12 to 31 and 34 to 43)	1 UR	32	6L5-44361-00	TUBE, water (Short)	1 UR
2	6L5-45311-00-EJ	CASING, lower	1		6L5-44361-10	TUBE, water (Long)	1 UR
3	6L5-45251-00	ANODE	1	33	646-44365-00	DAMPER, water seal	1
4	97395-06030	BOLT (Short)	1 UR	34	6L5-45511-00	SHAFT, drive (Short)	1 UR
	90101-06M18	BOLT (Long)	1 UR		6L5-45511-10	SHAFT, drive (Long)	1 UR
5	92990-06600	WASHER, plate (Short)	1	35	90467-07M12	CLIP	1
6	93103-09M41	OIL SEAL	1	36	6L5-45551-00	PINION	1
7	93316-003U0	BEARING, cylindrical	1	37	99001-06600	CIRCLIP	1
8	6L5-45567-00	SHIM	1 UN	38	6L5-45533-00-20	SHIM (T:2.0MM)	1 UR
9	93604-10M03	PIN, dowel	2		6L5-45533-00-21	SHIM (T:2.1MM)	1 UR
10	97395-06030	BOLT	3		6L5-45533-00-22	SHIM (T:2.2MM)	1 UR
11	92990-06600	WASHER, plate	3		6L5-45533-00-23	SHIM (T:2.3MM)	1 UR
12	90340-08M04	PLUG, straight screw	2	39	6L5-45560-00	GEAR	1
13	90430-08O20	GASKET	2	40	6L5-45611-00	SHAFT, propeller	1
14	6L5-45321-00-EJ	PLATE	1	41	90501-10O64	SPRING, compression	1
15	6L5-45315-00	PACKING, lower casing	1	42	6L5-45635-00	PLUNGER, shift	1
16	6L2-44147-00	BOOT, shift rod	1	43	6L5-45631-00	CLUTCH, dog	1
17	6L5-45361-00-EJ	CAP, lower casing	1	44	6L5-45987-00	SPACER	1
18	93101-13M12	OIL SEAL	2	45	90201-13I98	WASHER, plate	1
19	93210-48214	O-RING	1	46	6L5-45616-00	NUT, propeller	1
20	97395-06016	BOLT	2	47	91490-25O30	PIN, cotter	1
21	92990-06600	WASHER, plate	2	48	90201-08M54	WASHER, plate	1
22	6L5-44311-00	HOUSING, water pump	1	49	6L5-45943-00-EL	PROPELLER (3X7-1/4"X6"-BS)	1 UR
23	93210-33M85	O-RING	1		6L5-45945-00-EL	PROPELLER (3X7-1/4"X7-1/4"-BS)	1 UR
24	6L5-44322-00	INSERT, cartridge	1		6L5-45947-00-EL	PROPELLER (3X7-1/4"X8-1/4"-B)	1 UR
25	6L5-44323-00	OUTER PLATE, cartridge	1	50	6L5-45211-00-EJ	EXTENSION (Long)	1
26	6E0-44366-00	DAMPER, water seal	1	51	6L5-45318-00	BUSHING, drive shaft (Long)	1
27	6L5-44352-00	IMPELLER	1	52	93420-22M03	CIRCLIP	1
28	93604-07M13	PIN, dowel	1	53	90101-06M18	BOLT	3
29	97395-06040	BOLT	4	54	92990-06600	WASHER, plate	3
30	93604-18O80	PIN, dowel	2	55	93604-10M03	PIN, dowel	2

Fig. 9 ELECTRICAL 1

Ref.No.	Parts No.	Description	Q'ty	Ref.No.	Parts No.	Description	Q'ty
1	6G1-82370-20	PLUG CAP ASSY	1	9	97313-06016	BOLT	1
2	6L5-82316-00	BRACKET, ignition coil	1	10	92990-06600	WASHER, plate	1
3	97313-06016	BOLT	2	11	90465-18147	CLAMP	1
4	92990-06600	WASHER, plate	2	12	6L5-82550-00	STOP SWITCH ASSY	1
5	6L5-85570-N0	IGNITION COIL ASSY	1	13	97313-06012	BOLT	1
6	92503-06015	SCREW, pan head	2	14	92990-06600	WASHER, plate	1
7	92990-06600	WASHER, plate	2	15	662-82519-00	WIRE, earth lead	1
8	6L5-85540-M0	C.D.I. UNIT ASSY	1				



FWD

B4

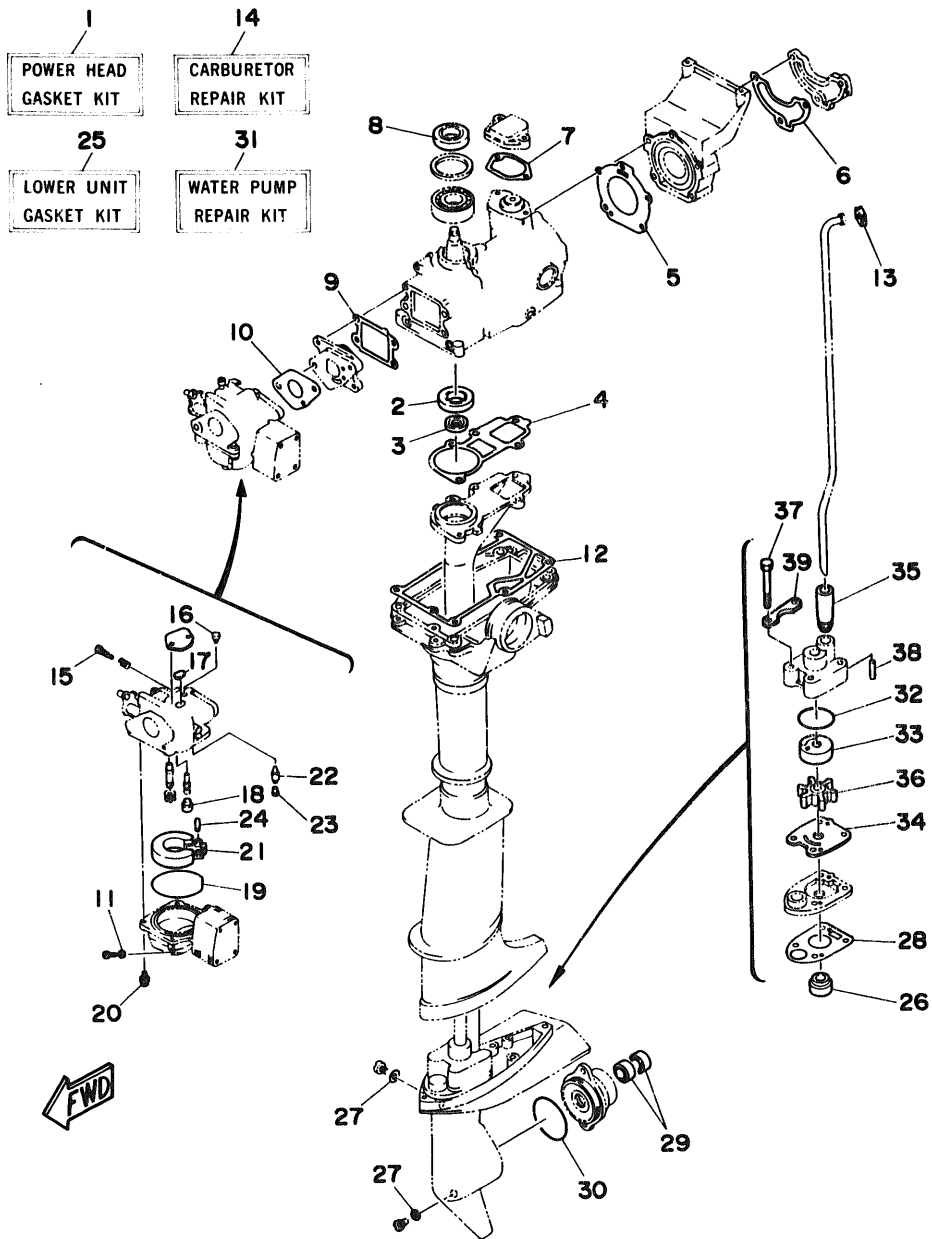


Fig. 10 REPAIR KIT

Ref.No.	Parts No.	Description	Q'ty	Ref.No.	Parts No.	Description	Q'ty
1	6L5-W0001-00	POWER HEAD GASKET KIT	1	21	6G1-14985-00	.FLOAT	1
2	93101-20M29	.OIL SEAL	1	22	6G1-14546-00	.VALVE, needle	1
3	93101-09M42	.OIL SEAL	1	23	676-14186-00	.PIN, float	1
4	6L5-15369-00	.GASKET, oil seal housing	1	24	688-14548-00	.PIN, float arm	1
5	6L5-11181-00	.GASKET, cylinder head 1	1	25	6L5-W0001-20	LOWER UNIT GASKET KIT	1
6	6L5-11193-00	.GASKET, head cover 1	1	26	93103-09M41	.OIL SEAL	1
7	6L5-12414-00	.GASKET, cover	1	27	90430-08020	.GASKET	2
8	93101-20M34	.OIL SEAL	1	28	6L5-45315-00	.PACKING, lower casing	1
9	6L5-13621-00	.GASKET, valve seat	1	29	93101-13M12	.OIL SEAL	2
10	6L5-14198-00	.GASKET	1	30	93210-48214	.O-RING	1
11	6G1-14398-00	.WASHER	1	31	6L5-W0078-00	WATER PUMP REPAIR KIT	1
12	6L5-45113-00	.GASKET, upper casing	1	32	93210-33M85	.O-RING	1
13	646-44365-00	.DAMPER, water seal	1	33	6L5-44322-00	.INSERT, cartridge	1
14	6G1-W0093-00	CARBURETOR REPAIR KIT	1	34	6L5-44323-00	.OUTER PLATE, cartridge	1
15	679-14923-00	.SCREW, pilot	1	35	6E0-44366-00	.DAMPER, water seal	1
16	6G1-14966-00	.CAP	1	36	6L5-44352-00	.IMPELLER	1
17	6G1-14126-00	.GASKET	1	37	97395-06040	.BOLT	4
18	676-14966-00	.CAP	1	38	93604-18080	.PIN, dowel	2
19	6G1-14984-00	.O-RING	1	39	6L5-44328-00	.PLATE	2
20	90159-04M00	.SCREW, with washer	1				

NUMERICAL INDEX

PART NO.	REF. NO.	PART NO.	REF. NO.	PART NO.	REF. NO.	PART NO.	REF. NO.	PART NO.	REF. NO.	PART NO.	REF. NO.
6L5-W0001-00	10- 1	6G1-14546-00	10-22	6L5-24591-00	4-14	6L5-43311-00-EJ	5-27	6L5-45300-00-EJ	7- 1	90105-06M16	8 8
6L5-W0001-20	10-25	688-14548-00	2-29	6L5-24610-20	4-16	6E0-43313-00-94	5-32	6L5-45300-10-EJ	7- 1	90105-06M39	2-44
6L5-W0004-00	2- 2		10-24	6L5-24641-00	4-21	6L5-43318-20	5-56	6L5-45311-00-EJ	7- 2	90105-06M40	9 9
6L5-W0070-20	4- 2	679-14555-00	2- 7	6L5-26301-00	6-23	6L5-43614-00	5-41	6L5-45315-00	7-15	90149-05M06	6-14
6L5-W0078-00	10-31	679-14923-00	2- 6	6E0-28100-01	4-30	6L5-43659-00	5-44		10-28	90149-05M08	5- 9
6L5-W0090-00-EJ	1 1		10-15	6L5-41252-00	2-46	6L5-44111-00	6-24	6L5-45318-00	7-51	90159-04M00	2-21
6G1-W0093-00	10-14	676-14943-13	2-20	6L5-41271-20	2-45	6L5-44121-00	6-30	6L5-45321-00-EJ	7-14		10-20
6L5-11111-00-94	16 16	6L5-14947-00	2-19	689-41273-00	2-48	6L5-44143-00	6-33	6L5-45361-00-EJ	7-17	90159-04035	8-11
6L5-11181-00	10- 5	6L5-14948-03	2-11	6J8-41274-00	2-49	6L5-44144-00	6-39	6L5-45511-00	7-34	90159-04036	8-10
	17 17	6G1-14966-00	2- 8	6G1-42111-03-EJ	6- 1	6L5-44144-10	6-39	6L5-45511-10	7-34	90159-05037	8- 9
6L5-11191-00-9M	20 20		10-16	664-42119-00	6- 8	6E0-44145-00	6-36	6L5-45533-00-20	7-38	90159-05038	8- 8
6L5-11193-00	10- 6	676-14966-00	2-12	6L5-42121-00	5-19	6E0-44146-00	6-37	6L5-45533-00-21	7-38	90159-06M10	4-23
	21 21		10-18	6L5-42125-00	6-20	6L2-44147-00	7-16	6L5-45533-00-22	7-38		5-57
6E5-11372-00	4 4	6G1-14980-01	2-18	6G1-42126-00	6-21	6L5-44191-00	4-13	6L5-45533-00-23	7-38	90161-04M02	6-43
6L5-11400-00	31 31	6G1-14984-00	2-17	6G1-42131-01	6- 6	6L5-44196-20	4-24	6L5-45551-00	7-36	90167-03M02	4-12
6L5-11412-00	32 32		10-19	6L5-42137-20	6-10		5-36	6L5-45560-00	7-39	90170-10113	8-16
6L5-11422-00	33 33	6G1-14985-00	2-24	6G1-42138-01	6-17		5-54	6L5-45567-00	7- 8	90179-03478	2-31
6L5-11610-00	42 42		10-21	6E0-42159-01	6-18		6-26	6L5-45611-00	7-40	90185-08057	5-21
6L5-11610-10	42 42	6G1-14992-00	2-23	6G1-42177-00	6- 9	6L5-44197-20	4-25	6L5-45616-00	7-46	90201-06050	4-19
6L5-11610-20	42 42	6L5-15100-00-94	2 2	6E0-42528-03	5-50		5-37	6L5-45631-00	7-43	90201-08M54	7-48
6L5-11631-00-96	41 41	6L5-15369-00	10- 4	6L5-42529-00	5-51		5-55	6L5-45635-00	7-42	90201-10269	8-17
6L5-11633-00	44 44		13 13	6L5-42537-00	5-46		6-27	6L5-45943-00-EL	7-49	90201-13198	7-45
6L5-11635-00	41 41	6L5-15396-00-94	10 10	6L5-42538-00	5-47	6L5-44311-00	7-22	6L5-45945-00-EL	7-49	90201-32M00	39 39
6L5-11636-00	41 41	6A1-15705-00	3- 8	6L5-42539-00	5-48	6L5-44322-00	7-24	6L5-45947-00-EL	7-49	90201-32M01	40
6L5-11651-00	34 34	6L5-15710-00	3- 1	624-42542-00	4-18		10-33	6L5-45987-00	7-44	90202-35M24	6- 3
6L5-11681-00	35 35	6L5-15711-00	3- 2	6L5-42549-00	5-49	6L5-44323-00	7-25	6E0-81328-70	8- 7	90206-35M11	6- 2
6E5-12411-00	26 26	6L5-15713-00	3- 6	6L5-42561-00	5-52		10-34	6E0-81336-70	8- 6	90209-08M17	6-15
6L5-12413-00-9M	27 27	6L5-15714-00	3- 4	6L5-42610-20	4- 1	6L5-44328-00	7-31	6L5-82316-00	9- 2	90254-04M00	5-16
6L5-12414-00	10- 7	6L5-15716-00	3- 7	6L5-42647-00	4-10		10-39	6A0-82317-00	4-17	90266-04M05	5-53
	28 28	6L5-15741-00	3- 5	6L5-42677-00	3-17	6L5-44352-00	7-27	6G1-82370-20	9- 1	90269-02001	6-11
6L5-13610-00	2- 1	6L5-15755-00	3-18	6L5-42681-20	4- 3		10-36	662-82519-00	9-15	90280-04M06	8-15
6L5-13621-00	2- 3	6L5-15758-00-98	3-14	6L5-42711-20	4- 4	6L5-44361-00	7-32	6L5-82550-00	9-12	90340-08M04	7-12
	10- 9	6L5-15761-00	3-16	6L5-42712-20	4- 5	6L5-44361-10	7-32	6L5-85520-M0	8- 3	90386-08032	6-16
6G1-14126-00	2-10	6A1-15767-00	3-10	6L5-42731-00-EJ	6-41	646-44365-00	7-33	6L5-85540-M0	9- 8	90386-34M40	6- 5
	10-17	6L5-15771-00-94	8-12	6L5-42735-20	6-42		10-13	6L5-85550-M0	8- 1	90386-43M79	6- 4
663-14159-00	2-27	6L5-15779-00	3-19	6L5-42774-00	4- 6	6E0-44366-00	7-26	6L5-85560-M0	8- 2	90387-06M11	5-23
676-14186-00	2-26	6L5-15789-00	3-20	6A1-42792-01	5-58		10-35	6L5-85570-M0	9- 5	90387-06M70	3- 3
	10-23	6L5-24111-00	4-15	6L5-42823-00	4-11	6L5-44511-00-EJ	5-28	6L5-85592-M0	8- 5	90430-08020	7-13
6L5-14198-00	2-41	6L5-24311-00	4-26	6L5-43111-00-EJ	5-11	6L5-44553-00-EJ	5-29	6L5-85595-M0	8- 4		10-27
	10-10	6L5-24312-00	4-28	6L5-43112-00-EJ	5-12	6L5-45111-00-EJ	5- 1	90101-06M18	7- 4	90445-07M29	5 5
6L5-14301-00	2- 5	6G1-24411-00	2-38	6A1-43113-00	5-22	6L5-45113-00	10-12		7-53	90446-10M01	8-13
6G1-14398-00	2-22	6G1-24412-00	2-37	648-43114-01	5-13		46 46	90101-06335	5-24	90465-13M11	4-29
	10-11	6L5-24421-00	2-40	6E0-43116-00	5-14	6L5-45115-00	5- 8	90101-08M10	5-17	90465-18147	9-11
6L5-14440-00	2-42	6G1-24431-00	2-39	6E0-43118-00	5-15	663-45119-00	5- 6	90105-06M14	2- 4	90467-06016	6 6
624-14485-00	3 3	6G1-24432-00	2-35	6G1-43136-00	5-18	647-45151-01	5-10		3-15	90467-07M12	7-35
663-14523-00	2-16	6G1-24452-00	2-34	6L5-43160-00	5-40	6L5-45152-00	5- 7		8-14	90467-08004	4-27
6G1-14527-00	2- 9	6G1-24471-00	2-36	6L5-43181-00	5-35	6L5-45211-00-EJ	7-50	90105-06M15	3-12	90501-10064	7-41
6G1-14546-00	2-25	6L5-24500-00	4-22	620-43189-00	5-33	6L5-45251-00	7- 3	90105-06M16	3-13	90501-10326	2-15

NUMERICAL INDEX

PART NO.	REF. NO.	PART NO.	REF. NO.	PART NO.	REF. NO.	PART NO.	REF. NO.	PART NO.	REF. NO.	PART NO.	REF. NO.
90501-12274	6-29	93210-33M85	10-32	98580-05012	6-19						
90501-23215	6-12	93210-48214	7-19	98902-03006	2-30						
90508-08M26	5-42		10-30	99001-06600	7-37						
90508-08M27	5-43	93306-204U0	37 37	99080-03600	6-22						
90508-16M30	5-20	93310-112U0	43 43	99080-05600	5-45						
90508-16020	5-38	93310-416F7	36 36								
90508-16021	5-39	93316-003U0	7- 7								
90790-77002	3-11	93420-22M03	7-52								
91490-16010	6-35	93450-13022	45 45								
91490-25030	7-47	93505-16024	6-28								
91609-25014	6-40	93604-07M13	7-28								
91690-40048	2-47	93604-10M03	5- 2								
92503-06015	9- 6		7- 9								
92903-04100	2-14		7-55								
	2-33	93604-18080	7-30								
92990-04600	6-32		10-38								
92990-05600	6-34	93606-12019	7 7								
92990-06600	4- 9	93700-06004	5- 5								
	5- 4	94702-00274	47 47								
	5-25	95380-06600	5-26								
	5-31	95895-06020	5-34								
	6-45		6-38								
	7- 5	97313-06012	3- 9								
	7-11		9-13								
	7-21	97313-06016	9- 3								
	7-54		9- 9								
	9- 4	97313-06020	22 22								
	9- 7		29 29								
	9-10	97313-06028	18 18								
	9-14	97313-06030	4-20								
	15 15	97313-06050	24 24								
	19 19	97395-06016	4- 8								
	23 23		6- 7								
	25 25		7-20								
	30 30	97395-06020	6-44								
92990-10600	6-13		14 14								
93101-09M42	10- 3	97395-06030	5- 3								
	12 12		7- 4								
93101-13M12	7-18		7-10								
	10-29	97395-06035	5-30								
93101-20M29	10- 2	97395-06040	7-29								
	11 11		10-37								
93101-20M34	10- 8	97780-40520	6-31								
	38 38	97780-40716	2-43								
93103-09M41	7- 6	97803-04010	2-13								
	10-26	98501-04008	2-28								
93210-12327	6-25	98580-04025	2-32								
93210-33M85	7-23	98580-05010	4- 7								