

2B

GA1-28198-ED

**2B**

serial no.

2B: 000101 and up

### INTERCHANGEABILITY MARK

Whether or not there is interchangeability between the parts having the previous and new parts numbers is indicated by interchangeability marks.

Ref.No.	Parts No.	Description	Q'ty
1	6A1-45111-00-F6	CASING, upper	1
2	* 97395-06030	BOLT	1
	* 97375-06030	BOLT	1
3	92990-06600	WASHER	1

Interchangeability Mark

\* Indicates new parts number

▶ } This mark is indicated serial number of marginal notes.

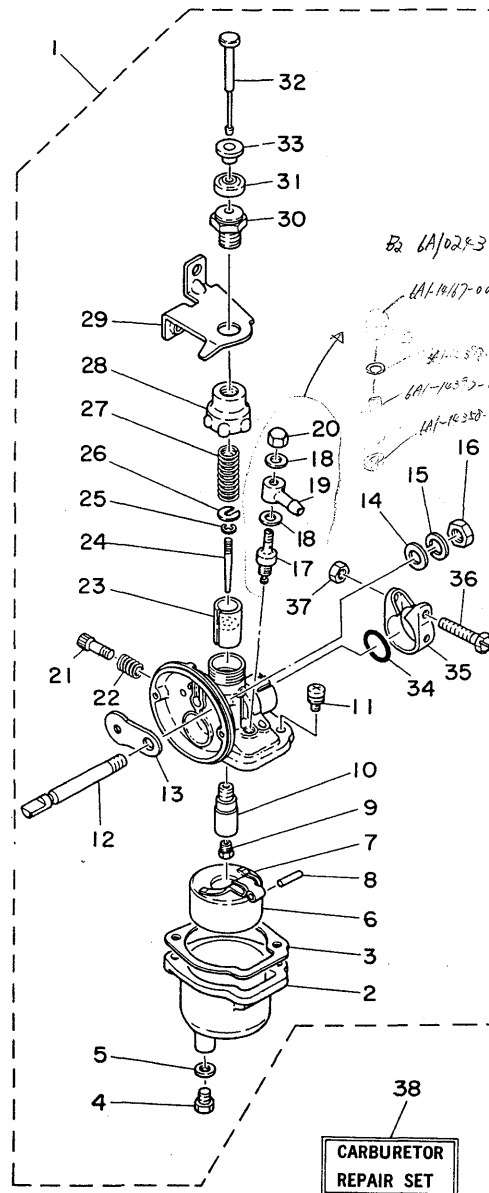
Mark A : The both new and previous parts are able to use for either previous or new engines.

Mark B : Not interchangeable, refer to serial number of marginal notes for ordering or using of parts.

Mark C : Interchangeable, but the previous parts are not able to use for new engines.

### REPAIR KIT

POWER HEAD GASKET KIT .....	6A1-W0001-00
LOWER UNIT GASKET KIT .....	6A1-W0001-21
REED SET .....	6A1-W0004-00
WATER PUMP REPAIR KIT .....	6A1-W0078-01
CRANK CYLINDER ASS'Y .....	6A1-W0090-60
CARBURETOR REPAIR SET .....	6A1-W0093-00
LOWER UNIT ASS'Y .....	6A1-45300-00-F6



Ref.No.	Parts No.	Description	Q'ty
1	6A1-14301-00	CARBURETOR ASS'Y	1
2	6A1-14381-00	BODY, float chamber	1
3	646-14384-00	GASKET, float chamber	1
4	6A1-14394-00	VALVE, drain	1
5	6A1-14398-00	GASKET	1
6	646-14385-00	FLOAT	1
7	646-14387-00	ARM, float	1
8	646-14386-00	PIN, float	1
9	646-14343-48	JET, main (#96)	1
10	6A1-14341-00	NOZZLE, main	1
11	98503-04010	SCREW, panhead	2
12	6A1-14448-00	LEVER, choke valve	1
13	6A1-14217-00	VALVE, choke	1
14	646-14357-00	WASHER	1
15	6A1-14356-00	WASHER	1
16	646-14358-00	NUT	1
17	646-14390-01-00	VALVE SEAT ASS'Y	1
18	646-14198-00	GASKET	2
19	646-14167-00	CONNECTOR	1
20	646-14393-00	NUT, crown	1
21	646-14211-02	SCREW, pilot adjusting	1
22	646-14212-01	SPRING, pilot adjusting	1
23	646-14312-01	VALVE, throttle	1
24	6A1-14116-00	NEEDLE	1
25	646-14137-00	CLIP	1
26	646-14136-00	SEAT, spring	1
27	646-14331-01	SPRING, throttle valve	1
28	646-14158-00	TOP, mixing chamber	1
29	6A1-14497-00	STAY, throttle wire	1
30	646-14321-00	SCREW, throttle	1
31	646-14169-00	CAP	1
32	6A1-14314-00	BAR, throttle	1
33	6A1-14163-00	SPACER	1
34	646-14229-01	O-RING	1
35	6A1-14127-00	CLIP, outlet	1
36	646-14125-01	SCREW, body fitting	1
37	6A1-14358-00	NUT	1
38	6A1-W0093-00	CARBURETOR REPAIR SET	15

■ Contents of power head gasket kit (Parts No. 6A1-W0001-00)  
 \* Contents of carburetor repair set



Fig. 3 COWLING & FUEL SECTION '80/'81

COWLING & FUEL SECTION '80/'81

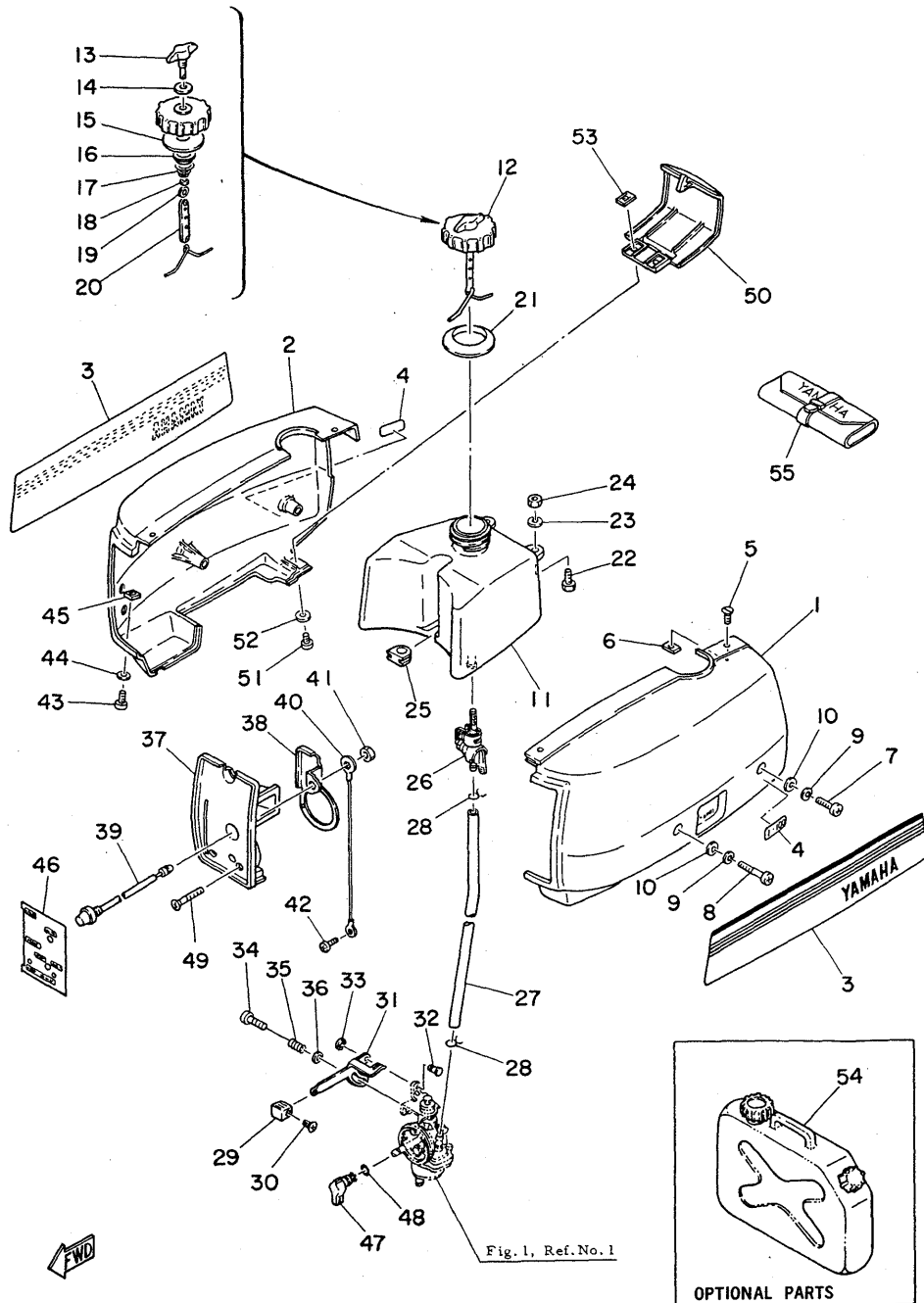
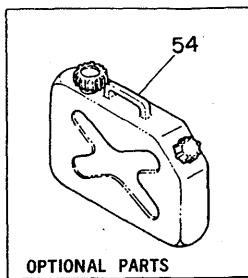


Fig. 1, Ref. No. 1

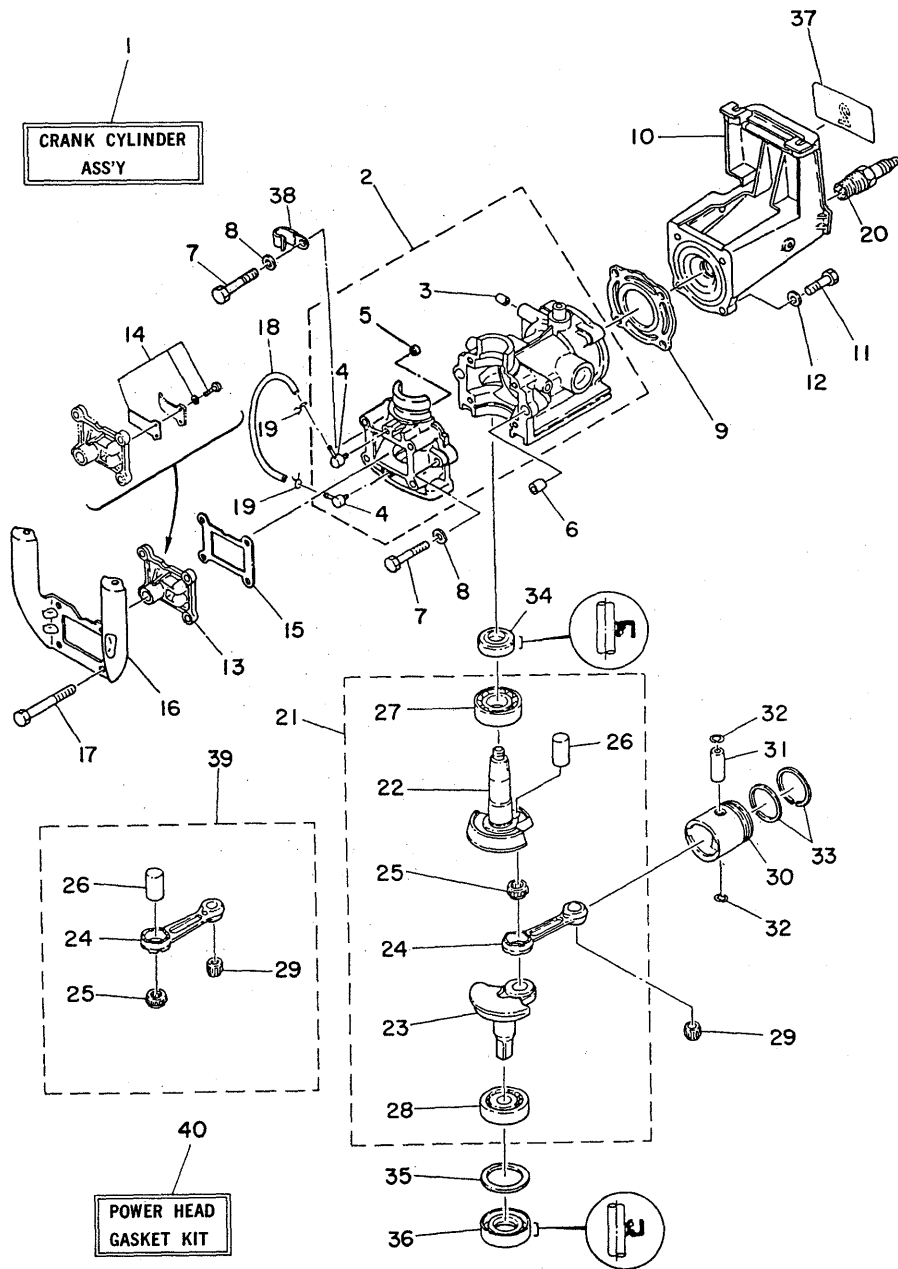


Ref.No.	Parts No.	Description	Q'ty	Ref.No.	Parts No.	Description	Q'ty
1	6A1-42741-00	APRON 1	1	29	6A1-41637-00	KNOB, magneto control	1
2	6A1-42771-00	APRON 2	1	30	98780-03010	SCREW, ovalhead tapping	1
3	6A1-W0070-00	GRAPHIC SIDE SET	1S	31	6A1-41212-00	ARM, accel.	1
4	646-42783-80	GRAPHIC, side	2	32	6A1-14365-00	PIN, clevis	1
5	98280-05012	SCREW, flathead	2	33	93430-04003	CIRCLIP (E-46)	1
6	90183-05M00	NUT, spring	2	34 *	97803-05025	SCREW, panhead	1
7	97890-06025	SCREW, panhead	2	*	98503-05025	SCREW, panhead	1
8	97890-06040	SCREW, panhead	2	35	90501-12M16	SPRING, compression	1
9	92990-06100	WASHER	4	36	92990-05200	WASHER	1
10	92990-06600	WASHER	4	37	6A1-14441-00	SILENCER	1
11	6A1-24110-00	FUEL TANK COMP.	1	38	6A1-14442-00	SPACER 1	1
12	646-24610-03	CAP ASS'Y	1	39	6A1-82550-00	STOP SWITCH ASS'Y	1
13	620-24631-02	SCREW, air	1	40	6A1-82541-00	WIRE, lead	1
14	90430-04005	GASKET	1	41	95390-08700	NUT	1
15	90430-14117	PACKING	1	42	98501-05008	SCREW, panhead	1
16	646-24615-01	GASKET, plate 1	1	43	97890-05010	SCREW, panhead	2
17	90501-10374	SPRING, compression	1	44	92990-05600	WASHER	2
18	92902-04200	WASHER	1	45	90173-05M00	NUT	2
19	90501-10260	SPRING, safety	1	46	6A1-42677-00	GRAPHIC, front	1
20	646-24241-00	INDICATOR 1	1	47	6A1-41271-00	KNOB, choke	1
21	646-24198-00	SEAT, rubber	1	48	93210-08M29	O-RING (1.36-7.66)	1
22	97313-06018	BOLT	2	49	98680-04035	SCREW, ovalhead	2
23	90201-06M30	WASHER	2	50	6A1-82375-00	COVER, plug cap	1
24	95303-06600	NUT	2	51	97890-05610	SCREW, panhead @ 6A1-2333	2
25	6A1-24181-00	DAMPER, locating	1	52	92990-05600	WASHER	2
26	6A1-24500-00	FUEL COCK ASS'Y	1	53	90183-05M00	NUT, spring	2
27	6A1-24311-00	HOSE (56-96-200mm)	1	54	806-24200-00	FUEL TANK COMP. (Optional)	1
28	90467-08004	CLIP	2	55	6A1-28100-60	TOOL ASS'Y	1

- \* New parts number
- \* Not shown
- Contents of power head gasket kit (Parts No. 6A1-W0001-00)

Fig. 4 CRANKCASE, CYLINDER & PISTON -'80/'81

CRANKCASE, CYLINDER & PISTON -'80/'81



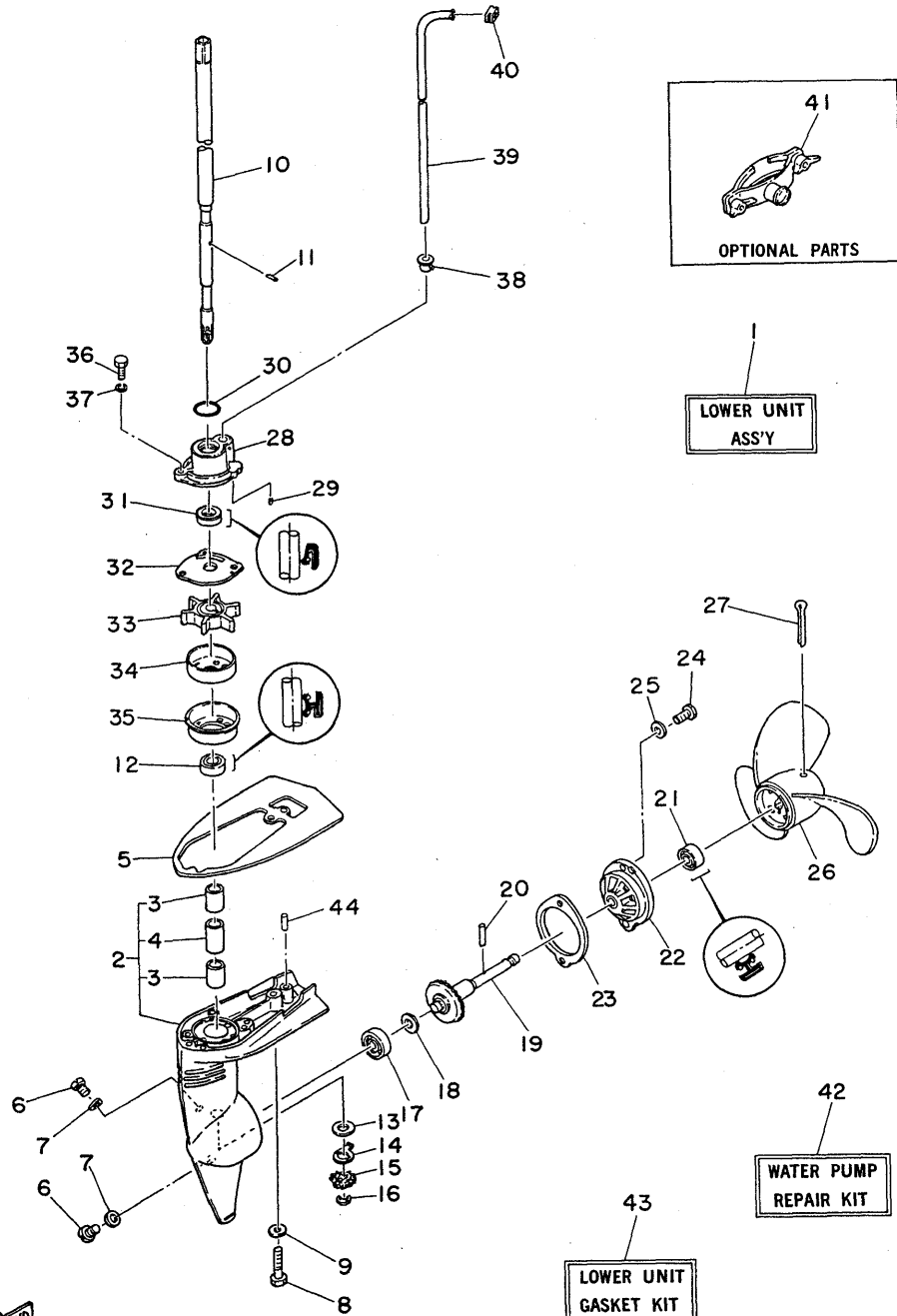
Ref.No.	Parts No.	Description	Q'ty	Ref.No.	Parts No.	Description	Q'ty	
1	6A1-W0090-60	CRANK CYLINDER ASS'Y (Ref. No. 2 to 15, 17 to 36)	1	25	93310-31439	BEARING, con-rod big end	1	
2	6A1-15100-60-94	CRANKCASE ASS'Y	1	26	646-11681-00	PIN, crank	1	
3	90336-06001	PLUG, blind 1	1	27	93306-00409	BEARING (B6004)	1	
4	650-14485-02	PIPE, joint	2	28	93306-30204	BEARING (B6302)	1	
5	624-11379-00	VALVE CHECK 1	1	29	93310-21038	BEARING, con-rod small end	1	
6	91830-21014	PIN, dowel A (6.46-106-14mm)	2	30	646-11631-01-97	PISTON (Standard 38.97mm)	U.R. 1	
7	97313-06040	BOLT	2	646-11631-01-98	PISTON (Standard 38.98mm)	1		
8	92903-06600	WASHER	2	*	646-11635-01	PISTON (Over Size 39.25mm)	1	
9	646-11181-01	GASKET, cylinder head	1	*	646-11636-01	PISTON (Over Size 39.50mm)	1	
10	6A1-11111-00-94	HEAD, cylinder	1	31	646-11633-00	PIN, piston	1	
11	* 97395-06025	BOLT	4	A	32	93450-11021	CLIP	2
	* 97375-06025	BOLT	4		33	646-11601-01	PISTON RING SET (Standard)	15
12	92990-06600	WASHER	4	*	646-11601-11	PISTON RING SET (Over Size 39.25mm)	15	
13	6A1-13610-00	REED VALVE ASS'Y	1	*	646-11601-21	PISTON RING SET (Over Size 39.50mm)	15	
14	6A1-W0004-00	REED SET	1	34	93102-20070	OIL SEAL (SD-206-306-7mm)	1	
15	6A1-13621-00	PACKING, valve seat	1	35	90201-35300	WASHER (356-456-1.0mm)	1	
16	6A1-15771-00	STAY 1	1	36	93102-15085	OIL SEAL (SD-156-426-8mm)	1	
17	97313-06060	BOLT	4	37	* 6A1-42678-80	GRAPHIC, rear	1	
18	90445-07254	HOSE (2.56-76-118mm)	1	* 6A1-42678-00	GRAPHIC, rear	1	A	
19	90467-06016	CLIP	2	38	* 90465-08028	CLAMP		1
20	94701-00039	PLUG, spark (B-6HS) NGK	U.R. 1	39	646-11650-01	CONNECTING ROD ASS'Y	15	
	94701-00069	PLUG, spark (B-5HS) NGK		40	6A1-W0001-00	POWER HEAD GASKET KIT	15	
21	6A1-11400-00	CRANK ASS'Y	1					
22	646-11412-01	CRANK 1	1					
23	6A1-11422-00	CRANK 2	1					
24	646-11651-01	ROD, connecting 1	1					

▷ 28: 002611 and up  
 ▶ 28: 013136 and up  
 ◀ 28: 013135 and below

\* New parts number  
 \* Not shown  
 ■ Contents of power head gasket kit



Fig. 5. LOWER & DRIVE -'80/'81



Ref.No.	Parts No.	Description	Q'ty	Ref.No.	Parts No.	Description	Q'ty	
1	6A1-45300-00-F6	LOWER UNIT ASS'Y (Ref. No. 2 to 19, 21 to 25, 28 to 38)	15	▲ 23	646-45363-00	GASKET, lower casing cap	1	
2	6A1-45310-00-F6	LOWER CASING ASS'Y	1	24 *	97390-06014	BOLT	2	
3	646-45316-09	BUSHING, drive shaft 1	2	* 97370-06014	BOLT	2	]A	
4	90387-11319	BUSHING, drive shaft 2	2	25	92990-06600	WASHER		2
5	6A1-45181-00-F6	PLATE	1	26	6A1-45943-00-36	PROPELLER ASS'Y 2 (3X7½"X4"-A)	2	
6	90340-08014	PLUG	2	646-45942-00-36	PROPELLER 1 (3X7½"X5½"-A)	} U.R.	1	
▲ 7	90430-08020	GASKET	2	646-45944-00-36	PROPELLER 2 (3X7½"X4½"-A)		1	
8 *	97395-06030	BOLT	1	27	91490-30040	PIN, cotter	1	
* 97375-06030	BOLT	1	▲ 28 *	6A1-44312-00	COVER, water pump housing	1	]C	
9	92990-06600	WASHER	1	* 646-44312-02-94	COVER, water pump housing	1		
10	6A1-45510-00	DRIVE SHAFT ASS'Y	1	* 29	93604-09068	PIN, dowel B (3.56-9mm)	2	
11	93604-09066	PIN, dowel B (3.56-9mm)	1	▲ * 30	93210-19123	O-RING (2.46-196)	1	
▲ 12	93103-11051	OIL SEAL (SW-116-216-8mm)	1	▷ * 31 *	93103-11051	OIL SEAL (SW-116-216-8mm)	1	]B
13	646-45534-00-03	THRUST WASHER (0.3mm)	} U.R.	▲ * 32	93101-11042	OIL SEAL (S-116-216-6mm)	1	
	646-45534-00-05	THRUST WASHER (0.5mm)		1	* 32	646-44323-00	OUTER PLATE, cartridge	1
14	90214-11010	WASHER (11.36-186-1.5mm)	1	* 33	646-44352-01	IMPELLER	1	
15	646-45551-00	PINION (13T)	1	* 34	646-44322-00	INSERT, cartridge	1	
16	93430-06005	CLIP (E-66)	1	* 35	6A1-44325-00	PROTECTOR, oil seal	1	
17	93306-00001	BEARING (B6000)	1	* 36 *	97390-05016	BOLT	2	]A
18	646-45567-00-03	SHIM, gear adjust 1 (0.3mm)	} U.R.	* 97370-05016	BOLT	2		
	646-45567-00-05	SHIM, gear adjust 1 (0.5mm)		1	37	92990-05100	WASHER	2
19	646-45560-00	GEAR 1 ASS'Y (27T)	1	* 38	646-44366-01	RUBBER, water seal 2	1	
20	90250-03002	PIN, share	1	39	646-44361-00	TUBE, water 1	1	
21	93103-10052	OIL SEAL (SW-104-216-10mm)	1	■ 40	646-44365-00	RUBBER, water seal 1	1	
22	646-45360-00-F6	LOWER CASING CAP ASS'Y	1	41	646-28193-00	PLUG, water check (Optional)	1	
				▷ * 42 *	6A1-W0078-01	WATER PUMP REPAIR KIT	1	]B
				▷ * 43 *	6A1-W0001-21	LOWER UNIT GASKET KIT	1	
				▷ * 44 *	6A1-W0001-20	LOWER UNIT GASKET KIT	1	]B
				44	93605-18M04	PIN, dowel B (56-18mm)	2	

◁ 28-008800 and below ▷ 28-008801 and up

- \* New parts number
- \* Not shown
- Contents of power head gasket kit (Parts No. 6A1-W0001-00)
- ▲ Contents of lower unit gasket kit
- ★ Contents of water pump repair kit

Fig. 6 UPPER CASING '80/'81

Ref.No.	Parts No.	Description	Q'ty
1	6A1-45111-00-F6	CASING, upper	1
2 *	97395-06030	BOLT	1
※	97375-06030	BOLT	1
3	92990-06600	WASHER	1
4	646-45113-00	GASKET, upper casing	1
▲ 5	93210-19123	O-RING (2.46-196)	1
■ 6	646-14623-01	GASKET, exhaust 2	1
7 *	6A1-41137-00-9M	GUIDE, exhaust	1
※	6A1-41137-00-94	GUIDE, exhaust	1
■ 8	6A1-14613-00	GASKET, exhaust 1	1
9	93605-15065	PIN, dowel B (56-15mm)	2
10 *	97395-06025	BOLT	6
※	97375-06025	BOLT	6
11	92990-06600	WASHER	6
12	646-42111-01-F6	HANDLE, steering	1
13	646-42112-00-F6	HANDLE, steering (Optional)	1
14	646-42119-02	GRIP, steering handle	1
15	90101-08094	BOLT	1
16	92990-08100	WASHER	1
17	92990-08200	WASHER	1
18	90201-09117	WASHER (96-206-0.5mm)	2
19	95380-08600	NUT	1
20	646-42591-00	HOLDER, share pin	1
21	646-42121-00	BRACKET, carrying (Optional)	1
22 *	97395-06055	BOLT	2
※	97375-06055	BOLT	2
23	92990-06100	WASHER	2

\* New parts number

※ Not shown

■ Contents of power head gasket kit (Parts No. 6A1-W0001-00)

▲ Contents of lower unit gasket kit (Parts No. 6A1-W0001-21)

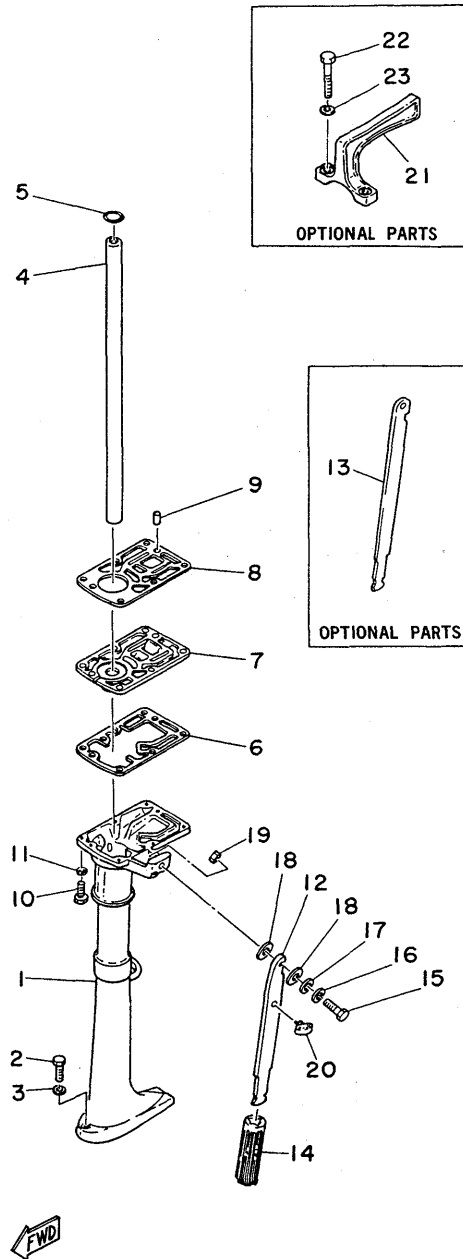
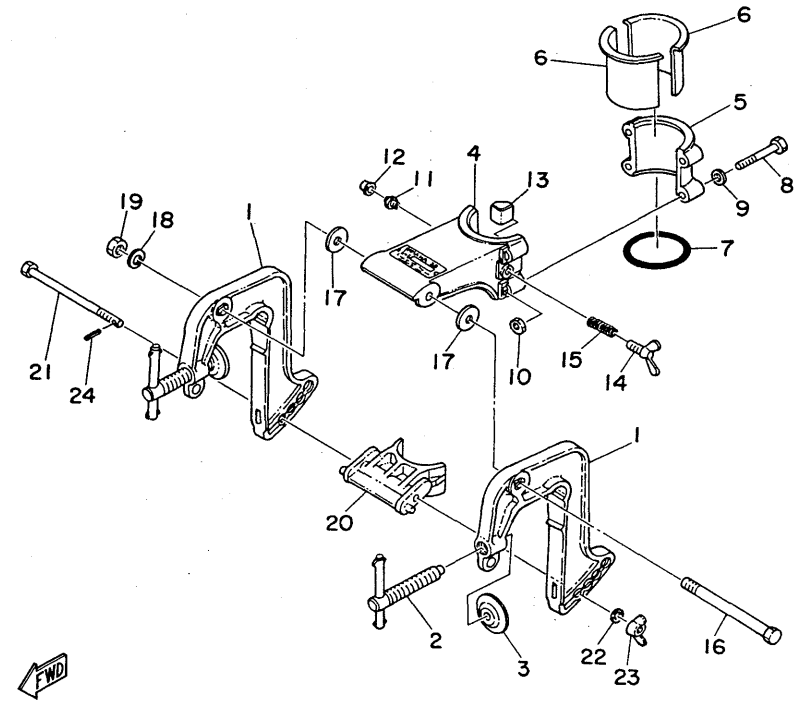


Fig. 7 BRACKET '80/'81



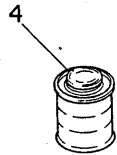
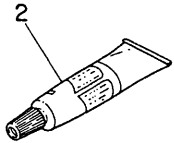
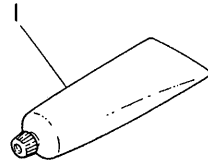
Ref.No.	Parts No.	Description	Q'ty	Ref.No.	Parts No.	Description	Q'ty
1	6A1-43111-00-F6	BRACKET, clamp	2	13	646-42528-00	PIECE, friction	1
2	6A1-43105-00	TRANSOM CLAMP HANDLE ASS'Y	2	14	90122-06004	BOLT, wing	1
3	648-43114-01	PAD, transom clamp	2	15	90501-12272	SPRING	1
4	6A1-43311-00-F6	BRACKET, swivel 1	1	16	90101-08217	BOLT	1
5	6A1-43312-00-F6	BRACKET, swivel 2	1	17	90202-08022	WASHER (8.56-246-1.5mm)	2
6	646-42537-01	BUSHING, pivot shaft	2	18	92990-08100	WASHER	1
7	93210-46044	O-RING (36-46.26)	1	19	95380-08600	NUT	1
8 *	97395-06045	BOLT	4	20	6A1-43351-00	RECEIVER, thrust	1
※	97375-06045	BOLT	4	21	6A1-43371-00	BOLT, receiver	1
9	92990-06600	WASHER	4	22	90201-06040	WASHER (6.56-126-2.0mm)	1
10	95380-06600	NUT	4	23	90175-06008	NUT, wing	1
11	93700-06004	NIPPLE, grease	1	24	91690-20006	PIN, spring	1
12	663-45119-00	CAP, grease nipple	1				

\* New parts number

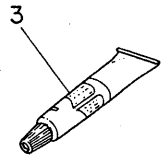
※ Not shown

# Fig. 8 ACCESSORY PARTS-'80/'81

Ref.No.	Parts No.	Description	Q'ty
1	90890-69908	YAMAHA GREASE C (150g)	U.R.



Ref.No.	Parts No.	Description	Q'ty
<b>YAMAHA BOND</b>			
2	90890-05143	YAMAHA BOND 4 (200g)	} U.R.
3	90890-05144	YAMAHA BOND 5 (150g)	
4	90890-05074	YAMAHA BOND 7 (100g)	



Ref.No.	Parts No.	Description	Q'ty
<b>YAMAHA GREASE</b>			
5	90890-69910	YAMAHA GREASE A (50g)	} U.R.
6	90890-69911	YAMAHA GREASE A (250g)	
7	90890-69912	YAMAHA GREASE A (4Kg)	

