

**PARTS
CATALOGUE
CATALOGUE
DE PIECES DETACHEES**

40VMO '01_(63B0)/40VMHO'01_(63B0)

40VEO '01_(63C0)/40VETO '01_(63D0)

40YETO '01_(68P1)/40YMHO'01_(68P2)

50HEDO'01_(62X1)

FOREWORD

This Parts Catalogue is related to the parts for the model(s) in the below frame. When you are ordering replacement parts, please refer to this Parts Catalogue and quote both part numbers and part names correctly.

40VMO'01(63B0), 40VMHO'01(63B0), 40VEO'01(63C0), 40VETO'01(63D0),
40YETO'01(68P1), 40YMHO'01(68P2), 50HEDO'01(62X1)

1. Modifications or additions which have been made after issue of the Parts Catalogue will be announced in the Yamaha Parts News.
It is advisable that you make necessary corrections to the Parts Catalogue according to the Yamaha Parts News.

2. Abbreviations

The Following abbreviations are used in this Parts Catalogue.

"UR" Use specified parts number.

"UN" Use as many as needed.

"AP" Alternate Parts

"LM" Local Made

(Parts need to be ordered locally)

"O/S" Over Size

3. Parts, which are to be supplied in an assembly, are listed with a dot(.) in front of the part name as shown below.

EXAMPLE

CARBURETOR ASSY

.JET, PILOT

.NOZZLE, MAIN

4. Number of component for assembly

The numeral appearing to the right of each component part indicates the quantity of parts for each assembly unit.

EXAMPLE

PART NO.	DESCRIPTION	U	U	U	U	REMARKS
6E0-85500-70	C.D.I. MAGNETO ASSY	1				
6E0-85550-70	.ROTOR ASSY	1				
6E0-15723-00-94.	PULLY, STARTER	1				

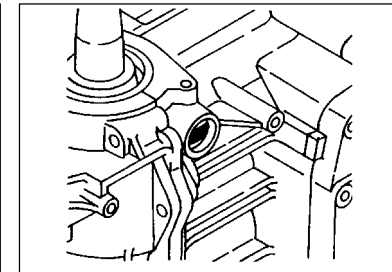
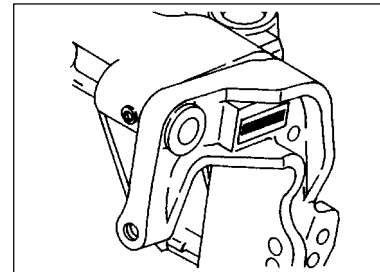
5. Quantity Column Information

NAME for Q'TY COLUMN	APPLICABLE MODEL
EDO	50HEDO
ETO	40VETO, 40YETO
EO	40VEO
MO	40VMO
MHO	40VMHO, 40YMHO

6. Applicable Starting Serial No. and Color Code

1) Engine Starting Sserial No.

40VMO	S : 290526	40VETO	S : 880818
40VMHO	S : 193989		L : 550724
	L : 493352	40YETO	L : 200101
40YMHO	S : 000101	50HEDO	S : 090918
40VEO	S : 111512		L : 521700
	L : 844046		



2) Color Code

Color Code	Color Name	Abbreviation
004D	DARK BLUISH GRAY METALLIC 2	DBNM2

7. Note that the illustrations for reference in finding parts numbers, not to be used for assembling. When assembling, please use the applicable service manual.

8. The asterisk (*) before a reference number indicates modification items after the first edition.

CONTENTS

SHEET 1/2

TOP COWLING	A4
CYLINDER. CRANKCASE	A5
CRANKSHAFT. PISTON	A7
INTAKE	B1
CARBURETOR	B3
OIL PUMP 1	B6
OIL PUMP 2	C1
FUEL	C3
STARTER	C5
GENERATOR	C7
ELECTRICAL 1	D1
ELECTRICAL 2	D3
ELECTRICAL 3 (40V)	D5
ELECTRICAL 4	D6
STARTING MOTOR	D7
BOTTOM COWLING	E2
STEERING	E4
CONTROL	E7
BRACKET 1	F2
BRACKET 2	F5
BRACKET 3	F7

INDEX

NUMERICAL INDEX	G1
-----------------------	----

SHEET 2/2

BRACKET 3	A4*
BRACKET 4	A5*
POWER TRIM & TILT ASSY 1	A7*
POWER TRIM & TILT ASSY 2	B3*
UPPER CASING	B4*
LOWER CASING. DRIVE 1	B5*
LOWER CASING. DRIVE 2	C2*
FUEL TANK	C4*
STEERING GUIDE	C5*
REMOTE CONTROL BOX	C6*
REMOTE CONTROL ASSY 1	C7*
REMOTE CONTROL ASSY 2	D3*
METER 1 (40V)	D5*
METER 2 (40Y)	D6*
REPAIR KIT 1	D7*
REPAIR KIT 2	E2*

INDEX

NUMERICAL INDEX	G1*
-----------------------	-----

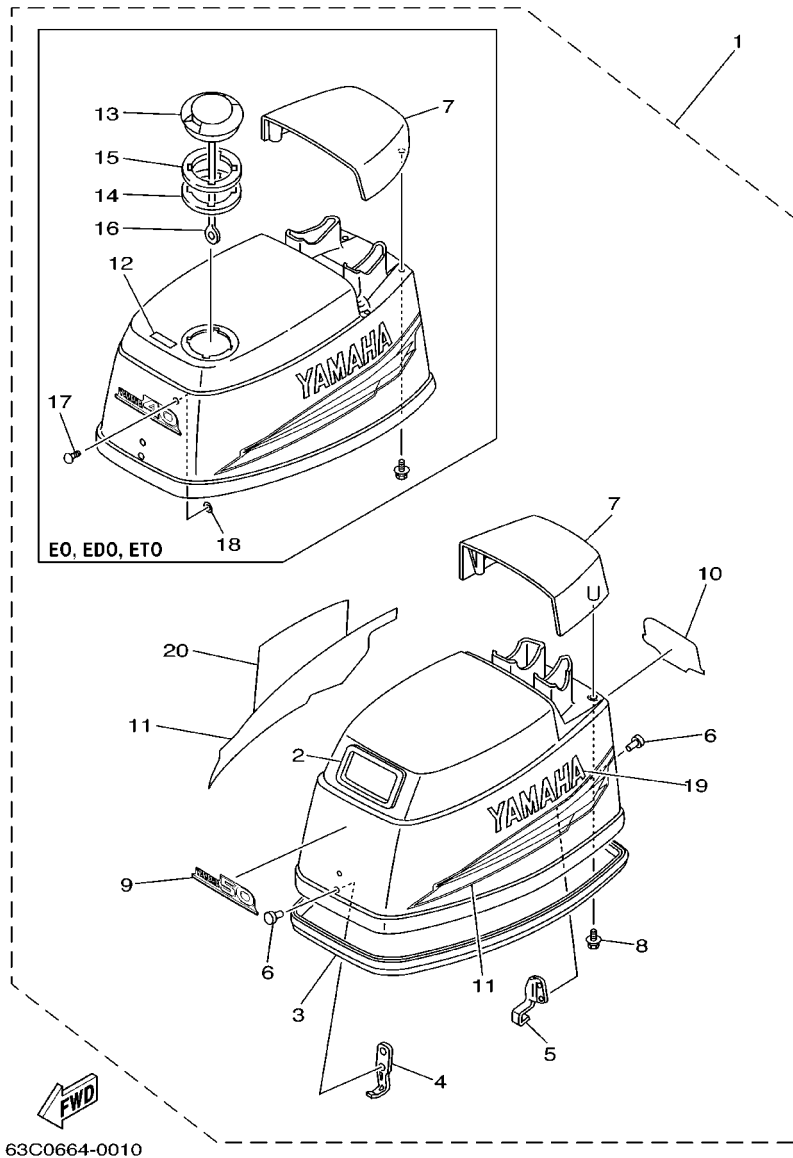
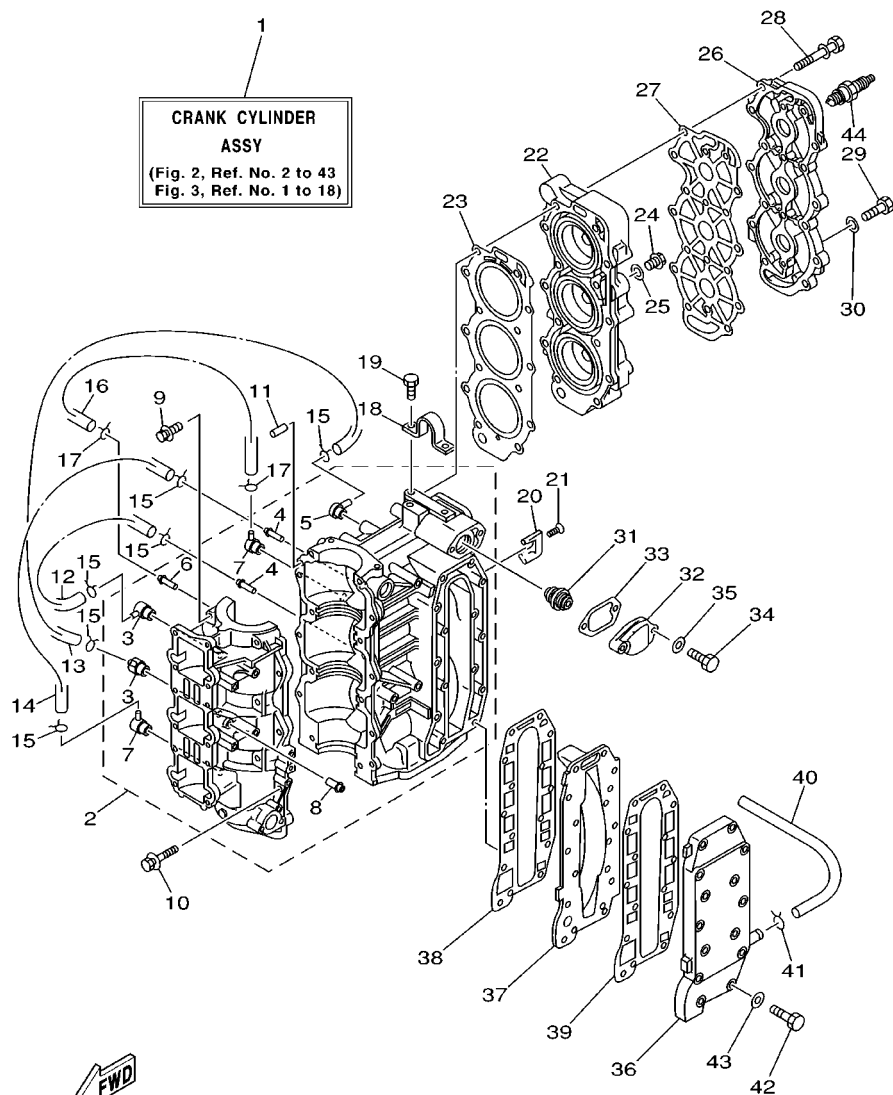


FIG. 1 TOP COWLING

CAPOT SUPERIEUR

REF. NO.	PART NO. NO. PIECES	DESCRIPTION DESCRIPTION	EDO	ETO	EO	MO	MHO	REMARKS REMARQUES
1	63D-42610-10-4D	TOP COWLING ASSY CAPOT (ENS.)				1	1	40VMO/MHO,40YMHO
	63D-42610-30-4D	TOP COWLING ASSY CAPOT (ENS.)		1	1			40VEO/ETO,40YETO
	62X-42610-30-4D	TOP COWLING ASSY CAPOT (ENS.)	1					50HEDO
2	6H4-15761-00	.SEAL, RUBBER 1 .JOINT CAOUTCHOUC 1				1	1	
3	6H4-42615-00	.SEAL .JOINT	1	1	1	1	1	
4	6H4-42651-00	.HOOK .CROCHET	1	1	1	1	1	
5	6H4-42652-00	.HOOK .CROCHET	1	1	1	1	1	
6	90266-04M01	.RIVET .RIVET	4	4	4	4	4	
7	6H4-42613-01-4D	.MOLDING, AIR DUCT .MANCHON A AIR					1	1
	6H4-42613-11-4D	.MOLDING, AIR DUCT .MANCHON A AIR	1	1	1			
8	90119-06M99	.BOLT, WITH WASHER .BOULON, AVEC RONDELLE	4	4	4	4	4	
9	63D-42677-11	.GRAPHIC, FRONT .ADHESIF, AVANT		1	1	1	1	40V,40Y
	62X-42677-11	.GRAPHIC, FRONT .ADHESIF, AVANT	1					50H
10	63D-42678-11	.GRAPHIC, REAR .ADHESIF, ARRIERE		1	1	1	1	40V,40Y
	62X-42678-11	.GRAPHIC, REAR .ADHESIF, ARRIERE	1					50H
11	63D-W0070-10	.GRAPHIC SET .JEU DIEMBLEMES	1	1	1	1	1	
12	63D-13436-40	.MARK .ADHESIF	1	1	1			
13	63D-2177H-00	.DISK CAP 2 .BOUCHON DE DISQUE 2	1	1	1			
14	6H3-21732-00	.SEAL 1 .JOINT 1	1	1	1			
15	6H3-21735-00	.SEAL 2 .JOINT 2	1	1	1			
16	6H1-42694-00	.BAND .COLLIER	1	1	1			
17	90338-05M03	.PLUG .PLOT	1	1	1			
18	90183-05M06	.NUT, SPRING .ECROU, RESSORT	1	1	1			
19	63D-42681-10	.MARK, COWLING .ADHESIF, CAPOT	1	1	1	1	1	
20	63D-42682-10	.MARK, COWLING .ADHESIF, CAPOT	1	1	1	1	1	

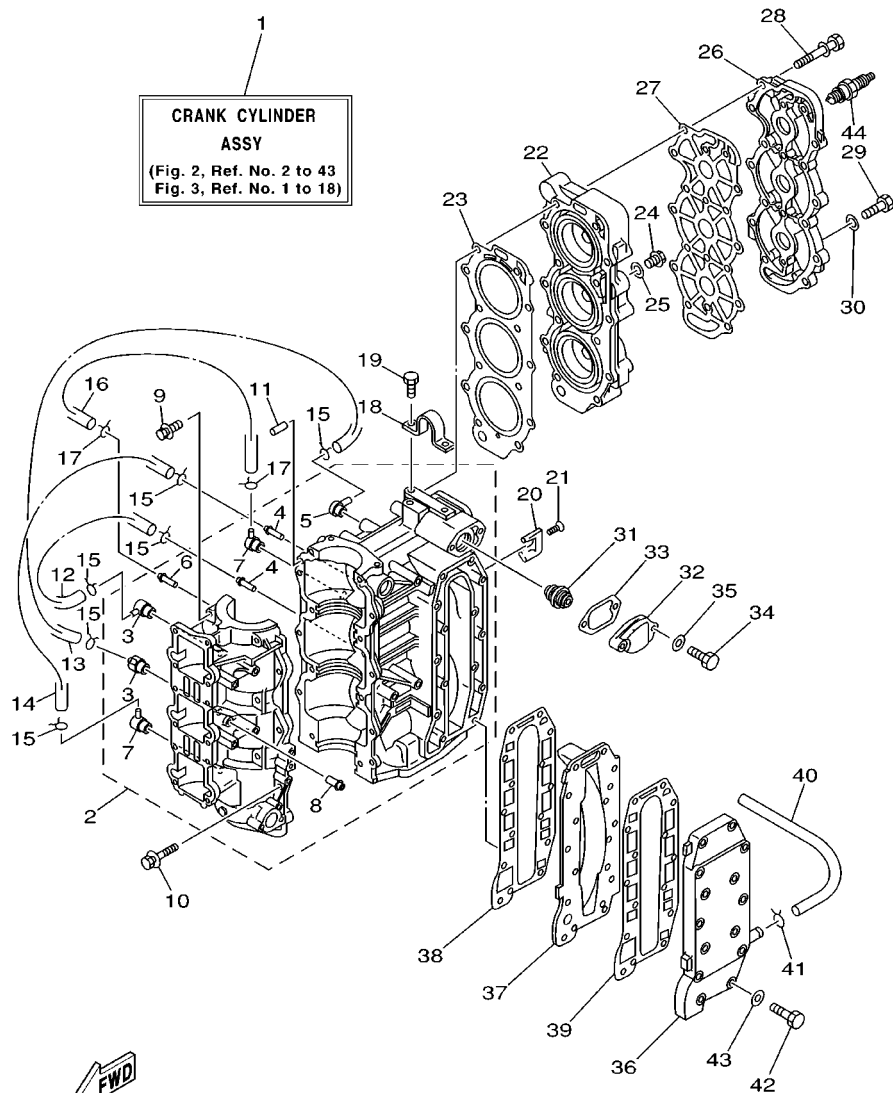


CRANK CYLINDER ASSY
(Fig. 2, Ref. No. 2 to 43
Fig. 3, Ref. No. 1 to 18)

FIG. 2 CYLINDER, CRANKCASE CYLINDRE, CARTER

REF. NO.	PART NO. NO. PIECES	DESCRIPTION DESCRIPTION	EDO	ETO	EO	MO	MHO	REMARKS REMARQUES
1	63D-W0090-10-4D	CRANK CYLINDER ASSY EMBIELLAGE CYLINDRE (ENS.)	1	1	1			EO SPEC
	63D-W0090-30-4D	CRANK CYLINDER ASSY EMBIELLAGE CYLINDRE (ENS.)				1	1	MO SPEC
2	6H4-15100-13-94	CRANKCASE ASSY CARTER DE MOTEUR COMPLET	1	1	1			EO SPEC
	6H4-15100-30-94	CRANKCASE ASSY CARTER DE MOTEUR COMPLET				1	1	MO SPEC
3	650-11370-00	.CHECK VALVE ASSY .CLAPET (ENS.)	2	2	2	2	2	
4	624-14485-00	.PIPE, JOINT .DURITE	2	2	2	2	2	
5	6H4-11372-00	.NIPPLE, HOSE .RACCORD, TUYAU	1	1	1	1	1	
6	624-14485-00	.PIPE, JOINT .DURITE	1	1	1	1	1	
7	688-11370-00	.CHECK VALVE ASSY .CLAPET (ENS.)	2	2	2	2	2	
8	650-24378-00	.PIPE, JOINT 4 .DURITE RACCORDEMENT 4	1	1	1			EO SPEC
9	90119-08M19	BOLT, WITH WASHER BOULON, AVEC RONDELLE	8	8	8	8	8	
10	90119-06M13	BOLT, WITH WASHER BOULON, AVEC RONDELLE	6	6	6	6	6	
11	93606-12019	PIN, DOWEL GOUJON	2	2	2	2	2	
12	90445-07M46	HOSE (L360) DURITE (L360)	1	1	1	1	1	
13	90445-07M27	HOSE (L310) DURITE (L310)	1	1	1	1	1	
14	90445-07M24	HOSE (L240) DURITE (L240)	1	1	1	1	1	
15	90467-06016	CLIP JONC	6	6	6	6	6	
16	90445-07MA3	HOSE (L200) DURITE (L200)	1	1	1	1	1	
17	90467-06016	CLIP JONC	2	2	2	2	2	
18	6H4-11119-00	HANGER, ENGINE ANNEAU, LEVAGE	1	1	1	1	1	
19	97013-06014	BOLT BOULON	2	2	2	2	2	
20	688-11325-00	ANODE ANODE	2	2	2	2	2	
21	98780-04016	SCREW, FLAT HEAD VIS, TETE PLATE	2	2	2	2	2	
22	63D-11111-00-94	HEAD, CYLINDER 1 CULASSE	1	1	1	1	1	
23	63D-11181-A1	GASKET, CYLINDER HEAD 1 JOINT, DE CULASSE 1	1	1	1	1	1	
24	90340-14M00	PLUG, STRAIGHT SCREW PLOT, FILETE DROIT	1	1	1	1	1	
25	90430-14115	GASKET JOINT	1	1	1	1	1	

63D0100-0020



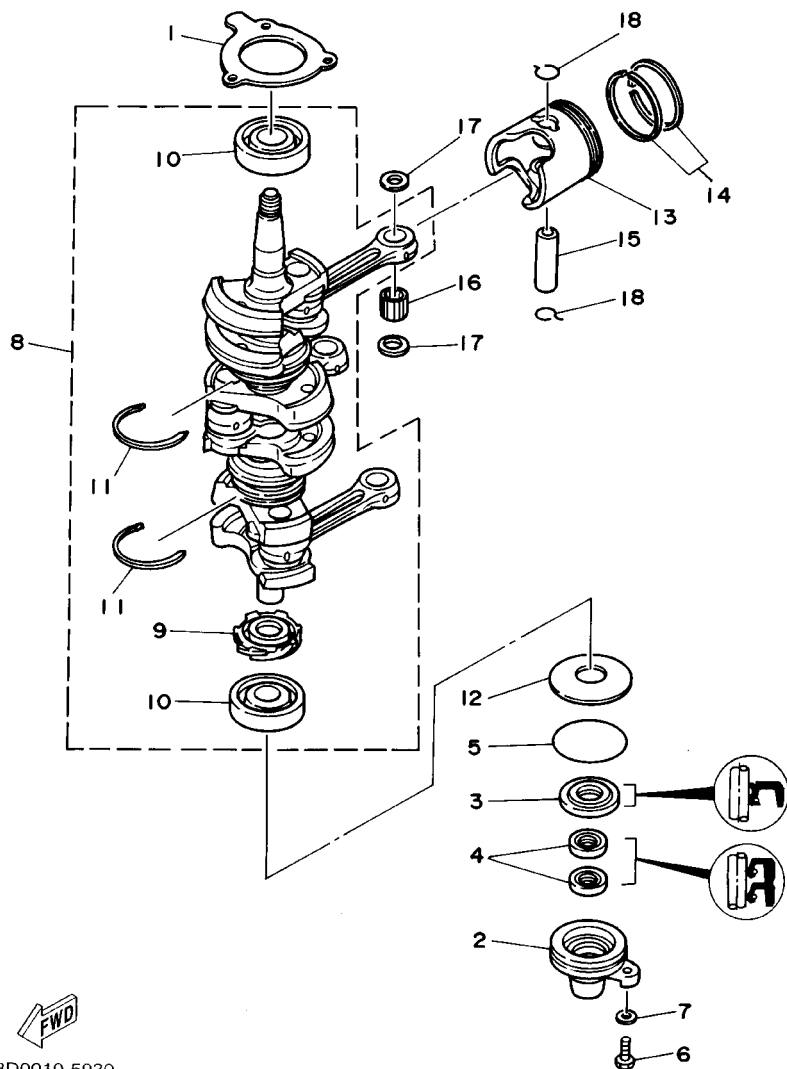
63D0100-0020

FIG. 2 CYLINDER, CRANKCASE CYLINDRE, CARTER

REF. NO.	PART NO. NO. PIECES	DESCRIPTION DESCRIPTION	EDO	ETO	EO	MO	MHO	REMARKS REMARQUES
26	63D-11191-00-9M	COVER, CYLINDER HEAD 1 COUVERCLE, CULASSE 1	1	1	1	1	1	
27	63D-11193-A0	GASKET, HEAD COVER 1 JOINT, COUVERCLE DE CULASSE 1	1	1	1	1	1	
28	90119-08M29	BOLT, WITH WASHER BOULON, AVEC RONDELLE	14	14	14	14	14	
29	97013-06025	BOLT BOULON	4	4	4	4	4	
30	92903-06600	WASHER, PLATE RONDELLE, PLATE	4	4	4	4	4	
31	6E5-12411-20	THERMOSTAT THERMOSTAT	1	1	1	1	1	
32	6H4-12413-00-9M	COVER, THERMOSTAT COUVERCLE, THERMOSTAT	1	1	1	1	1	
33	6J8-12414-A0	GASKET, COVER JOINT, COUVERCLE	1	1	1	1	1	
34	97013-06025	BOLT BOULON	2	2	2	2	2	
35	92903-06600	WASHER, PLATE RONDELLE, PLATE	2	2	2	2	2	
36	6H4-41113-00-9M	OUTER COVER, EXHAUST COUVERCLE, ECHAPPEMENT	1	1	1	1	1	
37	6H4-41111-00-9M	INNER COVER, EXHAUST PLAQUE, ECHAPPEMENT	1	1	1	1	1	
38	6H4-41112-A0	GASKET, EXHAUST INNER COVER JOINT, PLAQUE D'ECHAPPEMENT	1	1	1	1	1	
39	6H4-41114-A0	GASKET, EXHAUST OUTER COVER JOINT, COUVERCLE D'ECHAPPEMENT	1	1	1	1	1	
40	90445-09M37	HOSE (L240) DURITE (L240)	1	1	1	1	1	
41	90467-08004	CLIP JONC	1	1	1	1	1	
42	97013-06035	BOLT BOULON	13	13	13	13	13	
43	92903-06600	WASHER, PLATE RONDELLE, PLATE	13	13	13	13	13	
44	94702-00271	PLUG, SPARK (NGK BR7HS-10) BOUGIE D'ALLUMAGE (NGK BR7HS-10)		3	3	3	3	40V
	94702-00247	PLUG, SPARK (NGK BR8HS-10) BOUGIE D'ALLUMAGE (NGK BR8HS-10)		3	3		3	40Y,50H

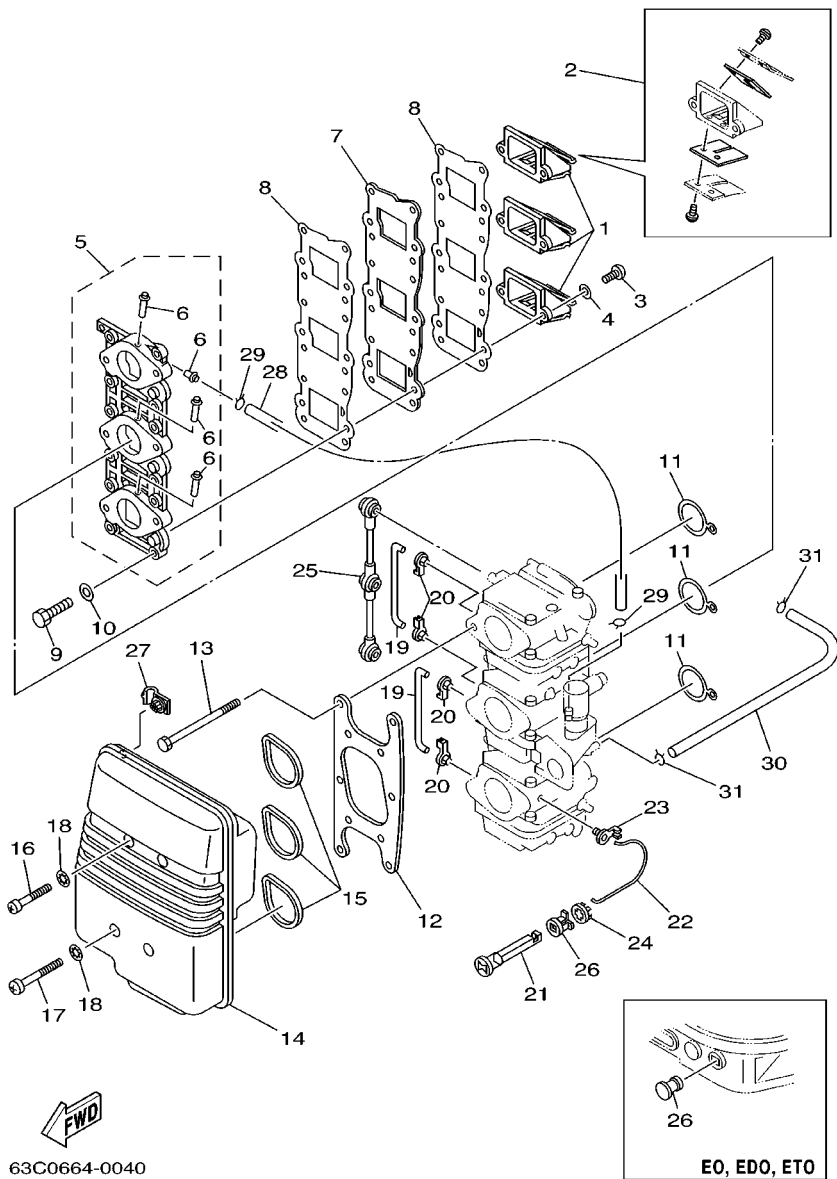
FIG. 3 CRANKSHAFT. PISTON

VILEBREQUIN. PISTON



63D0010-5030

REF. NO.	PART NO. NO. PIECES	DESCRIPTION DESCRIPTION	EDO	ETO	EO	MO	MHO	REMARKS REMARQUES
1	6H4-15369-A1	GASKET, OIL SEAL HOUSING JOINT SPY DE LOGEMENT	1	1	1	1	1	
2	6H4-15396-03-5B	HOUSING, OIL SEAL LOGEMENT DE JOINT SPY	1	1	1	1	1	
3	93102-25M28	OIL SEAL JOINT SPY	1	1	1	1	1	
4	93104-16M01	OIL SEAL JOINT SPY	2	2	2	2	2	
5	93210-58M21	O-RING JOINT TORIQUE	1	1	1	1	1	
6	97095-06020	BOLT BOULON	1	1	1	1	1	
7	92995-06600	WASHER RONDELLE	1	1	1	1	1	
8	6H4-11400-14	CRANKSHAFT ASSY VILEBREQUIN COMPLET	1	1	1	1	1	
9	6H4-11536-00	.GEAR, DRIVE .ENGRENAGE, MENANT	1	1	1	1	1	
10	93306-305U8	.BEARING .ROULEMENT	1	1	1	1	1	
11	93440-62057	.CIRCLIP .CIRCLIP, TYPE S	2	2	2	2	2	
12	90201-50306	WASHER, PLATE RONDELLE, PLATE	1	1	1	1	1	
13	6H4-11631-01-95	PISTON (STD) PISTON (STD)	3	3	3	3	3	
	6H4-11635-01	PISTON (0.25MM O/S) PISTON (0.25MM O/S)	3	3	3	3	3	AP
	6H4-11636-01	PISTON (0.50MM O/S) PISTON (0.50MM O/S)	3	3	3	3	3	AP
14	63D-11603-00	PISTON RING SET (STD) JUE DE SEGMENTS (STD)	3	3	3	3	3	
	63D-11604-00	PISTON RING SET (0.25MM O/S) JUE DE SEGMENTS (0.25MM O/S)	3	3	3	3	3	AP
	63D-11605-00	PISTON RING SET (0.50MM O/S) JUE DE SEGMENTS (0.50MM O/S)	3	3	3	3	3	AP
15	648-11633-00	PIN, PISTON AXE, PISTON	3	3	3	3	3	
16	93602-20M02	PIN, DOWEL GOUJON	93	93	93	93	93	
17	6H4-11641-00	WASHER, PISTON PIN RONDELLE, AXE DE PISTON	6	6	6	6	6	
18	6H4-11634-01	CLIP, PISTON PIN AGRAFE, AXE DE PISTON	6	6	6	6	6	



63C0664-0040

EO, EDO, ETO

FIG. 4 INTAKE

ADMISSION

REF. NO.	PART NO. NO. PIECES	DESCRIPTION DESCRIPTION	ADMISSION					REMARKS REMARQUES
			EDO	ETO	EO	MO	MHO	
1	6H5-13610-00	REED VALVE ASSY CLAPET COMPLET	3	3	3	3	3	
2	6H4-W0004-00	.REED SET .JEU DE CLAPETS	1	1	1	1	1	
3	97880-05014	SCREW, PAN HEAD VIS, TETE TRONCONIQUE	6	6	6	6	6	
4	92990-05600	WASHER, PLATE RONDELLE, PLATE	6	6	6	6	6	
5	6H4-13641-12-94	MANIFOLD 1 TUBULURE 1	1	1	1			
	6H4-13641-30-94	MANIFOLD 1 TUBULURE 1				1	1	
6	6H1-14485-00	.PIPE, JOINT .DURITE	4	4	4			
	6H1-14485-00	.PIPE, JOINT .DURITE				3	3	
7	6H4-13624-01-94	PLATE, REED VALVE PLAQUE DE CLAPET	1	1	1	1	1	
8	6H4-13621-A1	GASKET, VALVE SEAT JOINT, SIEGE DE CLAPET	2	2	2	2	2	
9	97013-06020	BOLT BOULON	12	12	12	12	12	
10	92903-06600	WASHER, PLATE RONDELLE, PLATE	12	12	12	12	12	
11	6H4-14198-01	GASKET JOINT	3	3	3	3	3	
12	6H4-14406-00	HINGE PENTURE	1	1	1	1	1	
13	97095-06095	BOLT BOULON	6	6	6	6	6	
14	6H4-14431-02	SILENCER, INTAKE 1 SILENCIEUX, ADMISSION	1	1	1			
	6H4-14431-13	SILENCER, INTAKE 1 SILENCIEUX, ADMISSION				1	1	
15	6H3-14457-01	SEAL JOINT	3	3	3	3	3	
16	97885-06040	SCREW, PAN HEAD VIS, TETE TRONCONIQUE	2	2	2	2	2	
17	97885-06055	SCREW, PAN HEAD VIS, TETE TRONCONIQUE	2	2	2	2	2	
18	90209-06M05	WASHER RONDELLE	4	4	4	4	4	
19	6H4-41257-00	ROD, CHOKE 2 TRINGLE 2, STARTER				2	2	
20	661-41262-02	JOINT, CHOKE LEVER RACCORD, LEVIER DE STARTER				4	4	
21	6H4-41271-01	KNOB, CHOKE BOUTON DE STARTER				1	1	
22	6H4-41259-01	ROD, CHOKE 3 TRINGLE 3, STARTER				1	1	
23	6J8-41262-00	JOINT, CHOKE LEVER RACCORD, LEVIER DE STARTER				1	1	
24	6J8-41274-00	GROMMET 2 PASSE-FIL 2				1	1	

B1

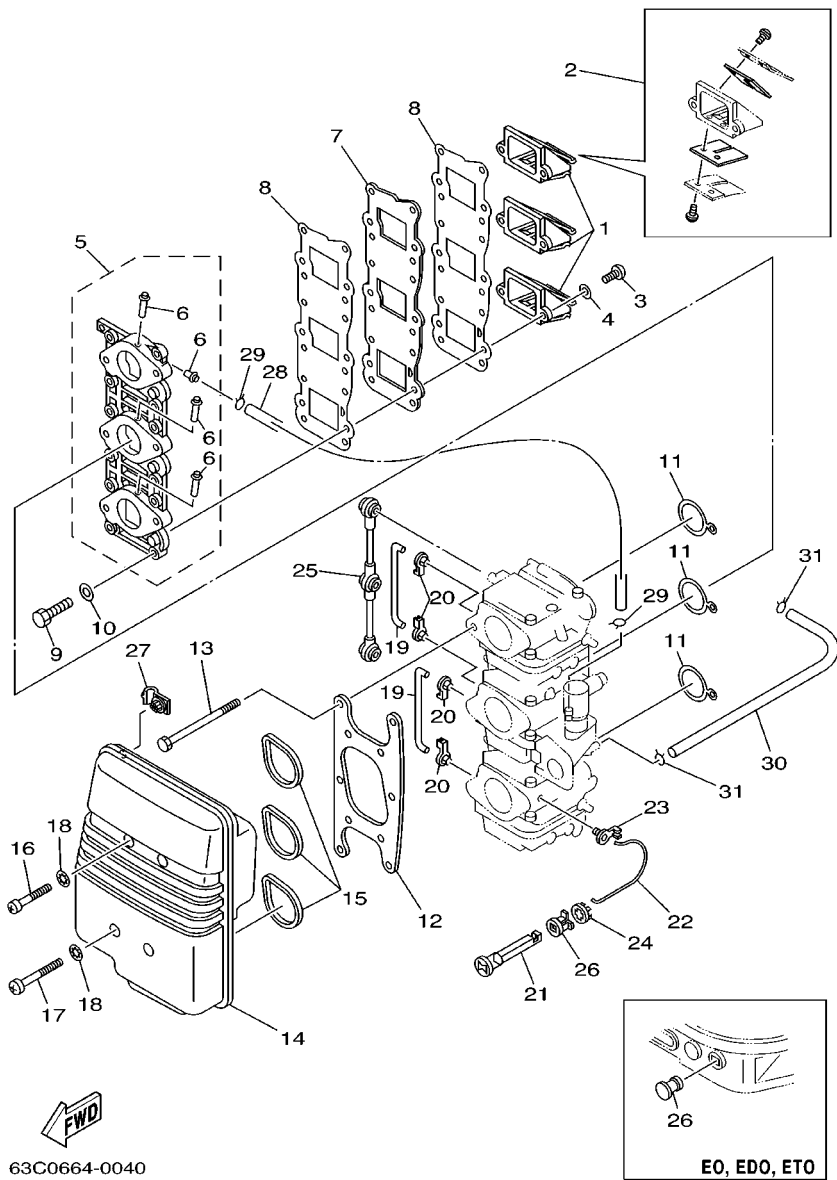


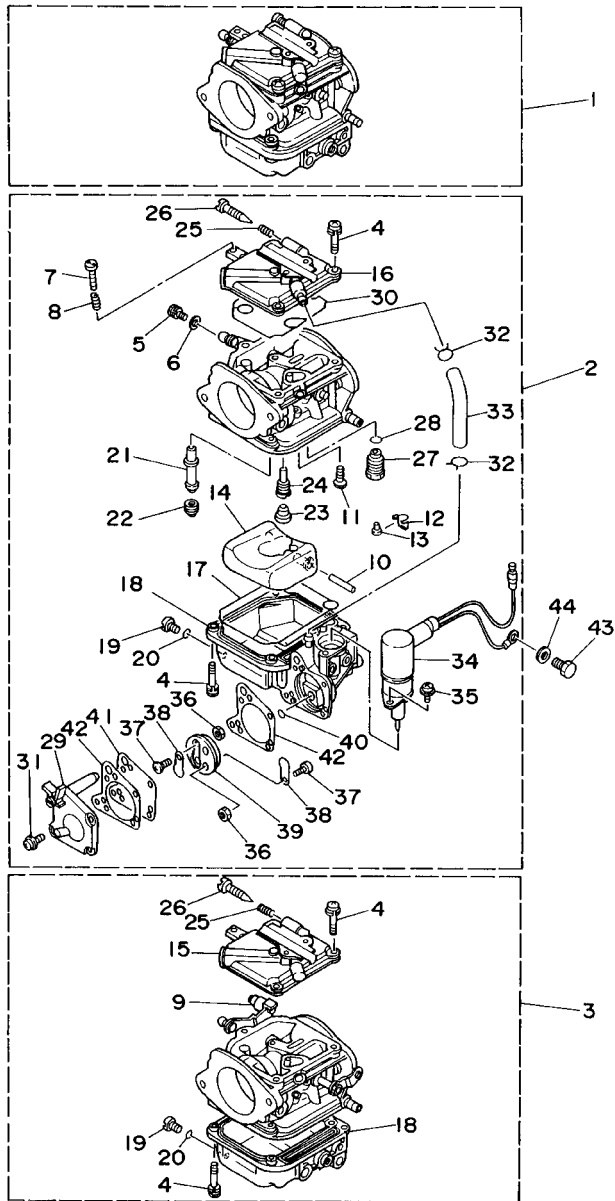
FIG. 4 INTAKE

ADMISSION

REF. NO.	PART NO. NO. PIECES	DESCRIPTION DESCRIPTION	EDO	ETO	EO	MO	MHO	REMARKS REMARQUES
25	6H4-41217-01	ROD, ACCEL. LEVER TIGE, LEVIER ACCELERATION	1	1	1	1	1	
26	6G1-42748-00 689-41273-00	GROMMET PASSE-FIL GROMMET PASSE-FIL	1	1	1			
27	90464-06M19	CLAMP BRIDE				1	1	
28	90445-07MA5	HOSE (L150) DURITE (L150)	1	1	1			
29	90467-06016	CLIP JONC	2	2	2			
30	6H3-14349-00	PIPE DURITE	1	1	1			
31	90467-08004	CLIP JONC	2	2	2			

FIG. 5 CARBURETOR

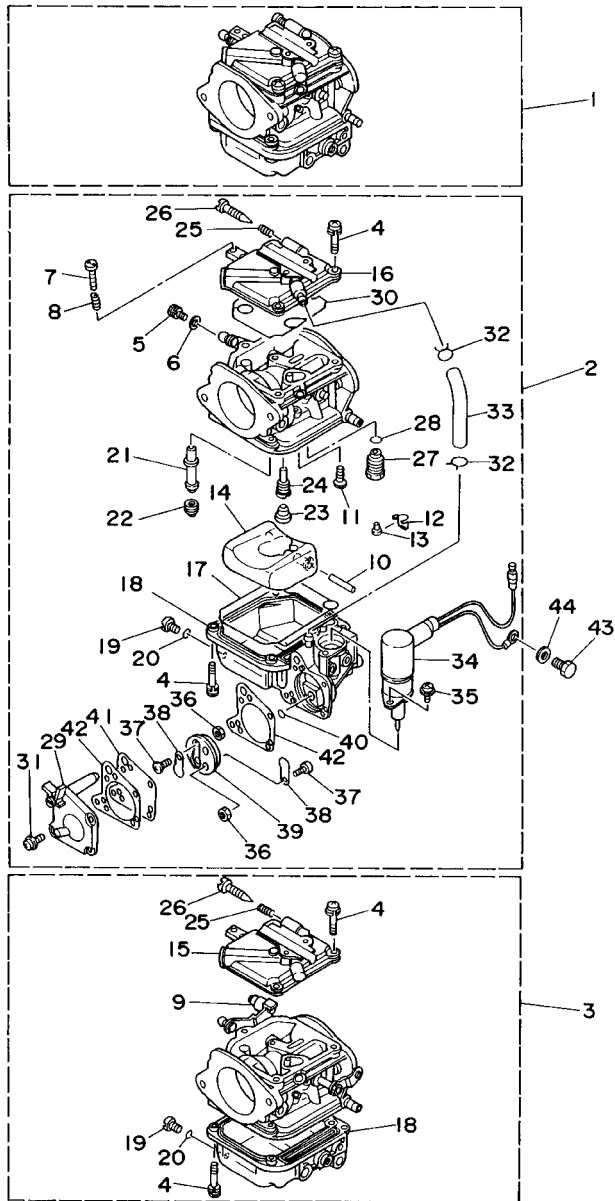
CARBUREATEUR



REF. NO.	PART NO. NO. PIECES	DESCRIPTION DESCRIPTION	EDO	ETO	EO	MO	MHO	REMARKS REMARQUES	
1	63D-14301-00	CARBURETOR ASSY 1 CARBURATEUR COMPLET 1		1	1			40V	
	63B-14301-00	CARBURETOR ASSY 1 CARBURATEUR COMPLET 1				1	1	40V	
	62X-14301-00	CARBURETOR ASSY 1 CARBURATEUR COMPLET 1	1	1				40Y,50H	
	62W-14301-00	CARBURETOR ASSY 1 CARBURATEUR COMPLET 1					1	40Y	
2	63D-14302-00	CARBURETOR ASSY 2 CARBURATEUR COMPLET 2		1	1			40V	
	63B-14302-00	CARBURETOR ASSY 2 CARBURATEUR COMPLET 2					1	1	40V
	62X-14302-00	CARBURETOR ASSY 2 CARBURATEUR COMPLET 2	1	1				40Y,50H	
	62W-14302-00	CARBURETOR ASSY 2 CARBURATEUR COMPLET 2					1	40Y	
3	63D-14303-00	CARBURETOR ASSY 3 CARBURATEUR COMPLET 3		1	1			40V	
	63B-14303-00	CARBURETOR ASSY 3 CARBURATEUR COMPLET 3					1	1	40V
	62X-14303-00	CARBURETOR ASSY 3 CARBURATEUR COMPLET 3	1	1				40Y,50H	
	62W-14303-00	CARBURETOR ASSY 3 CARBURATEUR COMPLET 3					1	40Y	
4	97980-04114	.SCREW, WITH WASHER .VIS, AVEC RONDELLE	21	21	21	21	21		
5	6K5-14592-00	.SCREW .VIS	3	3	3	3	3		
6	90201-05652	.WASHER, PLATE .RONDELLE, PLATE	3	3	3	3	3		
7	63V-14523-00	.SCREW, STOP .VIS, BUTEE	1	1	1	1	1	#2	
8	90501-10326	.SPRING, COMPRESSION .RESSORT, COMPRESSION	1	1	1	1	1	#2	
9	6H2-14578-00	.COLLAR .COLLERETTE	1	1	1	1	1	#3	
10	6H4-14548-00	.PIN, FLOAT ARM AXE, BRAS DE FLOTTEUR	3	3	3	3	3		
11	98580-04008	.SCREW, PAN HEAD .VIS, TETE TRONCONIQUE	3	3	3	3	3		
12	663-14159-00	.CLIP JONC	3	3	3	3	3		
13	676-14186-00	.PIN, FLOAT AXE, FLOTTEUR	3	3	3	3	3		
14	6H4-14985-01	.FLOAT .FLOTTEUR	3	3	3	3	3		
15	6H4-14146-10	.PLATE .PLAQUE	2	2	2	2	2	#1,3	
16	6H3-14146-10	.PLATE .PLAQUE	1	1	1			#2	
	6H4-14146-00	.PLATE .PLAQUE					1	1	#2
17	6H4-14984-00	.GASKET, FLOAT CHAMBER JOINT, CUVE DE FLOTTEUR	3	3	3	3	3		

FIG. 5 CARBURETOR

CARBURATEUR

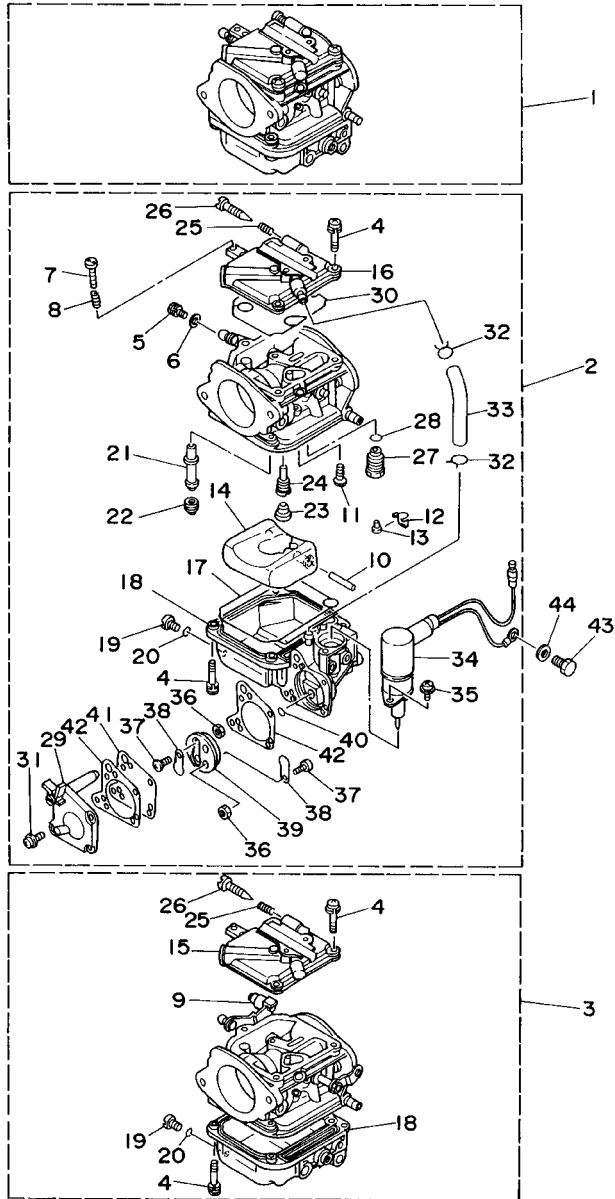


63D0010-5050

REF. NO.	PART NO. NO. PIECES	DESCRIPTION DESCRIPTION	EDO	ETO	EO	MO	MHO	REMARKS REMARQUES
18	6H4-14980-00	.BODY, FLOAT CHAMBER .CORPS, CUVE DE FLOTTEUR	2	2	2			#1,3
	6H3-14980-10	.BODY, FLOAT CHAMBER .CORPS, CUVE DE FLOTTEUR	1	1	1			#2
	6H4-14980-00	.BODY, FLOAT CHAMBER .CORPS, CUVE DE FLOTTEUR				3	3	
19	6H3-14992-00	.SCREW, DRAIN .BOUCHON, PURGE	3	3	3	3	3	
20	93210-04230	.O-RING .JOINT TORIQUE	3	3	3	3	3	
21	63D-14947-00	.JET, NEEDLE .GICLÉUR DE STARTER		3	3	3	3	40V
	62X-14947-00	.JET, NEEDLE .GICLÉUR DE STARTER	3	3				40Y,50H
	62W-14947-00	.JET, NEEDLE .GICLÉUR DE STARTER					3	40Y
22	676-14943-30	.JET, MAIN (#115) .GICLÉUR, PRINCIPAL (#115)	2	2	2	2	2	40V-#1,3
	63D-14943-81	.JET, MAIN (#118) .GICLÉUR, PRINCIPAL (#118)	1	1	1	1	1	40V-#2
	676-14943-33	.JET, MAIN (#130) .GICLÉUR, PRINCIPAL (#130)	3	3				40Y,50H
	676-14943-32	.JET, MAIN (#125) .GICLÉUR, PRINCIPAL (#125)					3	40Y
23	676-14966-00	.CAP .CAPUCHON	3	3	3	3	3	
24	6H4-14948-11	.JET (#60) .GICLÉUR (#60)		3	3	3	3	40V
	62X-14948-12	.JET (#62) .GICLÉUR (#62)	3	3			3	40Y,50H
25	679-14555-00	.SPRING .RESSORT	3	3	3	3	3	
26	692-14923-00	.SCREW, PILOT .VIS, RALENTI	3	3	3	3	3	
27	6H4-14590-00	.NEEDLE VALVE ASSY .POINTEAU	3	3	3	3	3	
28	93210-04228	.O-RING .JOINT TORIQUE	3	3	3	3	3	
29	6H3-24452-10	.COVER .COUVERCLE	1	1	1			#2
30	6H4-14147-00	.O-RING .JOINT TORIQUE	3	3	3	3	3	
31	6H4-14567-00	.SCREW .VIS	4	4	4			#2
32	6H3-14137-00	.CLIP .JONC	2	2	2			#2
33	6H3-14349-00	.PIPE .DURITE	1	1	1			#2
34	63D-14380-00	.PRIME STARTER ASSY .DEMARREUR D'AMARCAGE ENS.	1	1	1			#2
35	97803-04010	.SCREW, PAN HEAD .VIS, TETE TRONCONIQUE	2	2	2			#2
36	95380-03600	.NUT .ECROU	2	2	2			#2

FIG. 5 CARBURETOR

CARBURATEUR



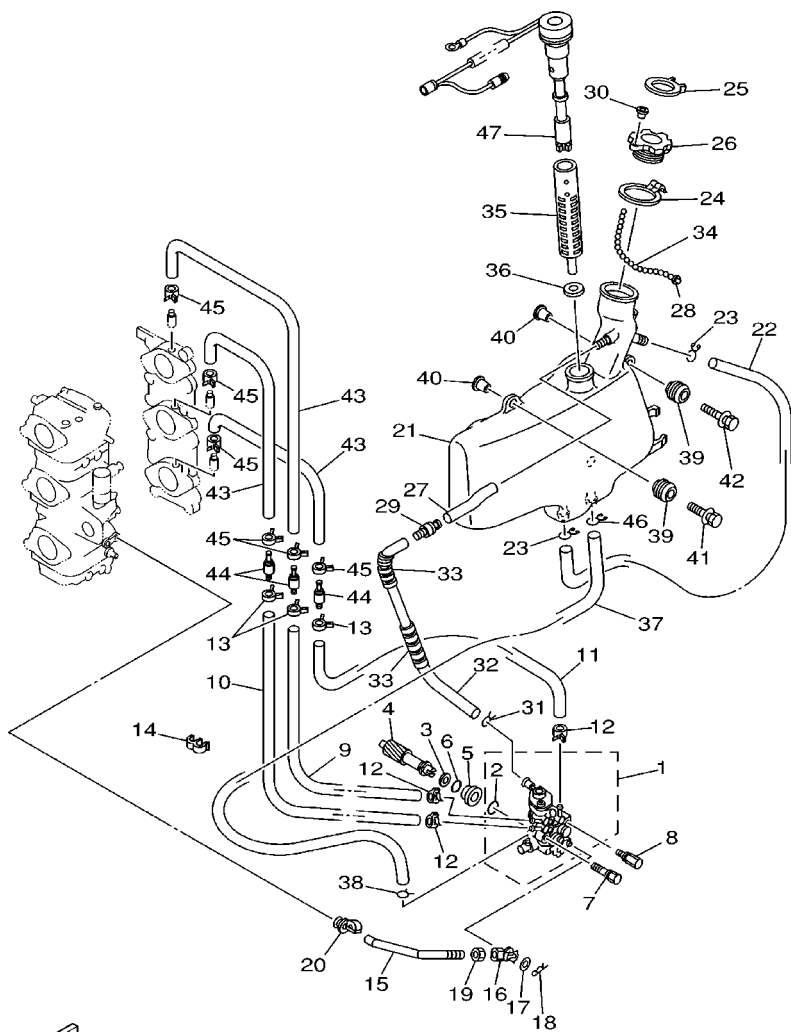
REF. NO.	PART NO. NO. PIECES	DESCRIPTION DESCRIPTION	EDO	ETO	EO	MO	MHO	REMARKS REMARQUES
37	98980-03006	.SCREW, BIND .VIS, DE PRESSION	2	2	2			#2
38	6L5-24421-00	.VALVE, CHECK .SOUPAPE, RETENUE	2	2	2			#2
39	6H4-24413-00	.BODY 2 .CORPS 2	1	1	1			#2
40	6H4-24486-00	.O-RING .JOINT TORIQUE	1	1	1			#2
41	6H3-24411-10	.DIAPHRAGM .DIAPHRAGME	1	1	1			#2
42	6H3-24434-10	.GASKET, BODY .JOINT, CORPS	2	2	2			#2
43	97013-06012	BOLT .BOULON	1	1	1			
44	92903-06600	WASHER, PLATE .RONDELLE, PLATE	1	1	1			



63D0010-5050

FIG. 6 OIL PUMP 1

POMPE A HUILE 1



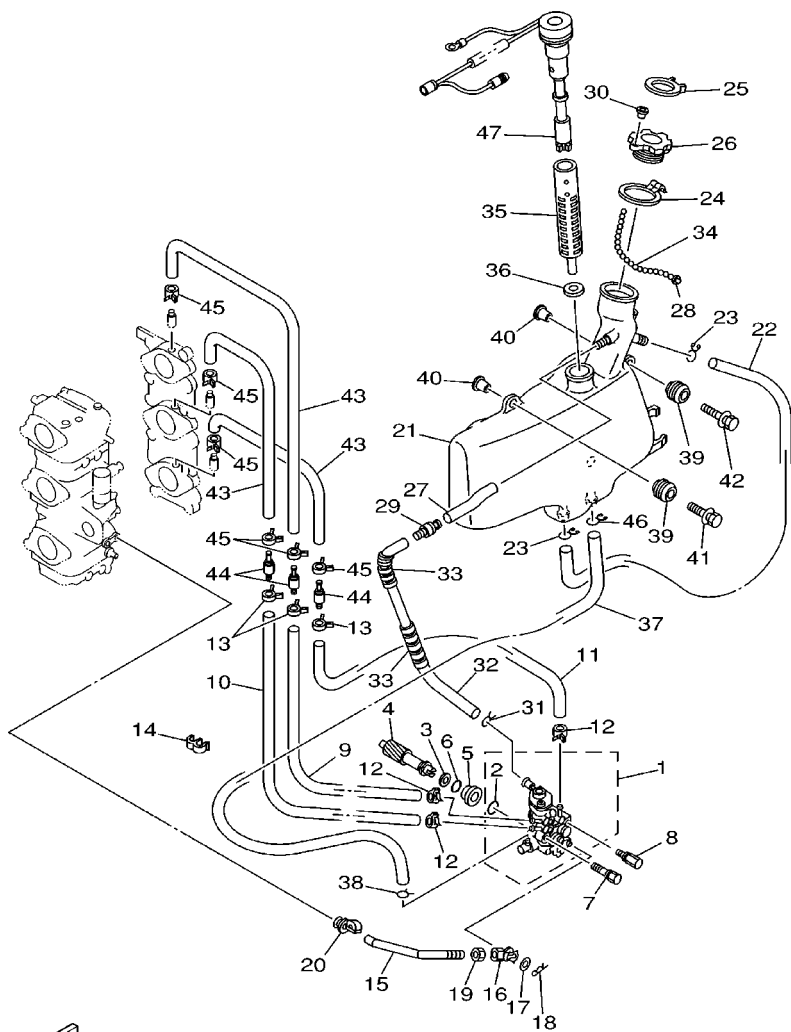
REF. NO.	PART NO. NO. PIECES	DESCRIPTION DESCRIPTION	EDO	ETO	EO	MO	MHO	REMARKS REMARQUES
1	63D-13200-00	OIL INJECTION PUMP ASSY POMPE A HUILE COMPLET				1	1	
2	93210-19MA7	.O-RING JOINT TORIQUE				1	1	
3	90201-08M93	WASHER, PLATE RONDELLE, PLATE				1	1	
4	6H4-11537-01	GEAR, DRIVEN PIGNON SECONDAIRE				1	1	
5	6H1-13117-01	COLLAR, DISTANCE ENTRETOISE				1	1	
6	93210-13M04	O-RING JOINT TORIQUE				1	1	
7	90109-06M39	BOLT BOULON				1	1	
8	90109-06M40	BOLT BOULON				1	1	
9	90445-07M44	HOSE (L250) DURITE (L250)				1	1	
10	90445-07M23	HOSE (L408) DURITE (L408)				1	1	
11	90445-07MA6	HOSE (L90) DURITE (L90)				1	1	
12	90468-07M02	CLIP JONC				3	3	
13	90468-07M02	CLIP JONC				3	3	
14	90464-07M20	CLAMP BRIDE				1	1	
15	6H4-41241-01	ROD, LINK BIELLETTTE				1	1	
16	6H1-41237-00	JOINT, LINK RACCORD				1	1	
17	90202-05088	WASHER, PLATE RONDELLE, PLATE				1	1	
18	90468-05M03	CLIP JONC				1	1	
19	95380-05600	NUT ECROU				1	1	
20	6E9-41237-00	JOINT, LINK RACCORD				1	1	
21	63D-21707-10	OIL TANK COMP. RESERVOIR A PETROLE COMP.				1	1	
22	90445-11M15	HOSE (L360) DURITE (L360)				1	1	
23	90467-11M08	CLIP JONC				2	2	
24	63D-2175R-00	HOOK, BAND CROCHET, BANDE				1	1	
25	63D-2176M-00	HOOK CROCHET				1	1	
26	6H4-21770-00	OIL TANK CAP ASSY CABOCHON DE RESERVOIR A HUILE				1	1	
27	90445-11M23	HOSE (L85) DURITE (L85)				1	1	



63B0100-1060

FIG. 6 OIL PUMP 1

POMPE A HUILE 1



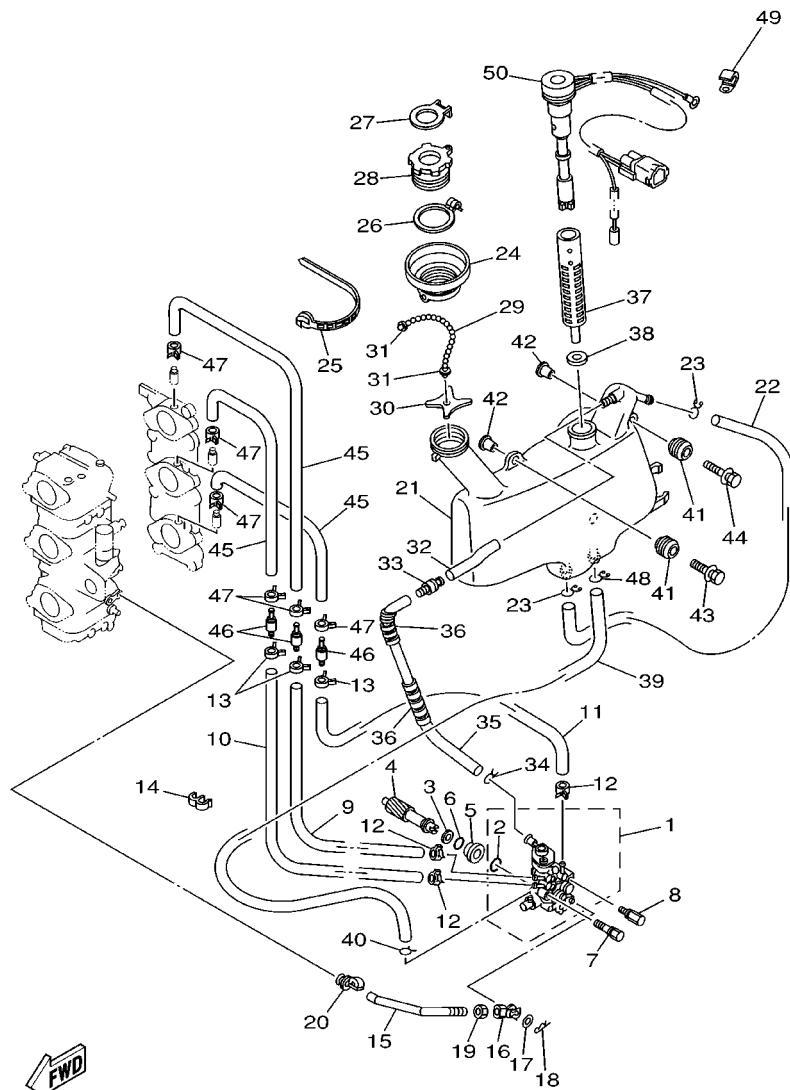
REF. NO.	PART NO. NO. PIECES	DESCRIPTION DESCRIPTION	EDO	ETO	EO	MO	MHO	REMARKS REMARQUES
28	6H4-21757-00	WASHER, SPECIAL 1 RONDELLE, SPECIALE 1				1	1	
29	63D-21744-00	BREATHER RENIFLARD				1	1	
30	6H4-24634-00	HOOK, CHAIN BALL ATTACHE				1	1	
31	90467-10M04	CLIP JONC				1	1	
32	90445-11M17	HOSE (L300) DURITE (L300)				1	1	
33	90446-10M01	HOSE DURITE				2	2	
34	6H4-24633-00	CHAIN, BALL CHANE DE BALLE				1	1	
35	6J8-13411-00	STRAINER, OIL FILTRE, HUILE				1	1	
36	6J8-13414-00	GASKET, STRAINER COVER JOINT, COUVERCLE DE FILTRE				1	1	
37	6L2-13416-00	PIPE, OIL 1 DURITE A HUILE				1	1	
38	90467-08004	CLIP JONC				1	1	
39	6A0-82317-00	DAMPER, IGNITION COIL AMORTISSEUR, BOBINE D'ALLUM				3	3	
40	624-42542-00	PIPE TUYAU				3	3	
41	90119-06M65	BOLT, WITH WASHER BOULON, AVEC RONDELLE				2	2	
42	90119-06M67	BOLT, WITH WASHER BOULON, AVEC RONDELLE				1	1	
43	90445-07M87	HOSE (L110) DURITE (L110)				3	3	
44	6E9-13183-70	VALVE, CHECK CLAPET ANTI RETOUR				3	3	
45	90468-07M02	CLIP JONC				6	6	
46	90467-11M08	CLIP JONC				1	1	
47	63D-85720-10	OIL LEVEL GAUGE ASSY JAUGE A HUILE CPLT				1	1	



63B0100-1060

FIG. 7 OIL PUMP 2

POMPE A HUILE 2

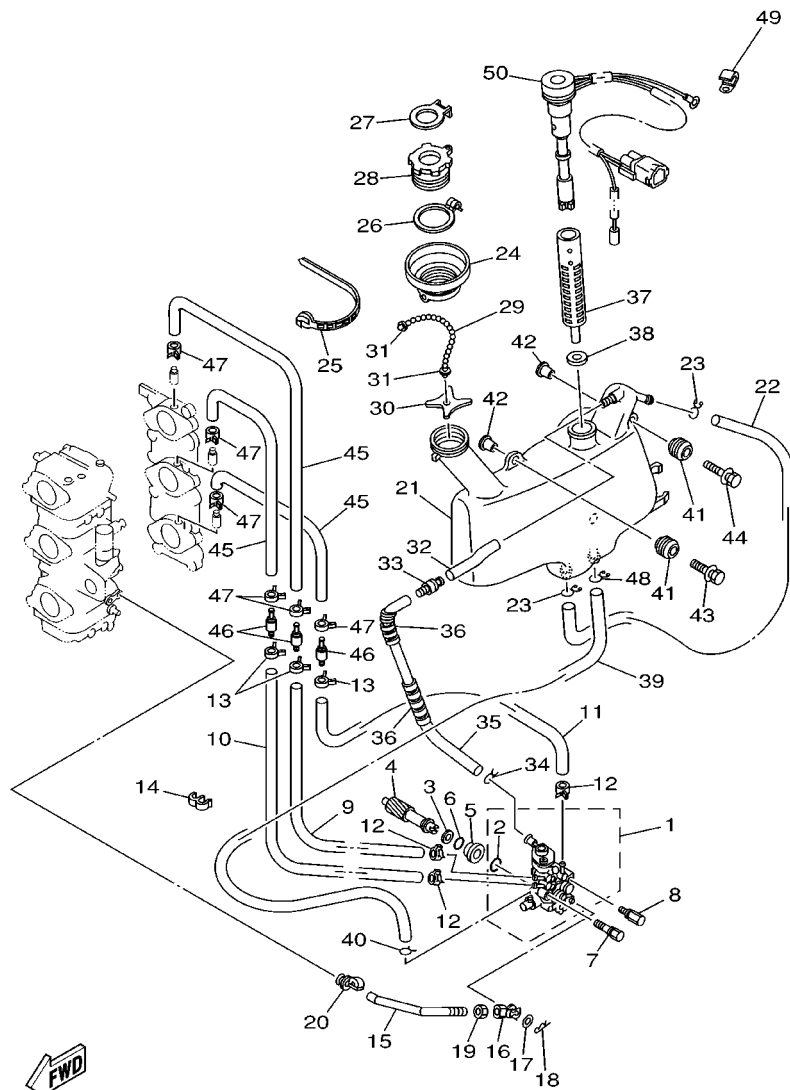


63B0100-0070

REF. NO.	PART NO. NO. PIECES	DESCRIPTION DESCRIPTION	EDO	ETO	EO	MO	MHO	REMARKS REMARQUES
1	63D-13200-00	OIL INJECTION PUMP ASSY POMPE A HUILE COMPLET	1	1	1			
2	93210-19MA7	.O-RING JOINT TORIQUE	1	1	1			
3	90201-08M93	WASHER, PLATE RONDELLE, PLATE	1	1	1			
4	6H4-11537-01	GEAR, DRIVEN PIGNON SECONDAIRE	1	1	1			
5	6H1-13117-01	COLLAR, DISTANCE ENTRETOISE	1	1	1			
6	93210-13M04	O-RING JOINT TORIQUE	1	1	1			
7	90109-06M39	BOLT BOULON	1	1	1			
8	90109-06M40	BOLT BOULON	1	1	1			
9	90445-07M44	HOSE (L250) DURITE (L250)	1	1	1			
10	90445-07M23	HOSE (L408) DURITE (L408)	1	1	1			
11	90445-07MA6	HOSE (L90) DURITE (L90)	1	1	1			
12	90468-07M02	CLIP JONC	3	3	3			
13	90468-07M02	CLIP JONC	3	3	3			
14	90464-07M20	CLAMP BRIDE	1	1	1			
15	6H4-41241-01	ROD, LINK BIELLETTTE	1	1	1			
16	6H1-41237-00	JOINT, LINK RACCORD	1	1	1			
17	90202-05088	WASHER, PLATE RONDELLE, PLATE	1	1	1			
18	90468-05M03	CLIP JONC	1	1	1			
19	95380-05600	NUT ECROU	1	1	1			
20	6E9-41237-00	JOINT, LINK RACCORD	1	1	1			
21	63D-21707-00	OIL TANK COMP. RESERVOIR A PETROLE COMP.	1	1	1			
22	90445-11M15	HOSE (L360) DURITE (L360)	1	1	1			
23	90467-11M08	CLIP JONC	2	2	2			
24	6H4-21752-00	TUBE, FILLER 1 DURITE	1	1	1			
25	90465-13M30	CLAMP BRIDE	1	1	1			
26	63D-2175R-00	HOOK, BAND CROCHET, BANDE	1	1	1			
27	63D-2176M-00	HOOK CROCHET	1	1	1			

FIG. 7 OIL PUMP 2

POMPE A HUILE 2



63B0100-0070

REF. NO.	PART NO. NO. PIECES	DESCRIPTION DESCRIPTION	EDO	ETO	EO	MO	MHO	REMARKS REMARQUES
28	6H4-21770-00	OIL TANK CAP ASSY CABOCHON DE RESERVOIR A HUILE	1	1	1			
29	6H5-24633-00	CHAIN, BALL CHANE DE BALLE	1	1	1			
30	6J8-21758-00	WASHER, SPECIAL 2 RONDELLE, SPECIALE 2	1	1	1			
31	6H1-21757-00	WASHER, SPECIAL 1 RONDELLE, SPECIALE 1	2	2	2			
32	90445-11M23	HOSE (L85) DURITE (L85)	1	1	1			
33	63D-21744-00	BREATHER RENIFLARD	1	1	1			
34	90467-10M04	CLIP JONC	1	1	1			
35	90445-11M17	HOSE (L300) DURITE (L300)	1	1	1			
36	90446-10M01	HOSE DURITE	2	2	2			
37	6J8-13411-00	STRAINER, OIL FILTRE, HUILE	1	1	1			
38	6J8-13414-00	GASKET, STRAINER COVER JOINT, COUVERCLE DE FILTRE	1	1	1			
39	6L2-13416-00	PIPE, OIL 1 DURITE A HUILE	1	1	1			
40	90467-08004	CLIP JONC	1	1	1			
41	6A0-82317-00	DAMPER, IGNITION COIL AMORTISSEUR, BOBINE D'ALLUM	3	3	3			
42	624-42542-00	PIPE TUYAU	3	3	3			
43	90119-06M65	BOLT, WITH WASHER BOULON, AVEC RONDELLE	2	2	2			
44	90119-06M67	BOLT, WITH WASHER BOULON, AVEC RONDELLE	1	1	1			
45	90445-07M87	HOSE (L110) DURITE (L110)	3	3	3			
46	6E9-13183-70	VALVE, CHECK CLAPET ANTI RETOUR	3	3	3			
47	90468-07M02	CLIP JONC	6	6	6			
48	90467-11M08	CLIP JONC	1	1	1			
49	90465-06M86	CLAMP BRIDE	1	1	1			
50	63D-85720-00	OIL LEVEL GAUGE ASSY JAUGE A HUILE CPLT	1	1	1			

FIG. 8 FUEL

CARBURANT

REF. NO.	PART NO. NO. PIECES	DESCRIPTION DESCRIPTION	EDO	ETO	EO	MO	MHO	REMARKS REMARQUES
1	6G1-24304-02	FUEL PIPE JOINT COMP. 1 DURITE RACCORDEMT. A ESSENCE	1	1	1	1	1	
2	97095-06025	BOLT BOULON	1	1	1	1	1	
3	92995-06600	WASHER RONDELLE	1	1	1	1	1	
4	90467-08004	CLIP JONC	2	2	2	2	2	
5	61N-24560-00	FILTER ASSY ENS FILTRE	1	1	1	1	1	
6	61N-24563-00	.ELEMENT, FILTER .ELEMENT, FILTRE	1	1	1	1	1	
7	61N-24521-00	.CUP, FILTER .CUVETTE, FILTRE	1	1	1	1	1	
8	93210-32738	.O-RING .JOINT TORIQUE	1	1	1	1	1	
9	6H4-24566-01	BRACKET, FILTER SUPPORT, FILTRE	1	1	1	1	1	
10	97013-06014	BOLT BOULON	1	1	1	1	1	
11	95380-08600	NUT ECROU	1	1	1	1	1	
12	6H4-24314-00	PIPE 4 DURITE 4	1	1	1	1	1	
13	90467-08004	CLIP JONC	2	2	2	2	2	
14	692-24410-00	FUEL PUMP ASSY POMPE A ESSENCE	1	1	1	1	1	
15	6A0-24413-00	.BODY 2 .CORPS 2	1	1	1	1	1	
16	692-24411-00	.DIAPHRAGM .DIAPHRAGME	1	1	1	1	1	
17	648-24434-01	.GASKET, BODY .JOINT, CORPS	2	2	2	2	2	
18	95380-03600	.NUT .ECROU	2	2	2	2	2	
19	663-24411-00	.DIAPHRAGM .DIAPHRAGME	1	1	1	1	1	
20	648-24435-02	.GASKET, BODY 2 .JOINT, CORPS 2	1	1	1	1	1	
21	98503-05028	.SCREW, PAN HEAD .VIS, TETE TRONCONIQUE	3	3	3	3	3	
22	92990-05100	.WASHER, SPRING .RONDELLE, GROWER	3	3	3	3	3	
23	6A0-24421-01	.VALVE, CHECK .SOUPAPE, RETENUE	2	2	2	2	2	
24	6A0-14325-00	.SCREW, PAN HEAD .VIS TETE CONIQUE	2	2	2	2	2	
25	6A0-24412-02	.BODY 1 .CORPS 1	1	1	1	1	1	
26	650-24431-A0	GASKET, FUEL PUMP 1 JOINT 1 DE POMPE A ESSENCE	1	1	1	1	1	
27	97095-06040	BOLT BOULON	2	2	2	2	2	

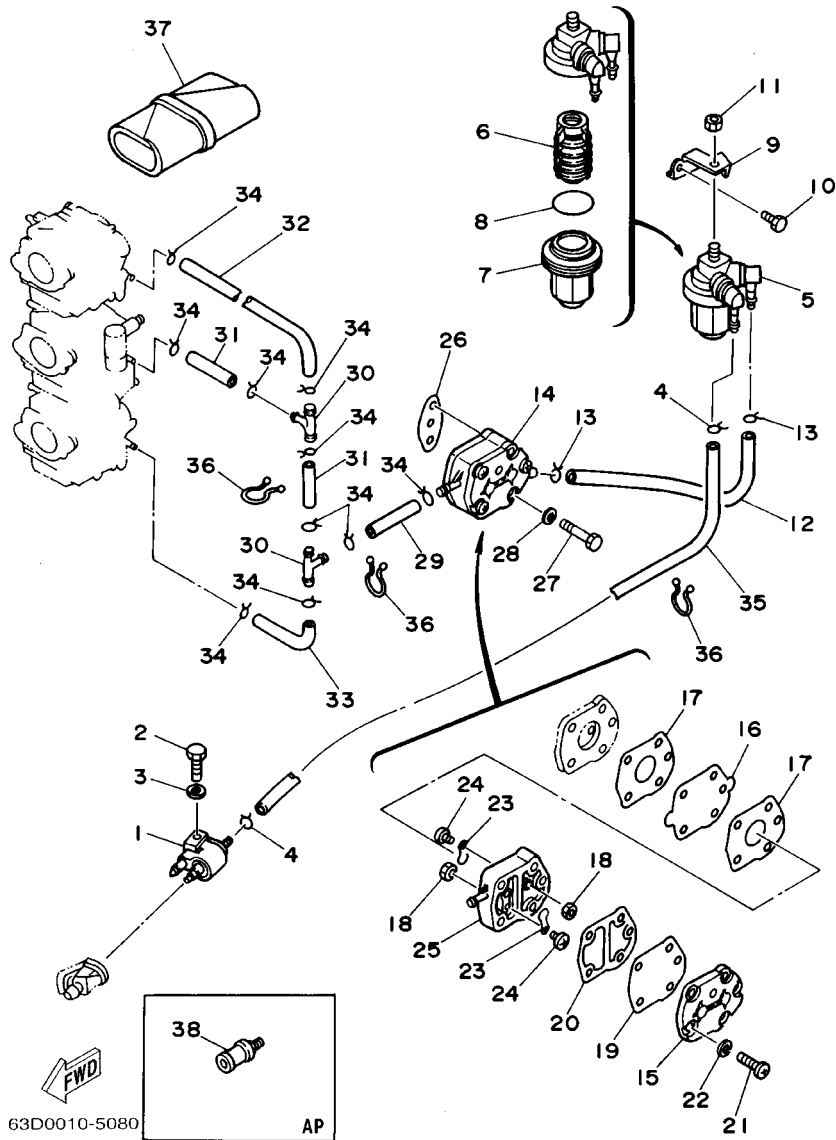
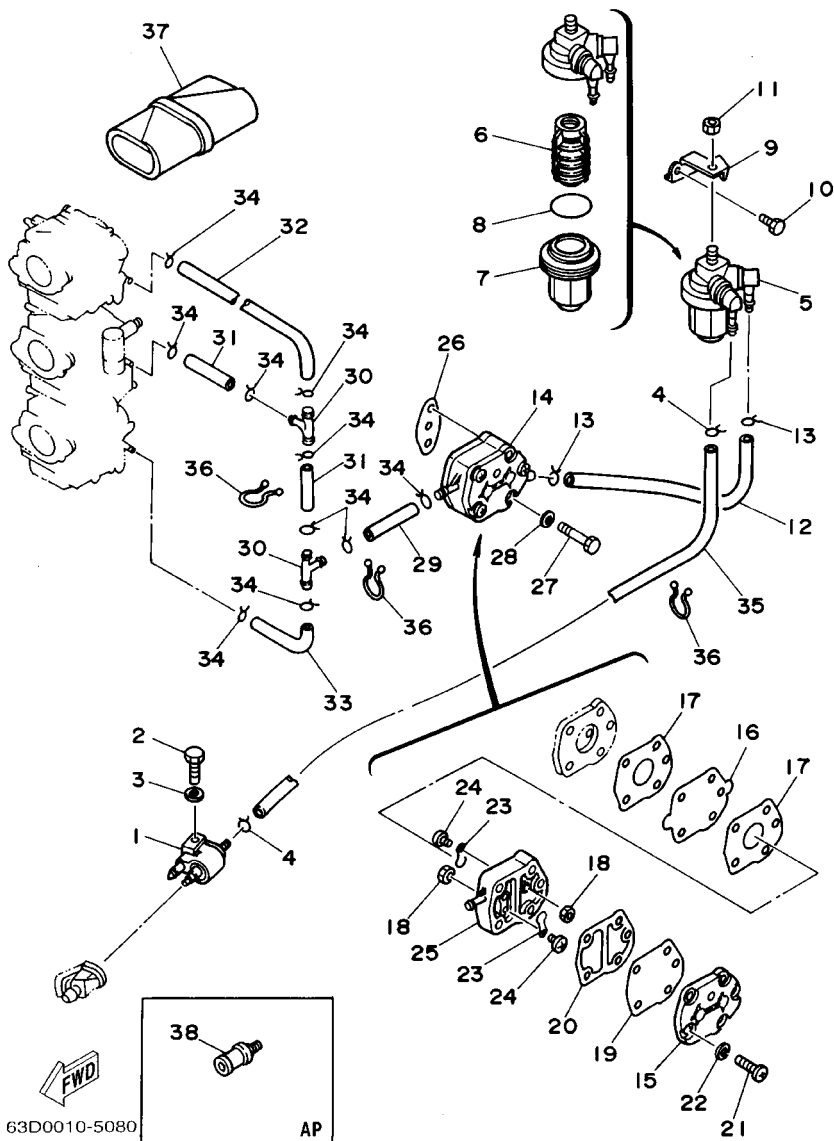


FIG. 8 FUEL

CARBURANT

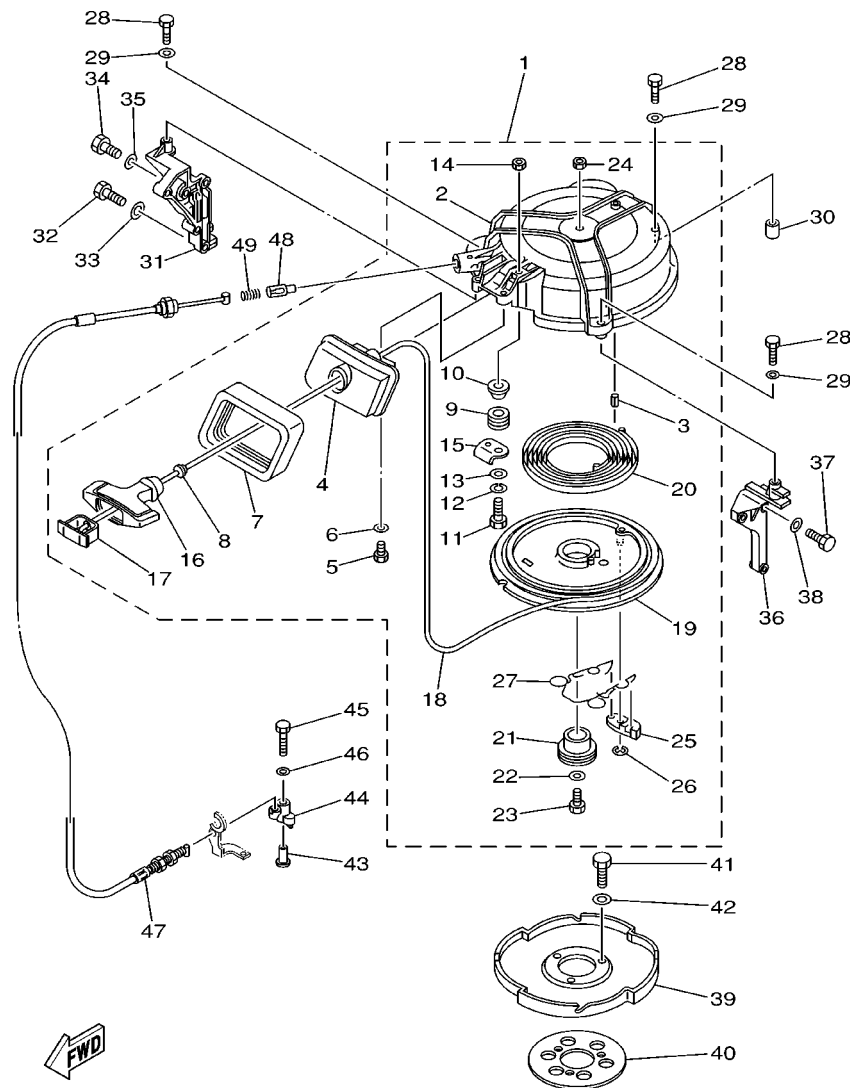
REF. NO.	PART NO. NO. PIECES	DESCRIPTION DESCRIPTION	EDO	ETO	EO	MO	MHO	REMARKS REMARQUES
28	92995-06600	WASHER RONDELLE	2	2	2	2	2	
29	90445-09063	HOSE DURITE	1	1	1	1	1	
30	688-24378-00	PIPE, JOINT 4 DURITE RACCORDEMENT 4	2	2	2	2	2	
31	90445-09057	HOSE (L45) DURITE (L45)	2	2	2	2	2	
32	6H4-24313-00	PIPE 3 DURITE 3	1	1	1	1	1	
33	6H4-24312-00	PIPE 2 DURITE 2	1	1	1	1	1	
34	90467-08004	CLIP JONC	10	10	10	10	10	
35	6H4-24311-00	PIPE, FUEL 1 DURITE A ESSENCE	1	1	1	1	1	
36	90464-15M11	CLAMP BRIDE	3	3	3	3	3	
37	656-W2810-02	TOOL KIT TROUSSE A OUTILS	1	1	1	1	1	
38	6E0-28193-00-94	PLUG, WATER CHECK BOUCHON, CONTROLE D'EAU	1	1	1	1	1	AP D:12.5MM



63D0010-5080

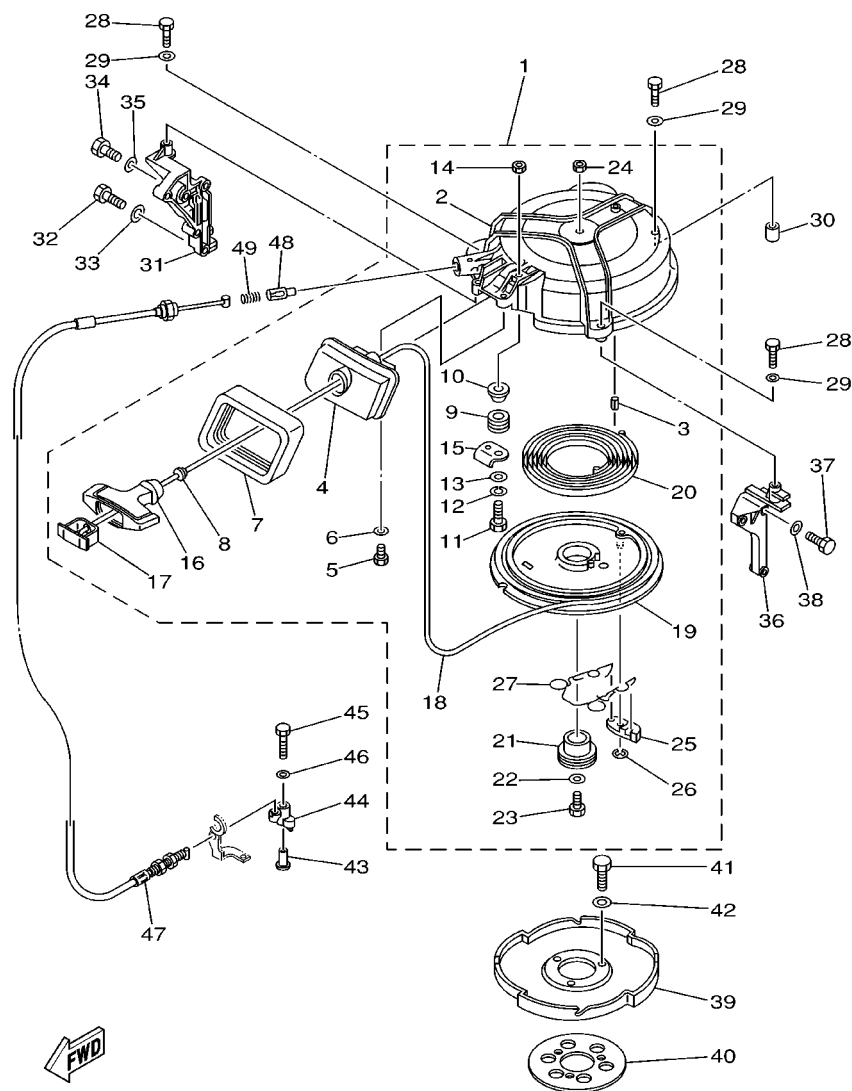
FIG. 9 STARTER

DEMARREUR



63D0010-0090

REF. NO.	PART NO. NO. PIECES	DESCRIPTION DESCRIPTION	EDO	ETO	EO	MO	MHO	REMARKS REMARQUES
1	6H4-15710-04-4D	STARTER ASSY DEMARREUR COMPLET				1	1	
2	6H4-15711-02-94	.CASE, STARTER .CARTER DE DEMARREUR				1	1	
3	91690-40018	.PIN, SPRING .GOUPILLE, ELASTIQUE				1	1	
4	6H4-15758-01-4D	.GUIDE, ROPE .GUIDE DE CABLE				1	1	
5	97095-06016	.BOLT .BOULON				2	2	
6	92990-06600	.WASHER, PLATE .RONDELLE, PLATE				2	2	
7	6H4-15762-00	.SEAL, RUBBER 2 .JOINT CAOUTCHOUC 2				1	1	
8	6A0-15789-00	.DAMPER .AMORTISSEUR				1	1	
9	6F5-15752-00	.ROLLER, WIRE .GALET, CABLE				1	1	
10	90387-06M69	.COLLAR .COLLERETTE				1	1	
11	97095-06030	.BOLT .BOULON				1	1	
12	92995-06100	.WASHER, SPRING .RONDELLE, GROWER				1	1	
13	92990-06600	.WASHER, PLATE .RONDELLE, PLATE				1	1	
14	95380-06600	.NUT, HEXAGON .ECROU				1	1	
15	6H4-15787-01	.STAY .SUPPORT				1	1	
16	689-15755-01	.HANDLE, STARTER .POIGNEE, DE DEMARREUR				1	1	
17	6F5-15779-02	.COVER .COUVERCLE				1	1	
18	*	.WIRE (L:2095MM) .FIL (L:2095MM)				1	1	
19	6H4-15714-00	.DRUM, SHEAVE .TAMBOUR, POULIE				1	1	
20	90510-08002	.SPRING, SPIRAL .RESSORT, HELICOIDAL				1	1	
21	6H4-15717-01	.SHAFT, STARTER .AXE DE DEMARREUR				1	1	
22	90201-065F3	.WASHER, PLATE .RONDELLE, PLATE				1	1	
23	97095-06020	.BOLT .BOULON				1	1	
24	95380-06600	.NUT, HEXAGON .ECROU				1	1	
25	676-15741-03	.PAWL, DRIVE .CLIQUET, ENTRAINEMENT				1	1	
* CUT FROM 50M ROLLS, PART NO. 90890-44373, CUTTING LENGTH 2.095M * A PRELEVER SUR BOBINE 50M , REFERENCE 90890-44373, LONGUEUR DE COUPE 2.095M								



63D0010-0090

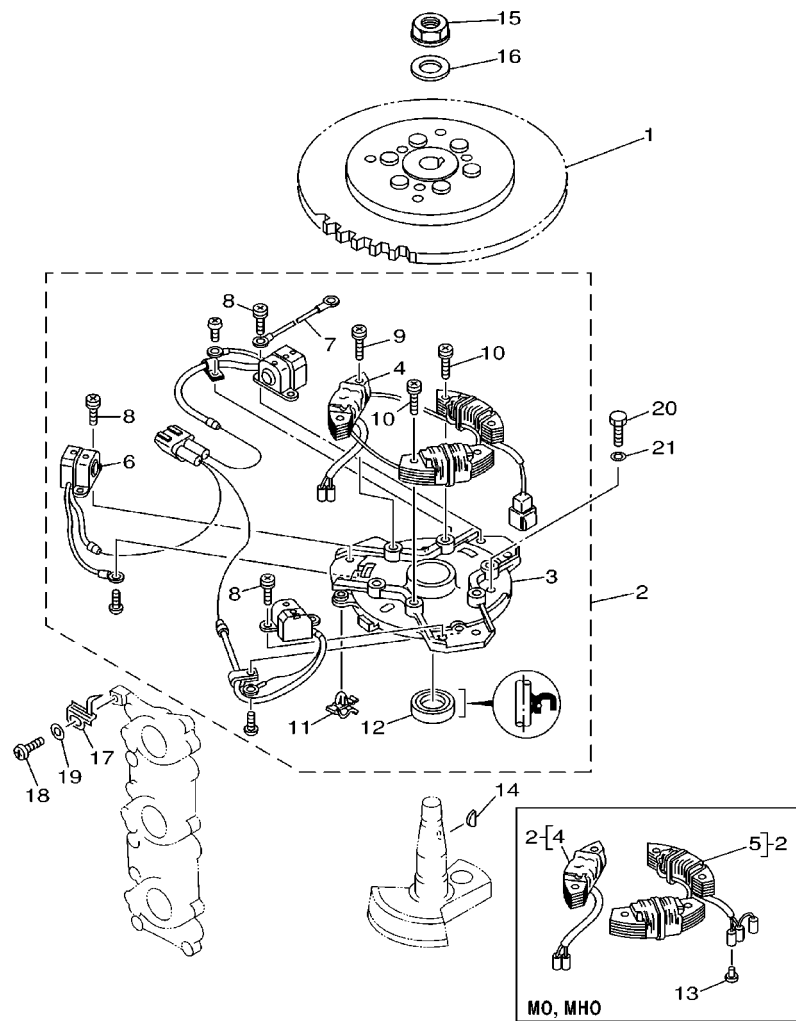
FIG. 9 STARTER

DEMARREUR

REF. NO.	PART NO. NO. PIECES	DESCRIPTION DESCRIPTION	EDO	ETO	EO	MO	MHO	REMARKS REMARQUES
26	93430-06M02	.CIRCLIP .CIRCLIP, TYPE S				1	1	
27	6H4-15705-00	.SPRING, DRIVE PAWL .RESSORT DE CLIQUET				1	1	
28	97095-06035	BOLT BOULON				3	3	
29	92995-06600	WASHER RONDELLE				3	3	
30	99530-10014	PIN, DOWEL GOUJON, D'ASSEMBLAGE				1	1	
31	63D-15771-00-4D	STAY 1 SUPPORT 1				1	1	
32	97013-08025	BOLT BOULON				2	2	
33	92903-08600	WASHER, PLATE RONDELLE, PLATE				2	2	
34	97013-06020	BOLT BOULON				1	1	
35	92903-06600	WASHER, PLATE RONDELLE, PLATE				1	1	
36	6H4-15772-02-94	STAY 2 SUPPORT 2				1	1	
37	97013-06025	BOLT BOULON				3	3	
38	92903-06600	WASHER, PLATE RONDELLE, PLATE				3	3	
39	6H4-15723-01-94	PULLEY, STARTER POULIE DE DEMARREUR				1	1	
40	6J8-81365-A0	GASKET, HOLE COVER JOINT, COUVERCLE DE TROU				1	1	
41	97013-08020	BOLT BOULON				3	3	
42	92903-08600	WASHER, PLATE RONDELLE, PLATE				3	3	
43	90387-06M66	COLLAR COLLERETTE				1	1	
44	63D-15746-00	ARM BRAS				1	1	
45	97095-06040	BOLT BOULON				1	1	
46	92995-06600	WASHER RONDELLE				1	1	
47	63D-15770-00	CABLE COMP., STARTER STOP CABLE, BUTEE DE DEMAR				1	1	
48	656-15748-00	PLUNGER, STARTER STOP PLONGEUR, BOUTE DE DEMAR				1	1	
49	90501-10227	SPRING, COMPRESSION RESSORT, COMPRESSION				1	1	

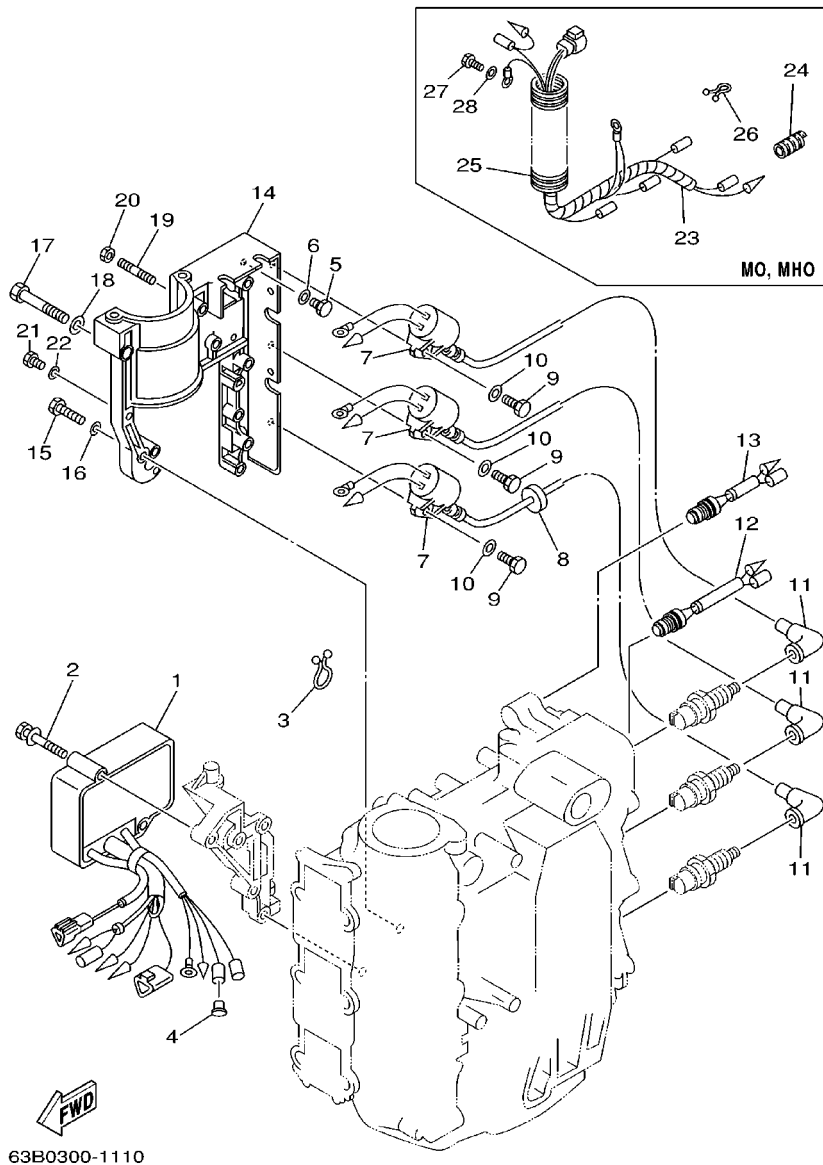
FIG. 10 GENERATOR

GENERATRICE



REF. NO.	PART NO. NO. PIECES	DESCRIPTION DESCRIPTION	EDO	ETO	EO	MO	MHO	REMARKS REMARQUES
1	63D-85550-00	ROTOR ASSY	1	1	1			
	63D-85550-10	ROTOR CPLT						
	63D-85550-10	ROTOR ASSY				1	1	
	63D-85550-10	ROTOR CPLT						
2	63D-85560-10	BASE ASSY	1	1	1			
	63D-85560-00	ENS. FLASQUE						
	63D-85560-00	BASE ASSY				1	1	
	63D-85560-00	ENS. FLASQUE						
3	6H4-15359-04-94	.HOUSING, OIL SEAL	1	1	1	1	1	
	6H4-15359-04-94	.LOGEMENT, BAGUE D'ETANCHEITE						
4	63D-85520-01	.COIL, CHARGE	1	1	1			
	63D-85520-01	.BOBINE, CHARGE						
	63D-85520-00	.COIL, CHARGE				1	1	
	63D-85520-00	.BOBINE, CHARGE						
5	63D-85533-00	.COIL, LIGHTING				1	1	
	63D-85533-00	.BOBINE, ECLAIRAGE						
6	63D-85580-00	.COIL, PULSER	1	1	1	1	1	
	63D-85580-00	.BOBINE, PULSEUR						
7	6H4-83354-00	.WIRE, EARTH LEAD 1	1	1	1	1	1	
	6H4-83354-00	.FIL 1, MASSE						
8	63D-81345-00	.SCREW, WITH WASHER (M5X12)	6	6	6	6	6	
	63D-81345-00	.VIS, AVEC RONDELLE (M5X12)						
9	63D-81345-10	.SCREW, WITH WASHER (M6X25)	2	2	2	2	2	
	63D-81345-10	.VIS, AVEC RONDELLE (M6X25)						
10	63D-81345-20	.SCREW, WITH WASHER (M6X30)	4	4	4	4	4	
	63D-81345-20	.VIS, AVEC RONDELLE (M6X30)						
11	90464-03M15	.CLAMP	1	1	1	1	1	
	90464-03M15	.BRIDE						
12	93102-23096	.OIL SEAL	1	1	1	1	1	
	93102-23096	.JOINT SPY						
13	703-82119-00	.COVER, LEAD WIRE				1	1	40V
	703-82119-00	GARNITURE, FIL						
	703-82119-00	COVER, LEAD WIRE				3	3	40Y
	703-82119-00	GARNITURE, FIL						
14	6H4-11545-00	KEY, WOODRUFF	1	1	1	1	1	
	6H4-11545-00	CLAVETTE, DEMI-LUNE						
15	90179-16M05	NUT	1	1	1	1	1	
	90179-16M05	ECROU						
16	90201-16M44	WASHER, PLATE	1	1	1	1	1	
	90201-16M44	RONDELLE, PLATE						
17	6H4-81332-00	PLATE, TIMING	1	1	1	1	1	
	6H4-81332-00	PLATEAU, ALLUMAGE						
18	97885-05010	SCREW, PAN HEAD	1	1	1	1	1	
	97885-05010	VIS, TETE TRONCONIQUE						
19	92995-05600	WASHER	1	1	1	1	1	
	92995-05600	RONDELLE						
20	97013-06018	BOLT	3	3	3	3	3	
	97013-06018	BOULON						
21	92903-06600	WASHER, PLATE	3	3	3	3	3	
	92903-06600	RONDELLE, PLATE						

FWD
63C0664-0101



63B0300-1110

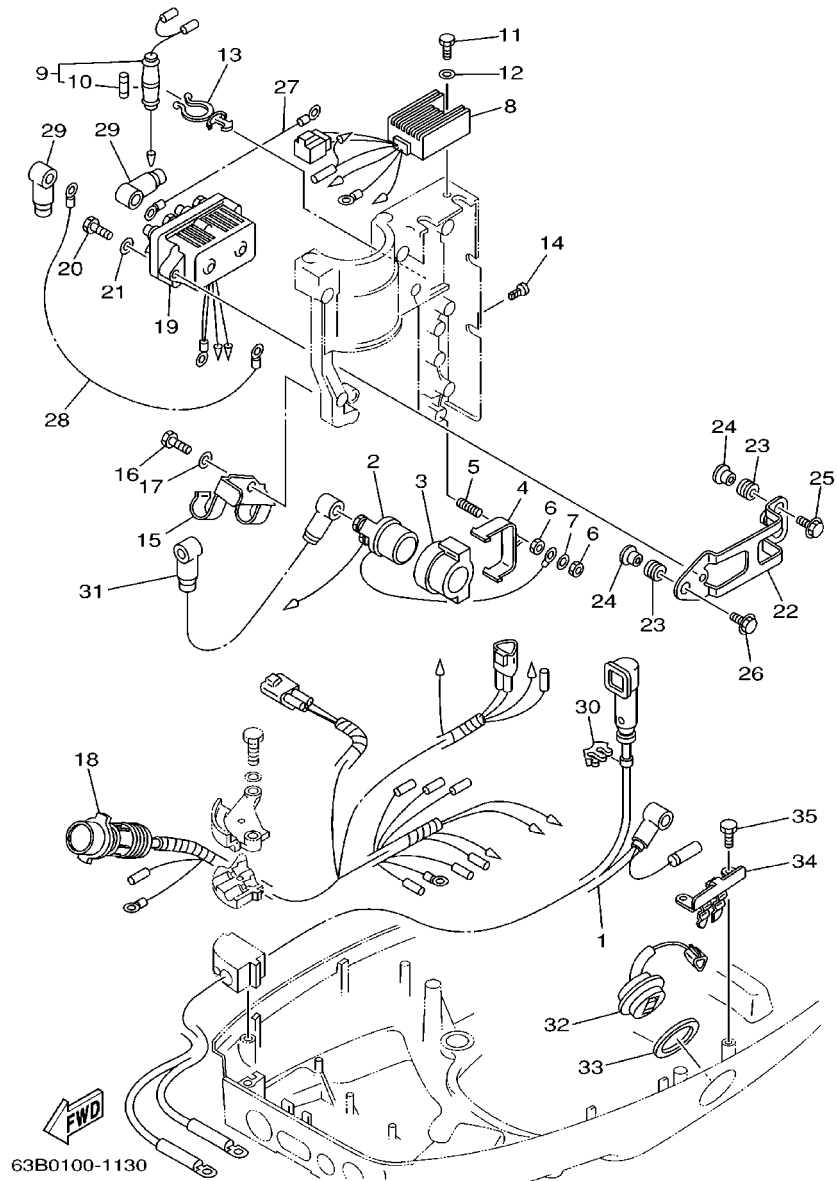
FIG. 11 ELECTRICAL 1

PARTIE ELECTRIQUE 1

REF. NO.	PART NO. NO. PIECES	DESCRIPTION DESCRIPTION	EDO	ETO	EO	MO	MHO	REMARKS REMARQUES
1	63D-85540-02	C.D.I. UNIT ASSY BLOC C.D.I.	1	1	1	1	1	
2	90119-06M51	BOLT, WITH WASHER BOULON, AVEC RONDELLE	2	2	2	2	2	
3	90464-15M11	CLAMP BRIDE	1	1	1	1	1	
4	703-82119-00	COVER, LEAD WIRE GARNITURE, FIL		1				
5	97095-06014	BOLT BOULON	1	1	1	1	1	
6	92995-06600	WASHER RONDELLE	1	1	1	1	1	
7	6H5-85570-00	IGNITION COIL ASSY BOBINE D'ALLUMAGE (ENS.)	3	3	3	3	3	
8	90480-25161	GROMMET PASSE-FIL	1	1	1	1	1	
9	97095-06020	BOLT BOULON	3	3	3	3	3	
10	92995-06600	WASHER RONDELLE	3	3	3	3	3	
11	6G1-82370-21	PLUG CAP ASSY ANTIPARASITE	3	3	3	3	3	
12	689-82560-00	THERMO SWITCH ASSY THERMO-CONTACT COMPLET	1	1	1	1	1	
13	6H4-82560-00	THERMO SWITCH ASSY THERMO-CONTACT COMPLET	1	1	1	1	1	
14	6H4-81822-02-98	BRACKET, STARTING MOTOR SUPPORT, DEMARREUR ELECTRIQUE	1	1	1			
15	97095-06030	BOLT BOULON	4	4	4			
16	92995-06600	WASHER RONDELLE	4	4	4			
17	97013-08050	BOLT BOULON	1	1	1			
18	92903-08600	WASHER, PLATE RONDELLE, PLATE	1	1	1			
19	95670-06640	BOLT, STUD GOIJON	1	1	1			
20	90179-06M24	NUT ECROU	1	1	1			
21	97095-06014	BOLT BOULON	2	2	2			
22	92995-06600	WASHER RONDELLE	2	2	2			
23	63D-82531-00	WIRE, LEAD FIL				1	1	
24	90446-10M02	HOSE DURITE				1	1	
25	6G1-83557-00	TUBE TUBE				1	1	
26	90464-05M16	CLAMP BRIDE				1	1	
27	97095-06014	BOLT BOULON				1	1	

FIG. 12 ELECTRICAL 2

PARTIE ELECTRIQUE 2

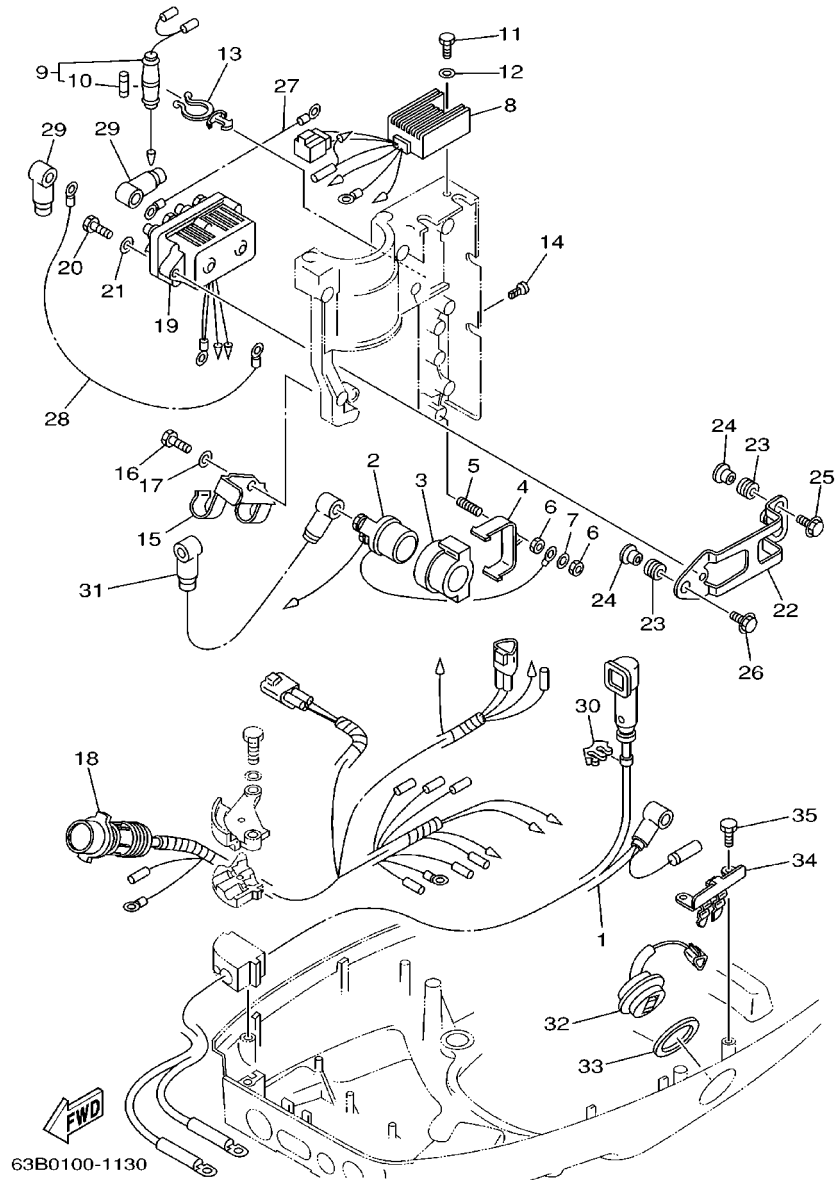


63B0100-1130

REF. NO.	PART NO. NO. PIECES	DESCRIPTION DESCRIPTION	EDO	ETO	EO	MO	MHO	REMARKS REMARQUES
1	6H4-82105-02	WIRE HARNESS FAISCEAU DE FILS	1	1	1			40V,50H
	63D-82105-U0	WIRE HARNESS FAISCEAU DE FILS		1				40Y
2	6G1-81941-10	STARTER RELAY ASSY LANCEUR RELAIS (ENS.)	1	1	1			
3	6H4-81952-00	HOLDER, RELAY SUPPORT, RELAIS	1	1	1			
4	6H4-81945-00	PLATE, SWITCH FITTING PLAQUE, FIXATION DU RELAIS	1	1	1			
5	90116-06M22	BOLT, STUD GOUJON	1	1	1			
6	95380-06600	NUT, HEXAGON ECROU	2	2	2			
7	92990-06600	WASHER, PLATE RONDELLE, PLATE	1	1	1			
8	6H2-81960-10	RECTIFIER & REGULATOR ASSY REDRESSEUR REGULATEUR CPLT	1	1	1			
9	6H4-82150-00	FUSE HOLDER ASSY SUPPORT DE FUSIBLE	1	1	1			
10	682-82151-00	.FUSE (20A) .FUSIBLE (20A)	1	1	1			
11	97095-06014	BOLT BOULON	1	1	1			
12	92995-06600	WASHER RONDELLE	1	1	1			
13	90464-15M27	CLAMP BRIDE	1	1	1			
14	90338-05M11	PLUG PLOT	2	2	2			
15	63D-82594-00	CLAMP BRIDE	1	1	1			
16	97095-06012	BOLT BOULON	1	1	1			
17	92995-06600	WASHER RONDELLE	1	1	1			
18	63D-82590-20	WIRE HARNESS ASSY FAISCEAU DE FILS COMPLET		1				
	63D-82590-10	WIRE HARNESS ASSY FAISCEAU DE FILS COMPLET	1		1			
19	6H1-81950-00	RELAY ASSY RELAIS COMPLET		1				
20	97095-06025	BOLT BOULON		2				
21	92995-06600	WASHER RONDELLE		2				
22	6H4-81945-20	PLATE, SWITCH FITTING PLAQUE, FIXATION DU RELAIS		1				
23	90480-13M24	GROMMET PASSE-FIL		3				
24	90387-06M05	COLLAR COLLERETTE		3				
25	90105-06M15	BOLT, WASHER BASED BOULON, AVEC RONDELLE		2				

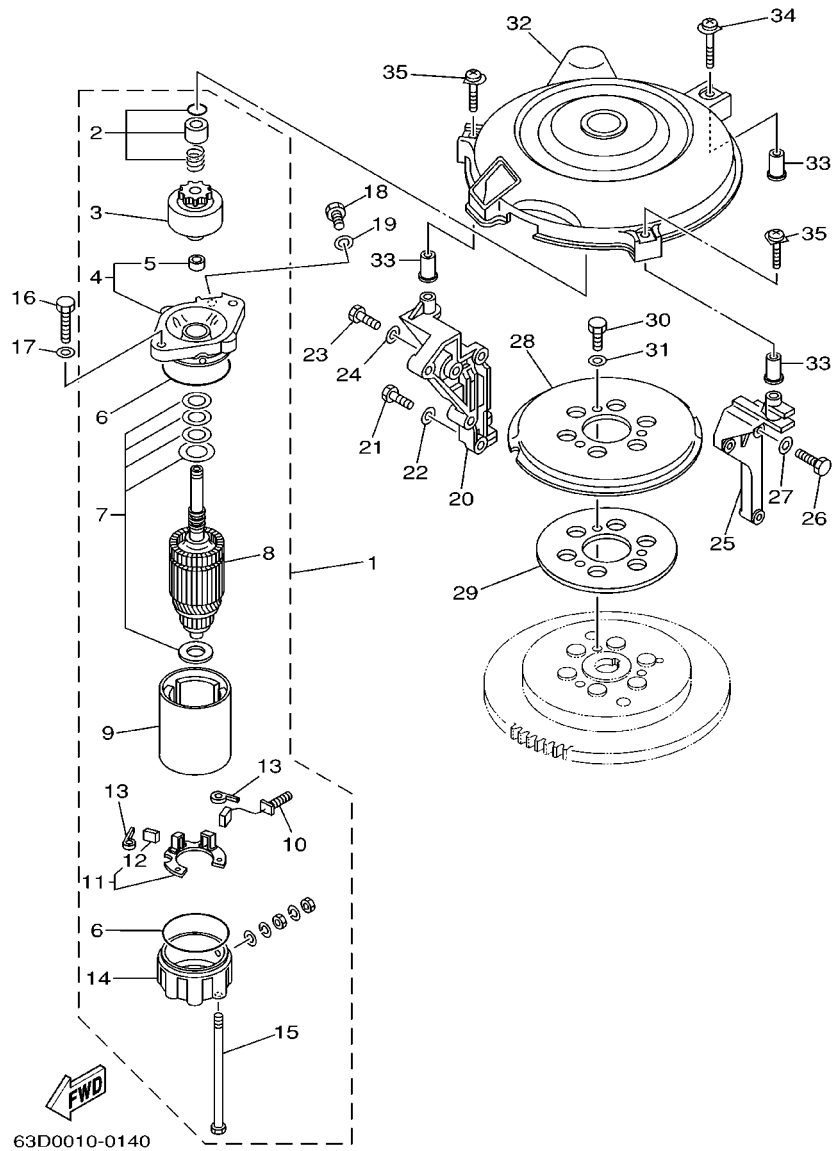
FIG. 12 ELECTRICAL 2

PARTIE ELECTRIQUE 2



63B0100-1130

REF. NO.	PART NO. NO. PIECES	DESCRIPTION DESCRIPTION	EDO	ETO	EO	MO	MHO	REMARKS REMARQUES
26	90105-06M16	BOLT, WASHER BASED BOULON, AVEC RONDELLE		1				
27	6H5-81949-00	WIRE, LEAD FIL		1				
28	61A-81949-00	WIRE, LEAD FIL		1				
29	682-82119-01	COVER, LEAD WIRE GARNITURE, FIL		4				
30	90464-07M20	CLAMP BRIDE	1	1	1			
31	6H4-82117-00	WIRE, LEAD FIL	1	1	1			
32	63D-82563-10	TRIM & TILT SWITCH ASSY INCLINER ET PARER COMMUTATEUR		1				
33	6E5-82587-00	GASKET JOINT		1				
34	6R3-83614-00	BRACKET SUPPORT		1				
35	97095-06016	BOLT BOULON		2				



63D0010-0140

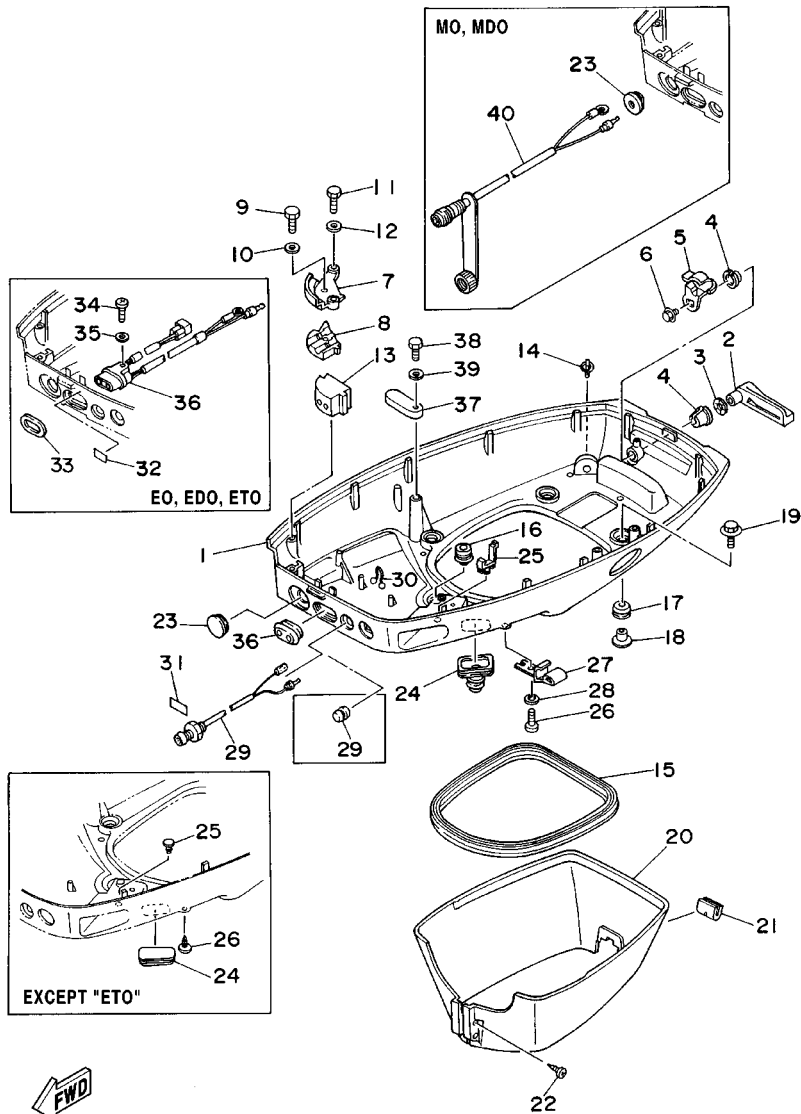
FIG. 15 STARTING MOTOR

DEMARREUR ELECTRIQUE

REF. NO.	PART NO. NO. PIECES	DESCRIPTION DESCRIPTION	EDO	ETO	EO	MO	MHO	REMARKS REMARQUES
1	6F5-81800-11	STARTING MOTOR ASSY DEMARREUR ELECTRIQUE COMPLET	1	1	1			
2	689-81857-11	.PINION STOPPER SET .BUTEE PIGNON	1	1	1			
3	689-81807-12	.GEAR ASSY, STARTING MOTOR .PIGNON, DEMARREUR ELECTRIQUE	1	1	1			
4	6F5-81830-11	.FRONT BRACKET ASSY .SUPPORT AVANT	1	1	1			
5	689-81831-00	..METAL, FRONT ..METAL, AVANT	1	1	1			
6	689-81847-11	.O-RING .JOINT TORIQUE	2	2	2			
7	689-81809-11	.WASHER KIT .JEU DE RONDELLES	1	1	1			
8	689-81850-12	.ARMATURE ASSY .INDUIT	1	1	1			
9	689-81810-11	.STATOR ASSY .STATOR COMPLET	1	1	1			
10	689-81811-11	.BRUSH 1 ..CHARBON_1	1	1	1			
11	689-81840-11	.BRUSH HOLDER ASSY .SUPPORT DE CHARBON	1	1	1			
12	689-81812-11	..BRUSH 2 ..CHARBON 2	1	1	1			
13	689-81813-10	.SPRING, BRUSH ..RESSORT, DE CHARBON	2	2	2			
14	689-81820-11	.REAR BRACKET ASSY .SUPPORT ARRIERE COMPLET	1	1	1			
15	689-81826-10	.BOLT BOULON	2	2	2			
16	97013-08030	.BOLT BOULON	2	2	2			
17	92903-08600	.WASHER, PLATE RONDELLE, PLATE	2	2	2			
18	97013-08016	.BOLT BOULON	1	1	1			
19	92903-08600	.WASHER, PLATE RONDELLE, PLATE	1	1	1			
20	63D-15771-00-4D	.STAY 1 SUPPORT 1	1	1	1			
21	97013-08025	.BOLT BOULON	2	2	2			
22	92903-08600	.WASHER, PLATE RONDELLE, PLATE	2	2	2			
23	97013-06020	.BOLT BOULON	1	1	1			
24	92903-06600	.WASHER, PLATE RONDELLE, PLATE	1	1	1			
25	6H4-15772-02-94	.STAY 2 SUPPORT 2	1	1	1			
26	97013-06025	.BOLT BOULON	3	3	3			
27	92903-06600	.WASHER, PLATE RONDELLE, PLATE	3	3	3			

FIG. 16 BOTTOM COWLING

CAPOT INFERIEUR



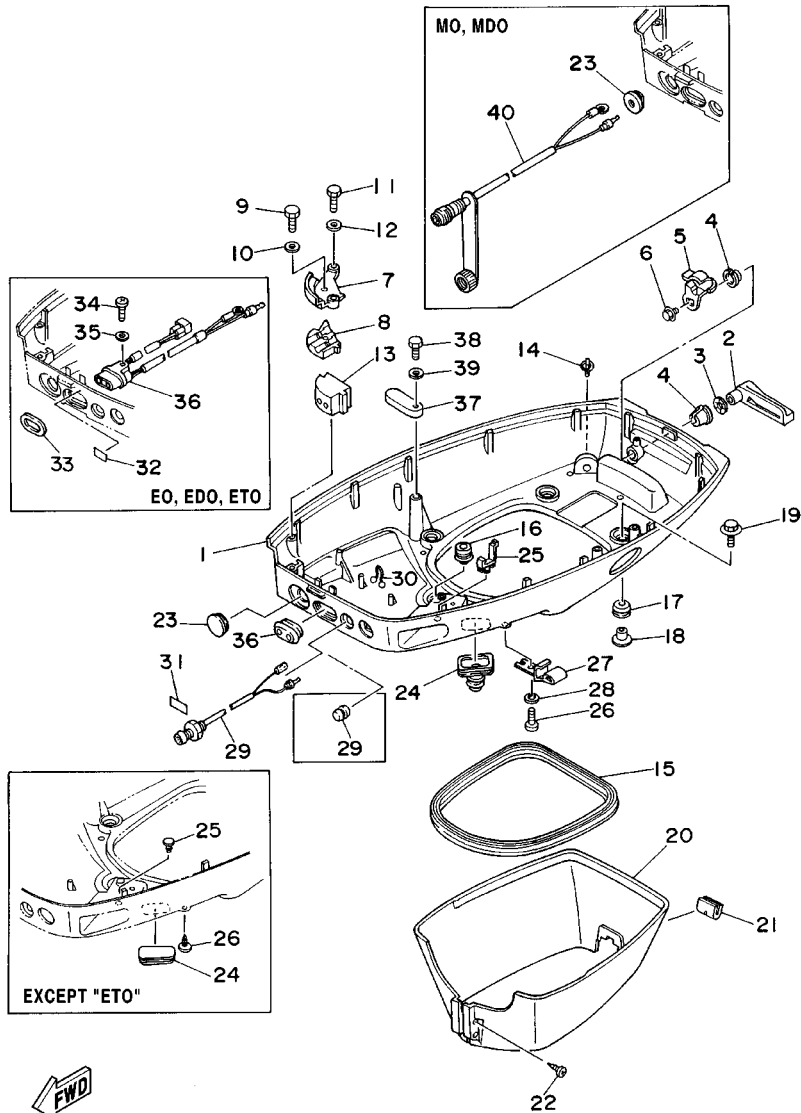
REF. NO.	PART NO. NO. PIECES	DESCRIPTION DESCRIPTION	EDO	ETO	EO	MO	MHO	REMARKS REMARQUES
1	6H4-42711-25-4D	COWLING, BOTTOM CUVETTE		1				
	6H4-42711-07-4D	COWLING, BOTTOM CUVETTE	1		1	1	1	
2	6H4-42815-00	LEVER, CLAMP LEVIER, PRESSE	1	1	1	1	1	
3	90206-12052	WASHER, WAVE RONDELLE, ONDULEE	1	1	1	1	1	
4	90386-12069	BUSH DOUILLE	2	2	2	2	2	
5	6H4-42816-00	LEVER, CLAMP LEVIER, PRESSE	1	1	1	1	1	
6	90119-06M73	BOLT, WITH WASHER BOULON, AVEC RONDELLE	1	1	1	1	1	
7	6H4-48531-11-94	BRACKET, REMOTE CONTROL 1 ETRIER 1, COMMANDE A DISTANCE	1	1	1	1	1	
8	6H4-48532-11-94	BRACKET, REMOTE CONTROL 2 ETRIER 2, COMMANDE A DISTANCE	1	1	1	1	1	
9	97095-05016	BOLT BOULON	1	1	1	1	1	
10	92995-05600	WASHER RONDELLE	1	1	1	1	1	
11	97095-06020	BOLT BOULON	2	2	2	2	2	
12	92995-06600	WASHER RONDELLE	2	2	2	2	2	
13	6H4-42724-20	GROMMET PASSE-FIL	1	1	1			
	6H4-42724-00	GROMMET PASSE-FIL				1	1	
14	6E5-44391-00	NIPPLE, HOSE RACCORD D'ESSENCE	1	1	1	1	1	
15	6H4-42716-00	RUBBER, SEAL 1 JOINT EN CAOUTCHOUC 1	1	1	1	1	1	
16	6E5-42724-00	GROMMET PASSE-FIL	1	1	1	1	1	
17	90480-09M21	GROMMET PASSE-FIL	4	4	4	4	4	
18	90387-06M41	COLLAR COLLERETTE	4	4	4	4	4	
19	90119-06M61	BOLT, WITH WASHER BOULON, AVEC RONDELLE	4	4	4	4	4	
20	63D-42741-00-4D	APRON CAPOT LATERAL	1	1	1	1	1	
21	63D-42717-00	RUBBER, SEAL 2 JOINT EN CAOUTCHOUC 2	1	1	1	1	1	
22	97780-60525	SCREW, TAPPING VIS, TETE FRAISEE	2	2	2	2	2	
23	676-42726-00	GROMMET PASSE-FIL	1	1	1			
	6H4-42726-40	GROMMET PASSE-FIL				1	1	
24	688-42726-10	GROMMET PASSE-FIL		1				



63B0300-5160

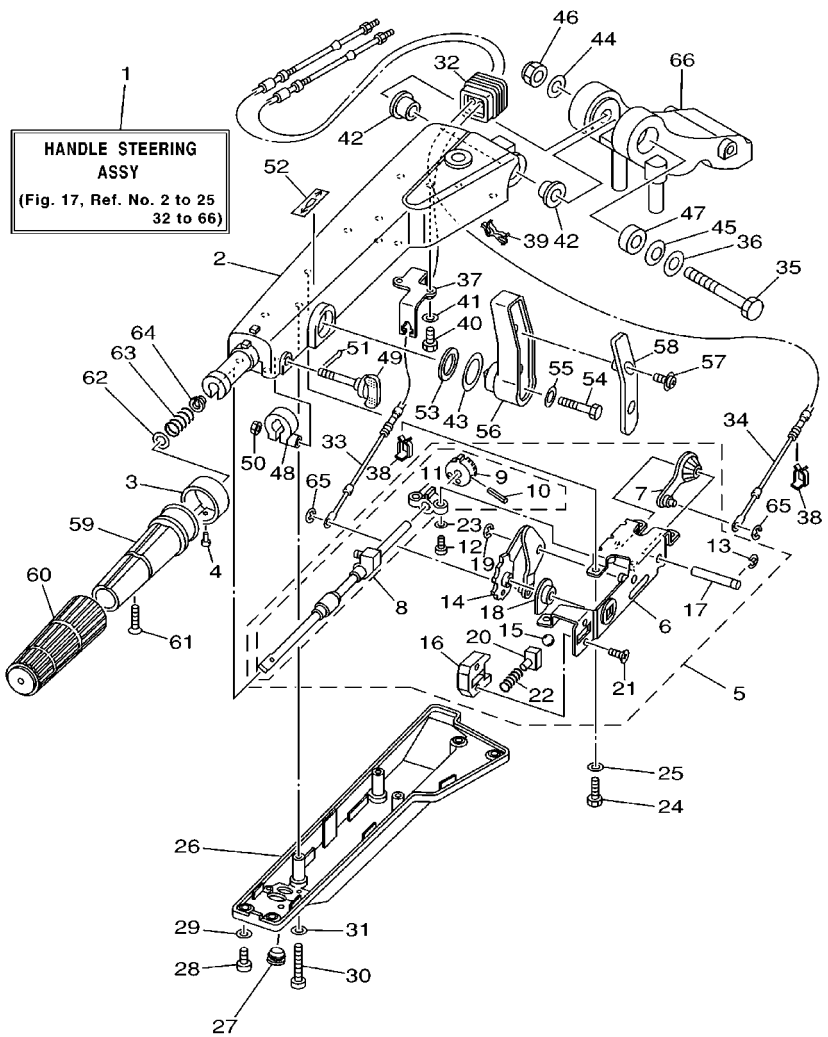
FIG. 16 BOTTOM COWLING

CAPOT INFERIEUR



REF. NO.	PART NO. NO. PIECES	DESCRIPTION DESCRIPTION	EDO	ETO	EO	MO	MHO	REMARKS REMARQUES
24	6H4-42726-00	GROMMET PASSE-FIL	1					
25	90464-09M13	CLAMP BRIDE		1				
	703-82119-00	COVER, LEAD WIRE GARNITURE, FIL	1		1	1	1	
26	90157-06M01	SCREW, PAN HEAD VIS, TETE TRONCONIQUE		1				
	90338-05M03	PLUG PLOT	1		1	1	1	
27	6E5-24367-01	CLAMP, FUEL PIPE 2 COLLIER DE DURITE A ESSENCE		1				
28	92990-06600	WASHER, PLATE RONDELLE, PLATE		1				
29	6H4-42725-00	GROMMET PASSE-FIL	1	1	1			
	6J8-85410-00	EMERGENCY SIGNAL LIGHT ASSY FEU DE DETRESSE					1	1
30	90464-08M07	CLAMP BRIDE					1	1
31	6H4-85415-10	MARK, SIGNAL LAMP ETIQUETTE					1	1
32	63D-84342-00	SEAT, EMBLEM SIEGE, EMBLEME	1	1	1			40V,50H
33	6H4-83589-00	GASKET GARNITURE	1	1	1			40V,50H
34	97880-06014	SCREW, PAN HEAD VIS, TETE TRONCONIQUE	1	1	1			40V,50H
35	92990-06600	WASHER, PLATE RONDELLE, PLATE	1	1	1			40V,50H
36	63D-84301-00	PILOT LIGHT ASSY 1 LAMPE-TEMOIN 1	1	1	1			40V,50H
	6H3-42727-00	GROMMET PASSE-FIL		1		1	1	ETO-40Y
37	6E5-82588-00	PLATE PLAQUE	1	1	1	1	1	
38	97095-06020	BOLT BOULON	1	1	1	1	1	
39	92995-06600	WASHER RONDELLE	1	1	1	1	1	
40	6F5-84340-00	SOCKET CORD ASSY 1 CORDON DE FIL CPLT					1	FOR 701 REMO-CON

63B0300-5160

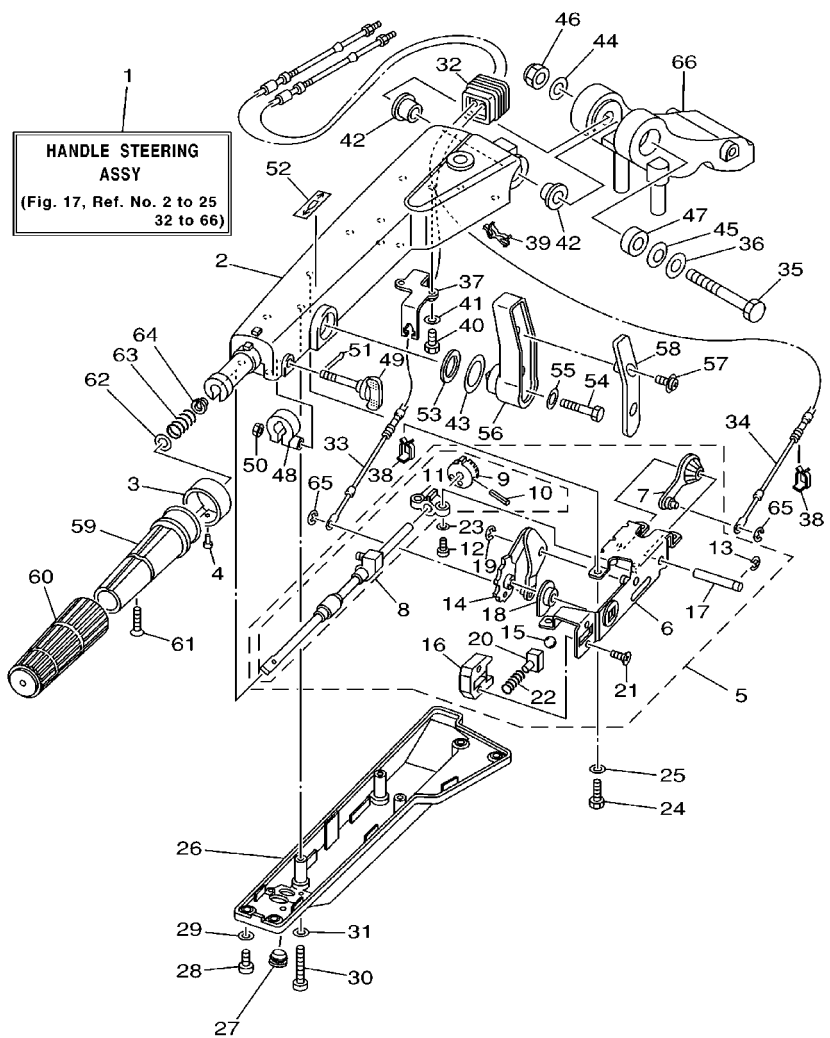


FWD
63B0300-0171

FIG. 17 STEERING

DIRECTION

REF. NO.	PART NO. NO. PIECES	DESCRIPTION DESCRIPTION	EDO	ETO	EO	MO	MHO	REMARKS REMARQUES
1	63D-W0084-00-4D	HANDLE STEERING ASSY BARRE FRANCHE (ENS.)					1	
2	63D-42111-01-4D	HANDLE, STEERING POIGNEE					1	
3	6K5-42137-00	INDICATOR, THROTTLE INDICATEUR, ACCELERATION					1	
4	90269-02M09	RIVET RIVET					1	
5	63D-44100-11	SHIFT LINK ASSY MAILLON DE SELECTEUR					1	
6	63D-44104-00	.PLATE COMP. .PLAQUE COMPLET					1	
7	63D-48261-00	.ARM, THROTTLE .BRAS, ACCELERATION					1	
8	63D-42115-00	.SHAFT, STEERING HANDLE .AXE, BARRE FRANCHE					1	
9	650-42152-00-94	..GEAR ..PIGNON					1	
10	91690-30025	..PIN, SPRING ..GOUPILLE, ELASTIQUE					1	
11	63D-42159-00	..STAY ..SUPPORT					1	
12	98580-06016	.SCREW, PAN HEAD .VIS, TETE TRONCONIQUE					2	
13	93430-08006	.CIRCLIP .CIRCLIP, TYPE S					1	
14	63D-44113-01	.CAM PLATE, HANDLE .CAME, VERROUILLAGE					1	
15	63D-48236-00	ROLLER, DETENT POULIE					1	
16	63D-48119-00	.COVER .COQUILLE					1	
17	63D-42153-00	.SHAFT, THROTTLE CONTROL .AXE, COMMANDE D'ACCELERATION					1	
18	63D-44132-00	.BUSHING .COUSSINET					1	
19	63D-48118-00	.CLIP, SHIFT LEVER ATTACHE, LEVIER DE CHANGER					1	
20	63D-48237-00	.ADAPTOR ADAPTEUR					1	
21	98785-05014	.SCREW, FLAT HEAD .VIS, TETE PLATE					2	
22	63D-48238-00	.SPRING, DETENT .RESSORT					1	
23	63D-42181-00	.WASHER .RONDELLE					2	
24	97095-06016	BOLT BOULON					4	
25	92995-06600	WASHER RONDELLE					4	
26	63D-42131-00	.COVER, HANDLE STEERING COUVERCLE					1	
27	90480-14M14	GROMMET PASSE-FIL					1	

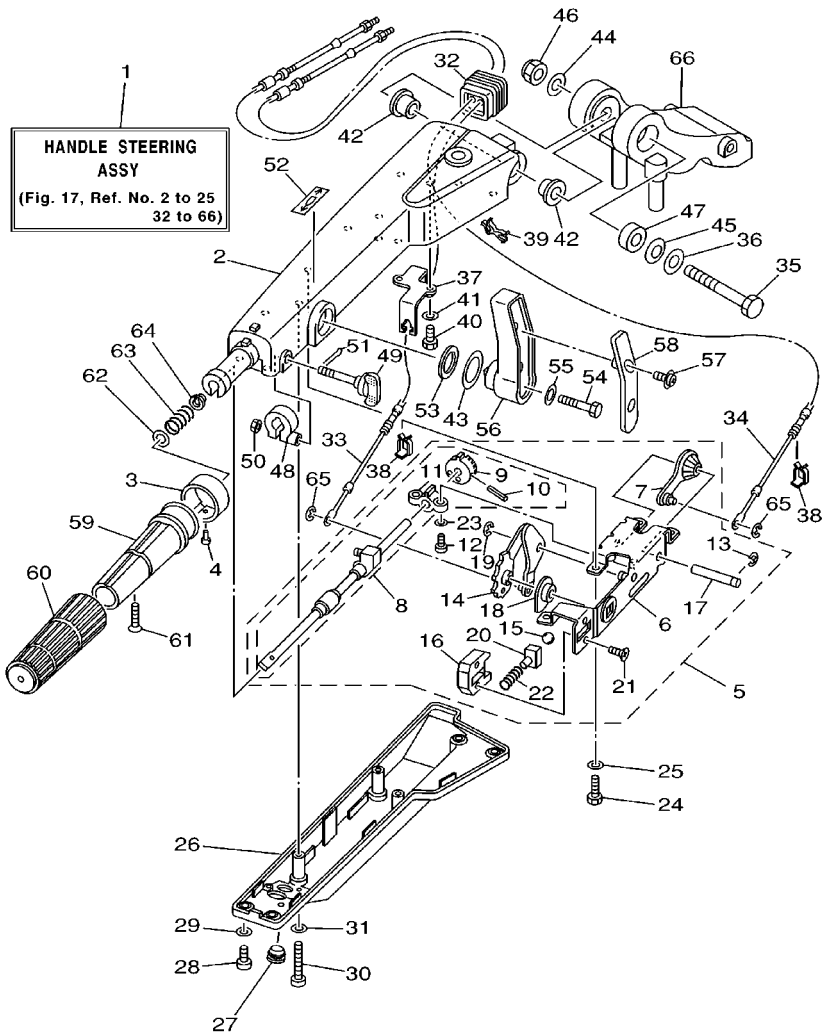


63B0300-0171

FIG. 17 STEERING

DIRECTION

REF. NO.	PART NO. NO. PIECES	DESCRIPTION DESCRIPTION	EDO	ETO	EO	MO	MHO	REMARKS REMARQUES
28	97885-06016	SCREW, PAN HEAD VIS, TETE TRONCONIQUE					4	
29	92995-06600	WASHER RONDELLE					4	
30	97885-06040	SCREW, PAN HEAD VIS, TETE TRONCONIQUE					3	
31	92995-06600	WASHER RONDELLE					3	
32	63D-42725-00	GROMMET PASSE-FIL					1	
33	63D-48321-01	CABLE CABLE					1	
34	63D-26301-01	THROTTLE CABLE ASSY CABLE D'ACCELERATEUR					1	
35	90101-12M09	BOLT BOULON					1	
36	92990-12200	WASHER, PLAIN RONDELLE, PLATE					1	
37	63D-48531-00	BRACKET, REMOTE CONTROL 1 ETRIER 1, COMMANDE A DISTANCE					1	
38	63D-48538-00	CLAMP, CABLE 1 COLLIER					2	
39	90464-09M42	CLAMP BRIDE					1	
40	97095-06016	BOLT BOULON					2	
41	92995-06600	WASHER RONDELLE					2	
42	90386-12M93	BUSH DOUILLE					2	
43	90386-29M95	BUSH DOUILLE					1	
44	92990-12600	WASHER, PLATE RONDELLE, PLATE					1	
45	90206-12M22	WASHER, WAVE RONDELLE, ONDULEE					1	
46	90185-12M12	NUT, SELF-LOCKING ECROU, AUTO-BLOCANT					1	
47	90387-12M02	COLLAR COLLERETTE					1	
48	63D-42126-00	FRICTION, STEERING HANDLE GRIP CUVETTE, POIGNEE DE DIRECTION					1	
49	63D-48154-00	KNOB, THROTTLE BOUTON, ACCELERATEUR					1	
50	95380-06600	NUT, HEXAGON ECROU					1	
51	91490-20010	PIN, COTTER GOUPILLE, FENDUE					1	
52	6G8-44191-00	INDICATOR, SHIFT ETIQUETTE, EMBRAYAGE					1	
53	90202-24M53	WASHER, PLATE RONDELLE, PLATE					1	
54	97095-08040	BOLT BOULON					1	



FWD
63B0300-0171

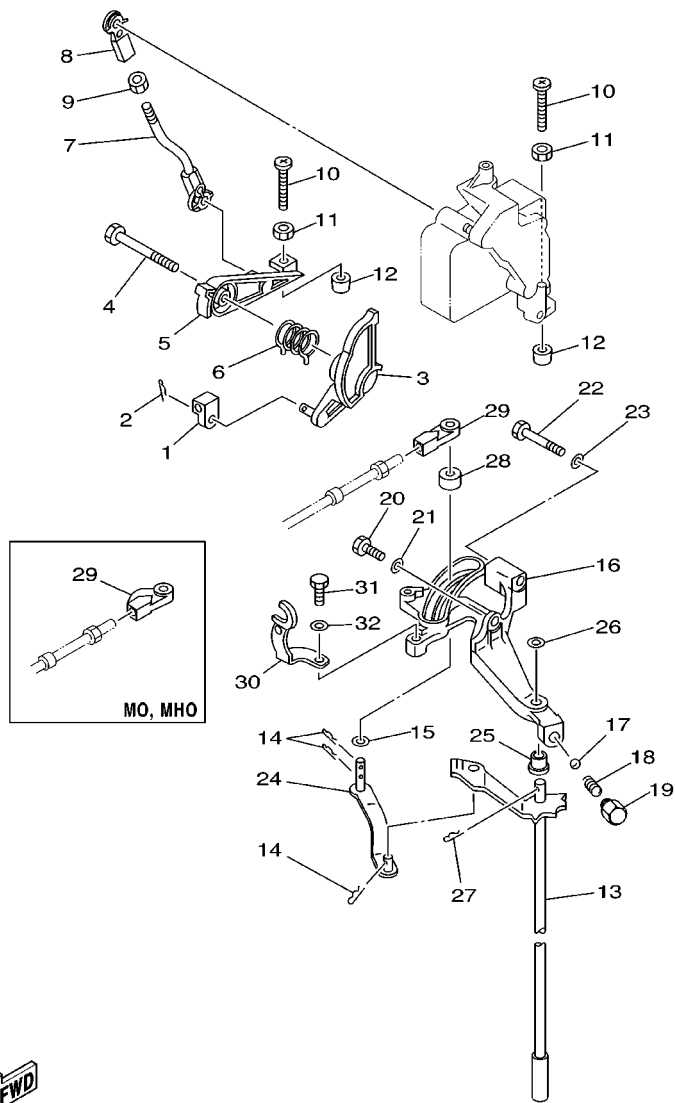
FIG. 17 STEERING

DIRECTION

REF. NO.	PART NO. NO. PIECES	DESCRIPTION DESCRIPTION	EDO	ETO	EO	MO	MHO	REMARKS REMARQUES
55	92995-08600	WASHER RONDELLE					1	
56	63D-44159-01	HANDLE, GEAR SHIFT POIGNEE, LEVIER D'EMBRAYAGE					1	
57	90159-06M18	SCREW, WITH WASHER VIS, AVEC RONDELLE					2	
58	63D-44173-00	LEVER, SHIFT CONTROL POIGNEE, INVERSION					1	
59	664-42119-00	GRIP, STEERING HANDLE POIGNEE, BARRE FRANCHE					1	
60	6G1-42177-00	RUBBER, HANDLE CAOUTCHOUC, POIGNEE					1	
61	90149-05M13	SCREW VIS					1	
62	92903-10600	WASHER, PLATE RONDELLE, PLATE					1	
63	90501-23215	SPRING, COMPRESSION RESSORT, COMPRESSION					1	
64	90386-08032	BUSH DOUILLE					1	
65	93430-04M03	CIRCLIP CIRCLIP, TYPE S					2	
66	63D-42121-00-4D	BRACKET SUPPORT					1	

FIG. 18 CONTROL

COMMANDE



REF. NO.	PART NO. NO. PIECES	DESCRIPTION DESCRIPTION	EDO	ETO	EO	MO	MHO	REMARKS REMARQUES
1	6H4-48344-00	CABLE END, REMOTE CONTROL CHAPE CABLE	1	1	1	1	1	
2	90468-18008	CLIP JONC	1	1	1	1	1	
3	63D-41213-00	CAM, ACCEL. CAME, ACCELERATION	1	1	1	1	1	40V,50H
	68P-41213-A0	CAM, ACCEL. CAME, ACCELERATION		1			1	40Y
4	90109-06M43	BOLT BOULON	1	1	1	1	1	
5	63D-41632-00	LEVER, MAGNETO CONTROL LEVIER, COMMANDE D'AVANCE	1	1	1	1	1	
6	90508-26M35	SPRING, TORSION RESSORT, TORSION	1	1	1	1	1	
7	63D-41636-00	ROD, MAGNETO CONTROL BIELLETTTE, COMMANDE D'AVANCE	1	1	1	1	1	
8	6H4-41237-00	JOINT, LINK RACCORD	1	1	1	1	1	
9	95380-05600	NUT ECROU	1	1	1	1	1	
10	90157-06M13	SCREW, PAN HEAD VIS, TETE TRONCONIQUE	2	2	2	2	2	
11	95303-06600	NUT ECROU	2	2	2	2	2	
12	688-44194-00	CAP CAPUCHON	2	2	2	2	2	
13	63D-44120-00	HANDLE GEAR SHIFT ASSY LEVIER D'EMBRAYAGE	1	1	1	1	1	S
	63D-44120-10	HANDLE GEAR SHIFT ASSY LEVIER D'EMBRAYAGE	1	1	1		1	L
14	90468-18008	CLIP JONC	3	3	3	3	3	
15	90202-07M07	WASHER, PLATE RONDELLE, PLATE	1	1	1	1	1	
16	63D-44117-00	BRACKET SUPPORT	1	1	1	1	1	
17	93501-04M02	BALL BILLE	1	1	1	1	1	
18	90501-12082	SPRING, COMPRESSION RESSORT, COMPRESSION	1	1	1	1	1	
19	648-42715-00	BUSHING COUSSINET	1	1	1	1	1	
20	97013-06020	BOLT BOULON	1	1	1	1	1	
21	92903-06600	WASHER, PLATE RONDELLE, PLATE	1	1	1	1	1	
22	97013-06045	BOLT BOULON	1	1	1	1	1	
23	92903-06600	WASHER, PLATE RONDELLE, PLATE	1	1	1	1	1	
24	63D-44121-00	LEVER, SHIFT ROD LEVIER, TIGE D'INVERSION	1	1	1	1	1	
25	90386-07M58	BUSH DOUILLE	1	1	1	1	1	



63C0664-0170

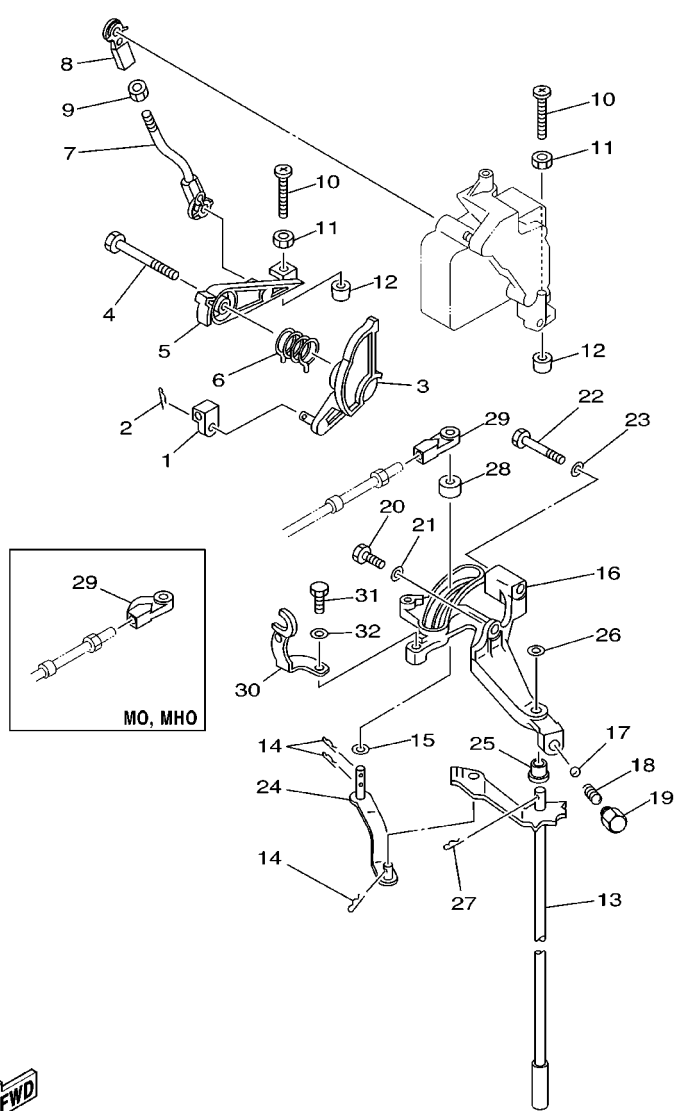


FIG. 18 CONTROL

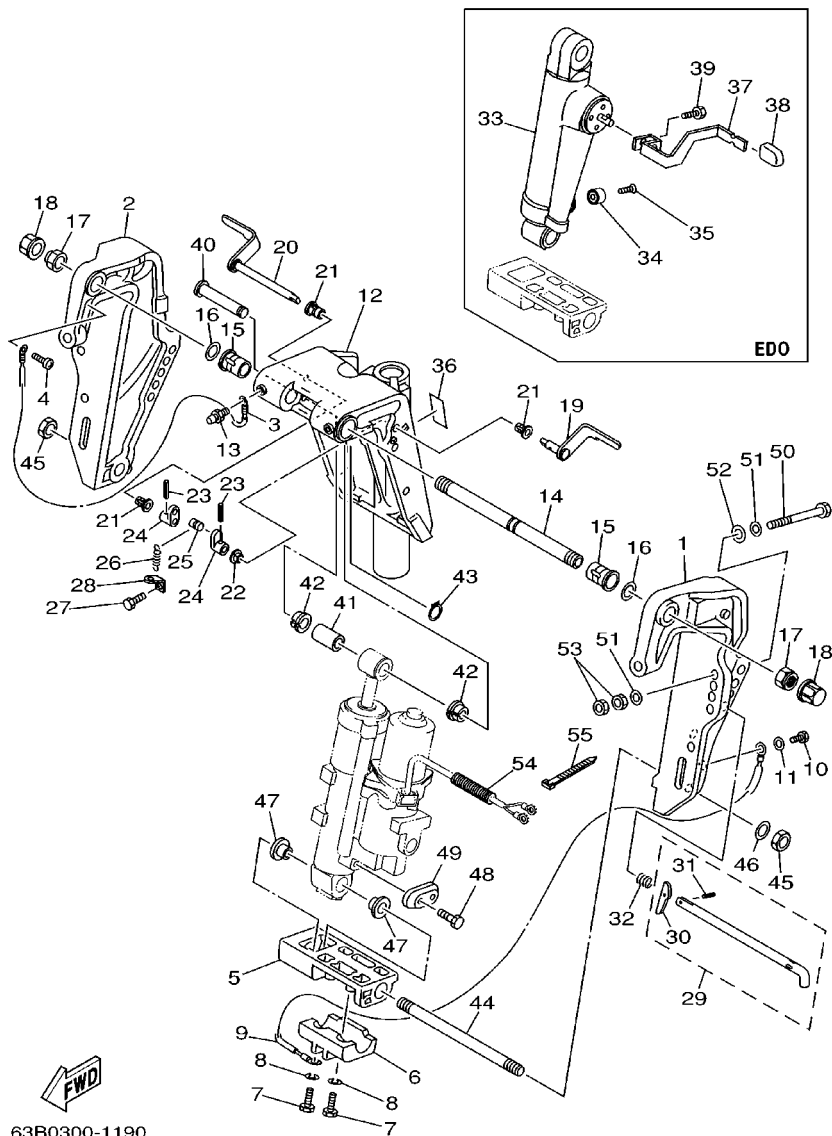
COMMANDE

REF. NO.	PART NO. NO. PIECES	DESCRIPTION DESCRIPTION	EDO	ETO	EO	MO	MHO	REMARKS REMARQUES
26	92990-08200	WASHER, PLAIN RONDELLE, PLATE	1	1	1	1	1	
27	91490-20012	PIN, COTTER GOUPILLE, FENDUE	1	1	1	1	1	
28	688-44122-00	BUSHING, SHIFT ROD LEVER DOUILLE, LEVIER D'EMBRAYAGE	1	1	1	1	1	
29	663-48344-00	CABLE END, REMOTE CONTROL CHAPE CABLE	1	1	1			
	63D-48344-00	CABLE END, REMOTE CONTROL CHAPE_CABLE				1	1	
30	63D-15774-00	STAY 4 SUPPORT 4	1	1	1	1	1	
31	97095-06016	BOLT BOULON	1	1	1	1	1	
32	92995-06600	WASHER RONDELLE	1	1	1	1	1	
<hr/>								
<hr/>								
<hr/>								
<hr/>								
<hr/>								
<hr/>								
<hr/>								
<hr/>								
<hr/>								
<hr/>								


63C0664-0170

FIG. 19 BRACKET 1

SUPPORT 1



63B0300-1190

REF. NO.	PART NO. NO. PIECES	DESCRIPTION DESCRIPTION	EDO	ETO	EO	MO	MHO	REMARKS REMARQUES
1	63D-43111-01-4D	BRACKET, CLAMP PRESSE	1	1				
2	63D-43112-01-4D	BRACKET, CLAMP PRESSE	1	1				
3	63D-82148-00	WIRE, LEAD 4 FIL 4	1	1				
4	97885-06008	SCREW, PAN HEAD VIS, TETE TRONCONIQUE	1	1				
5	63D-43128-01-4D	SPACER, CLAMP BRACKET ENTRETOISE	1	1				
6	63D-45251-00	ANODE ANODE	1	1				
7	97095-06025	BOLT BOULON	2	2				
8	92995-06100	WASHER, SPRING RONDELLE, GROWER	2	2				
9	6H1-82148-00	WIRE, LEAD 4 FIL 4	1	1				
10	97095-06010	BOLT BOULON	1	1				
11	92995-06600	WASHER RONDELLE	1	1				
12	63D-43311-03-4D	BRACKET, SWIVEL 1 SUPPORT, PIVOT 1	1	1				S
	63D-43311-13-4D	BRACKET, SWIVEL 1 SUPPORT, PIVOT 1	1	1				L
13	93700-06M03	NIPPLE, GREASE GRAISSEUR	3	3				
14	63D-43131-01	BOLT, CLAMP BRACKET BOULON, PRESSE	1	1				
15	90386-22M15	BUSH DOUILLE	2	2				
16	90201-22M03	WASHER, PLATE RONDELLE, PLATE	2	2				
17	90185-22M11	NUT, SELF-LOCKING ECROU, AUTO-BLOCANT	2	2				
18	6G5-43145-01	CAP, CLAMP BRACKET CAPUCHON, PRESSE	2	2				
19	6H5-43181-03	LEVER, TILT STOP LEVIER, VERROUILLAGE RELEVAGE	1	1				
20	6H5-43185-03	LEVER, TILT STOP LEVIER, VERROUILLAGE RELEVAGE	1	1				
21	90386-10M16	BUSH DOUILLE	3	3				
22	90386-10025	BUSH DOUILLE	1	1				
23	91690-30020	PIN, SPRING GOUPILLE, ELASTIQUE	2	2				
24	6G5-43148-00	COLLAR, DISTANCE ENTRETOISE	2	2				
25	90249-06M19	PIN GOUPILLE	1	1				
26	90506-14M24	SPRING, TENSION RESSORT, TENSION	1	1				

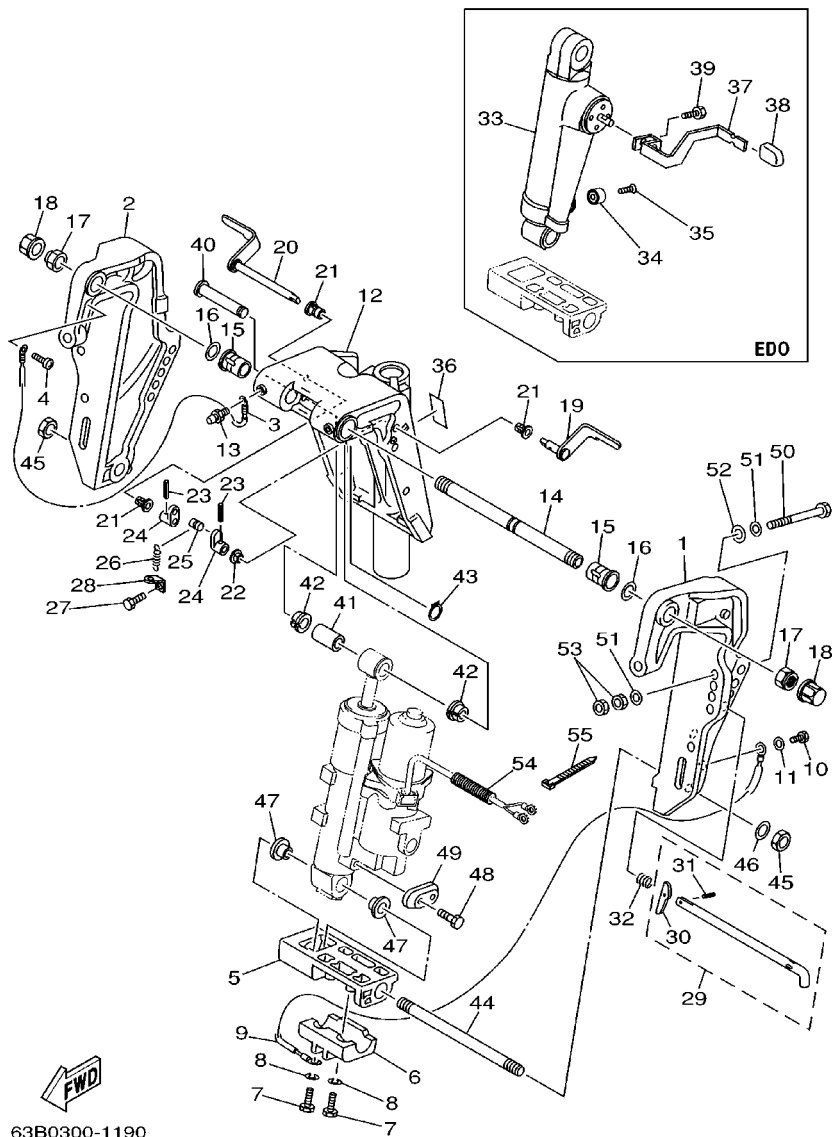


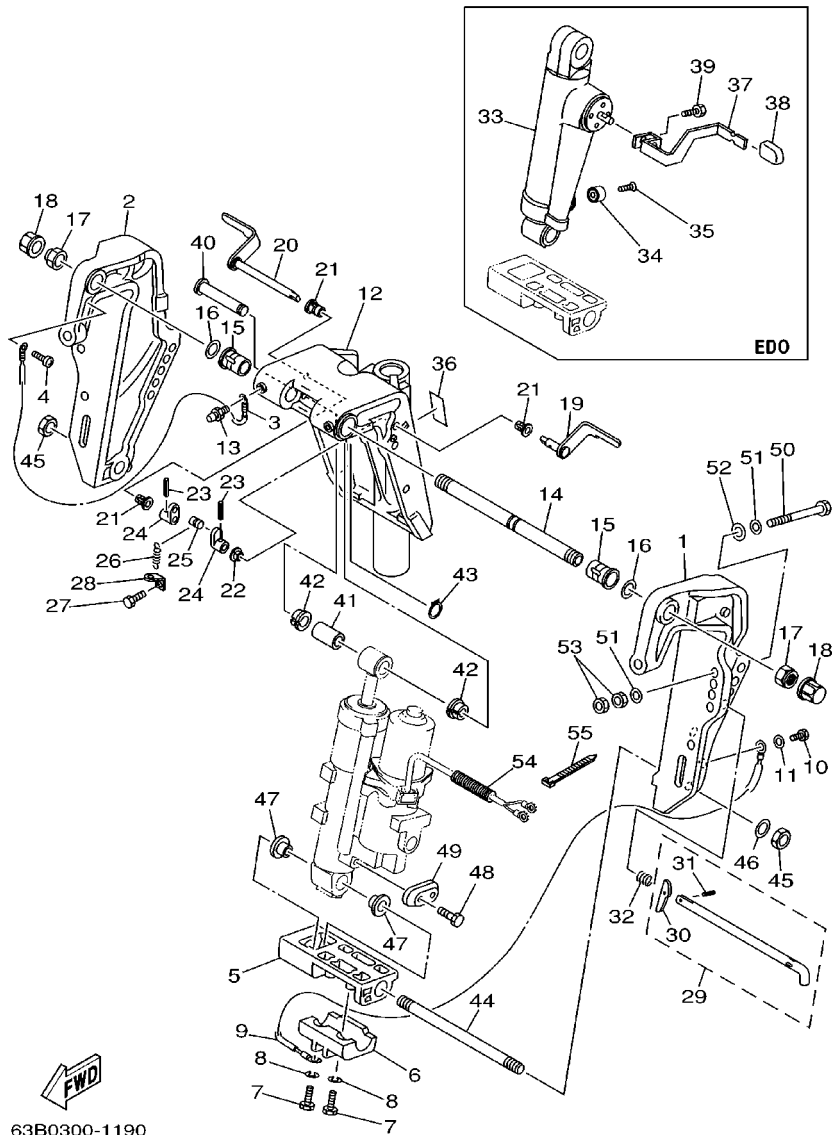
FIG. 19 BRACKET 1

SUPPORT 1

REF. NO.	PART NO. NO. PIECES	DESCRIPTION DESCRIPTION	EDO	ETO	EO	MO	MHO	REMARKS REMARQUES
27	97095-06010	BOLT BOULON	1	1				
28	6G5-43144-00	HOOK, SPRING CROCHET	1	1				
29	688-43160-01	TILT ROD ASSY BROCHE D'INCLINAISON (ENS.)	1	1				
30	688-43165-00	.PLATE, TILT LOCK .TAQUET, BROCHE INCLINAISON	1	1				
31	91690-30012	.PIN, SPRING .GOUPILLE, ELASTIQUE	1	1				
32	90502-16M02	SPRING, CONICAL RESSORT, CONIQUE	1	1				
33	62X-43170-01-4D	SHOCK ABSORBER ASSY AMORTISSEUR (ENS.)	1					S
	62X-43170-11-4D	SHOCK ABSORBER ASSY AMORTISSEUR (ENS.)	1					L
34	663-45251-00	ANODE ANODE	1					
35	90152-06M01	SCREW, COUNTERSUNK VIS, TETE NOYEE	1					
36	63D-43691-00	INDICATOR, TILT ETIQUETTE, RELEVAGE	1					
37	63D-43631-00	LEVER, TILT LEVIER, INCLINAISON	1					
38	682-43318-01	COVER CAPUCHON	1					
39	97095-06010	BOLT BOULON	1					
40	6E5-43126-02	PIN, UPPER SHOCK MOUNT AXE, SUPERIEUR AMORTISSEUR	1	1				
41	90386-18M92	BUSH DOUILLE	1	1				
42	90386-18M35	BUSH DOUILLE	2	2				
43	93410-18M02	CIRCLIP CIRCLIP, TYPE S	1	1				
44	90116-18M52	BOLT, STUD GOUJON	1	1				
45	90170-18M10	NUT ECROU	2	2				
46	92995-18600	WASHER RONDELLE	1	1				
47	90386-18M44	BUSH DOUILLE	2	2				
48	90101-06020	BOLT BOULON		2				
49	65W-45251-00	ANODE ANODE		1				
50	90101-12M65	BOLT BOULON	4	4				
51	92995-12200	WASHER RONDELLE	8	8				
52	90201-12426	WASHER, PLATE RONDELLE, PLATE	4	4				

FIG. 19 BRACKET 1

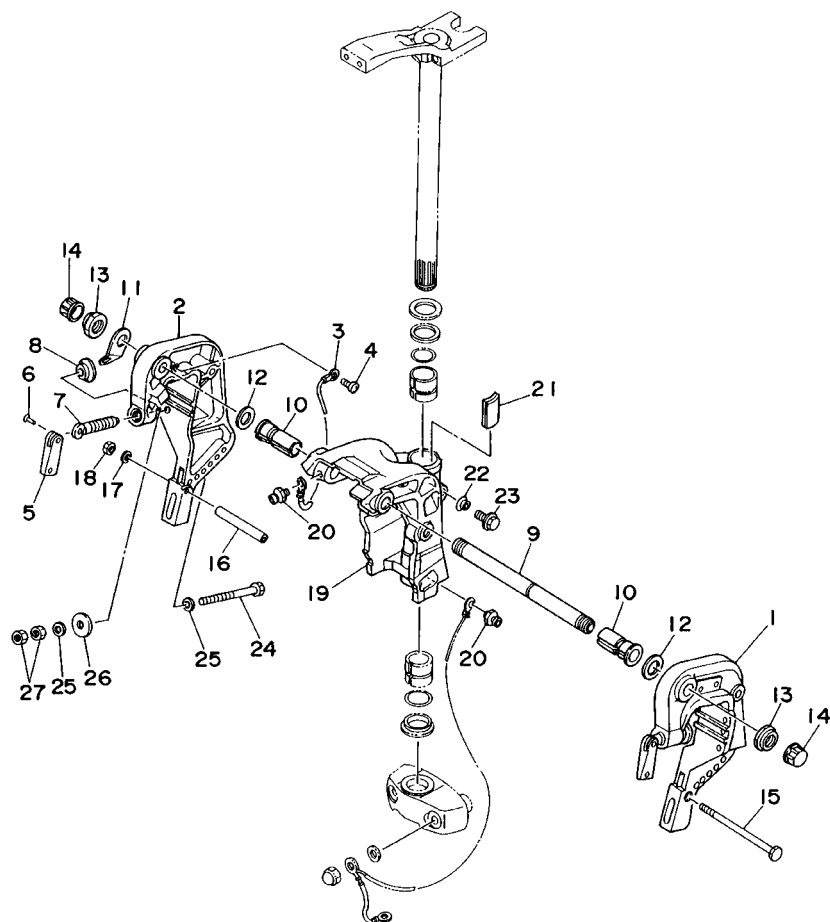
SUPPORT 1



REF. NO.	PART NO. NO. PIECES	DESCRIPTION DESCRIPTION	EDO	ETO	EO	MO	MHO	REMARKS REMARQUES
53	95380-12600	NUT ECROU	8	8				
54	90440-14M00	PIPE DURITE		1				
55	90465-11M10	CLAMP BRIDE		3				

FIG. 20 BRACKET 2

SUPPORT 2

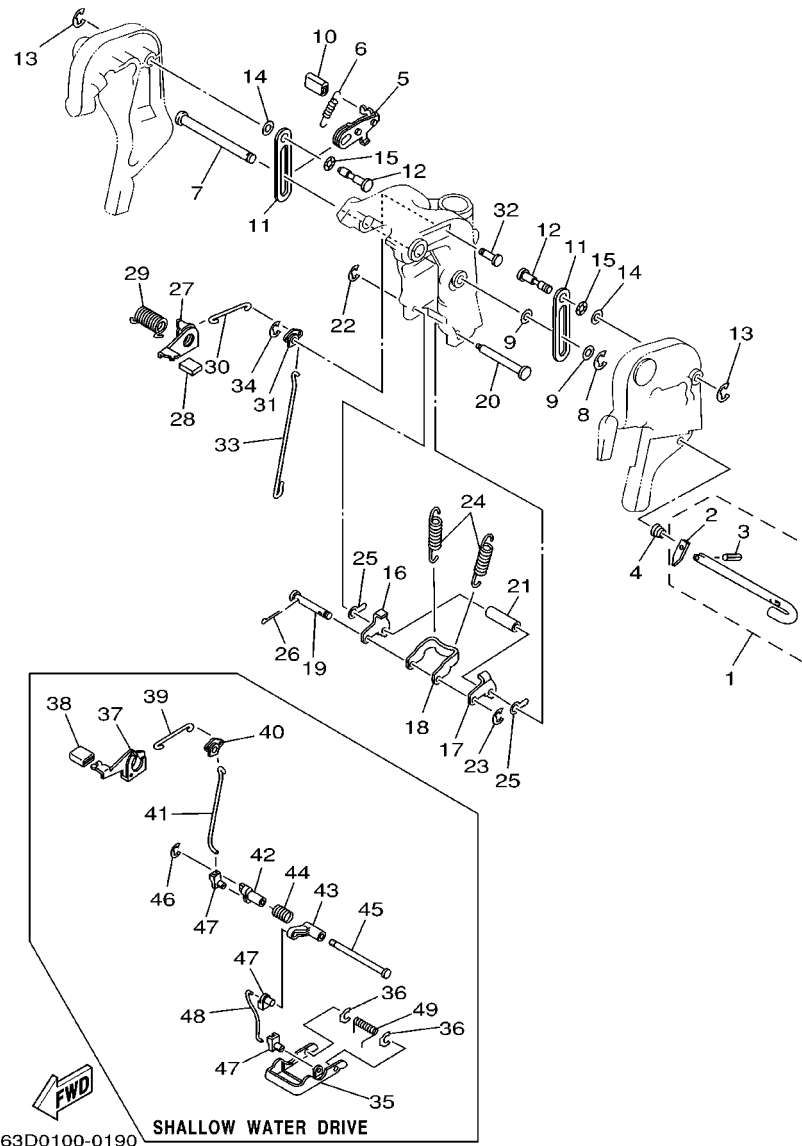


REF. NO.	PART NO. NO. PIECES	DESCRIPTION DESCRIPTION	EDO	ETO	EO	MO	MHO	REMARKS REMARQUES
1	6H4-43111-05-4D	BRACKET, CLAMP PRESSE			1	1	1	
2	6H4-43112-04-4D	BRACKET, CLAMP PRESSE			1	1	1	
3	6E5-82148-00	WIRE, LEAD 4 FIL 4			1	1	1	
4	97885-06008	SCREW, PAN HEAD VIS, TETE TRONCONIQUE			1	1	1	
5	6E0-43118-01	HANDLE, TRANSOM CLAMP POIGNEE DE VIS DE PRESSE			2	2	2	
6	90243-04M01	PIN GOUPILLE			2	2	2	
7	90149-14M12	SCREW VIS			2	2	2	
8	648-43114-01	PAD, TRANSOM CLAMP RONDELLE D'APPUI			2	2	2	
9	63D-43131-01	BOLT, CLAMP BRACKET BOULON, PRESSE			1	1	1	
10	90386-22M69	BUSH DOUILLE			2	2	2	
11	6J8-43113-01	PLATE, CLAMP BRACKET PLAQUETTE, PRESSE			1	1	1	
12	90201-22M03	WASHER, PLATE RONDELLE, PLATE			2	2	2	
13	90185-22M11	NUT, SELF-LOCKING ECROU, AUTO-BLOCANT			2	2	2	
14	6G5-43145-01	CAP, CLAMP BRACKET CAPUCHON, PRESSE			2	2	2	
15	90101-08339	BOLT BOULON			1	1	1	
16	90387-08M03	COLLAR COLLERETTE			1	1	1	
17	92990-08600	WASHER, PLATE RONDELLE, PLATE			1	1	1	
18	95380-08600	NUT ECROU			1	1	1	
19	6J8-43311-04-4D	BRACKET, SWIVEL 1 SUPPORT, PIVOT 1			1	1	1	S
	6J8-43311-10-4D	BRACKET, SWIVEL 1 SUPPORT, PIVOT 1			1		1	L
20	93700-06M03	NIPPLE, GREASE GRAISSEUR			3	3	3	
21	6J8-42528-00	PLATE, FRICTION PLAQUE, FRICTION			1	1	1	
22	689-43373-01	SEAL, DAMPER JOINT			1	1	1	
23	90105-06M18	BOLT, WASHER BASED BOULON, AVEC RONDELLE			1	1	1	
24	90101-10M58	BOLT BOULON			4	4	4	
25	92995-10600	WASHER RONDELLE			8	8	8	
26	90201-12426	WASHER, PLATE RONDELLE, PLATE			4	4	4	

FWD
63D0010-5200

FIG. 21 BRACKET 3

SUPPORT 3



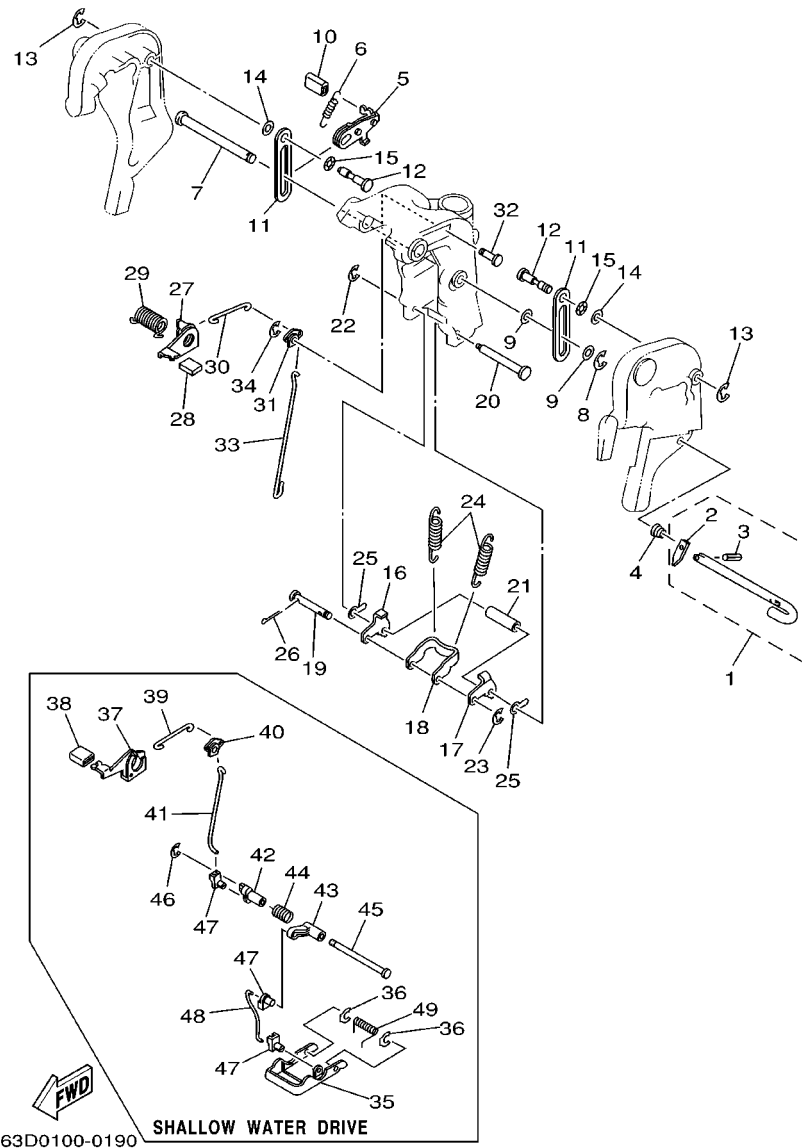
63D0100-0190

SHALLOW WATER DRIVE

REF. NO.	PART NO. NO. PIECES	DESCRIPTION DESCRIPTION	EDO	ETO	EO	MO	MHO	REMARKS REMARQUES
1	6H4-43160-01	TILT ROD ASSY BROCHE D'INCLINAISON (ENS.)			1	1	1	
2	676-43165-00	.PLATE, TILT LOCK .TAQUET, BROCHE INCLINAISON			1	1	1	
3	91690-30010	.PIN, SPRING .GOUPILLE, ELASTIQUE			1	1	1	
4	90502-10M04	SPRING, CONICAL RESSORT, CONIQUE			1	1	1	
5	6J8-43181-01	LEVER, TILT STOP LEVIER, VERROUILLAGE RELEVAGE			1	1	1	
6	90506-12M25	SPRING, TENSION RESSORT, TENSION			1	1	1	
7	90249-12M28	PIN GOUPILLE			1	1	1	
8	93430-10M00	CIRCLIP CIRCLIP, TYPE S			1	1	1	
9	90202-12031	WASHER, PLATE RONDELLE, PLATE			2	2	2	
10	682-43318-01	COVER CAPUCHON			1	1	1	
11	6J8-43627-00	STOPPER PLAQUETTE			2	2	2	
12	90249-12M27	PIN GOUPILLE			2	2	2	
13	93430-10M00	CIRCLIP CIRCLIP, TYPE S			2	2	2	
14	90202-12031	WASHER, PLATE RONDELLE, PLATE			2	2	2	
15	90206-12M16	WASHER, WAVE RONDELLE, ONDULEE			2	2	2	
16	6J8-43614-00	PLATE, TILT LOCK ETRIER, VERROUILLAGE MARCHE AR			1	1	1	
17	6J8-43615-00	PLATE, TILT LOCK ETRIER, VERROUILLAGE MARCHE AR			1	1	1	
18	6J8-43613-01	ARM, TILT LOCK GUIDE			1	1	1	
19	6H4-43659-00	SHAFT, REVERSE LOCK AXE, VERROUILLAGE MARCHE AR			1	1	1	
20	6J8-43611-01	SHAFT, TILT LOCK AXE, VERROUILLAGE MARCHE AR			1	1	1	
21	90387-07M64	COLLAR COLLERETTE			1	1	1	
22	93430-06M02	CIRCLIP CIRCLIP, TYPE S			1	1	1	
23	99080-05600	CIRCLIP CIRCLIP			1	1	1	
24	90506-32M22	SPRING, TENSION RESSORT, TENSION			2	2	2	
25	6H4-43674-00	WASHER RONDELLE			2	2	2	WITHOUT SHALLOW WATER DRIVE
26	91490-20010	PIN, COTTER GOUPILLE, FENDUE			2	2	2	
27	6J8-43631-00	LEVER, TILT LEVIER, INCLINAISON			1	1	1	

FIG. 21 BRACKET 3

SUPPORT 3



REF. NO.	PART NO. NO. PIECES	DESCRIPTION DESCRIPTION	EDO	ETO	EO	MO	MHO	REMARKS REMARQUES
28	6J8-43633-00	COVER, TILT LEVER COUVERCLE			1	1	1	
29	90508-18M24	SPRING, TORSION RESSORT, TORSION			1	1	1	
	90508-18M23	SPRING, TORSION RESSORT, TORSION			1	1	1	AP FOR SHALLOW WATER DRIVE
30	6H4-43616-00	ROD, TILT LOCK TIGE			1	1	1	
31	6J8-43641-00	LEVER, TILT LEVIER, INCLINAISON			1	1	1	
32	90249-06M23	PIN GOUPILLE			1	1	1	
	90249-06M24	PIN GOUPILLE			1	1	1	AP FOR SHALLOW WATER DRIVE
33	6J8-43617-00	ROD, TILT LOCK TIGE			1	1	1	
34	99080-05600	CIRCLIP CIRCLIP			1	1	1	
35	6J8-43681-01	LEVER, SHALLOW WATER DRIVE 1 LEVIER, PEU PROFOND D'EAU 1			1	1	1	AP
36	6J8-43673-00	WASHER 1 RONDELLE			2	2	2	AP
37	6J8-43631-10	LEVER, TILT LEVIER, INCLINAISON			1	1	1	AP
38	6J8-43633-00	COVER, TILT LEVER COUVERCLE			1	1	1	AP
39	6H4-43616-00	ROD, TILT LOCK TIGE			1	1	1	AP
40	6J8-43641-00	LEVER, TILT LEVIER, INCLINAISON			1	1	1	AP
41	6J8-43617-10	ROD, TILT LOCK TIGE			1	1	1	AP
42	6J8-43186-00	LEVER LEVIER			1	1	1	AP
43	6J8-43187-00	LEVER 2 LEVIER			1	1	1	AP
44	90508-25M21	SPRING, TORSION RESSORT, TORSION			1	1	1	AP
45	90249-07M25	PIN GOUPILLE			1	1	1	AP
46	99080-05600	CIRCLIP CIRCLIP			1	1	1	AP
47	6J8-41262-00	JOINT, CHOKE LEVER RACCORD, LEVIER DE STARTER			3	3	3	AP
48	6J8-43616-10	ROD, TILT LOCK TIGE			1	1	1	AP
49	90508-20M22	SPRING, TORSION RESSORT, TORSION			1	1	1	AP

FIG. 22 BRACKET 4

SUPPORT 4

REF. NO.	PART NO. NO. PIECES	DESCRIPTION DESCRIPTION	EDO	ETO	EO	MO	MHO	REMARKS REMARQUES
1	63B-42510-00-4D	STEERING BRACKET ASSY DIRECTION SUPPORT (ENS.)			1	1	1	S
	63D-42510-01-4D	STEERING BRACKET ASSY DIRECTION SUPPORT (ENS.)	1	1				S
	63B-42510-10-4D	STEERING BRACKET ASSY DIRECTION SUPPORT (ENS.)			1		1	L
	63D-42510-11-4D	STEERING BRACKET ASSY DIRECTION SUPPORT (ENS.)	1	1				L
2	90201-30M00	WASHER, PLATE RONDELLE, PLATE	1	1	1	1	1	
3	90386-30M78	BUSH DOUILLE	1	1	1	1	1	
4	90386-30M77	BUSH DOUILLE	2	2	2	2	2	
5	93210-29M94	O-RING JOINT TORIQUE	2	2	2	2	2	
6	90386-30M60	BUSH DOUILLE	1	1	1	1	1	
7	90116-10175	BOLT, STUD GOUJON	2	2	2	2	2	
8	90185-10051	NUT, SELF-LOCKING ECROU, AUTO-BLOCANT	2	2	2	2	2	
9	63D-44551-01-4D	HOUSING, LOWER MOUNT RUBBER BOITIER, SILENT-BLOC INFÉRIEUR	1	1	1	1	1	
10	93410-28M06	CIRCLIP CIRCLIP, TYPE S	1	1	1	1	1	
11	687-44555-00-94	MOUNT DAMPER, LOWER SIDE SILENT-BLOC, INFÉRIEUR LATERAL	2	2	2	2	2	S
	63D-44555-00-94	MOUNT DAMPER, LOWER SIDE SILENT-BLOC, INFÉRIEUR LATERAL	2	2	2		2	L
12	90201-12M16	WASHER, PLATE RONDELLE, PLATE	4	4	4	4	4	
13	90202-25M04	WASHER, PLATE RONDELLE, PLATE	2	2	2	2	2	
14	90201-13M19	WASHER, PLATE RONDELLE, PLATE	2	2	2	2	2	
15	90109-12M21	BOLT BOULON	2	2	2	2	2	
16	663-44575-00	DAMPER, LOWER MOUNT RUBBER SILENT-BLOC, INFÉRIEUR	2	2	2	2	2	
17	95380-12800	NUT, CROWN ECROU, BORGNE	2	2	2	2	2	
18	63D-44552-01-4D	HOUSING, LOWER MOUNT RUBBER BOITIER, SILENT-BLOC INFÉRIEUR	2	2	2	2	2	
19	97075-08030	BOLT BOULON	4	4	4	4	4	
20	92995-08100	WASHER RONDELLE	4	4	4	4	4	
21	63D-82127-00	WIRE, LEAD 2 FIL 2	1	1	1	1	1	S
	63D-82127-10	WIRE, LEAD 2 FIL 2	1	1	1		1	L
22	63D-44514-01-94	MOUNT DAMPER, UPPER SIDE SILENT-BLOC, SUPERIEUR LATERAL	1	1	1	1	1	

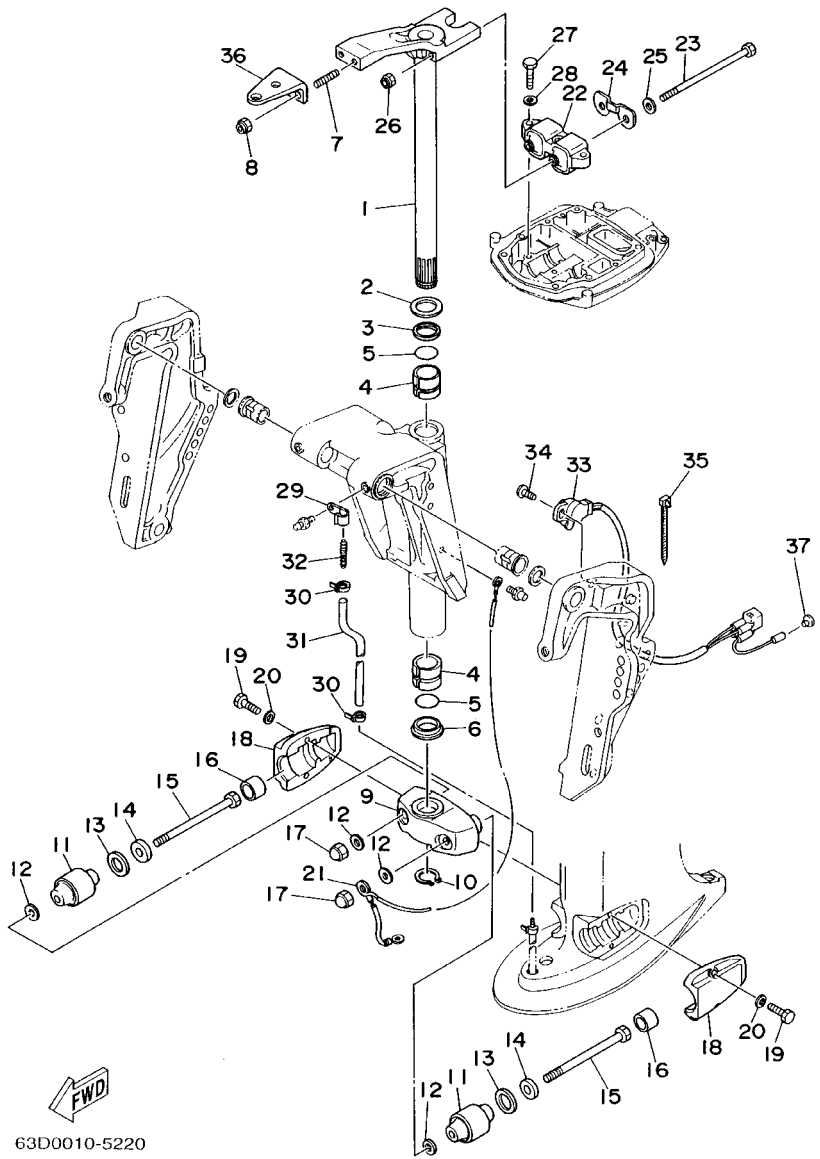
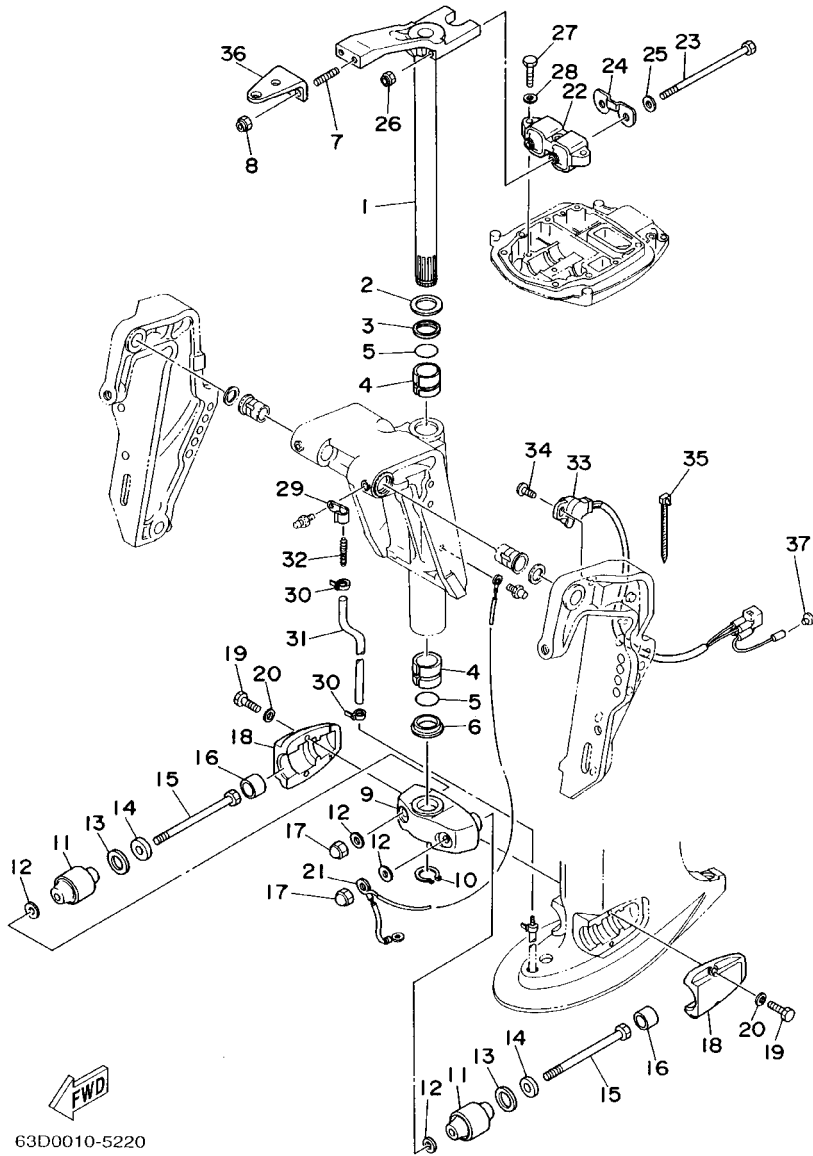


FIG. 22 BRACKET 4

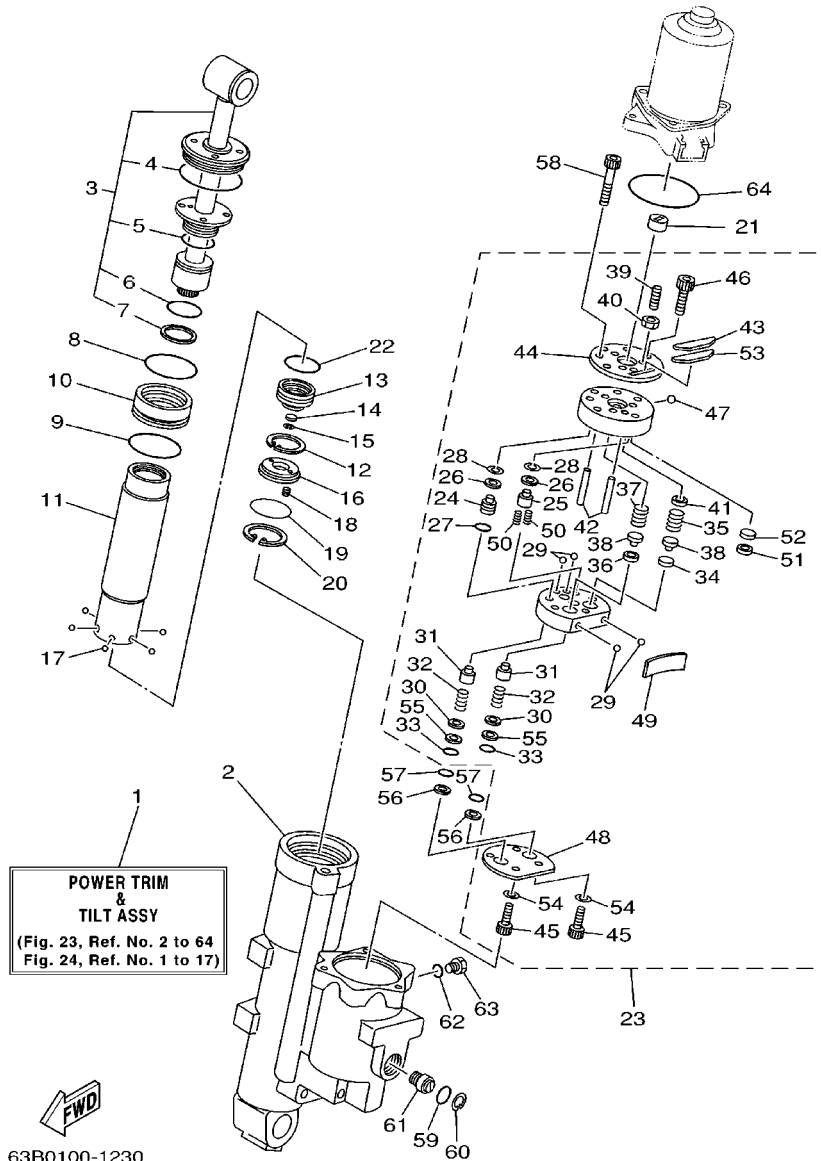
SUPPORT 4

REF. NO.	PART NO. NO. PIECES	DESCRIPTION DESCRIPTION	EDO	ETO	EO	MO	MHO	REMARKS REMARQUES
23	90101-08M15	BOLT BOULON	2	2	2	2	2	
24	63D-44526-00	PLATE PLAQUE	1	1	1	1	1	
25	90201-09425	WASHER, PLATE RONDELLE, PLATE	2	2	2	2	2	
26	90185-08045	NUT, SELF-LOCKING ECROU, AUTO-BLOCANT	2	2	2	2	2	
27	97075-08030	BOLT BOULON	3	3	3	3	3	
28	92995-08100	WASHER RONDELLE	3	3	3	3	3	
29	90465-06M86	CLAMP BRIDE		1				
30	90465-11M10	CLAMP BRIDE		2				
31	90445-07MF1	HOSE (L570) DURITE (L570)		1				
32	6E5-83558-00	END, NIPPLE RACCORD DE NIPPLE		1				
33	63D-83672-01	TRIM SENDER INCLINER RACCORD		1				
34	97885-06016	SCREW, PAN HEAD VIS, TETE TRONCONIQUE		2				
35	90465-13M11	CLAMP BRIDE		1				
36	63D-48511-00-4D	HOOK, STEERING ATTACHE, DIRECTION	1	1	1	1	1	STEERING GUIDE TYPE
37	703-82119-00	COVER, LEAD WIRE GARNITURE, FIL		1				



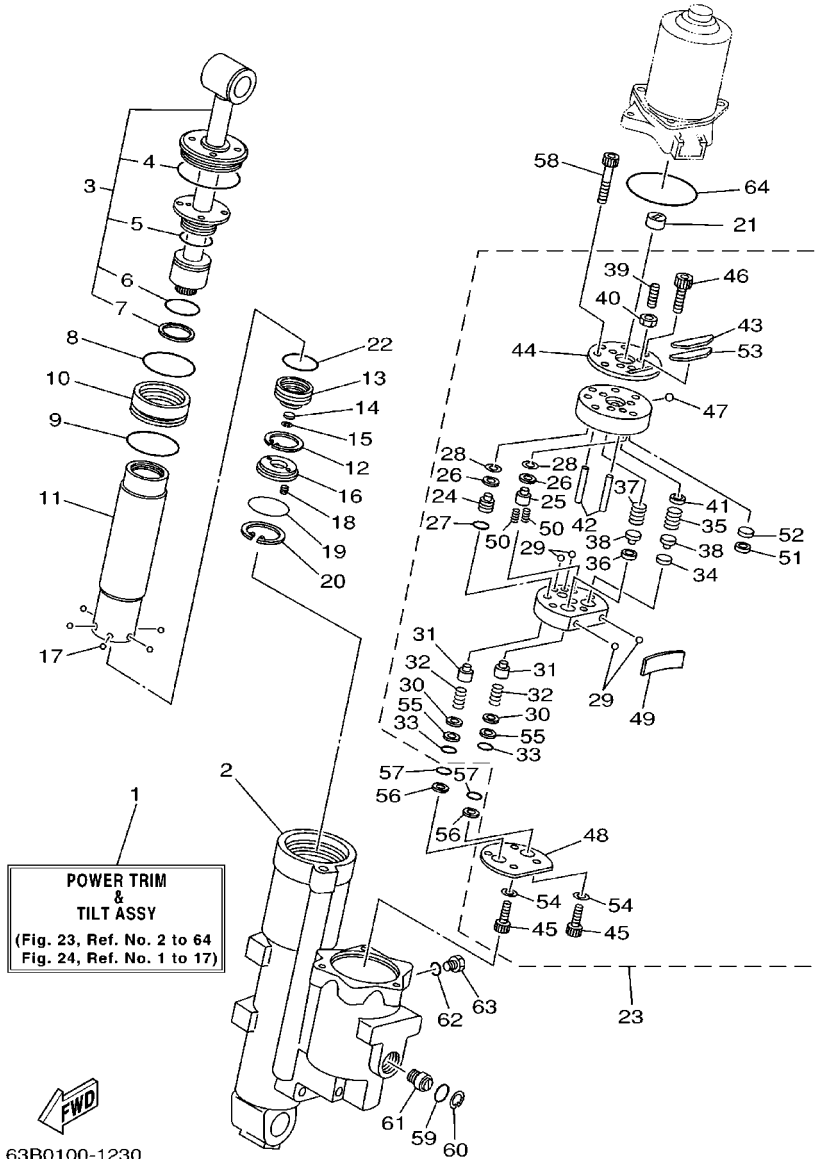
63D0010-5220

FIG. 23 POWER TRIM & TILT ASSY 1 PUISSANCE PARER ET INCLINER 1



REF. NO.	PART NO. NO. PIECES	DESCRIPTION DESCRIPTION	EDO	ETO	EO	MO	MHO	REMARKS REMARQUES
1	62Y-43800-00-4D	POWER TRIM & TILT ASSY PUISSANCE PARER ET INCLINER (ENS.)		1				
2	CS3-4380K-00	CYLINDER, TILT SUB ASSY CYLINDRE		1				
3	62X-43810-01	PISTON SUB ASSY PISTON AUXILIAIRE (ENS.)		1				
4	62X-43861-00	.O-RING .JOINT TORIQUE		1				
5	62X-43862-00	.O-RING .JOINT TORIQUE		1				
6	93210-29375	.O-RING .JOINT TORIQUE		1				
7	62X-43871-00	.RING, BACK UP .SEGMENT		1				
8	93210-44383	O-RING JOINT TORIQUE		1				
9	93210-48214	O-RING JOINT TORIQUE		1				
10	62X-4388A-00	PISTON, TRIM PISTON		1				
11	CS3-22471-00	CYLINDER, SHOCK ABSORBER CYLINDRE, AMORTISSEUR		1				
12	67F-43875-00	RING, SNAP RESSORT		1				
13	CS3-43814-00	PISTON, FREE PISTON		1				
14	6H1-4384G-11	SEAL, RELIEF VALVE JOINT		1				
15	61A-43875-00	RING, SNAP RESSORT		1				
16	62X-43899-00	PLATE STOPPER PLAQUETTE		1				
17	93503-16003	BALL BILLE		6				
18	62X-4384H-00	SPRING RESSORT		2				
19	1UF-22434-00	PLATE, VALVE 1 PLATEAU, SOUPEPE 1		1				
20	62X-43875-00	RING, SNAP RESSORT		1				
21	6H1-43831-10	CONNÉCTOR, SHAFT RACCORD		1				
22	93210-29375	O-RING JOINT TORIQUE		1				
23	CS3-43830-00	GEAR PUMP ASSY POMPE A PIGNON (ENS.)		1				
24	69A-43841-00	.PISTON, SHUTTLE .PISTON		1				
25	69A-4384M-00	.PISTON, SHUTTLE 2 .PISTON 2		1				
26	69A-4384F-00	.SEAL, MAIN VALVE .JOINT		2				
27	6H1-43883-00	.O-RING .JOINT TORIQUE		1				

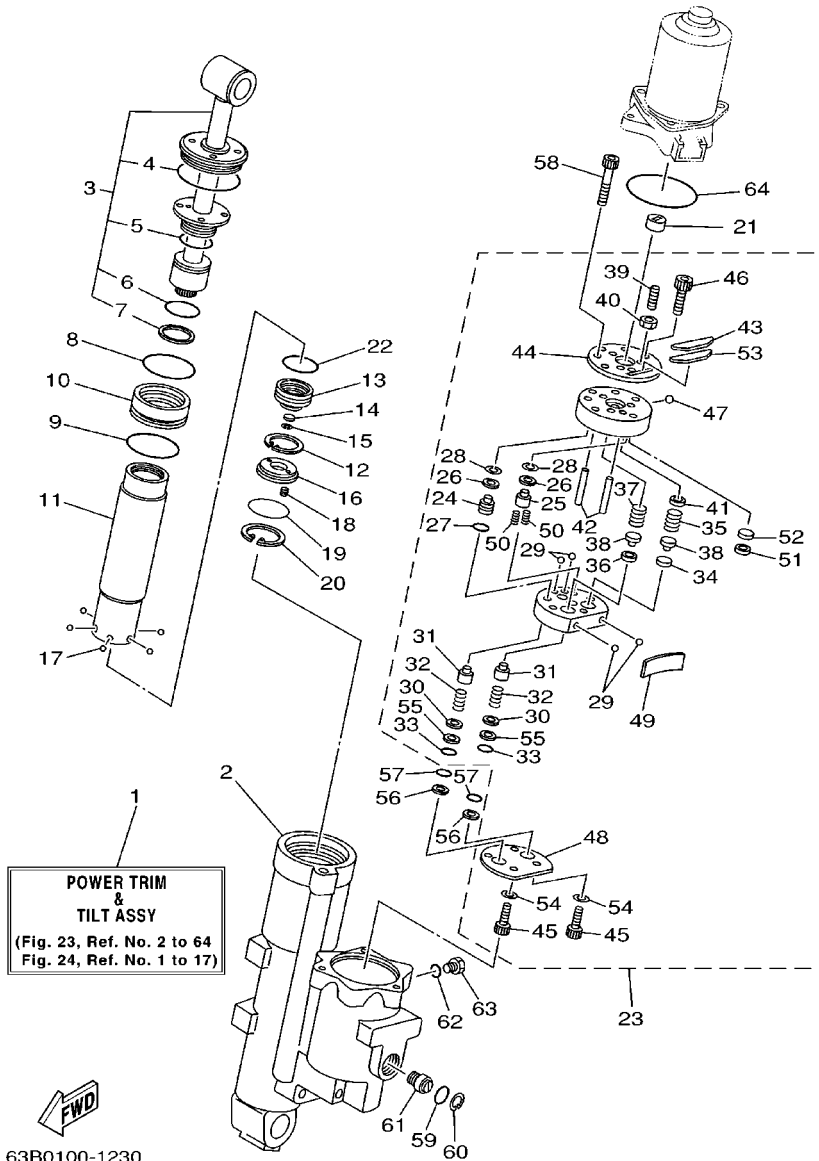
FIG. 23 POWER TRIM & TILT ASSY 1 PUISSANCE PARER ET INCLINER 1



63B0100-1230

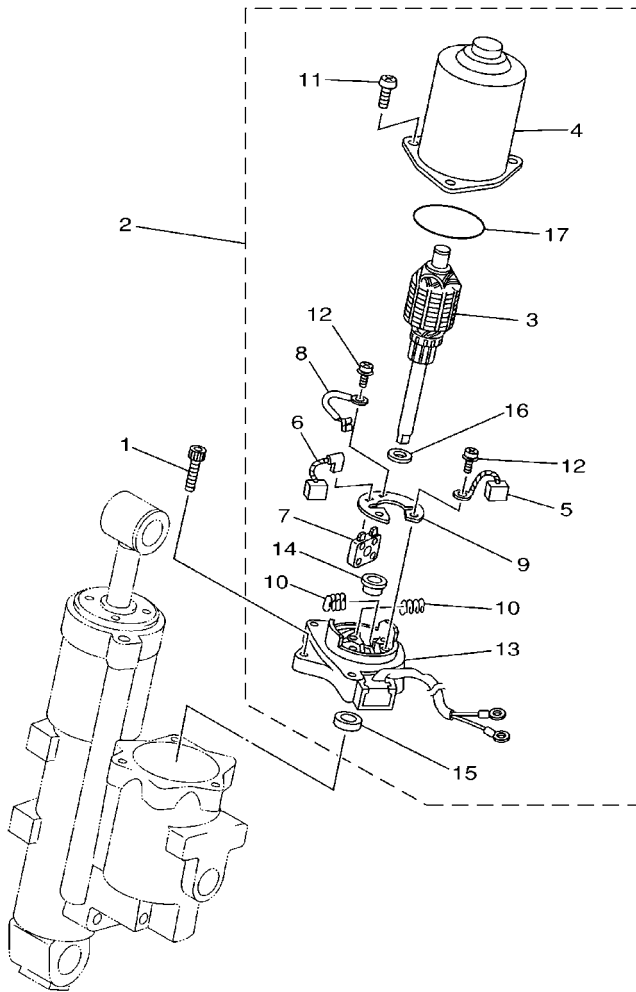
REF. NO.	PART NO. NO. PIECES	DESCRIPTION DESCRIPTION	EDO	ETO	EO	MO	MHO	REMARKS REMARQUES
28	99001-03600	.CIRCLIP .CIRCLIP		2				
29	93505-32038	.BALL .BILLE		4				
30	CS3-4388F-00	.SPACER ENTRETOISE		2				
31	6T4-43808-00	.SEAT VALVE COMP. 1 .SIEGE VALVE COMP. 1		2				
32	CS3-43853-00	.SPRING, MAIN VALVE .RESSORT		2				
33	93210-06001	.O-RING JOINT TORIQUE		2				
34	6H1-4384G-11	.SEAL, RELIEF VALVE JOINT		1				
35	CS3-43855-00	.SPRING, UP RELIEF .RESSORT		1				
36	6H1-4384F-10	.SEAL, MAIN VALVE JOINT		1				
37	6H1-43856-10	.SPRING, DOWN RELIEF .RESSORT		1				
38	6H1-43844-10	.PIN, VALVE SUPPORT .GOUILLE		2				
39	92A08-03110	.SCREW SET .VIS		1				
40	95307-03600	.NUT .ECROU		1				
41	CS3-4382A-00	ADAPTOR 1 ADAPTEUR 1		1				
42	93604-26256	.PIN, DOWEL GOUJON		2				
43	CS3-43816-00	.FILTER 1 FILTRE 1		1				
44	CS3-4382L-00	.CAP, RELIEF VALVE CAPUCHON		1				
45	91318-05020	.BOLT BOULON		2				
46	91318-05008	.BOLT BOULON		2				
47	93501-08001	.BALL BILLE		1				
48	CS3-4384G-00	.SEAL, RELIEF VALVE JOINT		1				
49	CS3-43854-00	.SPRING, MANUAL RELEASE .RESSORT		1				
50	62Y-43894-00	.SPRING, SHUTTLE RETURN .RESSORT		2				
51	CS3-4387J-00	.WASHER, SPECIAL 2 .RONDELLE		1				
52	CK5-22434-00	.PLATE, VALVE 1 .PLATEAU, SOUPAPE 1		1				
53	CS3-4387I-00	.RING, BACK UP SEGMENT		1				
54	CS3-4387G-00	.WASHER .RONDELLE		2				

FIG. 23 POWER TRIM & TILT ASSY 1 PUISSANCE PARER ET INCLINER 1



REF. NO.	PART NO. NO. PIECES	DESCRIPTION DESCRIPTION	EDO	ETO	EO	MO	MHO	REMARKS REMARQUES
55	90201-05M04	.WASHER, PLATE .RONDELLE, PLATE		2				
56	6H1-43816-00	FILTER 1 FILTRE 1		2				
57	93210-06001	O-RING JOINT TORIQUE		2				
58	91318-06040	BOLT BOULON		3				
59	93210-18397	O-RING JOINT TORIQUE		1				
60	6H1-43875-00	RING, SNAP RESSORT		1				
61	CS3-43845-00	SCREW, MANUAL RELEASE VIS		1				
62	93210-09165	O-RING JOINT TORIQUE		1				
63	6H1-43829-00	PLUG, RESERVOIR BOUCHON		1				
64	62X-43865-00	O-RING JOINT TORIQUE		1				

FIG. 24 POWER TRIM & TILT ASSY 2 PUISSANCE PARER ET INCLINER 2

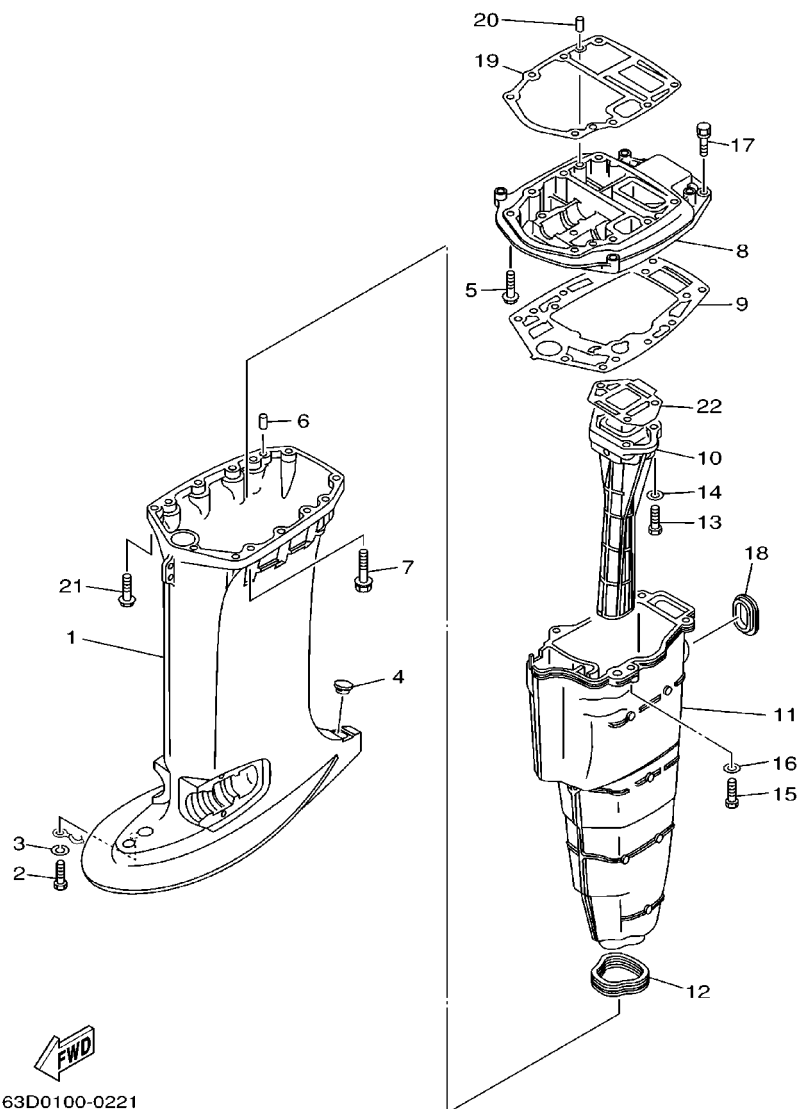


62Y0010-1240

REF. NO.	PART NO. NO. PIECES	DESCRIPTION DESCRIPTION	EDO	ETO	EO	MO	MHO	REMARKS REMARQUES
1	62X-43888-00	BOLT, SOCKET BOULON		3				
2	CS3-43880-00	MOTOR ASSY MOTEUR (ENS.)		1				
3	CS3-43805-00	.ARMATURE ASSY .INDUIT (ENS.)		1				
4	62X-43804-01	.STATOR ASSY .STATOR (ENS.)		1				
5	CS3-43892-00	.BRUSH 2 .BALAI 2		1				
6	CS3-43891-00	.BRUSH 1 .BALAI 1		1				
7	CS3-82181-00	.CIRCUIT BREAKER COMP. .RUPTEUR COMPLET		1				
8	62X-43807-00	.WIRE SUB ASSY .AUXILIAIRE CABLE (ENS.)		1				
9	62X-4380F-00	.PLATE, BRUSH HOLDER .PLAQUE		1				
10	62X-4386K-00	.SPRING, BRUSH .RESSORT, BALAI		2				
11	97880-05020	.SCREW, PAN HEAD .VIS, TETE TRONCONIQUE		3				
12	97607-04212	.SCREW, PAN HEAD WITH WASHER .VIS HEXAGONAL		2				
13	62X-43881-00	.FRAME, END .BATI		1				
14	62X-4380H-00	.METAL .METAL		1				
15	93102-08414	.OIL SEAL .JOINT SPY		1				
16	90201-083J8	.WASHER, PLATE .RONDELLE, PLATE		1				
17	93210-52449	.O-RING .JOINT TORIQUE		1				

FIG. 25 UPPER CASING

FOURREAU

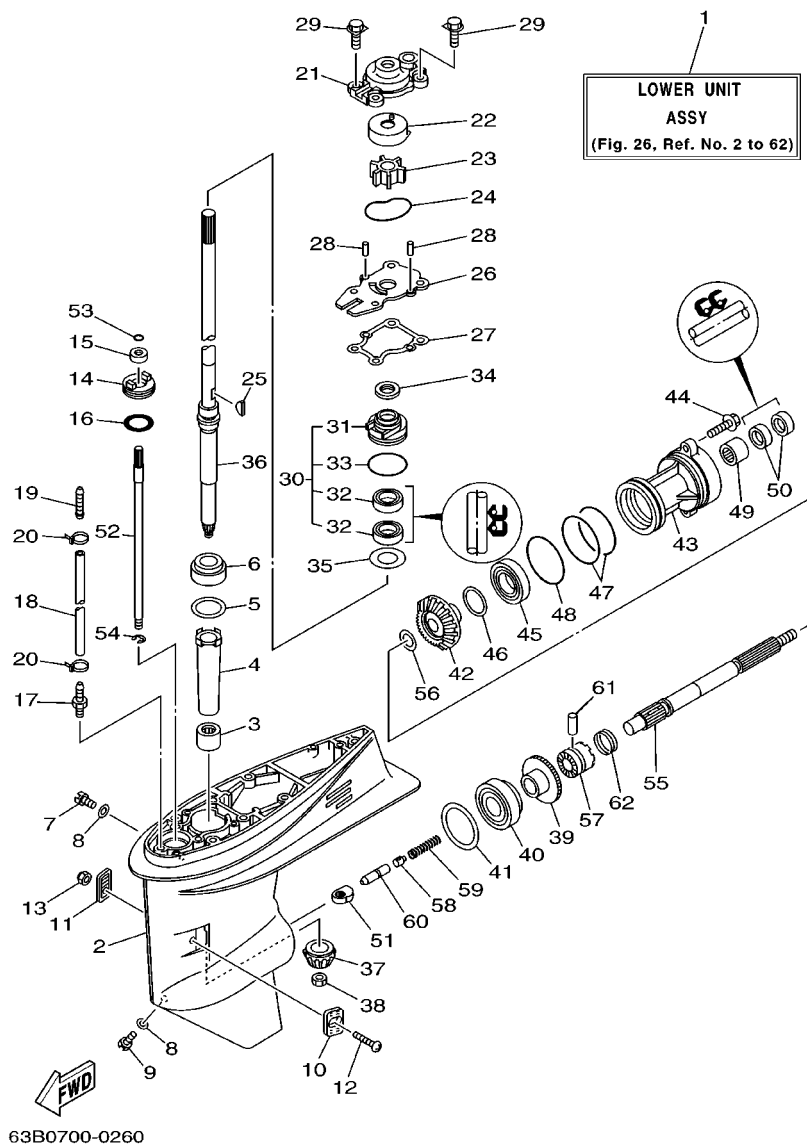


63D0100-0221

REF. NO.	PART NO. NO. PIECES	DESCRIPTION DESCRIPTION	EDO	ETO	EO	MO	MHO	REMARKS REMARQUES
1	63D-45111-01-4D	CASING, UPPER FOURREAU	1	1	1	1	1	S
	63D-45111-11-4D	CASING, UPPER FOURREAU	1	1	1		1	L
2	97095-06012	BOLT BOULON	1	1	1	1	1	
3	92995-06100	WASHER, SPRING RONDELLE, GROWER	1	1	1	1	1	
4	63D-45155-00	CAP CAPUCHON	1	1	1	1	1	
5	97575-08445	BOLT, WITH WASHER VIS HEXAGONAL AVC RONDELLE	2	2	2	2	2	
6	93606-12019	PIN, DOWEL GOUJON	2	2	2	2	2	
7	90119-08M83	BOLT, WITH WASHER BOULON, AVEC RONDELLE	6	6	6	6	6	
8	63D-41137-01-5B	GUIDE, EXHAUST COLLECTEUR D'ECHAPPEMENT	1	1	1	1	1	
9	63D-45114-A0	GASKET, UPPER CASING JOINT, TUBE D'ARBRE	1	1	1	1	1	
10	6H4-41131-01-5B	MANIFOLD, EXT. 1 PIPE D'ECHAPPEMENT		1	1	1	1	40V
	6H5-41131-00-5B	MANIFOLD, EXT. 1 PIPE D'ECHAPPEMENT	1	1			1	40Y,50H
11	63D-14711-00-5B	MUFFLER 1 POT D'ECHAPPEMENT 1	1	1	1	1	1	S
	63D-14711-11-5B	MUFFLER 1 POT D'ECHAPPEMENT 1	1	1	1		1	L
12	63D-45123-00	GASKET, MUFFLER JOINT, POT DE DETENTE	1	1	1	1	1	
13	97075-08030	BOLT BOULON	3	3	3	3	3	
14	92995-08600	WASHER RONDELLE	3	3	3	3	3	
15	97075-08030	BOLT BOULON	4	4	4	4	4	
16	92995-08600	WASHER RONDELLE	4	4	4	4	4	
17	90119-08M79	BOLT, WITH WASHER BOULON, AVEC RONDELLE	2	2	2	2	2	
18	6H3-45127-00	SEAL JOINT	1	1	1	1	1	
19	6H4-45113-A0	GASKET, UPPER CASING JOINT, TUBE D'ARBRE	1	1	1	1	1	
20	93606-12019	PIN, DOWEL GOUJON	2	2	2	2	2	
21	97575-08445	BOLT, WITH WASHER VIS HEXAGONAL AVC RONDELLE	2	2	2	2	2	
22	6H4-41134-A0	GASKET, EXHAUST MANIFOLD JOINT, PIPE D'ECHAPPEMENT	1	1	1	1	1	

FIG. 26 LOWER CASING, DRIVE 1

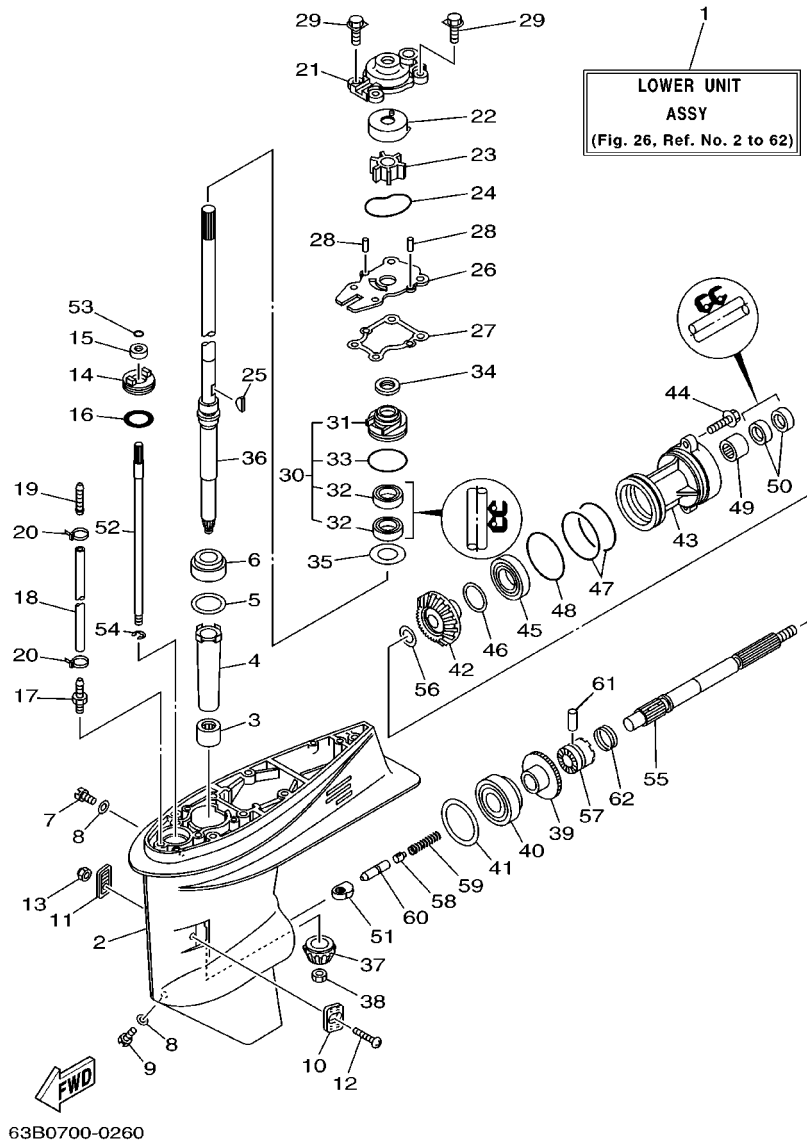
BOITIER D'HELICE, TRANSMISSION 1



REF. NO.	PART NO. NO. PIECES	DESCRIPTION DESCRIPTION	EDO	ETO	EO	MO	MHO	REMARKS REMARQUES
1	63D-45300-02-4D	LOWER UNIT ASSY UNITE INFERIEURE (ENS.)	1	1	1	1	1	S
	63D-45300-12-4D	LOWER UNIT ASSY UNITE INFERIEURE (ENS.)	1	1	1		1	L
2	63D-45301-03-4D	CASING, LOWER BEQUILLE	1	1	1	1	1	
3	93315-32224	BEARING ROULEMENT	1	1	1	1	1	
4	6H4-45536-00	SLEEVE, DRIVE SHAFT MANCHON, ARBRE MOTEUR	1	1	1	1	1	
5	663-45587-01-10	SHIM (T:0.10MM) CALE (T:0.10MM)	1	1	1	1	1	UR
	663-45587-01-12	SHIM (T:0.12MM) CALE (T:0.12MM)	1	1	1	1	1	UR
	663-45587-01-15	SHIM (T:0.15MM) CALE (T:0.15MM)	1	1	1	1	1	UR
	663-45587-01-18	SHIM (T:0.18MM) CALE (T:0.18MM)	1	1	1	1	1	UR
	663-45587-01-30	SHIM (T:0.30MM) CALE (T:0.30MM)	1	1	1	1	1	UR
	663-45587-01-40	SHIM (T:0.40MM) CALE (T:0.40MM)	1	1	1	1	1	UR
	663-45587-01-50	SHIM (T:0.50MM) CALE (T:0.50MM)	1	1	1	1	1	UR
6	93332-00001	BEARING ROULEMENT	1	1	1	1	1	
7	90340-08M04	PLUG, STRAIGHT SCREW PLOT, FILETE DROIT	1	1	1	1	1	
8	90430-08020	GASKET JOINT	2	2	2	2	2	
9	688-45341-00	PLUG, DRAIN BOUCHON DE VIDANGE	1	1	1	1	1	
10	63D-45214-00	COVER, WATER INLET GRILLE, ENTREE D'EAU	1	1	1	1	1	
11	63D-45215-00	COVER, WATER INLET GRILLE, ENTREE D'EAU	1	1	1	1	1	
12	90142-05M06	SCREW, COUNTERSUNK VIS, TETE NOYEE	1	1	1	1	1	
13	95380-05600	NUT ECROU	1	1	1	1	1	
14	63D-45321-00	PLATE PLAQUETTE	1	1	1	1	1	
15	93106-09014	OIL SEAL JOINT SPY	1	1	1	1	1	
16	93210-33MG4	O-RING JOINT TORIQUE	1	1	1	1	1	
17	6E5-45378-00	NIPPLE, HOSE RACCORD, TUYAU	1	1	1	1	1	
18	90445-07ME9	HOSE (L120) DURITE (L120)	1	1	1	1	1	S
	90445-07M31	HOSE (L200) DURITE (L200)	1	1	1		1	L
19	6E5-83558-10	END, NIPPLE RACCORD DE NIPPLE		1				

FIG. 26 LOWER CASING. DRIVE 1

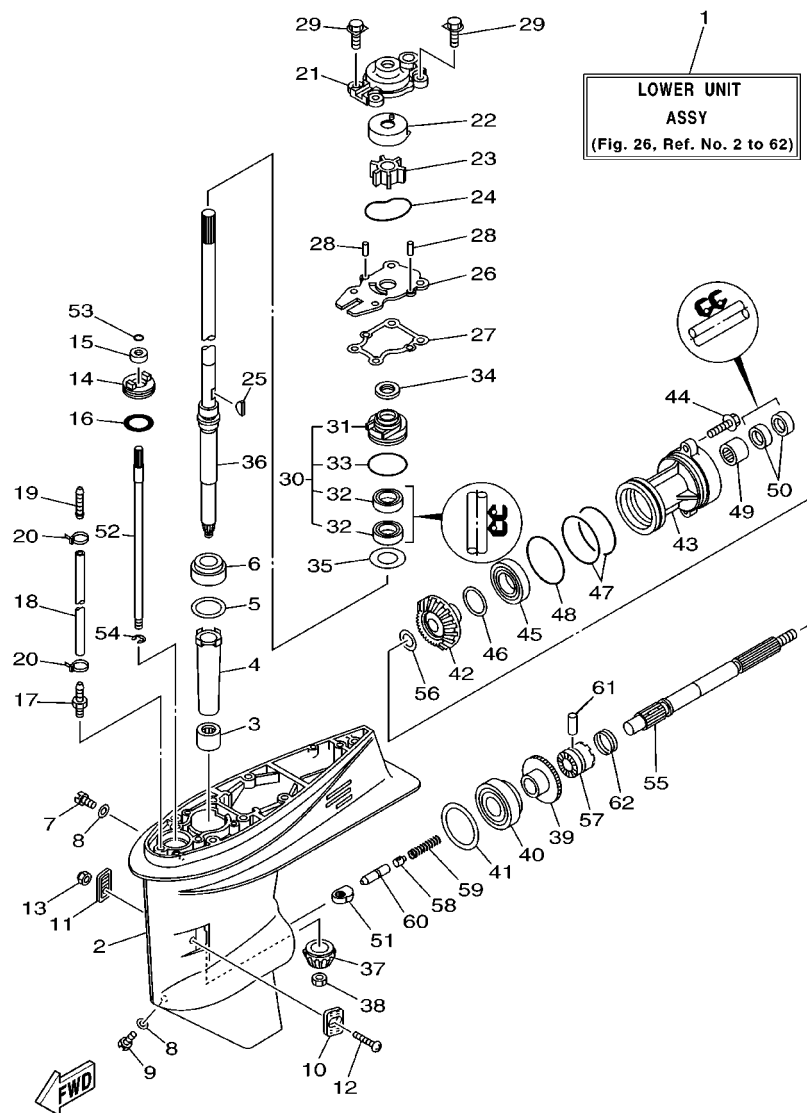
BOITIER D'HELICE, TRANSMISSION 1



REF. NO.	PART NO. NO. PIECES	DESCRIPTION DESCRIPTION	EDO	ETO	EO	MO	MHO	REMARKS REMARQUES
19	6E5-83558-00	END, NIPPLE RACCORD DE NIPPLE	1		1	1	1	
20	90465-11M10	CLAMP BRIDE	2	2	2	2	2	
21	63D-44311-00	HOUSING, WATER PUMP CORPS, POMPE A EAU	1	1	1	1	1	
22	63D-44322-00	INSERT, CARTRIDGE CUVETTE	1	1	1	1	1	
23	6H3-44352-00	IMPELLER TURBINE	1	1	1	1	1	
24	93210-59MG7	O-RING JOINT TORIQUE	1	1	1	1	1	
25	90280-03024	KEY, WOODRUFF CLAVETTE, DEMI-LUNE	1	1	1	1	1	
26	63D-44323-00	OUTER PLATE, CARTRIDGE PLAQUE EXTERIEURE	1	1	1	1	1	
27	63D-44316-00	GASKET, WATER PUMP JOINT, POMPE A EAU	1	1	1	1	1	
28	93604-08062	PIN, DOWEL GOUJON	2	2	2	2	2	
29	90119-08M15	BOLT, WITH WASHER BOULON, AVEC RONDELLE	4	4	4	4	4	
30	63D-W4434-00	WATER PUMP HOUSING ASSY CORPS ENS., POMPE A EAU	1	1	1	1	1	
31	63D-44341-00	HOUSING, WATER PUMP CORPS, POMPE A EAU	1	1	1	1	1	
32	93101-25M57	OIL SEAL JOINT SPY	2	2	2	2	2	
33	93210-48MG8	O-RING JOINT TORIQUE	1	1	1	1	1	
34	63D-45344-00	COVER, OIL SEAL FLASQUE, JOINT D'HUILE	1	1	1	1	1	
35	90201-27M00	WASHER, PLATE RONDELLE, PLATE	1	1	1	1	1	
36	63D-45501-00	DRIVE SHAFT COMP. ARBRE MOTEUR COMP.	1	1	1	1	1	S
	63D-45501-10	DRIVE SHAFT COMP. ARBRE MOTEUR COMP.	1	1	1		1	L
37	6H4-45551-01	PINION PIGNON D'ATTAQUE	1	1	1	1	1	
38	90170-12138	NUT ECROU	1	1	1	1	1	
39	6H4-45560-01	GEAR PIGNON	1	1	1	1	1	
40	93332-00003	BEARING ROULEMENT	1	1	1	1	1	
41	663-45567-01-10	SHIM (T:0.10MM) CALE (T:0.10MM)	1	1	1	1	1	UR
	663-45567-01-12	SHIM (T:0.12MM) CALE (T:0.12MM)	1	1	1	1	1	UR
	663-45567-01-15	SHIM (T:0.15MM) CALE (T:0.15MM)	1	1	1	1	1	UR
	663-45567-01-18	SHIM (T:0.18MM) CALE (T:0.18MM)	1	1	1	1	1	UR

FIG. 26 LOWER CASING, DRIVE 1

BOITIER D'HELICE, TRANSMISSION 1

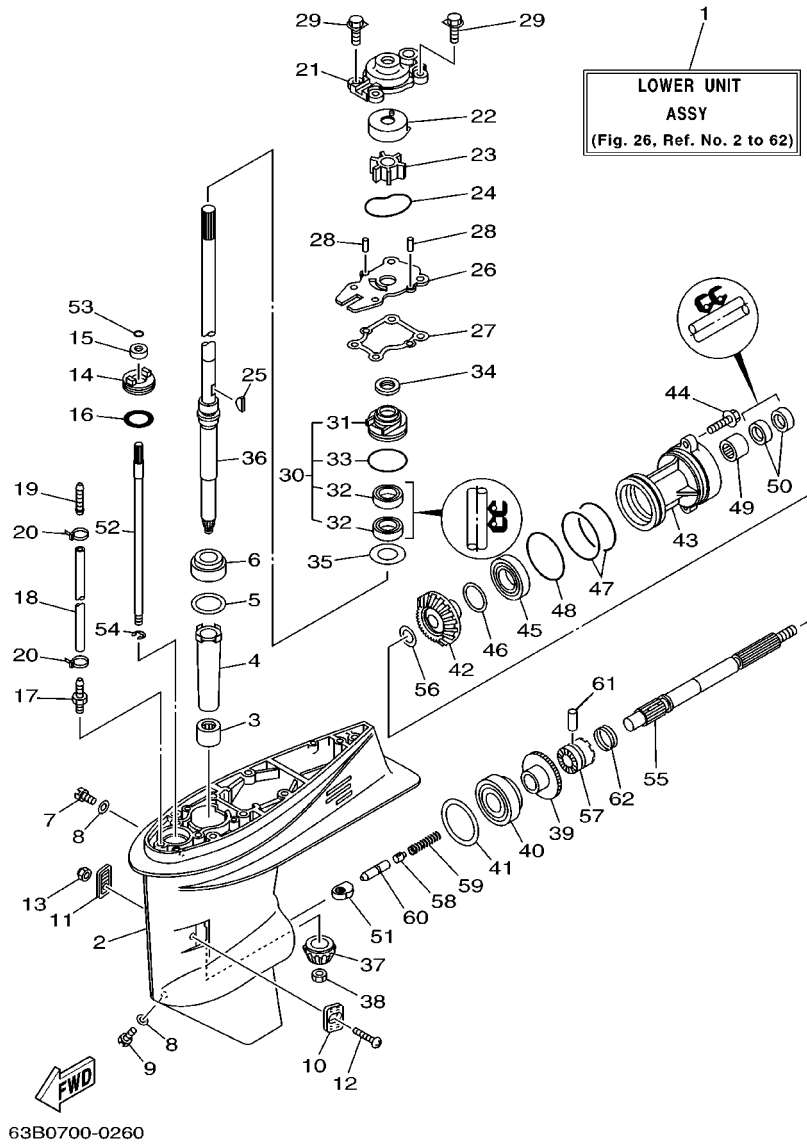


63B0700-0260

REF. NO.	PART NO. NO. PIECES	DESCRIPTION DESCRIPTION	EDO	ETO	EO	MO	MHO	REMARKS REMARQUES
41	663-45567-01-30	SHIM (T:0.30MM) CALE (T:0.30MM)	1	1	1	1	1	UR
	663-45567-01-40	SHIM (T:0.40MM) CALE (T:0.40MM)	1	1	1	1	1	UR
	663-45567-01-50	SHIM (T:0.50MM) CALE (T:0.50MM)	1	1	1	1	1	UR
42	6H4-45571-01	GEAR PIGNON	1	1	1	1	1	
43	63D-45361-02-4D	CAP, LOWER CASING COUVERCLE, BOITIER D'HELICE	1	1	1	1	1	
44	90105-08M61	BOLT, WASHER BASED BOULON, AVEC RONDELLE	2	2	2	2	2	
45	93306-001U1	BEARING ROULEMENT	1	1	1	1	1	
46	63D-45577-00-10	SHIM (T:0.10MM) CALE (T:0.10MM)	1	1	1	1	1	UR
	63D-45577-00-12	SHIM (T:0.12MM) CALE (T:0.12MM)	1	1	1	1	1	UR
	63D-45577-00-15	SHIM (T:0.15MM) CALE (T:0.15MM)	1	1	1	1	1	UR
	63D-45577-00-18	SHIM (T:0.18MM) CALE (T:0.18MM)	1	1	1	1	1	UR
	63D-45577-00-30	SHIM (T:0.30MM) CALE (T:0.30MM)	1	1	1	1	1	UR
	63D-45577-00-40	SHIM (T:0.40MM) CALE (T:0.40MM)	1	1	1	1	1	UR
	63D-45577-00-50	SHIM (T:0.50MM) CALE (T:0.50MM)	1	1	1	1	1	UR
47	93210-74MG5	O-RING JOINT TORIQUE	2	2	2	2	2	
48	93210-69MG6	O-RING JOINT TORIQUE	1	1	1	1	1	
49	93317-22204	BEARING ROULEMENT	1	1	1	1	1	
50	93101-22M00	OIL SEAL JOINT SPY	2	2	2	2	2	
51	663-44151-00	CAM, SHIFT CAME, INVERSION	1	1	1	1	1	
52	63D-44144-00	ROD, SHIFT TIGE D'EMBRAYAGE	1	1	1	1	1	
53	93210-07003	O-RING JOINT TORIQUE	1	1	1	1	1	
54	93430-08006	CIRCLIP CIRCLIP, TYPE S	1	1	1	1	1	
55	63D-45611-00	SHAFT, PROPELLER ARBRE, HELICE	1	1	1	1	1	
56	90201-22429	WASHER, PLATE RONDELLE, PLATE	1	1	1	1	1	
57	63D-45631-01	CLUTCH, DOG CRABOT	1	1	1	1	1	
58	663-45634-00	SLIDE, SHIFT CONTRE-POUSSOIR	1	1	1	1	1	
59	90501-16M01	SPRING, COMPRESSION RESSORT, COMPRESSION	1	1	1	1	1	

FIG. 26 LOWER CASING. DRIVE 1

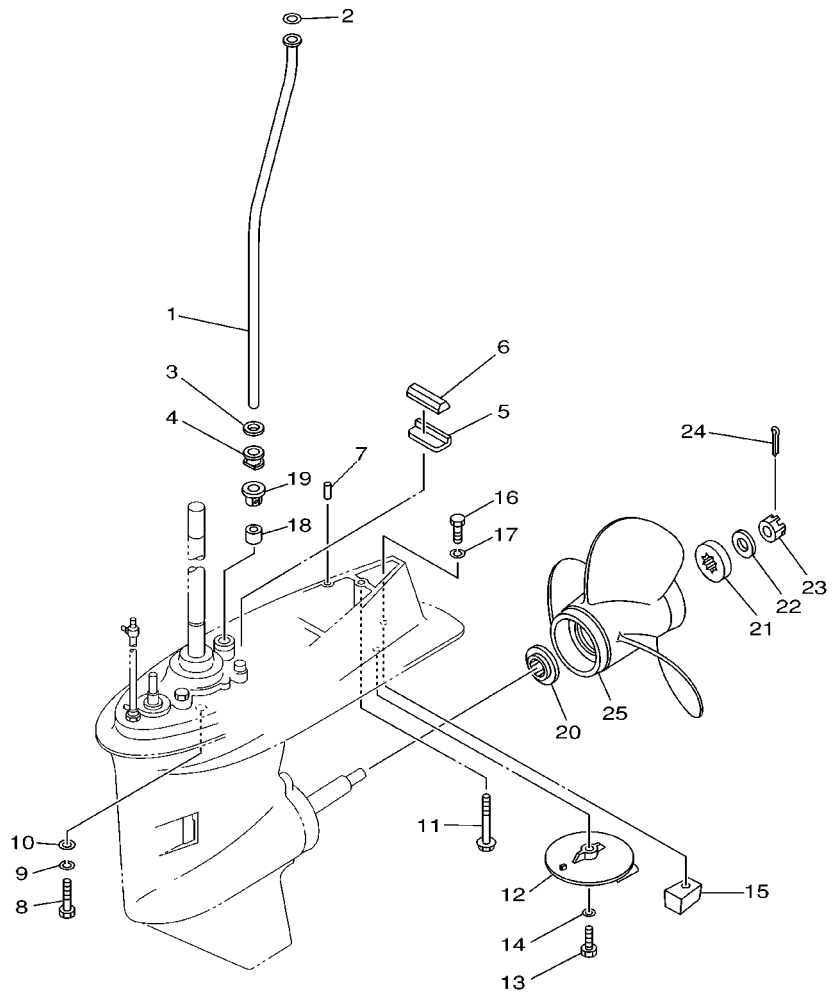
BOITIER D'HELICE, TRANSMISSION 1



REF. NO.	PART NO. NO. PIECES	DESCRIPTION DESCRIPTION	EDO	ETO	EO	MO	MHO	REMARKS REMARQUES
60	63D-45635-00	PLUNGER, SHIFT POUSOIR D'EMBRAYAGE	1	1	1	1	1	
61	90250-06023	PIN, STRAIGHT GOUPILLE, DROITE	1	1	1	1	1	
62	663-45633-00	RING, CROSS PIN JONC, GOUPILLE CRABOT	1	1	1	1	1	

FIG. 27 LOWER CASING. DRIVE 2

BOITIER D'HELICE, TRANSMISSION 2

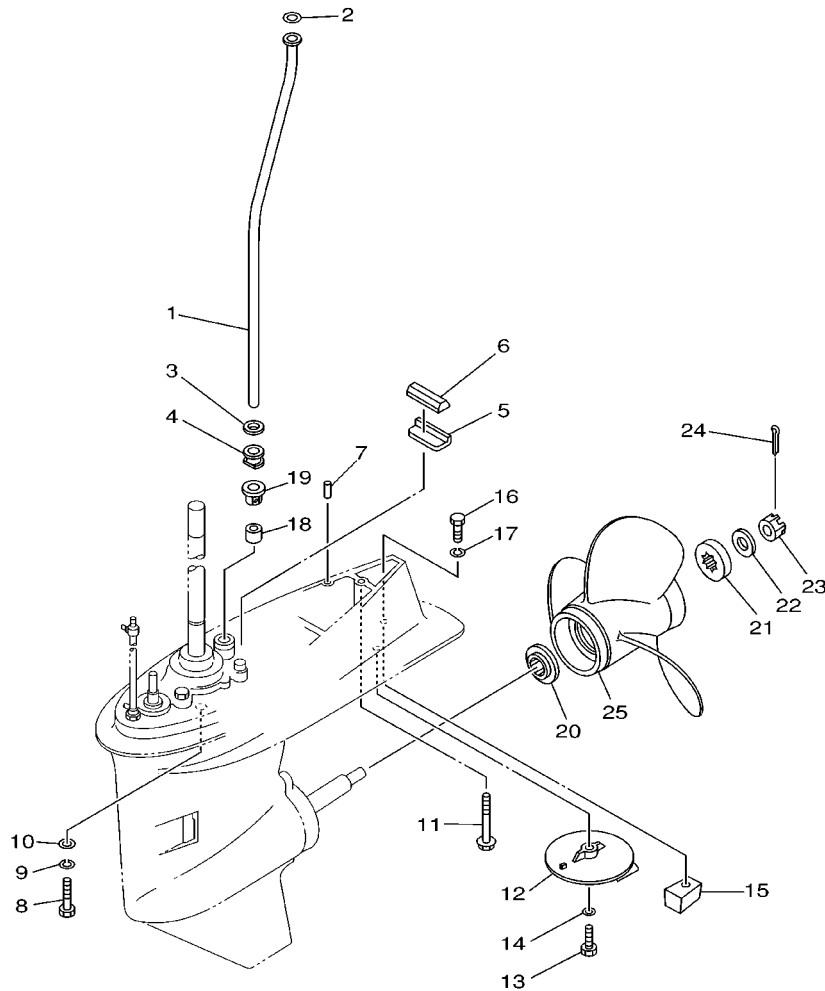


FWD
63D0100-0241

REF. NO.	PART NO. NO. PIECES	DESCRIPTION DESCRIPTION	EDO	ETO	EO	MO	MHO	REMARKS REMARQUES
1	63D-44361-00	TUBE, WATER TUBE D'EAU	1	1	1	1	1	S
	63D-44361-10	TUBE, WATER TUBE D'EAU	1	1	1		1	L
2	90202-12060	WASHER, PLATE RONDELLE, PLATE	1	1	1	1	1	
3	90430-12072	GASKET JOINT	1	1	1	1	1	
4	63D-44367-00	DAMPER, WATER SEAL JOINT TUBE D'EAU	1	1	1	1	1	
5	663-45376-00-94	GUIDE, SEAL DAMPER BUTEE, JOINT CAOUTCHOUC	1	1	1	1	1	
6	63D-45375-00	DAMPER, SEAL BOURRELET, CAOUTCHOUC	1	1	1	1	1	
7	93606-12019	PIN, DOWEL GOUJON	2	2	2	2	2	
8	97075-10040	BOLT BOULON	4	4	4	4	4	
9	92995-10100	WASHER RONDELLE	4	4	4	4	4	
10	92995-10600	WASHER RONDELLE	4	4	4	4	4	
11	90119-08M84	BOLT, WITH WASHER BOULON, AVEC RONDELLE	1	1	1	1	1	
12	664-45371-01	TAB-TRIM ANODE DERIVE	1	1	1	1	1	
13	97095-08025	BOLT BOULON	1	1	1	1	1	
14	92995-08100	WASHER RONDELLE	1	1	1	1	1	
15	67C-45251-00	ANODE ANODE	1	1	1	1	1	
16	97095-08035	BOLT BOULON	1	1	1	1	1	
17	92995-08100	WASHER RONDELLE	1	1	1	1	1	
18	663-44366-00	DAMPER, WATER SEAL JOINT, TUBE D'EAU	1	1	1	1	1	
19	63D-44312-00	COVER, WATER PUMP HOUSING COUVERCLE	1	1	1	1	1	
20	663-45987-02	SPACER ENTRETOISE	1	1	1	1	1	
21	670-45997-02	SPACER ENTRETOISE	1	1	1	1	1	
22	92990-16200	WASHER, PLAIN RONDELLE, PLATE	1	1	1	1	1	
23	90171-16011	NUT, CASTLE ECROU, CRENELE	1	1	1	1	1	
24	91490-30025	PIN, COTTER GOUPILLE, FENDUE	1	1	1	1	1	
25	663-45941-01-EL	PROPELLER (3X10-3/4"X17"-G) HELICE (3X10-3/4"X17"-G)	1	1	1	1	1	UR
	663-45943-02-EL	PROPELLER (3X11"X15"-G) HELICE (3X11"X15"-G)	1	1	1	1	1	UR

FIG. 27 LOWER CASING. DRIVE 2

BOITIER D'HELICE, TRANSMISSION 2

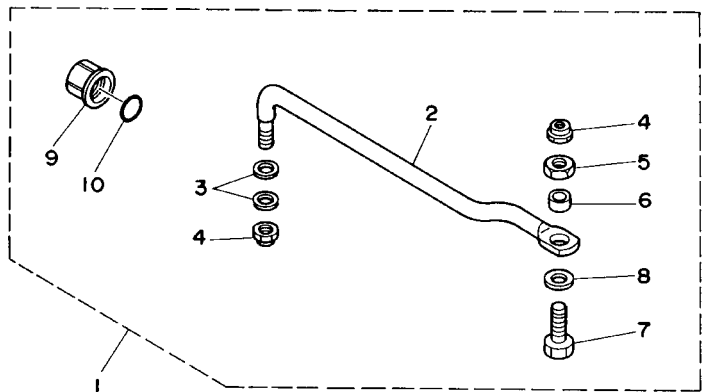


63D0100-0241

REF. NO.	PART NO. NO. PIECES	DESCRIPTION DESCRIPTION	EDO	ETO	EO	MO	MHO	REMARKS REMARQUES
25	663-45945-02-EL	PROPELLER (3X11-1/8"X13"-G) HELICE (3X11-1/8"X13"-G)	1	1	1	1	1	UR
	663-45947-02-EL	PROPELLER (3X11-5/8"X11"-G) HELICE (3X11-5/8"X11"-G)	1	1	1	1	1	UR
	663-45949-01-EL	PROPELLER (3X10-3/4"X16"-G) HELICE (3X10-3/4"X16"-G)	1	1	1	1	1	UR
	663-45952-02-EL	PROPELLER (3X11-3/8"X12"-G) HELICE (3X11-3/8"X12"-G)	1	1	1	1	1	UR
	663-45954-01-EL	PROPELLER (3X11-3/4"X10"-G) HELICE (3X11-3/4"X10"-G)	1	1	1	1	1	UR
	663-45956-01-EL	PROPELLER (3X12-1/4"X9"-G) HELICE (3X12-1/4"X9"-G)	1	1	1	1	1	UR
	663-45958-01-EL	PROPELLER (3X11-1/4"X14"-G) HELICE (3X11-1/4"X14"-G)	1	1	1	1	1	UR
	6H5-45943-00-EL	PROPELLER (3X10"X15"-G) HELICE (3X10"X15"-G)	1	1	1	1	1	UR WITH LIP CUP
	6H5-45945-00-EL	PROPELLER (3X10-3/8"X13"-G) HELICE (3X10-3/8"X13"-G)	1	1	1	1	1	UR WITH LIP CUP
	6H5-45952-00-EL	PROPELLER (3X10-5/8"X12"-G) HELICE (3X10-5/8"X12"-G)	1	1	1	1	1	UR WITH LIP CUP
	6H5-45958-00-EL	PROPELLER (3X10-1/4"X14"-G) HELICE (3X10-1/4"X14"-G)	1	1	1	1	1	UR WITH LIP CUP
	663-45930-00-98	STAINLESS STEEL PROPELLER ACIER INOXYDABLE HELICE PROPELLER (3X10-1/4"X14"-G) HELICE (3X10-1/4"X14"-G)	1	1	1	1	1	UR
	663-45974-02-98	PROPELLER (3X10-5/8"X13"-G) HELICE (3X10-5/8"X13"-G)	1	1	1	1	1	UR
	663-45976-00-98	PROPELLER (3X10-1/4"X15"-G) HELICE (3X10-1/4"X15"-G)	1	1	1	1	1	UR
	663-45978-00-98	PROPELLER (3X10-1/4"X16"-G) HELICE (3X10-1/4"X16"-G)	1	1	1	1	1	UR
	663-45970-60-98	PROPELLER (3X11-3/4"X12"-G) HELICE (3X11-3/4"X12"-G)	1	1	1	1	1	UR
	663-45972-60-98	PROPELLER (3X12"X11"-G) HELICE (3X12"X11"-G)	1	1	1	1	1	UR
	663-45974-60-98	PROPELLER (3X11-1/2"X13"-G) HELICE (3X11-1/2"X13"-G)	1	1	1	1	1	UR
	697-45970-00-98	PROPELLER (3X11-1/4"X14"-G) HELICE (3X11-1/4"X14"-G)	1	1	1	1	1	UR

FIG. 29 STEERING GUIDE

FIXATION DE DIRECTION

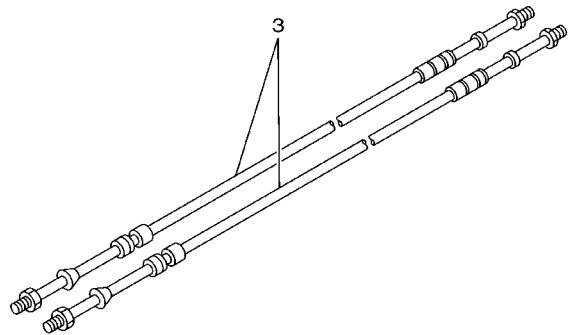
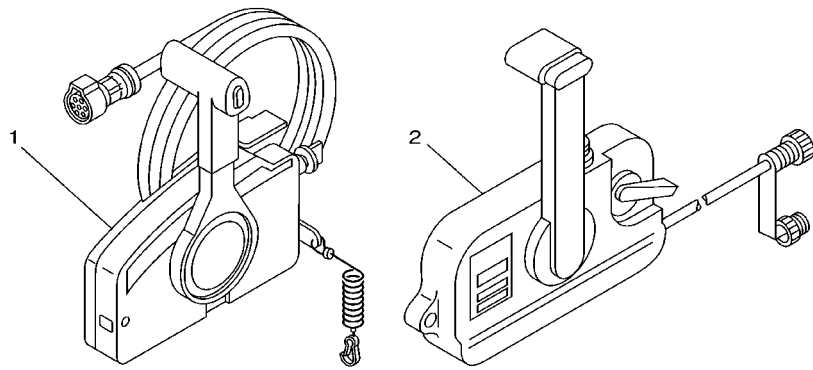


REF. NO.	PART NO. NO. PIECES	DESCRIPTION DESCRIPTION	EDO	ETO	EO	MO	MHO	REMARKS REMARQUES
1	63D-61350-00	STEERING GUIDE ATTACHMENT KIT FIXATIONS DE DIRECTION	1	1	1	1		AP
2	63D-61351-00	.ROD, STEERING LINK .RENOI DE DIRECTION	1	1	1	1		
3	90201-10M20	.WASHER, PLATE .RONDELLE, PLATE	2	2	2	2		
4	90185-09M01	.NUT, SELF-LOCKING .ECROU, AUTO-BLOCANT	2	2	2	2		
5	90170-09M03	.NUT .ECROU	1	1	1	1		
6	90387-10M42	.COLLAR .COLLERETTE	1	1	1	1		
7	90101-09M01	.BOLT .BOULON	1	1	1	1		
8	90201-10M63	.WASHER, PLATE .RONDELLE, PLATE	1	1	1	1		
9	6E5-43145-01	.CAP, CLAMP BRACKET .CAPUCHON, PRESSE	1	1	1	1		
10	93210-16275	.O-RING .JOINT TORIQUE	1	1	1	1		

62Y0010-5200

FIG. 30 REMOTE CONTROL BOX

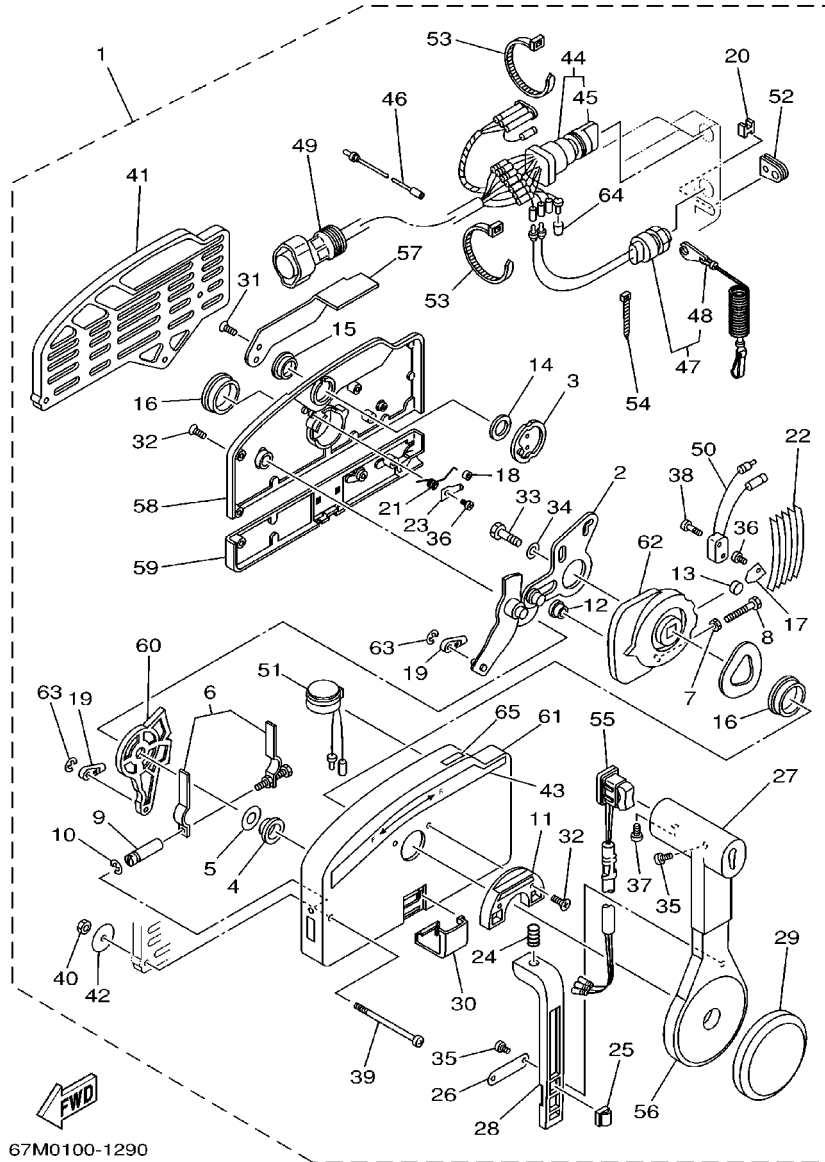
BOITIER DE COMMANDE A DISTANCE



67D0ACC-9040

REF. NO.	PART NO. NO. PIECES	DESCRIPTION DESCRIPTION	EDO	ETO	EO	MO	MHO	REMARKS REMARQUES
1	703-48205-A3	REMOTE CONTROL ASSY BOITIER DE COMMANDE A DISTANCE		1				AP WITH PT/T SW.
	703-48201-A1	REMOTE CONTROL ASSY (10P) BOITIER DE COMMANDE A DISTANCE	1		1			AP
2	701-48130-E0	REMOTE CONTROL ASSY (RIGHT) BOITIER DE COMMANDE A DISTANCE					1	AP WITH NEUTRAL LOCK
3	701-48320-00	CABLE, REMOTE CONTROL L=12F CABLE, COMMANDE A DISTANCE:12F	2	2	2	2		UR
	701-48320-20	CABLE, REMOTE CONTROL L=13F CABLE, COMMANDE A DISTANCE:13F	2	2	2	2		UR
	701-48320-30	CABLE, REMOTE CONTROL L=14F CABLE, COMMANDE A DISTANCE:14F	2	2	2	2		UR
	701-48320-50	CABLE, REMOTE CONTROL L=15F CABLE, COMMANDE A DISTANCE:15F	2	2	2	2		UR
	701-48320-60	CABLE, REMOTE CONTROL L=16F CABLE, COMMANDE A DISTANCE:16F	2	2	2	2		UR
	701-48320-80	CABLE, REMOTE CONTROL L=17F CABLE, COMMANDE A DISTANCE:17F	2	2	2	2		UR

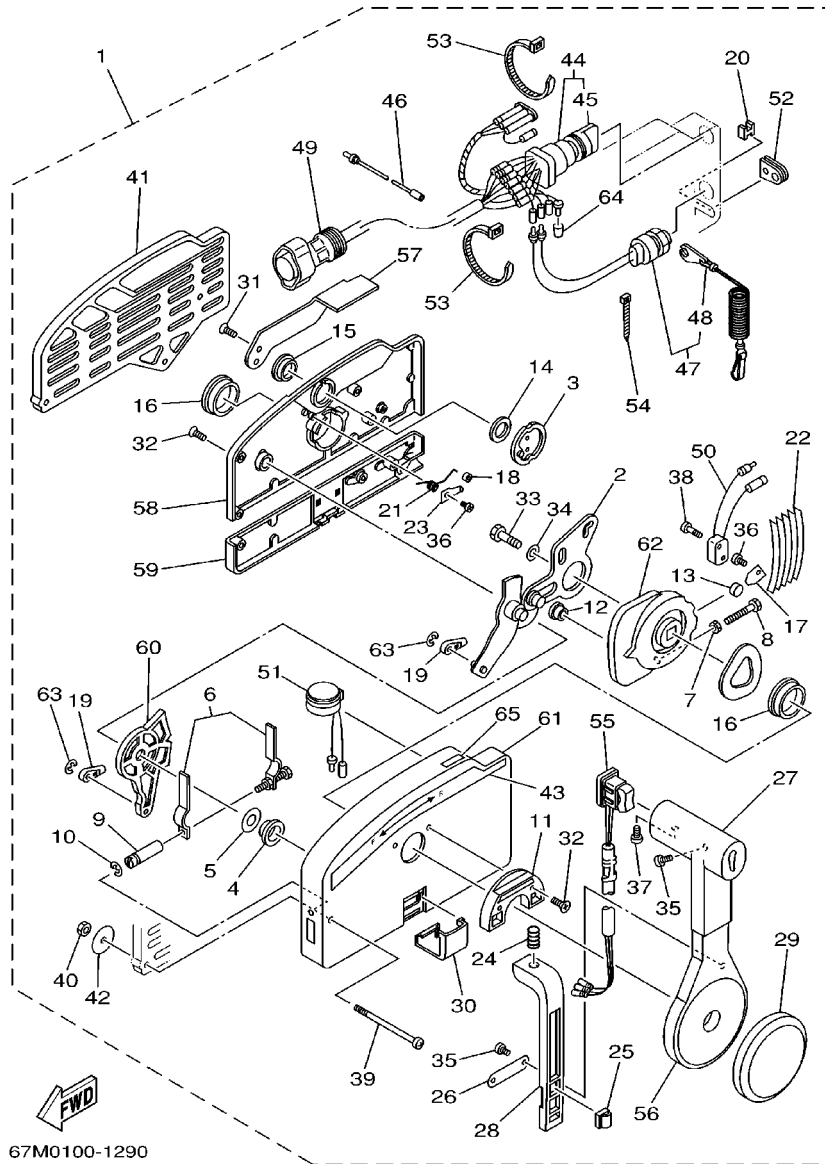
FIG. 31 REMOTE CONTROL ASSY 1 BOITIER DE COMMANDE A DISTANCE 1



67M0100-1290

REF. NO.	PART NO. NO. PIECES	DESCRIPTION DESCRIPTION	EDO	ETO	EO	MO	MHO	REMARKS REMARQUES
1	703-48205-A3	REMOTE CONTROL ASSY BOITIER DE COMMANDE A DISTANCE		1				AP WITH PT/T SW.
	703-48201-A1	REMOTE CONTROL ASSY (10P) BOITIER DE COMMANDE A DISTANCE	1		1			AP
2	703-48261-01	.ARM, THROTTLE .BRAS, ACCELERATION	1	1	1			
3	703-48153-00	.SHAFT, FREE ACCEL. .AXE	1	1	1			
4	703-48235-00	.BUSHING .COUSSINET	1	1	1			
5	703-48268-00	.SPACER .ENTRETOISE	1	1	1			
6	703-48264-00	.THROTTLE, FRICTION .ACCELERATION	1	1	1			
7	95380-05600	.NUT .ECROU	1	1	1			
8	97380-05025	.BOLT .BOULON	1	1	1			
9	703-48265-00	.SHAFT, FRICTION .AXE, COPILOTE	1	1	1			
10	93430-06024	.CIRCLIP .CIRCLIP, TYPE S	3	3	3			
11	703-48245-00	.PLATE, LOCK .PLAQUE, VERROU	1	1	1			
12	703-48252-00	.ROLLER, CAM .POULIE	1	1	1			
13	701-48248-00	.ROLLER, FREE ACCEL. .POULIE	1	1	1			
14	703-48198-00	.WASHER, WAVE .RONDELLE, ELASTIQUE ONDULEE	1	1	1			
15	703-48243-00	.BUSHING .COUSSINET	1	1	1			
16	703-48236-00	.BUSHING 1 .POULIE	2	2	2			
17	703-48189-00	.RETAINER .FLASQUE	1	1	1			
18	703-48234-00	.ROLLER, DETENT .POULIE	1	1	1			
19	703-48345-01	.CABLE END, REMOTE CONTROL 2 .CHAPE CABLE	2	2	2			
20	703-48358-00	.ANCHOR, CABLE .COLLIER	1	1	1			
21	703-48244-00	.SPRING, FREE ACCEL. .RESSORT	1	1	1			
22	703-48238-00	.SPRING, DETENT .RESSORT	5	5	5			
23	703-48246-00	.SPACER .ENTRETOISE	1	1	1			
24	703-48227-00	.SPRING, NEUTRAL LOCK .RESSORT	1	1	1			
25	703-82594-00	.CLAMP .BRIDE	1					WITH PT/T SW.
26	703-48226-00	.PLATE, STOPPER .PLAQUETTE	1	1	1			

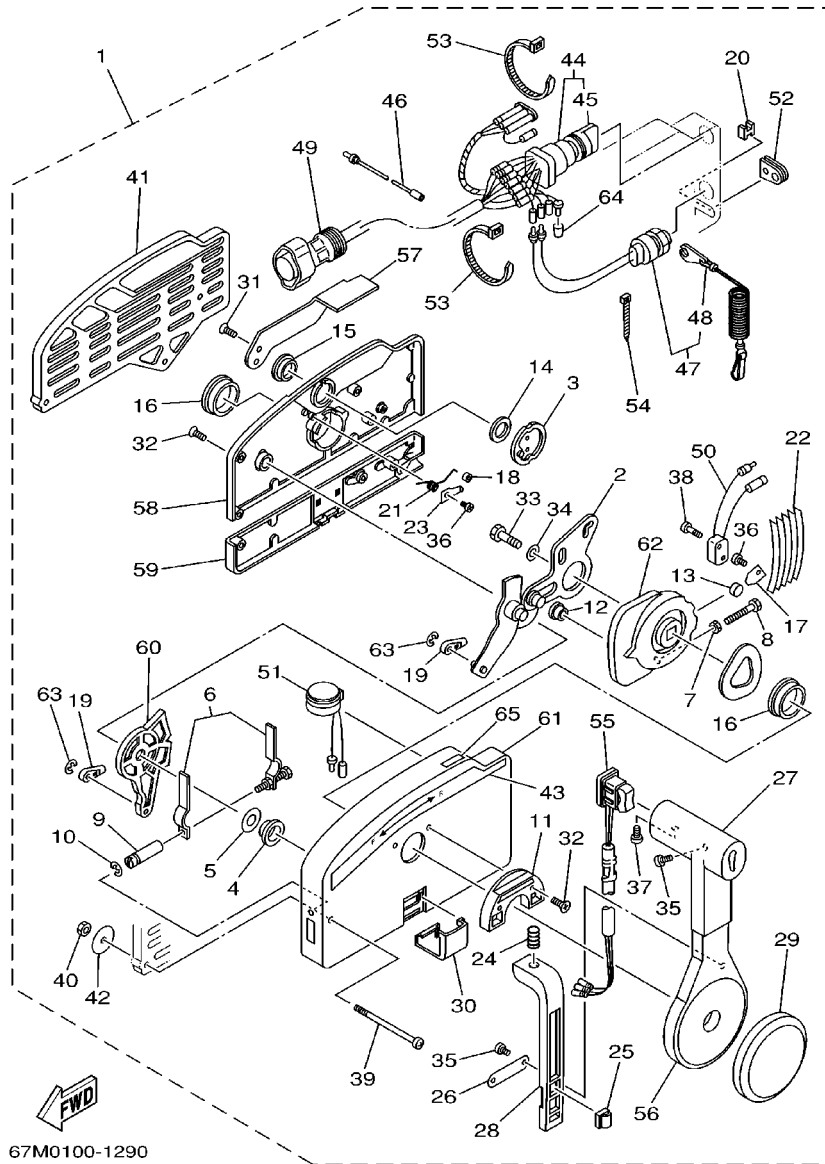
FIG. 31 REMOTE CONTROL ASSY 1 BOITIER DE COMMANDE A DISTANCE 1



67M0100-1290

REF. NO.	PART NO. NO. PIECES	DESCRIPTION DESCRIPTION	EDO	ETO	EO	MO	MHO	REMARKS REMARQUES
27	703-48222-00	.GRIP, CONTROL LEVER .POIGNEE, COMMANDE LEVIER	1	1	1			SINGLE
28	703-48223-00	.LOCK, NEUTRAL .VERROU, NEUTRAL	1	1	1			
29	703-48225-00	.COVER .COUVERCLE	1	1	1			
30	703-48219-00	.COVER, LEAD .COUVERCLE	1	1	1			
31	703-48281-00	.SCREW .VIS	2	2	2			
32	703-48282-00	.SCREW .VIS	7	7	7			
33	97095-08030	.BOLT .BOULON	1	1	1			
34	92990-08600	.WASHER, PLATE .RONDELLE, PLATE	1	1	1			
35	98580-04010	.SCREW, PAN HEAD .VIS, TETE TRONCONIQUE	3	3	3			
36	98580-04006	.SCREW, PAN HEAD .VIS, TETE TRONCONIQUE	2	2	2			
37	98580-05010	.SCREW, PAN HEAD .VIS, TETE TRONCONIQUE	1	1	1			
38	98580-03015	.SCREW, PAN HEAD .VIS, TETE TRONCONIQUE	2	2	2			
39	703-48291-10	.SCREW (M6) .VIS (M6)	3	3	3			
40	95380-06600	.NUT, HEXAGON .ECROU	3	3	3			
41	703-48293-10	.SPACER, REMOTE CONTROL .ENTRETOISE	1	1	1			SINGLE
42	701-48287-00	.WASHER .RONDELLE	3	3	3			
43	703-48215-00	.GRAPHIC .ADHESIF	1	1	1			
44	703-82510-11	.MAIN SWITCH ASSY (10P) .CONTACTEUR A CLEF COMPLET (10P)	1	1	1			FOR PRIME START MODEL
45	676-82577-00	.CAP, KEY .CABOCHON	1	1	1			
46	703-82531-00	.WIRE, LEAD .FIL	1	1	1			
47	688-82575-01	.ENGINE STOP SWITCH ASSY .COUPE CIRCUIT CPLT	1	1	1			
48	682-82556-00	.STOPPER .PLAQUETTE	1	1	1			
49	688-8258A-20	.EXTENSION, WIRE HARNESS .EXTENSION, FAISCEAU	1	1	1			L:5M (10P)
50	703-82540-00	.NEUTRAL SWITCH ASSY .CONTACTEUR DE POINT-MORT	1	1	1			
51	703-83383-A0	.BUZZER .RONFLEUR	1	1	1			
52	703-48284-00	.GRÖMMET .PASSE-FIL	1	1	1			
53	703-82591-00	.BAND .COLLIER	2	2	2			

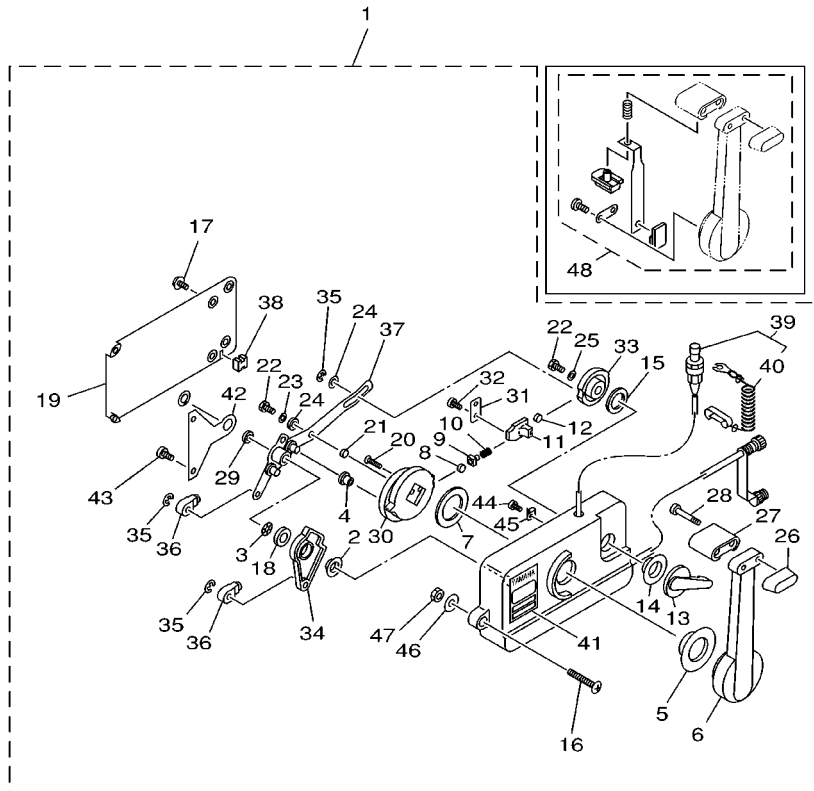
FIG. 31 REMOTE CONTROL ASSY 1 BOITIER DE COMMANDE A DISTANCE 1



67M0100-1290

REF. NO.	PART NO. NO. PIECES	DESCRIPTION DESCRIPTION	EDO	ETO	EO	MO	MHO	REMARKS REMARQUES
54	703-82592-00	.BAND .COLLIER	1	1	1			
55	703-82563-02	.TRIM & TILT SWITCH ASSY .INCLINER ET PAYER COMMUTEUR			1			
	703-48224-00	.COVER, CONTROL LEVER .COUVERCLE	1		1			WITHOUT PT/T SW.
56	703-48221-00	.LEVER, CONTROL .LEVIER, COMMANDE	1	1	1			
57	703-48152-00	.KNOB, FREE ACCEL. .BOUTON	1	1	1			
58	703-48212-00	.BACK PLATE 1 .PLAQUETTE 1	1	1	1			
59	703-48213-00	.BACK PLATE 2 .PLAQUETTE 2	1	1	1			
60	703-48271-00	.ARM, SHIFT .BRAS	1	1	1			
61	703-48211-01	.HOUSING,1 .CORPS	1	1	1			
62	703-48232-00	.GEAR .PIGNON	1	1	1			
63	93430-06024	.CIRCLIP .CIRCLIP, TYPE S	2	2	2			
64	703-82542-00	.CAP .COUVERCLE	1	1	1			
65	703-48218-00	.GRAPHIC .ADHESIF	1	1	1			

FIG. 32 REMOTE CONTROL ASSY 2 BOITIER DE COMMANDE A DISTANCE 2

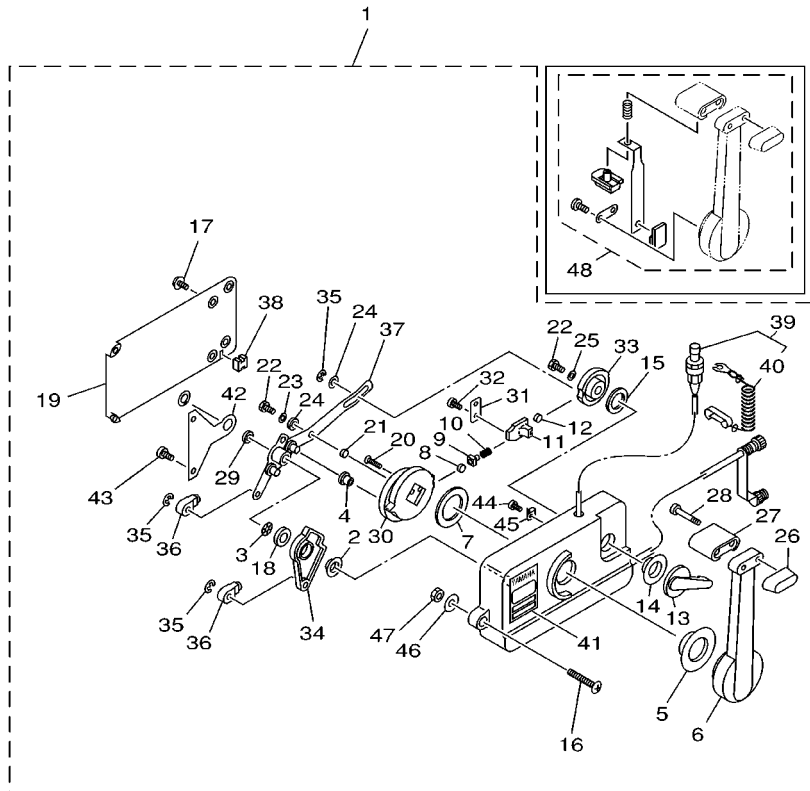


REF. NO.	PART NO. NO. PIECES	DESCRIPTION DESCRIPTION	EDO	ETO	EO	MO	MHO	REMARKS REMARQUES
1	701-48130-E0	REMOTE CONTROL ASSY (RIGHT) BOITIER DE COMMANDE A DISTANCE				1		AP WITH NEUTRAL LOCK
2	701-48235-00	.BUSHING .COUSSINET				1		
3	701-48197-10	.WASHER, WAVE .RONDELLE, ELASTIQUE ONDULEE				1		
4	701-48252-00	.ROLLER, CAM .POULIE				1		
5	701-48234-00	.BUSHING 1 .POULIE				1		
6	701-48221-00	.LEVER, CONTROL .LEVIER, COMMANDE				1		
7	701-48196-11	.WASHER, WAVE .RONDELLE, ELASTIQUE ONDULEE				1		
8	701-48236-00	.ROLLER, DETENT .POULIE				1		
9	702-48237-00	.ADAPTOR .ADAPTEUR				1		
10	702-48238-00	.SPRING, DETENT .RESSORT				1		
11	701-48249-00	.ADAPTOR, SPRING .ADAPTEUR				1		
12	701-48248-00	.ROLLER, FREE ACCEL. .POULIE				1		
13	701-48152-11	.KNOB, FREE ACCEL. .BOUTON				1		RIGHT
14	701-48243-00	.BUSHING .COUSSINET				1		
15	701-48198-10	.WASHER, WAVE .RONDELLE, ELASTIQUE ONDULEE				1		
16	701-48281-10	.SCREW .VIS				3		
17	98580-05010	.SCREW, PAN HEAD .VIS, TETE TRONCONIQUE				4		
18	701-48268-00	.SPACER .ENTRETOISE				1		
19	701-48213-00	.BACK PLATE 2 .PLAQUETTE 2				1		
20	98780-06025	.SCREW, FLAT HEAD .VIS, TETE PLATE				2		
21	701-48255-00	.COLLAR .ENTRETOISE				1		
22	97080-06018	.BOLT .BOULON				2		
23	702-48288-00	.WASHER, PLAIN .RONDELLE, PLATE				1		
24	701-48246-00	.SPACER .ENTRETOISE				2		
25	92990-06300	.WASHER, INTERNAL TOOTH .RONDELLE, DENTURE INTERNE				1		
26	701-48229-00	.GRIP, CONTROL LEVER .POIGNEE, COMMANDE LEVIER				1		
27	701-48222-00	.GRIP, CONTROL LEVER .POIGNEE, COMMANDE LEVIER				1		



63C0664-9300

FIG. 32 REMOTE CONTROL ASSY 2 BOITIER DE COMMANDE A DISTANCE 2



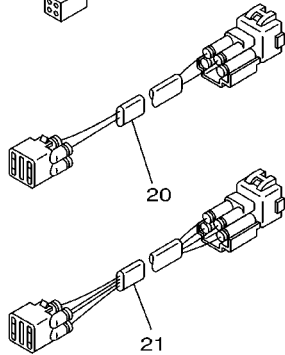
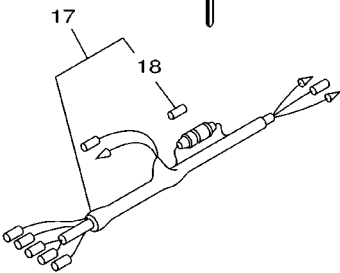
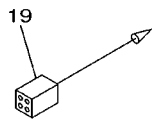
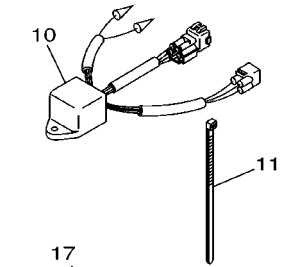
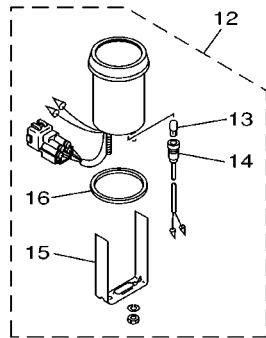
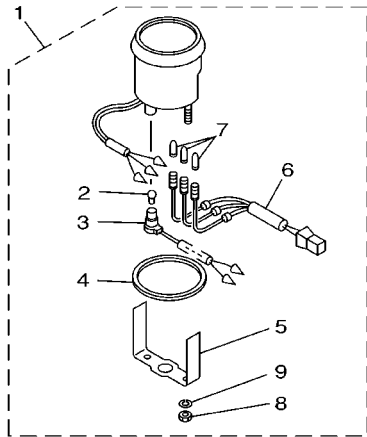
REF. NO.	PART NO. NO. PIECES	DESCRIPTION DESCRIPTION	EDO	ETO	EO	MO	MHO	REMARKS REMARQUES
28	98580-05555	.SCREW, PAN HEAD .VIS, TETE TRONCONIQUE				2		
29	701-48266-00	.SPACER .ENTRETOISE				1		
30	701-48232-00	.GEAR .PIGNON				1		
31	701-48189-11	.RETAINER .FLASQUE				1		
32	98580-05010	.SCREW, PAN HEAD .VIS, TETE TRONCONIQUE				2		
33	701-48153-12	.SHAFT, FREE ACCEL. .AXE				1		
34	701-48271-00	.ARM, SHIFT .BRAS				1		RIGHT
35	93430-06024	.CIRCLIP .CIRCLIP, TYPE S				3		
36	703-48345-01	.CABLE END,REMOTE CONTROL 2 .CHAPE CABLE				2		
37	701-48261-20	.ARM, THROTTLE .BRAS, ACCELERATION				1		
38	701-48358-00	.ANCHOR, CABLE .COLLIER				1		
39	701-82575-53	.ENGINE STOP SWITCH ASSY .COUPE CIRCUIT CPLT				1		
40	682-82556-00	.STOPPER .PLAQUETTE				1		
41	701-48126-00	.GRAPHIC .ADHESIF				1		
42	701-48133-00	.PLATE, LINK .PLAQUE, BIELLETTE				1		
43	98580-05020	.SCREW, PAN HEAD .VIS, TETE TRONCONIQUE				2		
44	701-48283-00	.SCREW .VIS				1		
45	701-82594-00	.CLAMP .BRIDE				1		
46	701-48287-00	.WASHER .RONDELLE				3		
47	95380-06600	.NUT, HEXAGON .ECROU				3		
48	701-48280-00	.NEUTRAL LOCK KIT .KIT DE VERROU NEUTRAL				1		



63C0664-9300

FIG. 33 METER 1 (40V)

COMPTEUR 1 (40V)

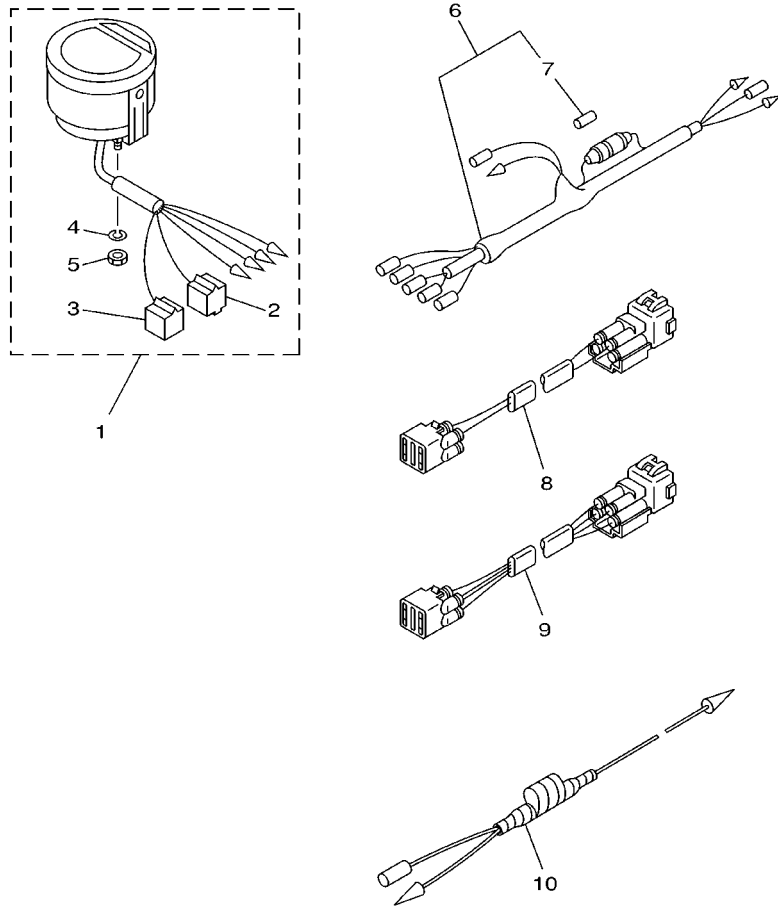


REF. NO.	PART NO. NO. PIECES	DESCRIPTION DESCRIPTION	EDO	ETO	EO	MO	MHO	REMARKS REMARQUES
1	6Y5-83540-05	TACHOMETER ASSY COMPTE-TOURS CPLT		1				AP WITH OIL LAMP
2	6Y5-83517-00	.BULB (12V-1.7W, T10)		1				
3	6Y5-83536-10	.AMPOULE (12V-1.7W, T10)		1				
4	6Y5-83523-00	.SOCKET, METER .DOUILLE, COMPTEUR		1				
5	6Y5-83514-00	.DAMPER AMORTISSEUR		1				
6	6Y5-83509-03	.PLATE, FITTING .PLAQUE, FIXATION		1				
7	6Y5-83518-00	.SOCKET CORD ASSY .CORDON DE FIL CPLT		1				
8	95303-05600	.BULB (12V-1.7W, T6.5) .AMPOULE (12V-1.7W, T6.5)		3				
9	92903-05100	.NUT .ECROU		2				
10	6Y5-81950-02	.WASHER, SPRING .RONDELLE, GROWER		2				
11	90465-13M18	RELAY ASSY RELAIS COMPLET		1				AP
12	6Y5-83670-12	CLAMP BRIDE		1				AP
13	6Y5-83518-00	TRIM METER ASSY. INCLINER-METRE		1				AP
14	6Y5-83536-00	.BULB (12V-1.7W, T6.5) .AMPOULE (12V-1.7W, T6.5)		1				
15	6Y5-83544-00	.SOCKET, METER .DOUILLE, COMPTEUR		1				
16	688-83664-00	.PLATE, FITTING .PLAQUE, FIXATION		1				
17	6Y5-83553-00	.DAMP AMORTISSEUR		1				AP
18	1E6-82151-00	WIRE, LEAD FIL		1				
19	6Y5-82117-00	.FUSE (10A) .FUSIBLE (10A)		1				AP
20	6R3-82521-70	WIRE, LEAD (BLACK) FIL (NOIR)		1				AP 7M
21	6R3-82553-70	WIRE, LEAD FIL		1				AP 4P,7M
		EXTENSION, WIRE LEAD EXTENSION, FAISCEAU		1				

6E50300-0270

FIG. 34 METER 2 (40Y)

COMPTEUR 2 (40Y)

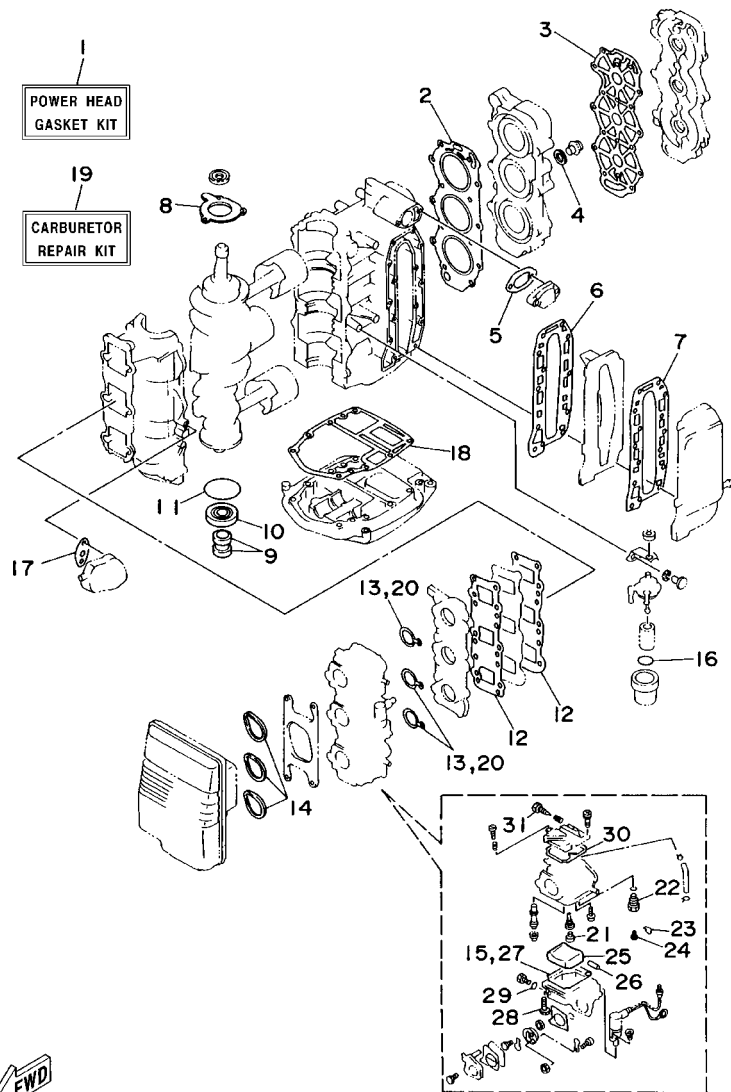


REF. NO.	PART NO. NO. PIECES	DESCRIPTION DESCRIPTION	EDO	ETO	EO	MO	MHO	REMARKS REMARQUES
1	6Y5-83500-T2	DIGITAL TACHOMETER ASSY COMPTE-TOURS NUMERIQUE CPLT		1				AP
2	9E450-04433	.CONNECTOR .CONNECTEUR		1				M-4-W
3	9E450-04533	.CONNECTOR .CONNECTEUR		1				F-4-W
4	92990-04100	.WASHER, SPRING .RONDELLE, GROWER		2				
5	95380-04600	.NUT .ECROU		2				
6	6Y5-83553-00	WIRE, LEAD FIL		1				AP
7	1E6-82151-00	.FUSE (10A) .FUSIBLE (10A)		1				
8	6R3-82521-70	WIRE, LEAD FIL		1				AP 7M
9	6R3-82553-70	EXTENSION, WIRE LEAD EXTENSION, FAISCEAU		1				AP 4P,7M
10	6H4-81315-11	LEAD WIRE ASSY FIL		1				AP

6H30100-0270

FIG. 35 REPAIR KIT 1

KITS DE REPARATION 1



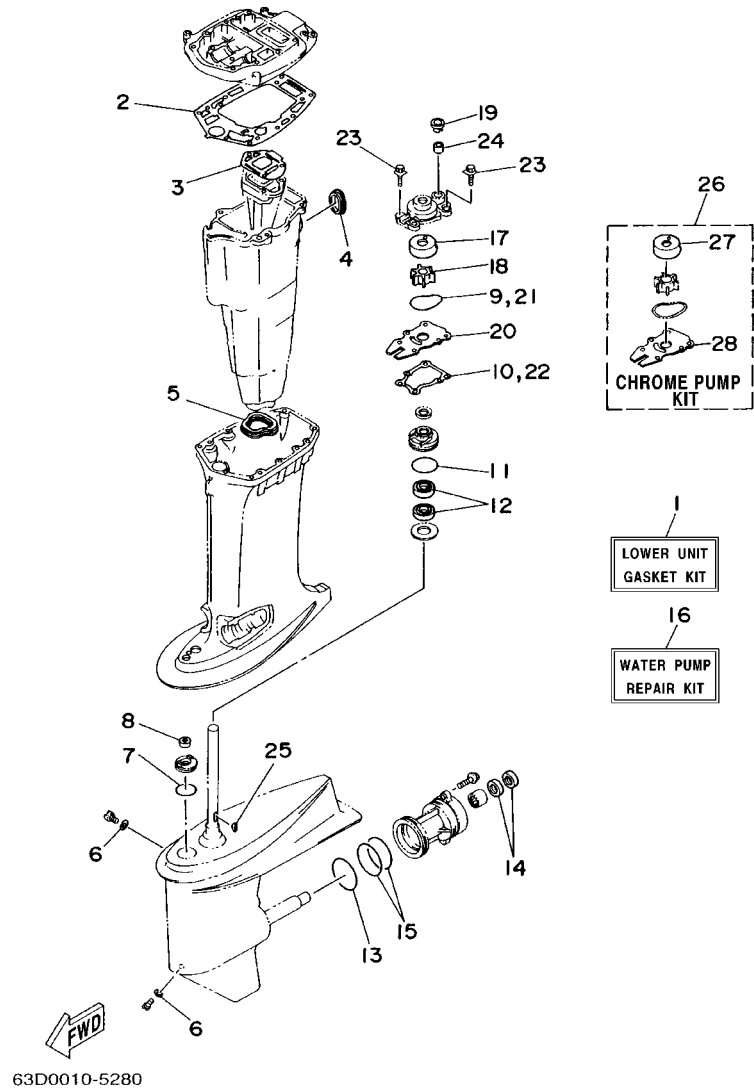
63D0010-5270

REF. NO.	PART NO. NO. PIECES	DESCRIPTION DESCRIPTION	EDO	ETO	EO	MO	MHO	REMARKS REMARQUES
1	63D-W0001-00	POWER HEAD GASKET KIT POCHETTE DE JINTS TETE MOTRICE	1	1	1	1	1	
2	63D-11181-A1	.GASKET, CYLINDER HEAD 1 .JOINT, DE CULASSE 1	1	1	1	1	1	
3	63D-11193-A0	.GASKET, HEAD COVER 1 .JOINT, COUVERCLE DE CULASSE 1	1	1	1	1	1	
4	90430-14115	.GASKET .JOINT	1	1	1	1	1	
5	61A-12414-A0	.GASKET, COVER .JOINT, COUVERCLE	1	1	1	1	1	
6	6H4-41112-A0	.GASKET, EXHAUST INNER COVER .JOINT, PLAQUE D'ECHAPPEMENT	1	1	1	1	1	
7	6H4-41114-A0	.GASKET, EXHAUST OUTER COVER .JOINT, COUVERCLE D'ECHAPPEMEN	1	1	1	1	1	
8	6H4-15369-A1	.GASKET, OIL SEAL HOUSING .JOINT SPY DE LOGEMENT	1	1	1	1	1	
9	93104-16M01	.OIL SEAL .JOINT SPY	2	2	2	2	2	
10	93102-25M28	.OIL SEAL .JOINT SPY	1	1	1	1	1	
11	93210-58M21	.O-RING .JOINT TORIQUE	1	1	1	1	1	
12	6H4-13621-A1	.GASKET, VALVE SEAT .JOINT, SIEGE DE CLAPET	2	2	2	2	2	
13	6H4-14198-01	.GASKET .JOINT	3	3	3	3	3	
14	6H3-14457-00	.SEAL .JOINT	3	3	3	3	3	
15	6H4-14984-00	.GASKET, FLOAT CHAMBER .JOINT, CUVE DE FLOTTEUR	3	3	3	3	3	
16	93210-32738	.O-RING .JOINT TORIQUE	1	1	1	1	1	
17	650-24431-A0	.GASKET, FUEL PUMP 1 .JOINT 1 DE POMPE A ESSENCE	1	1	1	1	1	
18	6H4-45113-A0	.GASKET, UPPER CASING .JOINT, TUBE D'ARBRE	1	1	1	1	1	
19	6H4-W0093-03	CARBURETOR REPAIR KIT KIT DE REPARATION CARBURATEUR	1	1	1	1	1	
20	6H4-14198-01	.GASKET .JOINT	3	3	3	3	3	
21	676-14966-00	.CAP .CAPUCHON	3	3	3	3	3	
22	6H4-14590-00	.NEEDLE VALVE ASSY .POINTEAU	3	3	3	3	3	
23	663-14159-00	.CLIP .JONC	3	3	3	3	3	
24	676-14186-00	.PIN, FLOAT .AXE, FLOTTEUR	3	3	3	3	3	
25	6H4-14985-01	.FLOAT .FLOTTEUR	3	3	3	3	3	
26	6H4-14548-00	.PIN, FLOAT ARM .AXE, BRAS DE FLOTTEUR	3	3	3	3	3	
27	6H4-14984-00	.GASKET, FLOAT CHAMBER .JOINT, CUVE DE FLOTTEUR	3	3	3	3	3	

D7

FIG. 36 REPAIR KIT 2

KITS DE REPARATION 2



REF. NO.	PART NO. NO. PIECES	DESCRIPTION DESCRIPTION	EDO	ETO	EO	MO	MHO	REMARKS REMARQUES
1	63D-W0001-20	LOWER UNIT GASKET KIT POCHETTE DE JOINTS EMBASE	1	1	1	1	1	
2	63D-45114-A0	.GASKET, UPPER CASING .JOINT, TUBE D'ARBRE	1	1	1	1	1	
3	6H4-41134-A0	.GASKET, EXHAUST MANIFOLD .JOINT, PIPE D'ECHAPPEMENT	1	1	1	1	1	
4	6H3-45127-00	.SEAL .JOINT	1	1	1	1	1	
5	63D-45123-00	.GASKET, MUFFLER .JOINT, POT DE DETENTE	1	1	1	1	1	
6	90430-08020	.GASKET .JOINT	2	2	2	2	2	
7	93210-33MG4	.O-RING .JOINT TORIQUE	1	1	1	1	1	
8	93106-09014	.OIL SEAL .JOINT SPY	1	1	1	1	1	
9	93210-59MG7	.O-RING .JOINT TORIQUE	1	1	1	1	1	
10	63D-44316-00	.GASKET, WATER PUMP .JOINT, POMPE A EAU	1	1	1	1	1	
11	93210-48MG8	.O-RING .JOINT TORIQUE	1	1	1	1	1	
12	93101-25M57	.OIL SEAL .JOINT SPY	2	2	2	2	2	
13	93210-69MG6	.O-RING .JOINT TORIQUE	1	1	1	1	1	
14	93101-22M00	.OIL SEAL .JOINT SPY	2	2	2	2	2	
15	93210-74MG5	.O-RING .JOINT TORIQUE	2	2	2	2	2	
16	63D-W0078-01	WATER PUMP REPAIR KIT KIT DE REPARATION DE LA POMPE	1	1	1	1	1	
17	63D-44322-00	.INSERT, CARTRIDGE .CUVETTE	1	1	1	1	1	
18	6H3-44352-00	.IMPELLER .TURBINE	1	1	1	1	1	
19	63D-44312-00	.COVER, WATER PUMP HOUSING .COUVERCLE	1	1	1	1	1	
20	63D-44323-00	.OUTER PLATE, CARTRIDGE .PLAQUE EXTERIEURE	1	1	1	1	1	
21	93210-59MG7	.O-RING .JOINT TORIQUE	1	1	1	1	1	
22	63D-44316-00	.GASKET, WATER PUMP .JOINT, POMPE A EAU	1	1	1	1	1	
23	90119-08M15	.BOLT, WITH WASHER .BOULON, AVEC RONDELLE	4	4	4	4	4	
24	663-44366-00	.DAMPER, WATER SEAL .JOINT, TUBE D'EAU	1	1	1	1	1	
25	90280-03024	.KEY, WOODRUFF .CLAVETTE, DEMI-LUNE	1	1	1	1	1	
26	63D-W0078-0A	CHROME PUMP KIT KIT DE POMPE A EAU CHROME	1	1	1	1	1	
27	63D-44322-40	.INSERT, CARTRIDGE .CUVETTE	1	1	1	1	1	

NUMERICAL INDEX
INDEX NUMERIQUE

PART NO. NO. PIECES	REF. NO.	PART NO. NO. PIECES	REF. NO.	PART NO. NO. PIECES	REF. NO.	PART NO. NO. PIECES	REF. NO.	PART NO. NO. PIECES	REF. NO.	PART NO. NO. PIECES	REF. NO.
63D-W0001-00	35 - 1	6J8-13411-00	7 - 37	624-14485-00	2 - 6	656-15748-00	9 - 48	692-24410-00	8 - 14	6H4-41257-00	4 - 19
63D-W0001-20	36 - 1	6J8-13414-00	6 - 36	63V-14523-00	5 - 7	6F5-15752-00	9 - 9	6H3-24411-10	5 - 41	6H4-41259-01	4 - 22
6H4-W0004-00	4 - 2		7 - 38	6H4-14548-00	5 - 10	689-15755-01	9 - 16	663-24411-00	8 - 19	6J8-41262-00	4 - 23
63D-W0070-10	1 - 11	6L2-13416-00	6 - 37		35 - 26	6H4-15758-01-4D	9 - 4	692-24411-00	8 - 16		21 - 47
63D-W0078-0A	36 - 26		7 - 39	679-14555-00	5 - 25	6H4-15761-00	1 - 2	6A0-24412-02	8 - 25	661-41262-02	4 - 20
63D-W0078-01	36 - 16	63D-13436-40	1 - 12	6H4-14567-00	5 - 31	6H4-15762-00	9 - 7	6A0-24413-00	8 - 15	6H4-41271-01	4 - 21
63D-W0084-00-4D	17 - 1	6H5-13610-00	4 - 1	6H2-14578-00	5 - 9	63D-15770-00	9 - 47	6H4-24413-00	5 - 39	689-41273-00	4 - 26
63D-W0090-10-4D	2 - 1	6H4-13621-A1	4 - 8	6H4-14590-00	5 - 27	63D-15771-00-4D	9 - 31	6A0-24421-01	8 - 23	6J8-41274-00	4 - 24
63D-W0090-30-4D	2 - 1		35 - 12		35 - 22		15 - 20	6L5-24421-00	5 - 38	63D-41632-00	18 - 5
6H4-W0093-03	35 - 19	6H4-13624-01-94	4 - 7	6K5-14592-00	5 - 5	6H4-15772-02-94	9 - 36	650-24431-A0	8 - 26	63D-41636-00	18 - 7
656-W2810-02	8 - 37	6H4-13641-12-94	4 - 5	63D-14711-00-5B	25 - 11		15 - 25		35 - 17	63D-42111-01-4D	17 - 2
63D-W4434-00	26 - 30	6H4-13641-30-94	4 - 5	63D-14711-11-5B	25 - 11	63D-15774-00	18 - 30	6H3-24434-10	5 - 42	63D-42115-00	17 - 8
63D-11111-00-94	2 - 22	6H3-14137-00	5 - 32	692-14923-00	5 - 26	6F5-15779-02	9 - 17	648-24434-01	8 - 17	664-42119-00	17 - 59
6H4-11119-00	2 - 18	6H3-14146-10	5 - 16		35 - 31	6H4-15787-01	9 - 15	648-24435-02	8 - 20	63D-42121-00-4D	17 - 66
63D-11181-A1	2 - 23	6H4-14146-00	5 - 16	63D-14943-81	5 - 22	6A0-15789-00	9 - 8	6H3-42152-00	5 - 29	63D-42126-00	17 - 48
	35 - 2	6H4-14146-10	5 - 15	676-14943-30	5 - 22	63D-21707-00	7 - 21	6H4-24486-00	5 - 40	63D-42131-00	17 - 26
63D-11191-00-9M	2 - 26	6H4-14147-00	5 - 30	676-14943-32	5 - 22	63D-21707-10	6 - 21	61N-24521-00	8 - 7	6K5-42137-00	17 - 3
63D-11193-A0	2 - 27		35 - 30	676-14943-33	5 - 22	6H3-21732-00	1 - 14	61N-24560-00	8 - 5	650-42152-00-94	17 - 9
	35 - 3	663-14159-00	5 - 12	62W-14947-00	5 - 21	6H3-21735-00	1 - 15	61N-24563-00	8 - 6	63D-42153-00	17 - 17
688-11325-00	2 - 20		35 - 23	62X-14947-00	5 - 21	63D-21744-00	6 - 29	6H4-24566-01	8 - 9	63D-42159-00	17 - 11
650-11370-00	2 - 3	676-14186-00	5 - 13	63D-14947-00	5 - 21		7 - 33	6YK-24610-00	28 - 3	6G1-42177-00	17 - 60
688-11370-00	2 - 7		35 - 24	6H4-14948-11	5 - 24	63D-2175R-00	6 - 24	6H4-24633-00	6 - 34	63D-42181-00	17 - 23
6H4-11372-00	2 - 5	6H4-14198-01	4 - 11	62X-14948-12	5 - 24		7 - 26	6H5-24633-00	7 - 29	63B-42510-00-4D	22 - 1
6H4-11400-14	3 - 8		35 - 13	676-14966-00	5 - 23	6H4-21752-00	7 - 24	6H4-24634-00	6 - 30	63B-42510-10-4D	22 - 1
6H4-11536-00	3 - 9		35 - 20		35 - 21	6H1-21757-00	7 - 31	6YL-24641-00	28 - 4	63D-42510-01-4D	22 - 1
6H4-11537-01	6 - 4	62W-14301-00	5 - 1	6H3-14980-10	5 - 18	6H4-21757-00	6 - 28	63D-26301-01	17 - 34	63D-42510-11-4D	22 - 1
	7 - 4	62X-14301-00	5 - 1	6H4-14980-00	5 - 18	6J8-21758-00	7 - 30	6E0-28193-00-94	8 - 38	6J8-42528-00	20 - 21
6H4-11545-00	10 - 14	63B-14301-00	5 - 1	6H4-14984-00	5 - 17	63D-2176M-00	6 - 25	6H4-41111-00-9M	2 - 37	624-42542-00	6 - 40
63D-11603-00	3 - 14	63D-14301-00	5 - 1		35 - 15		7 - 27	6H4-41112-A0	2 - 38		7 - 42
63D-11604-00	3 - 14	62W-14302-00	5 - 2		35 - 27	63D-2177H-00	1 - 13		35 - 6	62X-42610-30-4D	1 - 1
63D-11605-00	3 - 14	62X-14302-00	5 - 2	6H4-14985-01	5 - 14	6H4-21770-00	6 - 26	6H4-41113-00-9M	2 - 36	63D-42610-10-4D	1 - 1
6H4-11631-01-95	3 - 13	63B-14302-00	5 - 2		35 - 25		7 - 28	6H4-41114-A0	2 - 39	63D-42610-30-4D	1 - 1
648-11633-00	3 - 15	63D-14302-00	5 - 2	6H3-14992-00	5 - 19	CK5-22434-00	23 - 52		35 - 7	6H4-42613-01-4D	1 - 7
6H4-11634-01	3 - 18	62W-14303-00	5 - 3	6H4-15100-13-94	2 - 2	1UF-22434-00	23 - 19	6H4-41131-01-5B	25 - 10	6H4-42613-11-4D	1 - 7
6H4-11635-01	3 - 13	62X-14303-00	5 - 3	6H4-15100-30-94	2 - 2	CS3-22471-00	23 - 11	6H5-41131-00-5B	25 - 10	6H4-42615-00	1 - 3
6H4-11636-01	3 - 13	63B-14303-00	5 - 3	6H4-15359-04-94	10 - 3	6YK-24201-01	28 - 1	6H4-41134-A0	25 - 22	6H4-42651-00	1 - 4
6H4-11641-00	3 - 17	63D-14303-00	5 - 3	6H4-15369-A1	3 - 1	6YK-24260-01	28 - 5		36 - 3	6H4-42652-00	1 - 5
6E5-12411-20	2 - 31	6A0-14325-00	8 - 24		35 - 8	6YL-24268-01	28 - 2	63D-41137-01-5B	25 - 8	62X-42677-11	1 - 9
6H4-12413-00-9M	2 - 32	6H3-14349-00	4 - 30	6H4-15396-03-5B	3 - 2	6G1-24304-02	8 - 1		18 - 3	63D-42677-11	1 - 9
6J8-12414-A0	2 - 33		5 - 33	6H4-15705-00	9 - 27	6YL-24306-52	28 - 8	63D-41213-00	18 - 3	62X-42678-11	1 - 10
61A-12414-A0	35 - 5	63D-14380-00	5 - 34	6H4-15710-04-4D	9 - 1	6H4-24311-00	8 - 35	6H4-41217-01	4 - 25	63D-42678-11	1 - 10
6H1-13117-01	6 - 5	6H4-14406-00	4 - 12	6H4-15711-02-94	9 - 2	6H4-24312-00	8 - 33	6E9-41237-00	6 - 20	63D-42681-10	1 - 19
	7 - 5	6H4-14431-02	4 - 14	6H4-15714-00	9 - 19	6H4-24313-00	8 - 32		7 - 20	63D-42682-10	1 - 20
6E9-13183-70	6 - 44	6H4-14431-13	4 - 14	6H4-15717-01	9 - 21	6H4-24314-00	8 - 12	6H1-41237-00	6 - 16	6H1-42694-00	1 - 16
	7 - 46	6H3-14457-00	35 - 14	6H4-15723-01-94	9 - 39	6YL-24329-00	28 - 7		7 - 16	6H4-42711-07-4D	16 - 1
63D-13200-00	6 - 1	6H3-14457-01	4 - 15	6J8-15723-E1	15 - 28	6E5-24367-01	16 - 27	6H4-41237-00	18 - 8	6H4-42711-25-4D	16 - 1
	7 - 1	6H1-14485-00	4 - 6	676-15741-03	9 - 25	650-24378-00	2 - 8	6H4-41241-01	6 - 15	648-42715-00	18 - 19
6J8-13411-00	6 - 35	624-14485-00	2 - 4	63D-15746-00	9 - 44	688-24378-00	8 - 30		7 - 15	6H4-42716-00	16 - 15

NUMERICAL INDEX
INDEX NUMERIQUE

PART NO. NO. PIECES	REF. NO.	PART NO. NO. PIECES	REF. NO.	PART NO. NO. PIECES	REF. NO.	PART NO. NO. PIECES	REF. NO.	PART NO. NO. PIECES	REF. NO.	PART NO. NO. PIECES	REF. NO.
63D-42717-00	16 - 21	689-43373-01	20 - 22	6H1-43844-10	23 - 38	63D-44316-00	36 - 22	63D-45375-00	27 - 6	663-45958-01-EL	27 - 25
6E5-42724-00	16 - 16	6J8-43611-01	21 - 20	CS3-43845-00	23 - 61	63D-44322-00	26 - 22	663-45376-00-94	27 - 5	663-45970-60-98	27 - 25
6H4-42724-00	16 - 13	6J8-43613-01	21 - 18	CS3-43853-00	23 - 32		36 - 17	6E5-45378-00	26 - 17	697-45970-00-98	27 - 25
6H4-42724-20	16 - 13	6J8-43614-00	21 - 16	CS3-43854-00	23 - 49	63D-44322-40	36 - 27	63D-45501-00	26 - 36	663-45972-60-98	27 - 25
6H4-42725-00	16 - 29	6J8-43615-00	21 - 17	CS3-43855-00	23 - 35	63D-44323-00	26 - 26	63D-45501-10	26 - 36	663-45974-02-98	27 - 25
63D-42725-00	17 - 32	6H4-43616-00	21 - 30	6H1-43856-10	23 - 37		36 - 20	6H4-45536-00	26 - 4	663-45974-60-98	27 - 25
6H4-42726-00	16 - 24		21 - 39	62X-4386K-00	24 - 10	63D-44323-40	36 - 28	6H4-45551-01	26 - 37	663-45976-00-98	27 - 25
6H4-42726-40	16 - 23	6J8-43616-10	21 - 48	62X-43861-00	23 - 4	63D-44341-00	26 - 31	6H4-45560-01	26 - 39	663-45978-00-98	27 - 25
676-42726-00	16 - 23	6J8-43617-00	21 - 33	62X-43862-00	23 - 5	6H3-44352-00	26 - 23	663-45567-01-10	26 - 41	663-45987-02	27 - 20
688-42726-10	16 - 24	6J8-43617-10	21 - 41	62X-43865-00	23 - 64		36 - 18	663-45567-01-12	26 - 41	670-45997-02	27 - 21
6H3-42727-00	16 - 36	6J8-43627-00	21 - 11	CS3-4387G-00	23 - 54	63D-44361-00	27 - 1	663-45567-01-15	26 - 41	63D-48118-00	17 - 19
63D-42741-00-4D	16 - 20	6J8-43631-00	21 - 27	CS3-4387J-00	23 - 51	63D-44361-10	27 - 1	663-45567-01-18	26 - 41	63D-48119-00	17 - 16
6G1-42748-00	4 - 26	6J8-43631-10	21 - 37	CS3-43871-00	23 - 53	663-44366-00	27 - 18	663-45567-01-30	26 - 41	701-48126-00	32 - 41
6H4-42815-00	16 - 2	63D-43631-00	19 - 37	62X-43871-00	23 - 7		36 - 24	663-45567-01-40	26 - 41	701-48130-E0	30 - 2
6H4-42816-00	16 - 5	6J8-43633-00	21 - 28	6H1-43875-00	23 - 60	63D-44367-00	27 - 4	663-45567-01-50	26 - 41		32 - 1
6H4-43111-05-4D	20 - 1		21 - 38	61A-43875-00	23 - 15	6E5-44391-00	16 - 14	6H4-45571-01	26 - 42	701-48133-00	32 - 42
63D-43111-01-4D	19 - 1	6J8-43641-00	21 - 31	62X-43875-00	23 - 20	63D-44514-01-94	22 - 22	63D-45577-00-10	26 - 46	701-48152-11	32 - 13
6H4-43112-04-4D	20 - 2		21 - 40	67F-43875-00	23 - 12	63D-44526-00	22 - 24	63D-45577-00-12	26 - 46	703-48152-00	31 - 57
63D-43112-01-4D	19 - 2	6H4-43659-00	21 - 19	62X-4388A-00	23 - 10	63D-44551-01-4D	22 - 9	63D-45577-00-15	26 - 46	701-48153-12	32 - 33
6J8-43113-01	20 - 11	6J8-43673-00	21 - 36	CS3-4388F-00	23 - 30	63D-44552-01-4D	22 - 18	63D-45577-00-18	26 - 46	703-48153-00	31 - 3
648-43114-01	20 - 8	6H4-43674-00	21 - 25	CS3-43880-00	24 - 2	63D-44555-00-94	22 - 11	63D-45577-00-30	26 - 46	63D-48154-00	17 - 49
6E0-43118-01	20 - 5	6J8-43681-01	21 - 35	62X-43881-00	24 - 13	687-44555-00-94	22 - 11	63D-45577-00-40	26 - 46	701-48189-11	32 - 31
6E5-43126-02	19 - 40	63D-43691-00	19 - 36	6H1-43883-00	23 - 27	663-44575-00	22 - 16	63D-45577-00-50	26 - 46	703-48189-00	31 - 17
63D-43128-01-4D	19 - 5	62Y-4380F-00	24 - 9	62X-43888-00	24 - 1	63D-45111-01-4D	25 - 1	663-45587-01-10	26 - 5	701-48196-11	32 - 7
63D-43131-01	19 - 14	62X-4380H-00	24 - 14	CS3-43891-00	24 - 6	63D-45111-11-4D	25 - 1	663-45587-01-12	26 - 5	701-48197-10	32 - 3
	20 - 9	CS3-4380K-00	23 - 2	CS3-43892-00	24 - 5	6H4-45113-A0	25 - 19	663-45587-01-15	26 - 5	701-48198-10	32 - 15
6G5-43144-00	19 - 28	62Y-43800-00-4D	23 - 1	62Y-43894-00	23 - 50		35 - 18	663-45587-01-18	26 - 5	703-48198-00	31 - 14
6E5-43145-01	29 - 9	62X-43804-01	24 - 4	62X-43899-00	23 - 16	63D-45114-A0	25 - 9	663-45587-01-30	26 - 5	703-48201-A1	30 - 1
6G5-43145-01	19 - 18	CS3-43805-00	24 - 3	63D-44100-11	17 - 5		36 - 2	663-45587-01-40	26 - 5		31 - 1
	20 - 14	62X-43807-00	24 - 8	63D-44104-00	17 - 6	63D-45123-00	25 - 12	663-45587-01-50	26 - 5	703-48205-A3	30 - 1
6G5-43148-00	19 - 24	6T4-43808-00	23 - 31	63D-44113-01	17 - 14		36 - 5	63D-45611-00	26 - 55		31 - 1
6H4-43160-01	21 - 1	62X-43810-01	23 - 3	63D-44117-00	18 - 16	6H3-45127-00	25 - 18	63D-45631-01	26 - 57	703-48211-01	31 - 61
688-43160-01	19 - 29	CS3-43814-00	23 - 13	63D-44120-00	18 - 13		36 - 4	663-45633-00	26 - 62	703-48212-00	31 - 58
676-43165-00	21 - 2	CS3-43816-00	23 - 43	63D-44120-10	18 - 13	63D-45155-00	25 - 4	663-45634-00	26 - 58	701-48213-00	32 - 19
688-43165-00	19 - 30	6H1-43816-00	23 - 56	63D-44121-00	18 - 24	63D-45214-00	26 - 10	63D-45635-00	26 - 60	703-48213-00	31 - 59
62X-43170-01-4D	19 - 33	CS3-4382A-00	23 - 41	688-44122-00	18 - 28	63D-45215-00	26 - 11	663-45930-00-98	27 - 25	703-48215-00	31 - 43
62X-43170-11-4D	19 - 33	CS3-4382L-00	23 - 44	63D-44132-00	17 - 18	63D-45251-00	19 - 6	663-45941-01-EL	27 - 25	703-48218-00	31 - 65
6H5-43181-03	19 - 19	6H1-43829-00	23 - 63	63D-44144-00	26 - 52	65W-45251-00	19 - 49	6H5-45943-00-EL	27 - 25	703-48219-00	31 - 30
6J8-43181-01	21 - 5	CS3-43830-00	23 - 23	663-44151-00	26 - 51	663-45251-00	19 - 34	663-45943-02-EL	27 - 25	701-48221-00	32 - 6
6H5-43185-03	19 - 20	6H1-43831-10	23 - 21	63D-44159-01	17 - 56	67C-45251-00	27 - 15	6H5-45945-00-EL	27 - 25	703-48221-00	31 - 56
6J8-43186-00	21 - 42	6H1-4384F-10	23 - 36	63D-44173-00	17 - 58	63D-45300-02-4D	26 - 1	663-45945-02-EL	27 - 25	701-48222-00	32 - 27
6J8-43187-00	21 - 43	69A-4384F-00	23 - 26	6G8-44191-00	17 - 52	63D-45300-12-4D	26 - 1	663-45947-02-EL	27 - 25	703-48222-00	31 - 27
6J8-43311-04-4D	20 - 19	CS3-4384G-00	23 - 48	688-44194-00	18 - 12	63D-45301-03-4D	26 - 2	663-45949-01-EL	27 - 25	703-48223-00	31 - 28
6J8-43311-10-4D	20 - 19	6H1-4384G-11	23 - 14	63D-44311-00	26 - 21	63D-45321-00	26 - 14	6H5-45952-00-EL	27 - 25	703-48224-00	31 - 55
63D-43311-03-4D	19 - 12		23 - 34	63D-44312-00	27 - 19	688-45341-00	26 - 9	663-45952-02-EL	27 - 25	703-48225-00	31 - 29
63D-43311-13-4D	19 - 12	62X-4384H-00	23 - 18		36 - 19	63D-45344-00	26 - 34	663-45954-01-EL	27 - 25	703-48226-00	31 - 26
682-43318-01	19 - 38	69A-4384M-00	23 - 25	63D-44316-00	26 - 27	63D-45361-02-4D	26 - 43	663-45956-01-EL	27 - 25	703-48227-00	31 - 24
	21 - 10	69A-43841-00	23 - 24		36 - 10	664-45371-01	27 - 12	6H5-45958-00-EL	27 - 25	701-48229-00	32 - 26

NUMERICAL INDEX
INDEX NUMERIQUE

PART NO. NO. PIECES	REF. NO.	PART NO. NO. PIECES	REF. NO.	PART NO. NO. PIECES	REF. NO.	PART NO. NO. PIECES	REF. NO.	PART NO. NO. PIECES	REF. NO.	PART NO. NO. PIECES	REF. NO.
701-48232-00	32 - 30	701-48320-20	30 - 3	6H5-81949-00	12 - 27	688-82575-01	31 - 47	63D-85550-10	10 - 1	90152-06M01	19 - 35
703-48232-00	31 - 62	701-48320-30	30 - 3	61A-81949-00	12 - 28	701-82575-53	32 - 39	63D-85560-00	10 - 2	90157-05M16	28 - 6
701-48234-00	32 - 5	701-48320-50	30 - 3	6H1-81950-00	12 - 19	676-82577-00	31 - 45	63D-85560-10	10 - 2	90157-06M01	16 - 26
703-48234-00	31 - 18	701-48320-60	30 - 3	6Y5-81950-02	33 - 10	688-8258A-20	31 - 49	6H5-85570-00	11 - 7	90157-06M13	18 - 10
701-48235-00	32 - 2	701-48320-80	30 - 3	6H4-81952-00	12 - 3	6E5-82587-00	12 - 33	63D-85580-00	10 - 6	90159-06M18	17 - 57
703-48235-00	31 - 4	63D-48321-01	17 - 33	6H2-81960-10	12 - 8	6E5-82588-00	16 - 37	63D-85720-00	7 - 50	90159-06M21	15 - 34
63D-48236-00	17 - 15	6H4-48344-00	18 - 1	6J8-81960-00	13 - 1	63D-82590-10	12 - 18	63D-85720-10	6 - 47	90159-06M22	15 - 35
701-48236-00	32 - 8	63D-48344-00	18 - 29	6H4-81975-02	13 - 4	63D-82590-20	12 - 18	9E450-04433	34 - 2	90170-09M03	29 - 5
703-48236-00	31 - 16	663-48344-00	18 - 29	6H4-82105-02	12 - 1	703-82591-00	31 - 53	9E450-04533	34 - 3	90170-12138	26 - 38
63D-48237-00	17 - 20	703-48345-01	31 - 19	63D-82105-U0	12 - 1	703-82592-00	31 - 54	90101-06020	19 - 48	90170-18M10	19 - 45
702-48237-00	32 - 9		32 - 36	6H4-82117-00	12 - 31	63D-82594-00	12 - 15	90101-08M15	22 - 23	90171-16011	27 - 23
63D-48238-00	17 - 22	701-48358-00	32 - 38	6Y5-82117-00	33 - 19	701-82594-00	32 - 45	90101-08339	20 - 15	90179-06M24	11 - 20
702-48238-00	32 - 10	703-48358-00	31 - 20	682-82119-01	12 - 29	703-82594-00	31 - 25	90101-09M01	29 - 7	90179-16M05	10 - 15
703-48238-00	31 - 22	63D-48511-00-4D	22 - 36	703-82119-00	10 - 13	6H4-83354-00	10 - 7	90101-10M58	20 - 24	90183-05M06	1 - 18
701-48243-00	32 - 14	6H4-48531-11-94	16 - 7		11 - 4	703-83383-A0	31 - 51	90101-12M09	17 - 35	90185-08045	22 - 26
703-48243-00	31 - 15	63D-48531-00	17 - 37		16 - 25	6Y5-83500-T2	34 - 1	90101-12M65	19 - 50	90185-09M01	29 - 4
703-48244-00	31 - 21	6H4-48532-11-94	16 - 8		22 - 37	6Y5-83509-03	33 - 6	90105-06M15	12 - 25	90185-10051	22 - 8
703-48245-00	31 - 11	63D-48538-00	17 - 38	63D-82127-00	22 - 21	6Y5-83514-00	33 - 5	90105-06M16	12 - 26	90185-12M12	17 - 46
701-48246-00	32 - 24	63D-61350-00	29 - 1	63D-82127-10	22 - 21	6Y5-83517-00	33 - 2	90105-06M18	20 - 23	90185-22M11	19 - 17
703-48246-00	31 - 23	63D-61351-00	29 - 2	6E5-82148-00	20 - 3	6Y5-83518-00	33 - 7	90105-08M61	26 - 44		20 - 13
701-48248-00	31 - 13	6H4-81315-11	34 - 10	6H1-82148-00	19 - 9		33 - 13	90109-06M39	6 - 7	90201-05M04	23 - 55
	32 - 12	6H4-81332-00	10 - 17	63D-82148-00	19 - 3	6Y5-83523-00	33 - 4		7 - 7	90201-05652	5 - 6
701-48249-00	32 - 11	6H4-81337-01	15 - 32	6H4-82150-00	12 - 9	6Y5-83536-00	33 - 14	90109-06M40	6 - 8	90201-065F3	9 - 22
701-48252-00	32 - 4	63D-81345-00	10 - 8	1E6-82151-00	33 - 18	6Y5-83536-10	33 - 3		7 - 8	90201-08M93	6 - 3
703-48252-00	31 - 12	63D-81345-10	10 - 9		34 - 7	6Y5-83540-05	33 - 1	90109-06M43	18 - 4		7 - 3
701-48255-00	32 - 21	63D-81345-20	10 - 10	682-82151-00	12 - 10	6Y5-83544-00	33 - 15	90109-12M21	22 - 15	90201-083J8	24 - 16
63D-48261-00	17 - 7	6J8-81365-A0	9 - 40	CS3-82181-00	24 - 7	6Y5-83553-00	33 - 17	90116-06M22	12 - 5	90201-09425	22 - 25
701-48261-20	32 - 37		15 - 29	6A0-82317-00	6 - 39		34 - 6	90116-10175	22 - 7	90201-10M20	29 - 3
703-48261-01	31 - 2	6F5-81800-11	15 - 1		7 - 41	6G1-83557-00	11 - 25	90116-18M52	19 - 44	90201-10M63	29 - 8
703-48264-00	31 - 6	689-81807-12	15 - 3	6G1-82370-21	11 - 11	6E5-83558-00	22 - 32	90119-06M13	2 - 10	90201-12M16	22 - 12
703-48265-00	31 - 9	689-81809-11	15 - 7	703-82510-11	31 - 44		26 - 19	90119-06M51	11 - 2	90201-12426	19 - 52
701-48266-00	32 - 29	689-81810-11	15 - 9	6R3-82521-70	33 - 20	6E5-83558-10	26 - 19	90119-06M61	16 - 19		20 - 26
701-48268-00	32 - 18	689-81811-11	15 - 10		34 - 8	6H4-83589-00	16 - 33	90119-06M65	6 - 41	90201-13M19	22 - 14
703-48268-00	31 - 5	689-81812-11	15 - 12	63D-82531-00	11 - 23	6R3-83614-00	12 - 34		7 - 43	90201-16M44	10 - 16
701-48271-00	32 - 34	689-81813-10	15 - 13	703-82531-00	31 - 46	688-83664-00	33 - 16	90119-06M67	6 - 42	90201-22M03	19 - 16
703-48271-00	31 - 60	689-81820-11	15 - 14	703-82540-00	31 - 50	6Y5-83670-12	33 - 12		7 - 44		20 - 12
701-48280-00	32 - 48	6H4-81822-02-98	11 - 14	703-82542-00	31 - 64	63D-83672-01	22 - 33	90119-06M73	16 - 6	90201-22429	26 - 56
701-48281-10	32 - 16	689-81826-10	15 - 15	6R3-82553-70	33 - 21	63D-84301-00	16 - 36	90119-06M99	1 - 8	90201-27M00	26 - 35
703-48281-00	31 - 31	6F5-81830-11	15 - 4		34 - 9	6F5-84340-00	16 - 40	90119-08M15	26 - 29	90201-30M00	22 - 2
703-48282-00	31 - 32	689-81831-00	15 - 5	682-82556-00	14 - 2	63D-84342-00	16 - 32		36 - 23	90201-50306	3 - 12
701-48283-00	32 - 44	689-81840-11	15 - 11		31 - 48	682-84381-00	13 - 9	90119-08M19	2 - 9	90202-05088	6 - 17
703-48284-00	31 - 52	689-81847-11	15 - 6		32 - 40	6J8-85410-00	16 - 29	90119-08M29	2 - 28		7 - 17
701-48287-00	31 - 42	689-81850-12	15 - 8	6H4-82560-00	11 - 13	6H4-85415-10	16 - 31	90119-08M79	25 - 17	90202-07M07	18 - 15
	32 - 46	689-81857-11	15 - 2	689-82560-00	11 - 12	63D-85520-00	10 - 4	90119-08M83	25 - 7	90202-12031	21 - 9
702-48288-00	32 - 23	6F5-81922-00	13 - 6	63D-82563-10	12 - 32	63D-85520-01	10 - 4	90119-08M84	27 - 11		21 - 14
703-48291-10	31 - 39	6G1-81941-10	12 - 2	703-82563-02	31 - 55	63D-85533-00	10 - 5	90142-05M06	26 - 12	90202-12060	27 - 2
703-48293-10	31 - 41	6H4-81945-00	12 - 4	689-8257Y-00	14 - 3	63D-85540-02	11 - 1	90149-05M13	17 - 61	90202-24M53	17 - 53
701-48320-00	30 - 3	6H4-81945-20	12 - 22	6K5-82575-03	14 - 1	63D-85550-00	10 - 1	90149-14M12	20 - 7	90202-25M04	22 - 13

NUMERICAL INDEX
INDEX NUMERIQUE

PART NO. NO. PIECES	REF. NO.	PART NO. NO. PIECES	REF. NO.	PART NO. NO. PIECES	REF. NO.	PART NO. NO. PIECES	REF. NO.	PART NO. NO. PIECES	REF. NO.	PART NO. NO. PIECES	REF. NO.
90202-26M45	13 - 10	90430-12072	27 - 3	90465-11M10	19 - 55	90508-20M22	21 - 49	92990-08600	20 - 17	93102-08414	24 - 15
90206-12M16	21 - 15	90430-14115	2 - 25		22 - 30	90508-25M21	21 - 44		31 - 34	93102-23096	10 - 12
90206-12M22	17 - 45		35 - 4		26 - 20	90508-26M35	18 - 6	92990-12200	17 - 36	93102-25M28	3 - 3
90206-12052	16 - 3	90440-14M00	13 - 8	90465-13M11	22 - 35	90510-08002	9 - 20	92990-12600	17 - 44		35 - 10
90209-06M05	4 - 18		19 - 54	90465-13M18	33 - 11	91318-05008	23 - 46	92990-16200	27 - 22	93104-16M01	3 - 4
90243-04M01	20 - 6	90445-07MA3	2 - 16	90465-13M30	7 - 25	91318-05020	23 - 45	92995-05600	10 - 19		35 - 9
90249-06M19	19 - 25	90445-07MA5	4 - 28	90467-06016	2 - 15	91318-06040	23 - 58		16 - 10	93106-09014	26 - 15
90249-06M23	21 - 32	90445-07MA6	6 - 11		2 - 17	91490-20010	17 - 51	92995-06100	9 - 12		36 - 8
90249-06M24	21 - 32		7 - 11		4 - 29		21 - 26		19 - 8	93210-04228	5 - 28
90249-07M25	21 - 45	90445-07ME9	26 - 18	90467-08004	2 - 41	91490-20012	18 - 27		25 - 3	93210-04230	5 - 20
90249-12M27	21 - 12	90445-07MF1	22 - 31		4 - 31	91490-30025	27 - 24	92995-06600	3 - 7		35 - 29
90249-12M28	21 - 7	90445-07M23	6 - 10		6 - 38	91690-30010	21 - 3		8 - 3	93210-06001	23 - 33
90250-06023	26 - 61		7 - 10		7 - 40	91690-30012	19 - 31		8 - 28		23 - 57
90266-04M01	1 - 6	90445-07M24	2 - 14		8 - 4	91690-30020	19 - 23		9 - 29	93210-07003	26 - 53
90269-02M09	17 - 4	90445-07M27	2 - 13		8 - 13	91690-30025	17 - 10		9 - 46	93210-09165	23 - 62
90280-03024	26 - 25	90445-07M31	26 - 18		8 - 34	91690-40018	9 - 3		11 - 6	93210-13M04	6 - 6
	36 - 25	90445-07M44	6 - 9	90467-10M04	6 - 31	92A08-03110	23 - 39		11 - 10		7 - 6
90338-05M03	1 - 17		7 - 9		7 - 34	92903-05100	33 - 9		11 - 16	93210-16275	29 - 10
	16 - 26	90445-07M46	2 - 12	90467-11M08	6 - 23	92903-06600	2 - 30		11 - 22	93210-18397	23 - 59
90338-05M11	12 - 14	90445-07M87	6 - 43		6 - 46		2 - 35		11 - 28	93210-19MA7	6 - 2
90340-08M04	26 - 7		7 - 45		7 - 23		2 - 43		12 - 12		7 - 2
90340-14M00	2 - 24	90445-09M37	2 - 40		7 - 48		4 - 10		12 - 17	93210-29M94	22 - 5
90386-07M58	18 - 25	90445-09057	8 - 31	90468-05M03	6 - 18		5 - 44		12 - 21	93210-29375	23 - 6
90386-08032	17 - 64	90445-09063	8 - 29		7 - 18		9 - 35		13 - 3		23 - 22
90386-10M16	19 - 21	90445-11M15	6 - 22	90468-07M02	6 - 12		9 - 38		16 - 12	93210-32738	8 - 8
90386-10025	19 - 22		7 - 22		6 - 13		10 - 21		16 - 39		35 - 16
90386-12M93	17 - 42	90445-11M17	6 - 32		6 - 45		15 - 24		17 - 25	93210-33MG4	26 - 16
90386-12069	16 - 4		7 - 35		7 - 12		15 - 27		17 - 29		36 - 7
90386-18M35	19 - 42	90445-11M23	6 - 27		7 - 13		18 - 21		17 - 31	93210-44383	23 - 8
90386-18M44	19 - 47		7 - 32		7 - 47		18 - 23		17 - 41	93210-48MG8	26 - 33
90386-18M92	19 - 41	90446-10M01	6 - 33	90468-18008	18 - 2	92903-08600	9 - 33		18 - 32		36 - 11
90386-22M15	19 - 15		7 - 36		18 - 14		9 - 42		19 - 11	93210-48214	23 - 9
90386-22M69	20 - 10	90446-10M02	11 - 24	90480-09M21	16 - 17		11 - 18	92995-08100	22 - 20	93210-52449	24 - 17
90386-29M95	17 - 43	90464-03M15	10 - 11	90480-13M24	12 - 23		15 - 17		22 - 28	93210-58M21	3 - 5
90386-30M60	22 - 6	90464-05M16	11 - 26	90480-14M14	17 - 27		15 - 19		27 - 14		35 - 11
90386-30M77	22 - 4	90464-06M19	4 - 27	90480-25161	11 - 8		15 - 22		27 - 17	93210-59MG7	26 - 24
90386-30M78	22 - 3	90464-07M20	6 - 14	90501-10227	9 - 49		15 - 31	92995-08600	17 - 55		36 - 9
90387-06M05	12 - 24		7 - 14	90501-10326	5 - 8	92903-10600	17 - 62		25 - 14		36 - 21
90387-06M41	16 - 18		12 - 30	90501-12082	18 - 18	92990-04100	34 - 4		25 - 16	93210-69MG6	26 - 48
90387-06M65	15 - 33	90464-08M07	16 - 30	90501-16M01	26 - 59	92990-05100	8 - 22	92995-10100	27 - 9		36 - 13
90387-06M66	9 - 43	90464-09M13	16 - 25	90501-23215	17 - 63	92990-05600	4 - 4	92995-10600	20 - 25	93210-74MG5	26 - 47
90387-06M69	9 - 10	90464-09M42	17 - 39	90502-10M04	21 - 4	92990-06300	32 - 25		27 - 10		36 - 15
90387-07M64	21 - 21	90464-12M35	13 - 7	90502-16M02	19 - 32	92990-06600	9 - 6	92995-12200	19 - 51	93306-001U1	26 - 45
90387-08M03	20 - 16	90464-15M11	8 - 36	90506-12M25	21 - 6		9 - 13	92995-18600	19 - 46	93306-305U8	3 - 10
90387-10M42	29 - 6		11 - 3	90506-14M24	19 - 26		12 - 7	93101-22M00	26 - 50	93315-32224	26 - 3
90387-12M02	17 - 47	90464-15M27	12 - 13	90506-32M22	21 - 24		16 - 28		36 - 14	93317-22204	26 - 49
90430-08020	26 - 8	90465-06M86	7 - 49	90508-18M23	21 - 29		16 - 35	93101-25M57	26 - 32	93332-00001	26 - 6
	36 - 6		22 - 29	90508-18M24	21 - 29	92990-08200	18 - 26		36 - 12	93332-00003	26 - 40

NUMERICAL INDEX
INDEX NUMERIQUE

PART NO. NO. PIECES	REF. NO.	PART NO. NO. PIECES	REF. NO.	PART NO. NO. PIECES	REF. NO.	PART NO. NO. PIECES	REF. NO.	PART NO. NO. PIECES	REF. NO.	PART NO. NO. PIECES	REF. NO.
93410-18M02	19 - 43	95380-12600	19 - 53	97095-06020	9 - 23	98780-06025	32 - 20				
93410-28M06	22 - 10	95380-12800	22 - 17		11 - 9	98785-05014	17 - 21				
93430-04M03	17 - 65	95670-06640	11 - 19		16 - 11	98980-03006	5 - 37				
93430-06M02	9 - 26	97013-06012	5 - 43		16 - 38	99001-03600	23 - 28				
	21 - 22		13 - 5	97095-06025	8 - 2	99080-05600	21 - 23				
93430-06024	31 - 10	97013-06014	2 - 19		12 - 20		21 - 34				
	31 - 63		8 - 10		19 - 7		21 - 46				
	32 - 35	97013-06018	10 - 20	97095-06030	9 - 11	99530-10014	9 - 30				
93430-08006	17 - 13	97013-06020	4 - 9		11 - 15						
	26 - 54		9 - 34	97095-06035	9 - 28						
93430-10M00	21 - 8		15 - 23	97095-06040	8 - 27						
	21 - 13		18 - 20		9 - 45						
93440-62057	3 - 11	97013-06025	2 - 29	97095-06095	4 - 13						
93501-04M02	18 - 17		2 - 34	97095-08025	27 - 13						
93501-08001	23 - 47		9 - 37	97095-08030	31 - 33						
93503-16003	23 - 17		15 - 26	97095-08035	27 - 16						
93505-32038	23 - 29	97013-06035	2 - 42	97095-08040	17 - 54						
93602-20M02	3 - 16	97013-06045	18 - 22	97380-05025	31 - 8						
93604-08062	26 - 28	97013-08014	15 - 30	97575-08445	25 - 5						
93604-26256	23 - 42	97013-08016	15 - 18		25 - 21						
93606-12019	2 - 11	97013-08020	9 - 41	97607-04212	24 - 12						
	25 - 6	97013-08025	9 - 32	97780-60525	16 - 22						
	25 - 20		15 - 21	97803-04010	5 - 35						
	27 - 7	97013-08030	15 - 16	97880-05014	4 - 3						
93700-06M03	19 - 13	97013-08050	11 - 17	97880-05020	24 - 11						
	20 - 20	97075-08030	22 - 19	97880-06014	16 - 34						
94702-00247	2 - 44		22 - 27	97885-05010	10 - 18						
94702-00271	2 - 44		25 - 13	97885-06008	19 - 4						
95303-05600	33 - 8		25 - 15		20 - 4						
95303-06600	18 - 11	97075-10040	27 - 8	97885-06016	17 - 28						
95307-03600	23 - 40	97080-06018	32 - 22		22 - 34						
95380-03600	5 - 36	97095-05016	16 - 9	97885-06040	4 - 16						
	8 - 18	97095-06010	19 - 10		17 - 30						
95380-04600	34 - 5		19 - 27	97885-06055	4 - 17						
95380-05600	6 - 19		19 - 39	97980-04114	5 - 4						
	7 - 19	97095-06012	12 - 16		35 - 28						
	18 - 9		13 - 2	98503-05028	8 - 21						
	26 - 13		25 - 2	98580-03015	31 - 38						
	31 - 7	97095-06014	11 - 5	98580-04006	31 - 36						
95380-06600	9 - 14		11 - 21	98580-04008	5 - 11						
	9 - 24		11 - 27	98580-04010	31 - 35						
	12 - 6		12 - 11	98580-05010	31 - 37						
	17 - 50	97095-06016	9 - 5		32 - 17						
	31 - 40		12 - 35		32 - 32						
	32 - 47		17 - 24	98580-05020	32 - 43						
95380-08600	8 - 11		17 - 40	98580-05555	32 - 28						
	20 - 18		18 - 31	98580-06016	17 - 12						
95380-10600	20 - 27	97095-06020	3 - 6	98780-04016	2 - 21						

40VMO/40VMHO/40VEO/40VETO/
40YETO/40YMHO/50HEDO
PARTS CATALOGUE

© 2000 by Yamaha Motor Co., Ltd.
1st Edition, Dec. 2000
All rights reserved.

Any reprinting or unauthorized use
without the written permission of
Yamaha Motor Co., Ltd.
is expressly prohibited.

40VMO/40VMHO/40VEO/40VETO/
40YETO/40YMHO/50HEDO
CATALOGUE DE PIECES DETACHEES

© 2000 Yamaha Motor Co., Ltd.
1ère Edition, Déc. 2000
Tous droits réservés.

Toute réimpression ou utilisation
sans la permission écrite de la
Yamaha Motor Co., Ltd.
est formellement interdite.