

**PARTS  
CATALOGUE  
CATALOGUE  
DE PIÈCES DÉTACHÉES**

**20D'02(6L31)**

**25N'02(6L21)**

**YAMAHA**  
**GENUINE**  
Parts & Accessories

2A6L2-300F1

# FOREWORD

This Parts Catalogue is related to the parts for the model(s) in the below frame. When you are ordering replacement parts, please refer to this Parts Catalogue and quote both part numbers and part names correctly.

20D'02(6L31), 25N'02(6L21)

1. Modifications or additions which have been made after issue of the Parts Catalogue will be announced in the Yamaha Parts News.  
It is advisable that you make necessary corrections to the Parts Catalogue according to the Yamaha Parts News.

2. Abbreviations

The Following abbreviations are used in this Parts Catalogue.

“UR” Use specified parts number.

“UN” Use as many as needed.

“AP” Alternate Parts

“LM” Local Made

(Parts need to be ordered locally)

“O/S” Over Size

3. Parts, which are to be supplied in an assembly, are listed with a dot(.) in front of the part name as shown below.

EXAMPLE

CARBURETOR ASSY

.JET, PILOT

.NOZZLE, MAIN

4. Number of component for assembly

The numeral appearing to the right of each component part indicates the quantity of parts for each assembly unit.

EXAMPLE

PART NO.	DESCRIPTION	□	□	□	□	REMARKS
6E0-85500-70	C.D.I. MAGNETO ASSY	1				
6E0-85550-70	.ROTOR ASSY	1				
6E0-15723-00-94.	PULLY, STARTER	1				

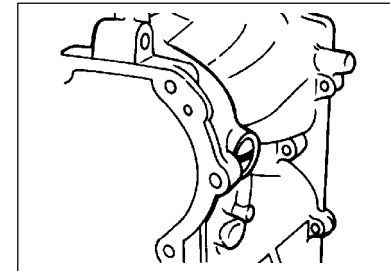
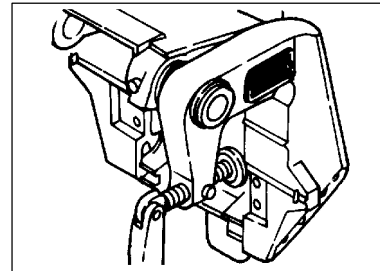
5. Quantity Column Information

NAME for Q'TY COLUMN	APPLICABLE MODEL
20MO	20DMHO
25MO	25NMHO
20WO	20DWO
25WO	25NWO

6. Applicable Starting Serial No. and Color Code

1) Engine Starting Serial No.

20DMHO 6L3K S : 300187	20DWO 6L3K S : 750208
6L3K L : 450202	6L3K L : 900203
25NMHO 6L2K S : 200388	25NWO 6L2K S : 500164
6L2K L : 300202	6L2K L : 450185



2) Color Code

Color Code	Color Name	Abbreviation
004D	DARK BLuish GRAY METALLIC 2	DBNM2

7. Note that the illustrations for reference in finding parts numbers, not to be used for assembling. When assembling, please use the applicable service manual.

8. The asterisk (\*) before a reference number indicates modification items after the first edition.

# CONTENTS

## SHEET 1/2

TOP COWLING .....	A4
CYLINDER. CRANKCASE .....	A5
CRANKSHAFT. PISTON .....	A7
INTAKE .....	B2
CARBURETOR .....	B4
OIL PUMP .....	B6
FUEL .....	C1
STARTER .....	C2
GENERATOR .....	C4
ELECTRICAL 1 .....	C6
ELECTRICAL 2 .....	C7
STARTING MOTOR .....	D2
BOTTOM COWLING .....	D3
STEERING .....	D5
CONTROL 1 .....	D7
CONTROL 2 .....	E2
BRACKET 1 .....	E3
BRACKET 2 .....	E6
UPPER CASING .....	F1
LOWER CASING. DRIVE 1 .....	F2
LOWER CASING. DRIVE 2 .....	F5
FUEL TANK .....	F7

## INDEX

NUMERICAL INDEX .....	G1
-----------------------	----

## SHEET 2/2

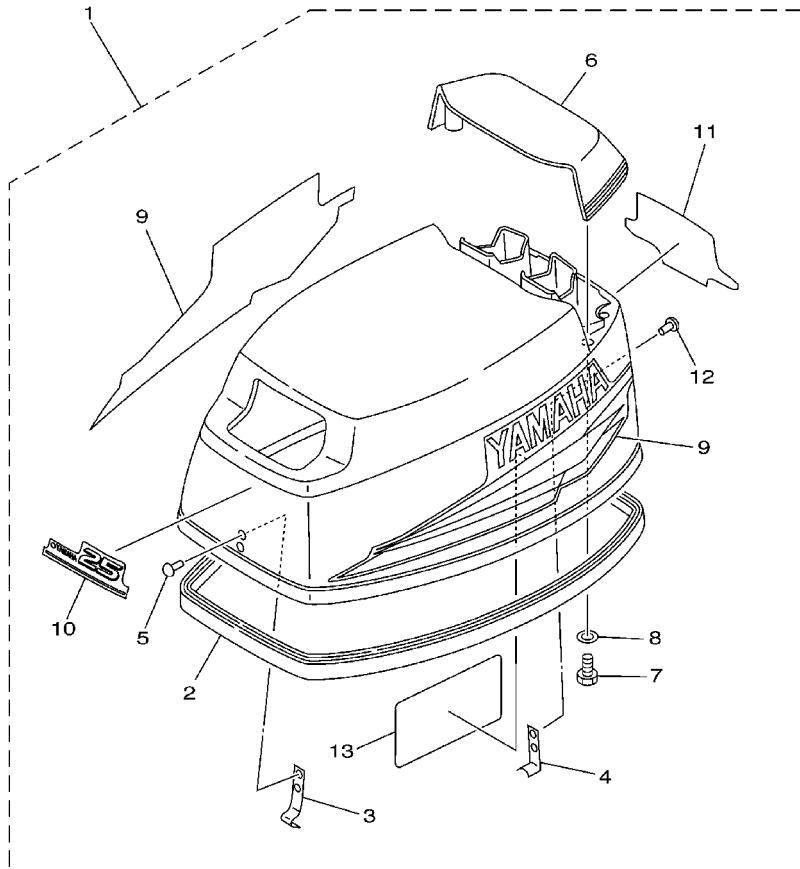
STEERING GUIDE .....	A4*
REMOTE CONTROL BOX .....	A5*
REMOTE CONTROL ASSY .....	A6*
REPAIR KIT 1 .....	B2*
REPAIR KIT 2 .....	B3*

## INDEX

NUMERICAL INDEX .....	G1*
-----------------------	-----

FIG. 1 TOP COWLING

CAPOT SUPERIEUR

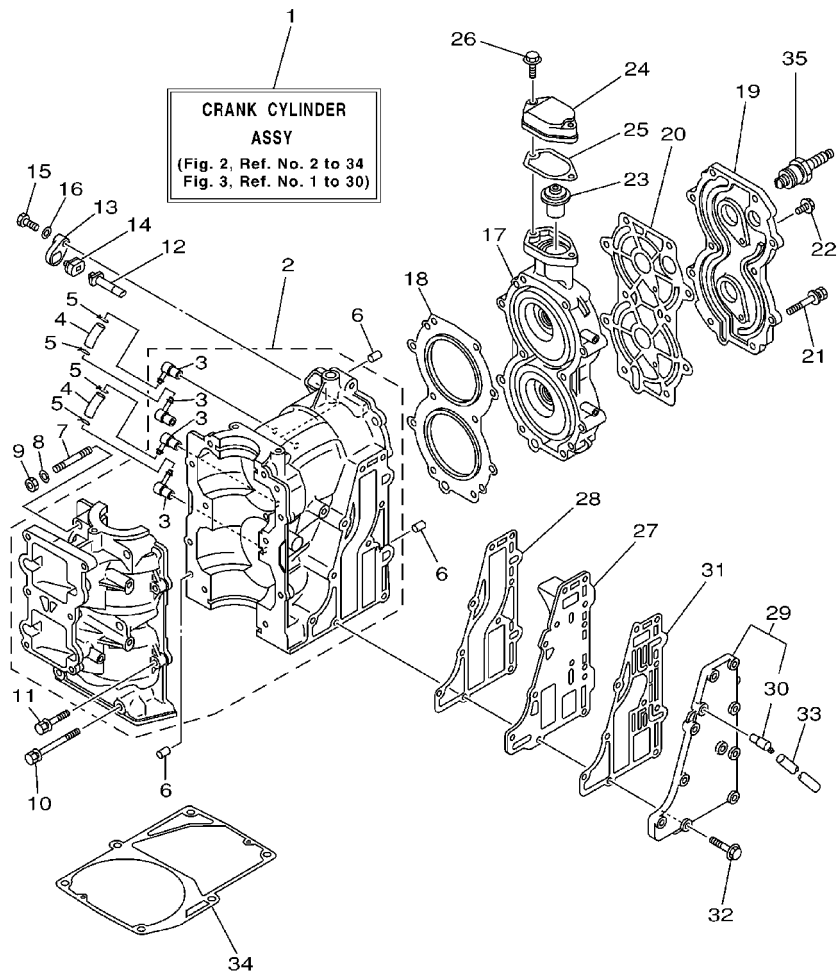


REF. NO.	PART NO. NO. PIECES	DESCRIPTION DESCRIPTION	20MO	25MO	20WO	25WO	REMARKS REMARQUES
1	6L2-42610-30-4D	TOP COWLING ASSY CAPOT (ENS.)		1		1	
	6L3-42610-30-4D	TOP COWLING ASSY CAPOT (ENS.)	1		1		
2	6L2-42615-00	.SEAL .JOINT	1	1	1	1	
3	6G1-42651-71	.HOOK .CROCHET	1	1	1	1	
4	6L2-42647-00	.HOLDER, CLAMP BAND .SUPPORT, SANDOW DE SERRAGE	1	1	1	1	
5	90266-04M00	.RIVET .RIVET	2	2	2	2	
6	6L2-42613-01-4D	.MOLDING, AIR DUCT .MANCHON A AIR	1	1	1	1	
7	97095-06016	.BOLT .BOULON	4	4	4	4	
8	92995-06600	.WASHER .RONDELLE	4	4	4	4	
9	6L2-W0070-13	.GRAPHIC SET .JEU DIEMBLEMES	1	1	1	1	
10	6L2-42677-20	.GRAPHIC, FRONT .ADHESIF, AVANT		1		1	
	6L3-42677-20	.GRAPHIC, FRONT .ADHESIF, AVANT	1		1		
11	6L2-42678-11	.GRAPHIC, REAR .ADHESIF, ARRIERE		1		1	
	6L3-42678-11	.GRAPHIC, REAR .ADHESIF, ARRIERE	1		1		
12	90266-04M04	RIVET RIVET	2	2	2	2	
13	6L2-13437-00	.MARK, CAUTION .MARKER	1	1	1	1	



6L21300-2010

FIG. 2 CYLINDER. CRANKCASE CYLINDRE. CARTER

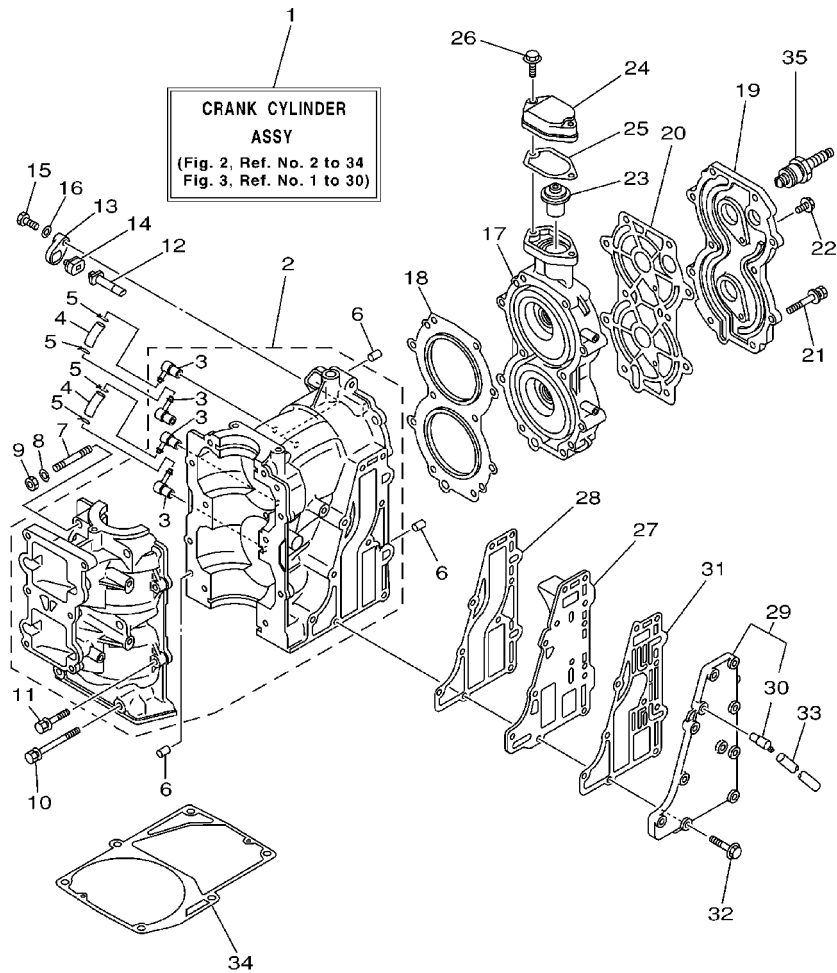


REF. NO.	PART NO. NO. PIECES	DESCRIPTION DESCRIPTION	20MO	25MO	20WO	25WO	REMARKS REMARQUES
1	6L2-W0090-11-1S	CRANK CYLINDER ASSY EMBIELLAGE CYLINDRE (ENS.)	1	1	1	1	O/I
2	6L2-15100-10-1S	CRANKCASE ASSY CARTER DE MOTEUR COMPLET	1	1	1	1	O/I
3	6E5-11372-00	.NIPPLE, HOSE .RACCORD, TUYAU	4	4	4	4	
4	90445-07M15	HOSE (L40) DURITE (L40)	2	2	2	2	
5	90467-06016	CLIP JONG	4	4	4	4	
6	93604-12M07	PIN, DOWEL GOIJON	4	4	4	4	
7	95617-08645	BOLT, STUD GOIJON	2	2	2	2	
8	90201-08086	WASHER, PLATE RONDELLE, PLATE	2	2	2	2	
9	95333-08600	NUT ECROU	2	2	2	2	
10	90119-08M65	BOLT, WITH WASHER BOULON, AVEC RONDELLE	4	4	4	4	
11	90119-06M14	BOLT, WITH WASHER BOULON, AVEC RONDELLE	4	4	4	4	
12	6J8-11325-00	ANODE ANODE	1	1	1	1	
13	6H3-11327-00-1S	COVER, ANODE COUVERCLE	1	1	1	1	
14	6H3-11328-00	GROMMET, ANODE PASSE-FIL	1	1	1	1	
15	97013-06016	BOLT BOULON	1	1	1	1	
16	92903-06600	WASHER, PLATE RONDELLE, PLATE	1	1	1	1	
17	6L2-11111-01-1S	HEAD, CYLINDER 1 CULASSE	1	1	1	1	
18	6L2-11181-A2	GASKET, CYLINDER HEAD 1 JOINT, DE CULASSE 1	1	1	1	1	
19	6L2-11191-00-1S	COVER, CYLINDER HEAD 1 COUVERCLE, CULASSE 1	1	1	1	1	
20	6L2-11193-A1	GASKET, HEAD COVER 1 JOINT, COUVERCLE DE CULASSE 1	1	1	1	1	
21	90119-08M91	BOLT, WITH WASHER BOULON, AVEC RONDELLE	10	10	10	10	
22	90119-06023	BOLT, WITH WASHER BOULON, AVEC RONDELLE	2	2	2	2	
23	6E5-12411-20	THERMOSTAT THERMOSTAT	1	1	1	1	UR
	6E5-12411-01	THERMOSTAT THERMOSTAT				1	UR
24	6H4-12413-00-1S	COVER, THERMOSTAT COUVERCLE, THERMOSTAT	1	1	1	1	
25	6J8-12414-A0	GASKET, COVER JOINT, COUVERCLE	1	1	1	1	
26	90119-06MA3	BOLT, WITH WASHER BOULON, AVEC RONDELLE	2	2	2	2	



6L20100-1020

FIG. 2 CYLINDER. CRANKCASE CYLINDRE. CARTER



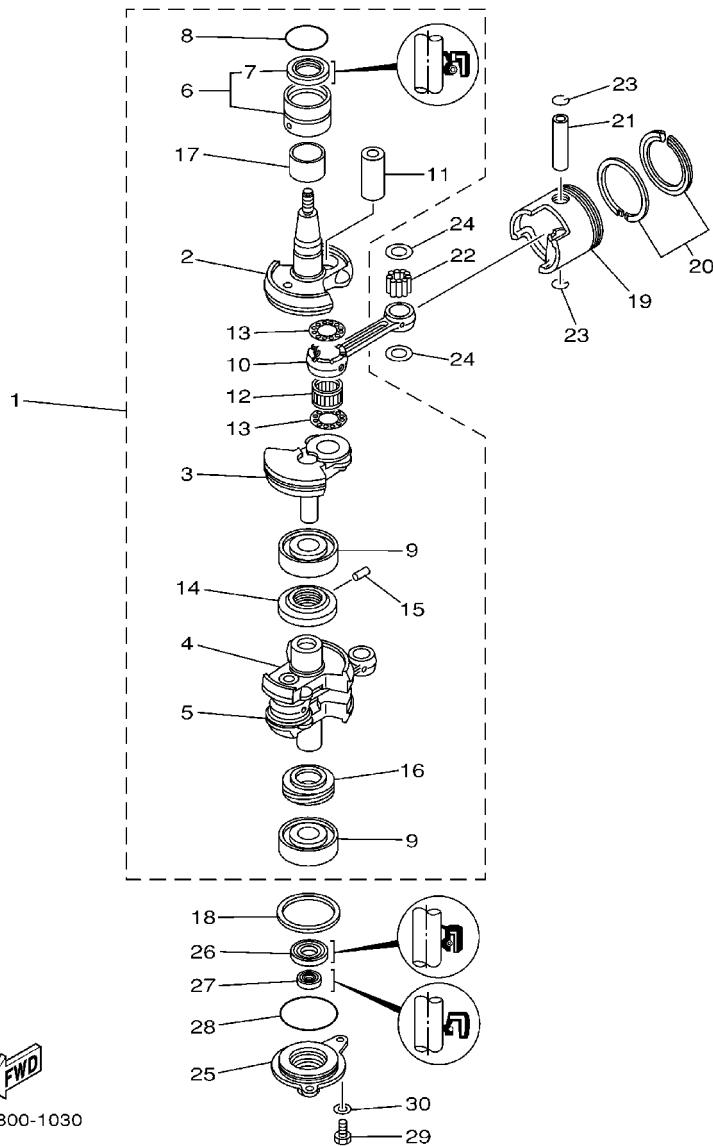
REF. NO.	PART NO. NO. PIECES	DESCRIPTION DESCRIPTION	20MO	25MO	20WO	25WO	REMARKS REMARQUES
27	6L2-41111-00-1S	INNER COVER, EXHAUST PLAQUE, ECHAPPEMENT	1	1	1	1	
28	6L2-41112-A1	GASKET, EXHAUST INNER COVER JOINT, PLAQUE D'ECHAPPEMENT	1	1	1	1	
29	6L2-41113-00-1S	OUTER COVER, EXHAUST COUVERCLE, ECHAPPEMENT	1	1	1	1	
30	676-11372-00	.NIPPLE, HOSE .RACCORD, TUYAU	1	1	1	1	
31	6L2-41114-A1	GASKET, EXHAUST OUTER COVER JOINT, COUVERCLE D'ECHAPPEMENT	1	1	1	1	
32	90119-06MA4	BOLT, WITH WASHER BOULON, AVEC RONDELLE	10	10	10	10	
33	90445-10M40	HOSE (L330) DURITE (L330)	1	1	1	1	
34	6L2-45113-A1	GASKET, UPPER CASING JOINT, TUBE D'ARBRE	1	1	1	1	
35	94702-00271	PLUG, SPARK (NGK BR7HS-10) BOUGIE D'ALLUMAGE (NGK BR7HS-10)	2	2	2	2	



6L20100-1020

FIG. 3 CRANKSHAFT. PISTON

VILEBREQUIN. PISTON

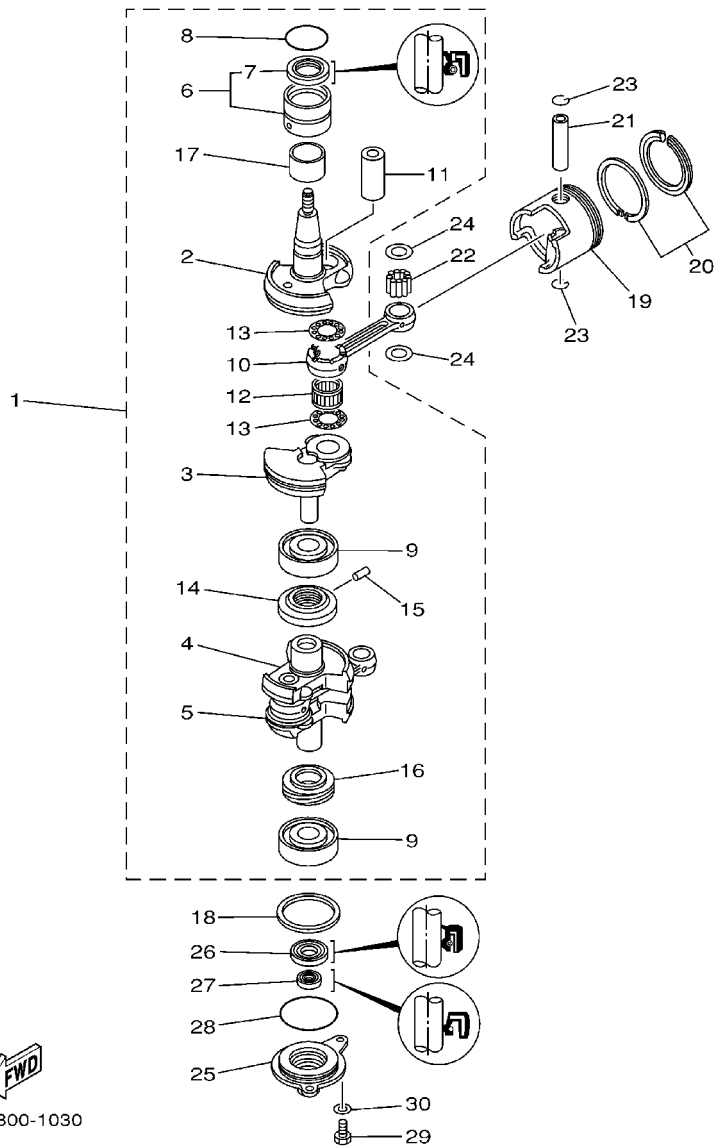


6L20300-1030

REF. NO.	PART NO. NO. PIECES	DESCRIPTION DESCRIPTION	20MO	25MO	20WO	25WO	REMARKS REMARQUES
1	6L2-11400-10	CRANKSHAFT ASSY VILEBREQUIN COMPLET	1	1	1	1	O/I
2	6L2-11412-00	.CRANK 1 .MASSOLOTTE DE VILEBREQUIN 1	1	1	1	1	
3	6L2-11422-00	.CRANK 2 .MASSOLOTTE DE VILEBREQUIN 2	1	1	1	1	
4	6L2-11432-00	.CRANK 3 .MASSOLOTTE DE VILEBREQUIN 3	1	1	1	1	
5	6L2-11442-00	.CRANK 4 .MASSOLOTTE DE VILEBREQUIN 4	1	1	1	1	
6	93311-632U7	.BEARING .ROULEMENT	1	1	1	1	
7	93102-26M27	..OIL SEAL ..JOINT SPY	1	1	1	1	
8	93210-42159	.O-RING .JOINT TORIQUE	1	1	1	1	
9	93306-305U3	.BEARING .ROULEMENT	2	2	2	2	
10	6L2-11651-00	.ROD, CONNECTING .BIELLE NUE	2	2	2	2	
11	6L2-11681-00	.PIN, CRANK 1 .MANETON, VILEBREQUIN 1	2	2	2	2	
12	93310-424W9	.BEARING .ROULEMENT	2	2	2	2	
13	90209-24M15	.WASHER .RONDELLE	4	4	4	4	
14	6L2-11515-00	.SEAL, LABYRINTH 1 .JOINT, LABYRINTHE 1	1	1	1	1	
15	91690-30010	.PIN, SPRING .GOUPILLE, ELASTIQUE	1	1	1	1	
16	6J8-11536-00	.GEAR, DRIVE .ENGRENAGE, MENANT	1	1	1	1	O/I
17	90387-28M00	.COLLAR .COLLERETTE	1	1	1	1	
18	90201-50306	WASHER, PLATE .RONDELLE, PLATE	1	1	1	1	
19	6L2-11631-00-97	PISTON (STD) PISTON (STD)	2	2	2	2	
	6L2-11635-00	PISTON (0.25MM O/S) PISTON (0.25MM O/S)	2	2	2	2	AP
	6L2-11636-00	PISTON (0.50MM O/S) PISTON (0.50MM O/S)	2	2	2	2	AP
20	6L2-11610-00	PISTON RING SET (STD) JEU DE SEGMENTS (STD)	2	2	2	2	
	6L2-11610-10	PISTON RING SET (0.25MM O/S) JEU DE SEGMENTS (0.25MM O/S)	2	2	2	2	AP
	6L2-11610-20	PISTON RING SET (0.50MM O/S) JEU DE SEGMENTS (0.50MM O/S)	2	2	2	2	AP
21	648-11633-00	PIN, PISTON AXE, PISTON	2	2	2	2	
22	93602-18M12	PIN, DOWEL GOUJON	62	62	62	62	
23	93450-20026	CIRCLIP CIRCLIP, TYPE S	4	4	4	4	

**FIG. 3 CRANKSHAFT. PISTON**

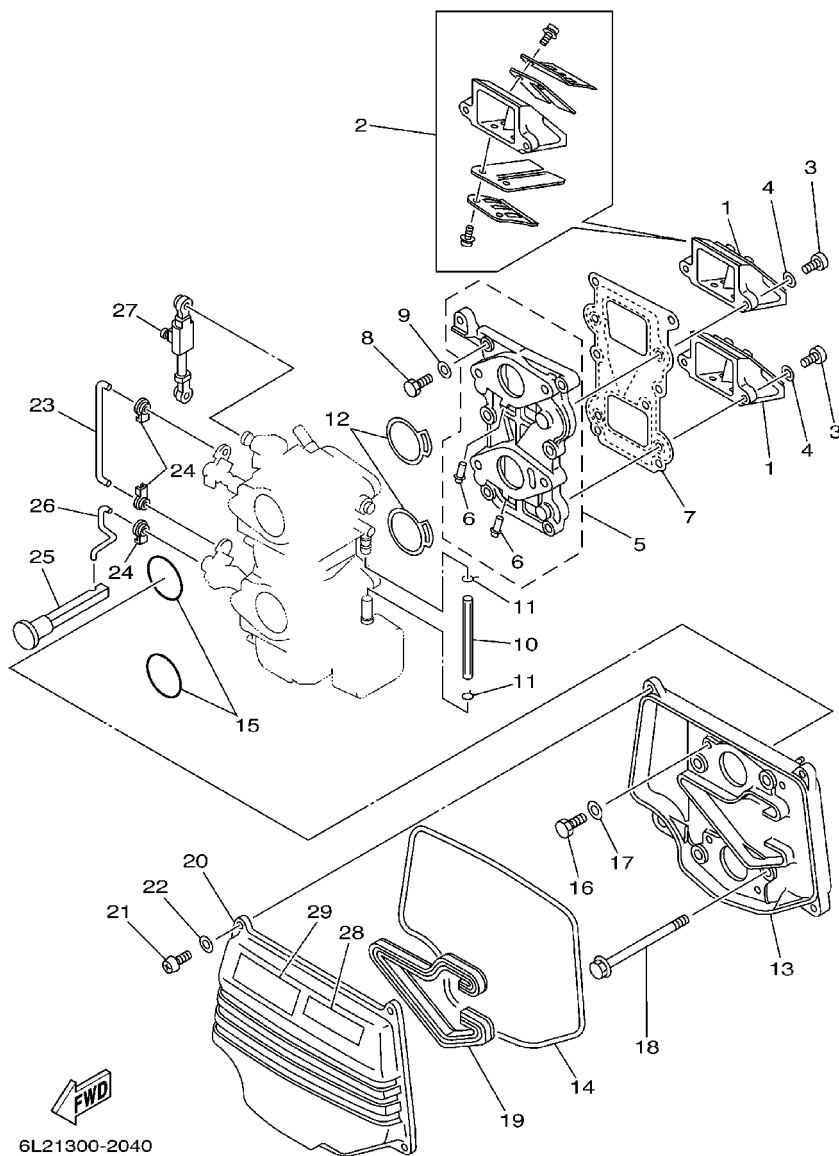
**VILEBREQUIN. PISTON**



**FWD**  
6L20300-1030

REF. NO.	PART NO. NO. PIECES	DESCRIPTION DESCRIPTION	20MO	25MO	20WO	25WO	REMARKS REMARQUES
24	90201-18522	WASHER, PLATE RONDELLE, PLATE	4	4	4	4	
25	6L2-15396-00-1S	HOUSING, OIL SEAL LOGEMENT DE JOINT SPY	1	1	1	1	
26	93102-25142	OIL SEAL JOINT SPY	1	1	1	1	
27	93101-13M37	OIL SEAL JOINT SPY	1	1	1	1	
28	93210-56M80	O-RING JOINT TORIQUE	1	1	1	1	
29	97095-06016	BOLT BOULON	2	2	2	2	
30	92995-06600	WASHER RONDELLE	2	2	2	2	





6L21300-2040

FIG. 4 INTAKE

ADMISSION

REF. NO.	PART NO. NO. PIECES	DESCRIPTION DESCRIPTION	ADMISSION				REMARKS REMARQUES
			20MO	25MO	20WO	25WO	
1	6L2-13610-00	REED VALVE ASSY CLAPET COMPLET	2	2	2	2	
2	6L2-W0004-00	.REED SET .JEU DE CLAPETS	1	1	1	1	
3	97880-05016	SCREW, PAN HEAD VIS, TETE TRONCONIQUE	4	4	4	4	
4	92990-05600	WASHER, PLATE RONDELLE, PLATE	4	4	4	4	
5	6L2-13641-10-94	MANIFOLD 1 TUBULURE 1	1	1	1	1	O/I
6	676-14485-00	.PIPE, JOINT .DURITE	2	2	2	2	
7	6L2-13621-00	GASKET, VALVE SEAT JOINT, SIEGE DE CLAPET	1	1	1	1	
8	97013-06025	BOLT BOULON	6	6	6	6	
9	92903-06600	WASHER, PLATE RONDELLE, PLATE	6	6	6	6	
10	90445-09012	HOSE (L70) DURITE (L70)	1	1	1	1	
11	90467-08004	CLIP JONC	2	2	2	2	
12	6L2-14198-00	GASKET JOINT	2	2	2	2	
13	6L2-14417-00-94	COVER 1 COUVERCLE 1	1	1	1	1	
14	6L2-14476-00	SEAL JOINT SPY	1	1	1	1	
15	93210-35M86	O-RING JOINT TORIQUE	2	2	2	2	
16	97013-05012	BOLT BOULON	4	4	4	4	
17	92903-05600	WASHER, PLATE RONDELLE, PLATE	4	4	4	4	
18	97513-06585	BOLT, WITH WASHER VIS HEXAGONAL AVC RONDELLE	4	4	4	4	
19	6L2-14476-11	SEAL JOINT SPY	1	1	1	1	
20	6L2-14418-00	COVER 2 COUVERCLE 2	1	1	1	1	
21	97880-05016	SCREW, PAN HEAD VIS, TETE TRONCONIQUE	4	4	4	4	
22	92990-05600	WASHER, PLATE RONDELLE, PLATE	4	4	4	4	
23	6J8-41259-00	ROD, CHOKE 3 TRINGLE 3, STARTER	1	1	1	1	
24	661-41262-02	JOINT, CHOKE LEVER RACCORD, LEVIER DE STARTER	3	3	3	3	
25	6J8-41271-01	KNOB, CHOKE BOUTON DE STARTER	1	1	1	1	
26	6L2-41257-00	ROD, CHOKE 2 TRINGLE 2, STARTER	1	1	1	1	
27	6L2-41217-00	ROD, ACCEL. LEVER TIGE, LEVIER ACCELERATION	1	1	1	1	

B2

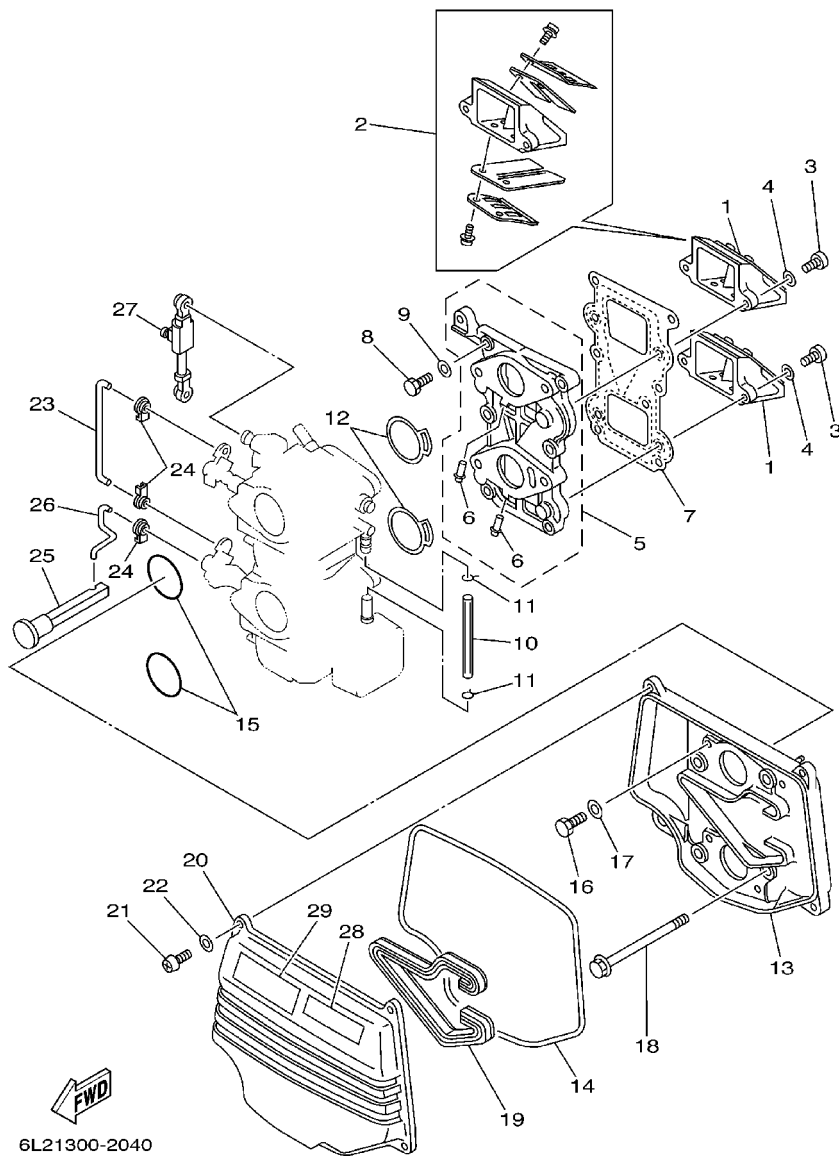


FIG. 4 INTAKE

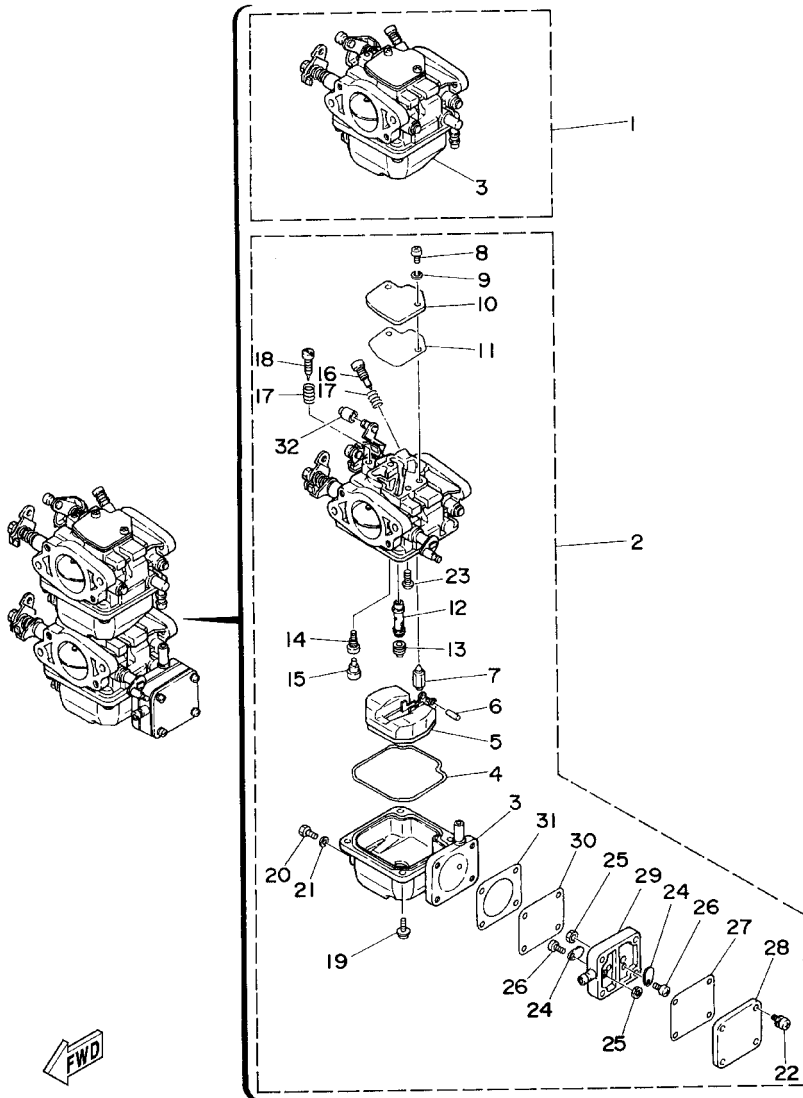
ADMISSION

REF. NO.	PART NO. NO. PIECES	DESCRIPTION DESCRIPTION	ADMISSION				REMARKS REMARQUES
			20MO	25MO	20WO	25WO	
28	6A1-83625-41	MARK 5 ETIQUETTE 5	1	1	1	1	
29	6A1-83625-51	MARK 5 ETIQUETTE 5	1	1	1	1	

FIG. 5 CARBURETOR

CARBUREATEUR

REF. NO.	PART NO. NO. PIECES	DESCRIPTION DESCRIPTION	20MO	25MO	20WO	25WO	REMARKS REMARQUES
1	6L2-14301-01	CARBURETOR ASSY 1 CARBURATEUR COMPLET 1		1		1	#1
	6L3-14301-00	CARBURETOR ASSY 1 CARBURATEUR COMPLET 1	1		1		#1
2	6L2-14302-01	CARBURETOR ASSY 2 CARBURATEUR COMPLET 2		1		1	#2
	6L3-14302-00	CARBURETOR ASSY 2 CARBURATEUR COMPLET 2	1		1		#2
3	6L2-14381-00	.BODY, FLOAT CHAMBER 1 .CORPS, CUVE DE FLOTTEUR 1	1	1	1	1	#1
	6L2-14383-00	.BODY, FLOAT CHAMBER 2 .CORPS, CUVE DE FLOTTEUR 2	1	1	1	1	#2
4	6L2-14384-00	.GASKET, FLOAT CHAMBER .JOINT, CUVE DE FLOTTEUR	2	2	2	2	
5	6L2-14385-00	.FLOAT .FLOTTEUR	2	2	2	2	
6	6E5-14386-01	.PIN, FLOAT .AXE, FLOTTEUR	2	2	2	2	
7	6L2-14392-00	.VALVE, NEEDLE .POINTEAU	2	2	2	2	
8	97880-04010	.SCREW, PAN HEAD .VIS, TETE TRONCONIQUE	4	4	4	4	
9	92900-04100	.WASHER .RONDELLE	4	4	4	4	
10	6L2-14157-00	.COVER, MIXING .COUVERCLE DE CHAMBRE	2	2	2	2	
11	6L2-14399-00	.GASKET .JOINT	2	2	2	2	
12	6L2-14341-00	.NOZZLE, MAIN .PUITS D'AIGUILLE	2	2	2	2	
13	30X-14343-63	.JET, MAIN (#125) .GICLEUR, PRINCIPAL (#125)	2	2	2	2	
14	6L2-14342-30	.JET, PILOT (# 60) .GICLEUR, RALENTI (# 60)	2	2	2	2	
15	50M-14355-00	.PLUG .PLOT	2	2	2	2	
16	6L2-14323-00	.SCREW, AIR ADJUSTING .VIS DE DOSEUR D'AIR	2	2	2	2	
17	646-14212-01	.SPRING, PILOT ADJUSTING .RESSORT, VIS DE RALENTI	4	4	4	4	
18	664-14321-01	.SCREW, THROTTLE .VIS, ACCELERATEUR	2	2	2	2	
19	97980-04112	.SCREW, WITH WASHER .VIS, AVEC RONDELLE	8	8	8	8	
20	677-14383-00	.SCREW, DRAIN .BOUCHON, PURGE	2	2	2	2	
21	6L2-14398-00	.GASKET .JOINT	2	2	2	2	
22	677-24444-01	.SCREW .VIS	4	4	4	4	
23	98980-04006	.SCREW, BIND .VIS, DE PRESSION	2	2	2	2	
24	6A0-24421-01	.VALVE, CHECK .SOUPAPE, RETENUE	2	2	2	2	

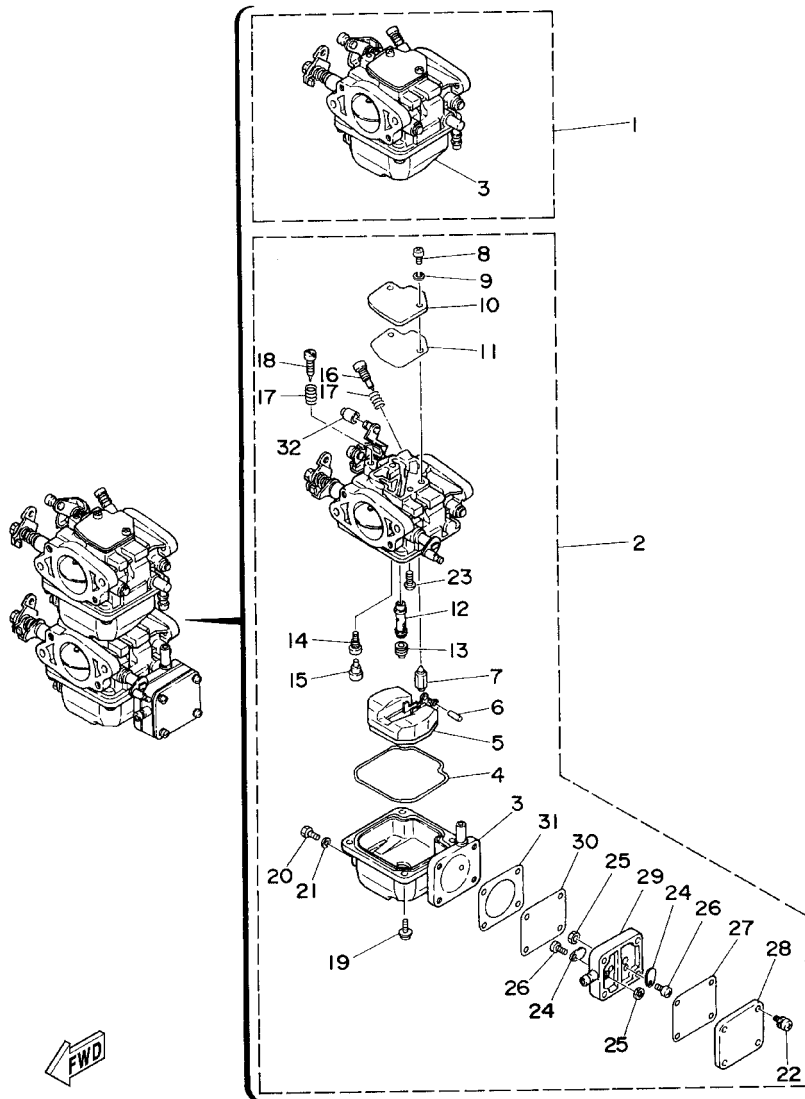


6L21010-2050

FIG. 5 CARBURETOR

CARBURATEUR

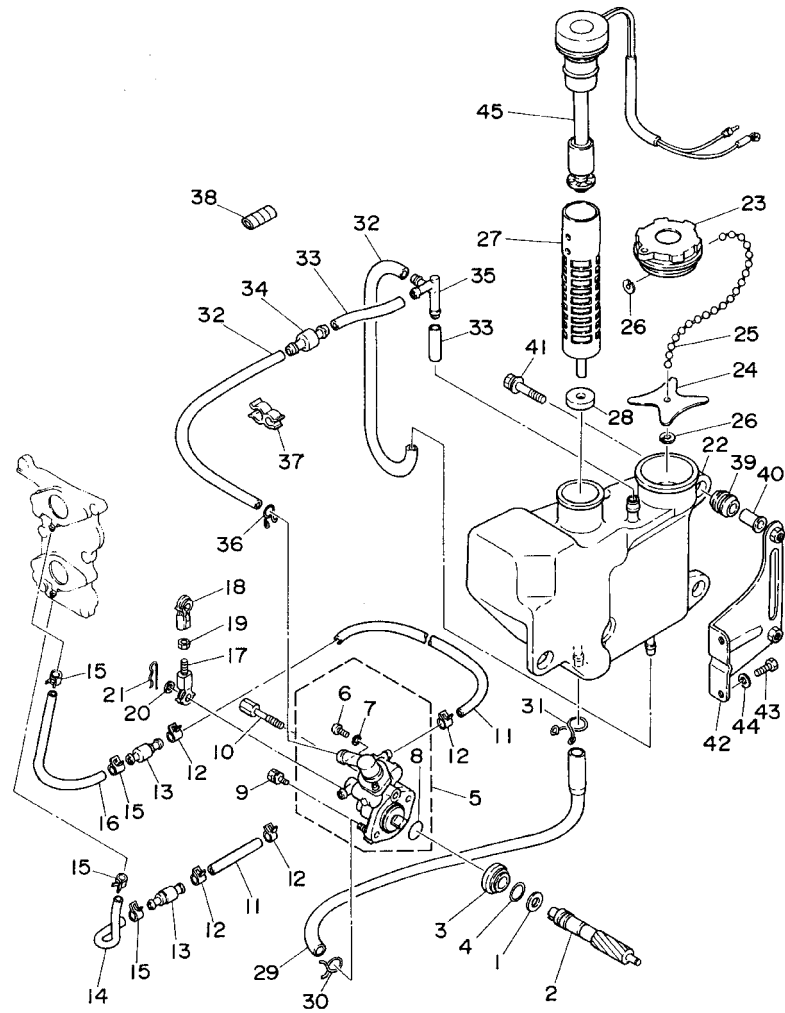
REF. NO.	PART NO. NO. PIECES	DESCRIPTION DESCRIPTION	20MO	25MO	20WO	25WO	REMARKS REMARQUES
25	95380-03600	.NUT .ECROU	2	2	2	2	
26	6E7-14325-00	.SCREW, PAN HEAD .VIS TETE CONIQUE	2	2	2	2	
27	6L2-24435-00	.GASKET, BODY 2 .JOINT, CORPS 2	1	1	1	1	
28	6L2-24413-00	.BODY 2 .CORPS 2	1	1	1	1	
29	682-24412-01	.BODY 1 .CORPS 1	1	1	1	1	
30	677-24411-02	.DIAPHRAGM .DIAPHRAGME	1	1	1	1	
31	677-24434-02	.GASKET, BODY .JOINT, CORPS	1	1	1	1	
32	6L2-14578-00	.COLLAR .COLLERETTE	1	1	1	1	#2



6L21010-2050

FIG. 6 OIL PUMP

POMPE A HUILE

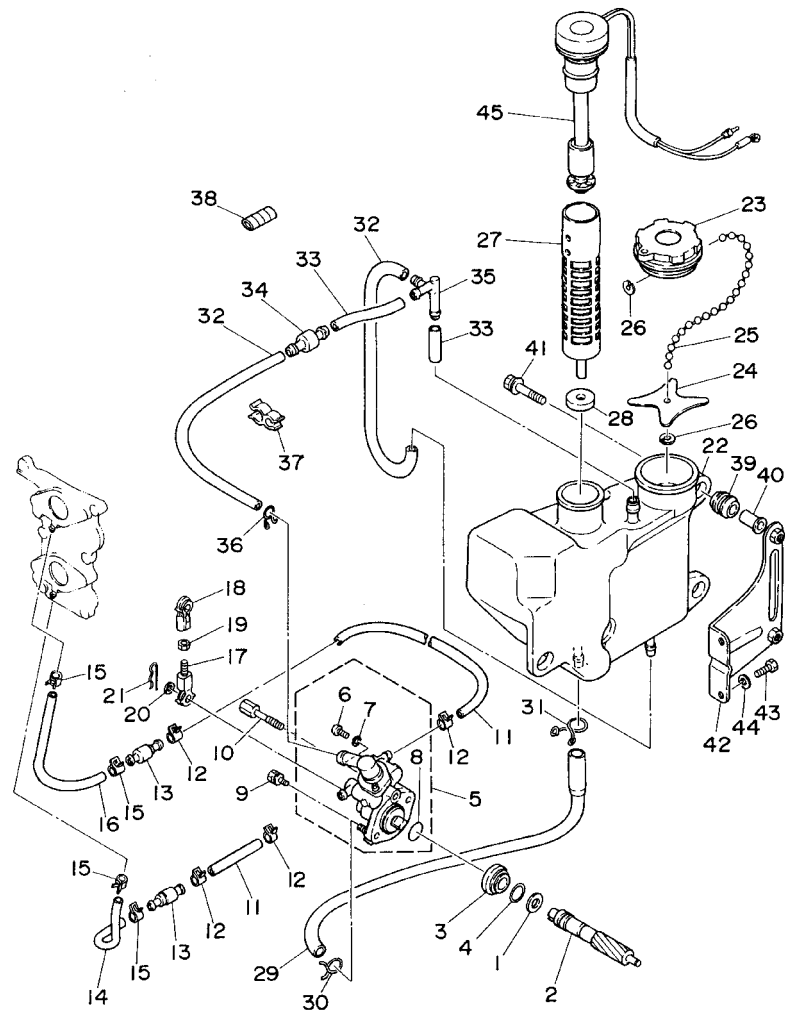


6L20300-4060

REF. NO.	PART NO. NO. PIECES	DESCRIPTION DESCRIPTION	20MO	25MO	20WO	25WO	REMARKS REMARQUES
1	90201-08M93	WASHER, PLATE RONDELLE, PLATE	1	1	1	1	
2	6L2-11537-00	GEAR, DRIVEN PIGNON SECONDAIRE	1	1	1	1	
3	6J8-13117-00	COLLAR, DISTANCE ENTRETOISE	1	1	1	1	
4	93210-13M04	O-RING JOINT TORIQUE	1	1	1	1	
5	6L2-13200-00	OIL INJECTION PUMP ASSY POMPE A HUILE COMPLET	1	1	1	1	
6	6L2-13471-00	.PLUG, DRAIN .PLOT, VIDANGE	1	1	1	1	
7	6L2-13475-00	.GASKET .JOINT	1	1	1	1	
8	93210-19M82	.O-RING .JOINT TORIQUE	1	1	1	1	
9	97513-05518	BOLT, WITH WASHER VIS HEXAGONAL AVEC RONDELLE	1	1	1	1	
10	90109-05M33	BOLT BOULON	1	1	1	1	
11	90445-07M32	HOSE (L120) DURITE (L120)	2	2	2	2	
12	90468-07M02	CLIP JONC	4	4	4	4	
13	6E9-13183-70	VALVE, CHECK CLAPET ANTI RETOUR	2	2	2	2	
14	90445-07M04	HOSE (L50) DURITE (L50)	1	1	1	1	
15	90468-07M02	CLIP JONC	4	4	4	4	
16	90445-07M16	HOSE (L85) DURITE (L85)	1	1	1	1	
17	682-41237-50	JOINT, LINK RACCORD	1	1	1	1	
18	6H1-41237-00	JOINT, LINK RACCORD	1	1	1	1	
19	95380-05700	NUT ECROU	1	1	1	1	
20	90202-05088	WASHER, PLATE RONDELLE, PLATE	1	1	1	1	
21	90468-05M03	CLIP JONC	1	1	1	1	
22	6L2-21707-01	OIL TANK COMP. RESERVOIR A PETROLE COMP.	1	1	1	1	
23	6H4-21770-00	OIL TANK CAP ASSY CABOCHON DE RESERVOIR A HUILE	1	1	1	1	
24	6L2-21758-00	WASHER, SPECIAL 2 RONDELLE, SPECIALE 2	1	1	1	1	
25	6H1-24633-00	CHAIN, BALL CHANE DE BALLE	1	1	1	1	
26	6H1-21757-00	WASHER, SPECIAL 1 RONDELLE, SPECIALE 1	2	2	2	2	
27	6J8-13411-00	STRAINER, OIL FILTRE, HUILE	1	1	1	1	

FIG. 6 OIL PUMP

POMPE A HUILE



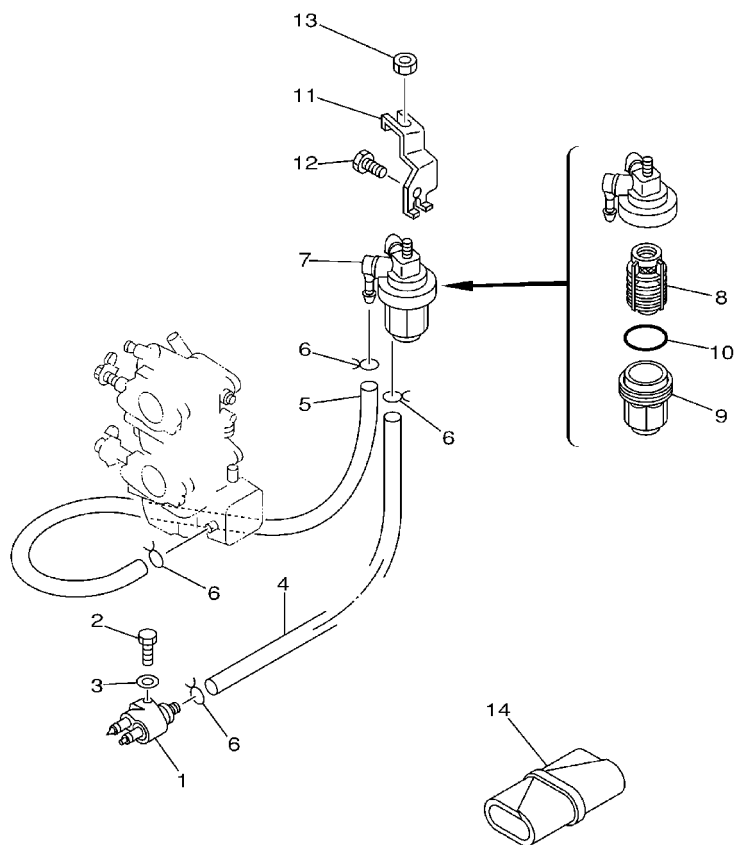
REF. NO.	PART NO. NO. PIECES	DESCRIPTION DESCRIPTION	20MO	25MO	20WO	25WO	REMARKS REMARQUES
28	6J8-13414-00	GASKET, STRAINER COVER JOINT, COUVERCLE DE FILTRE	1	1	1	1	
29	6L2-13416-00	PIPE, OIL 1 DURITE A HUILE	1	1	1	1	
30	90467-08004	CLIP JONC	1	1	1	1	
31	90467-11M08	CLIP JONC	1	1	1	1	
32	90445-11M03	HOSE (L330) DURITE (L330)	2	2	2	2	
33	90445-11M07	HOSE (L30) DURITE (L30)	2	2	2	2	
34	6J8-21744-00	BREATHER RENIFLARD	1	1	1	1	
35	6E5-24376-10	PIPE, JOINT 1 DURITE 1, RACCORDEMENT	1	1	1	1	
36	90467-10M04	CLIP JONC	1	1	1	1	
37	90464-11M24	CLAMP BRIDE	1	1	1	1	
38	90446-10M02	HOSE DURITE	1	1	1	1	
39	6A0-82317-00	DAMPER, IGNITION COIL AMORTISSEUR, BOBINE D'ALLUM	3	3	3	3	
40	624-42542-00	PIPE TUYAU	3	3	3	3	
41	90119-06M65	BOLT, WITH WASHER BOULON, AVEC RONDELLE	3	3	3	3	
42	6L2-21798-00	BRACKET, DAMPER SUPPORT, AMORTISSEUR	1	1	1	1	
43	97095-06016	BOLT BOULON	2	2	2	2	
44	92995-06600	WASHER RONDELLE	2	2	2	2	
45	6L2-85720-01	OIL LEVEL GAUGE ASSY JAUGE A HUILE CPLT	1	1	1	1	



6L20300-4060

FIG. 7 FUEL

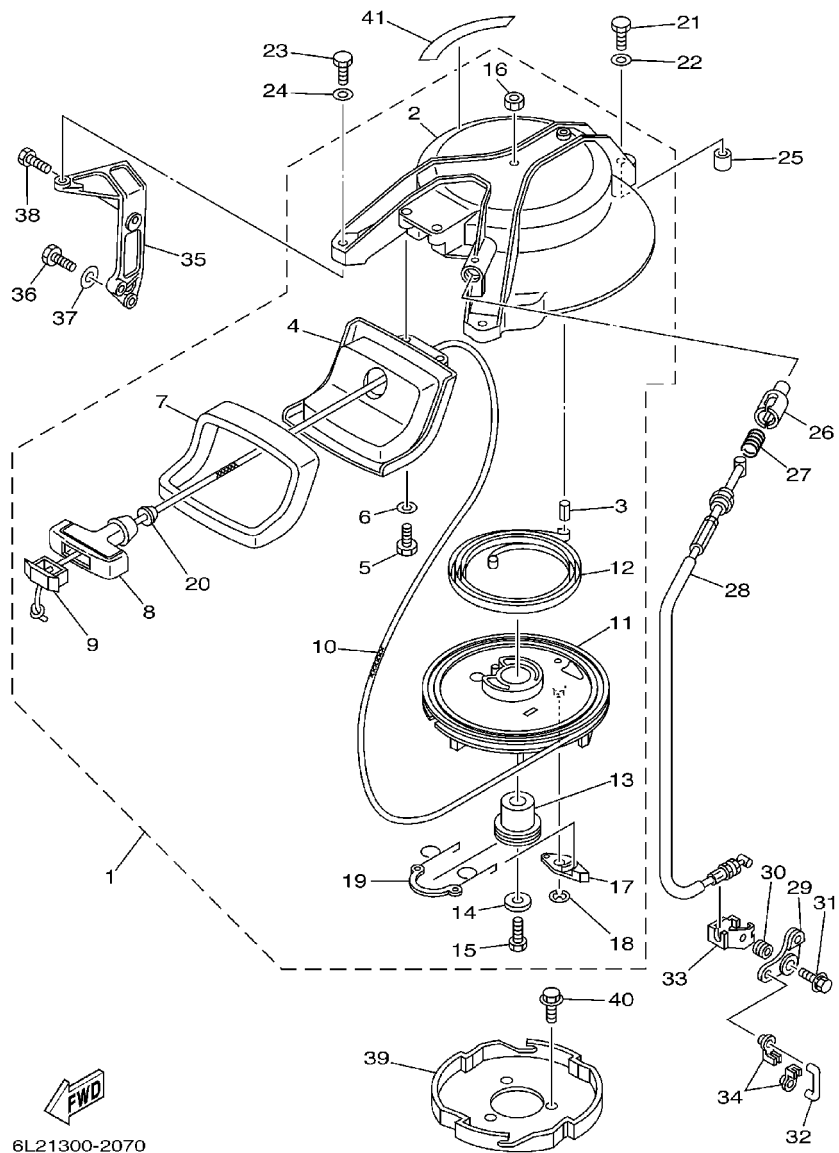
CARBURANT



REF. NO.	PART NO. NO. PIECES	DESCRIPTION DESCRIPTION	20MO	25MO	20WO	25WO	REMARKS REMARQUES
1	6G1-24304-02	FUEL PIPE JOINT COMP. 1 DURITE RACCORDEMT. A ESSENCE	1	1	1	1	
2	97095-06020	BOLT BOULON	1	1	1	1	
3	92995-06600	WASHER RONDELLE	1	1	1	1	
4	6H4-24311-00	PIPE, FUEL 1 DURITE A ESSENCE	1	1	1	1	
5	6L2-24311-00	PIPE, FUEL 1 DURITE A ESSENCE	1	1	1	1	
6	90467-08004	CLIP JONC	4	4	4	4	
7	61N-24560-00	FILTER ASSY ENS FILTRE	1	1	1	1	
8	61N-24563-00	.ELEMENT, FILTER .ELEMENT, FILTRE	1	1	1	1	
9	61N-24521-00	.CUP, FILTER .CUVETTE, FILTRE	1	1	1	1	
10	93210-32738	.O-RING JOINT TORIQUE	1	1	1	1	
11	6L2-24566-00	BRACKET, FILTER SUPPORT, FILTRE	1	1	1	1	
12	97013-06014	BOLT BOULON	1	1	1	1	
13	95380-08600	NUT ECROU	1	1	1	1	
14	656-W2810-02	TOOL KIT TROUSSE A OUTILS	1	1	1	1	



6L20010-0060



**FWD**  
6L21300-2070

**FIG. 8 STARTER**

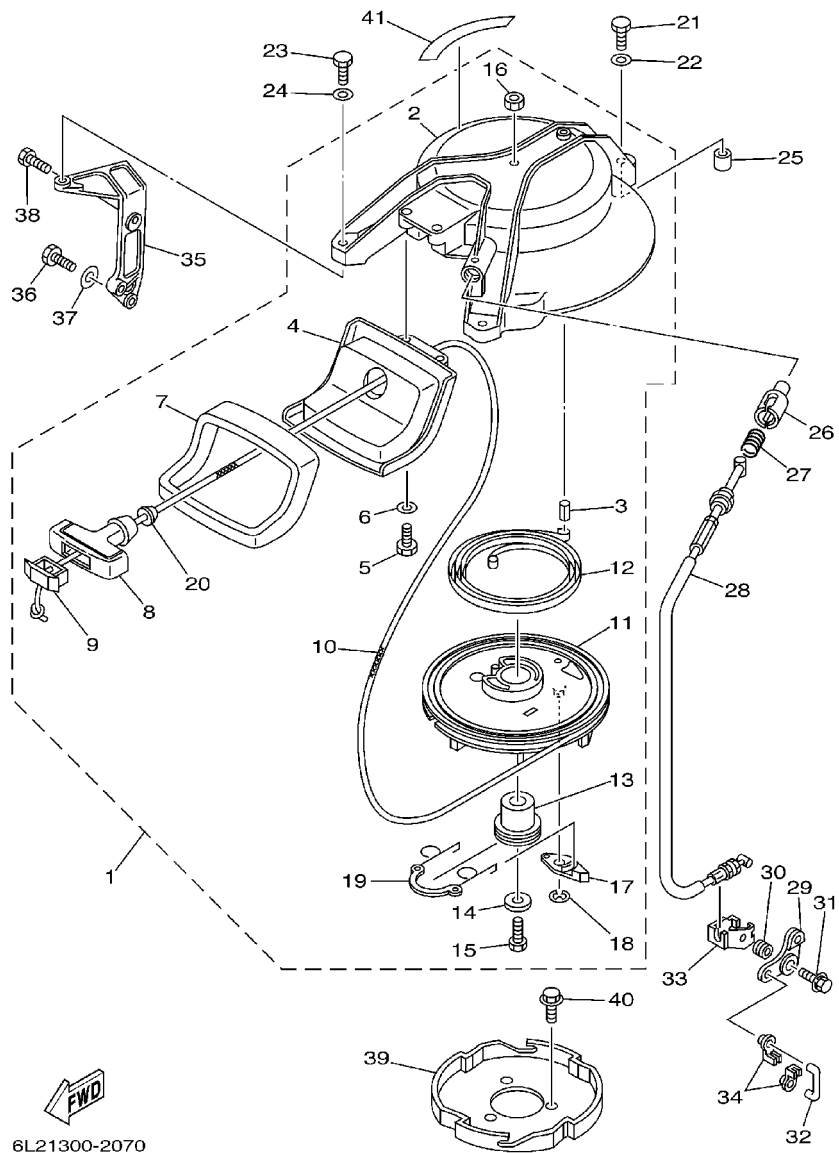
**DEMARREUR**

REF. NO.	PART NO. NO. PIECES	DESCRIPTION DESCRIPTION	20MO	25MO	20WO	25WO	REMARKS REMARQUES
1	6L2-15710-02	STARTER ASSY DEMARREUR COMPLET	1	1	1	1	
2	6L2-15711-00-94	.CASE, STARTER .CARTER DE DEMARREUR	1	1	1	1	
3	91690-40014	.PIN, SPRING .GOUPILLE, ELASTIQUE	1	1	1	1	
4	6L2-15758-01-94	.GUIDE, ROPE .GUIDE DE CABLE	1	1	1	1	
5	97095-06016	.BOLT .BOULON	2	2	2	2	
6	92995-06600	.WASHER .RONDELLE	2	2	2	2	
7	6L2-15762-00	.SEAL, RUBBER 2 .JOINT CAOUTCHOUC 2	1	1	1	1	
8	689-15755-01	.HANDLE, STARTER .POIGNEE, DE DEMARREUR	1	1	1	1	
9	6F5-15779-02	.COVER .COUVERCLE	1	1	1	1	
10	*	.WIRE (L:1,950MM) .FIL (L:1,950MM)	1	1	1	1	
11	6J8-15714-00	.DRUM, SHEAVE .TAMBOUR, POULIE	1	1	1	1	
12	90510-08M04	.SPRING, SPIRAL .RESSORT, HELICOIDAL	1	1	1	1	
13	677-15717-01	.SHAFT, STARTER .AXE DE DEMARREUR	1	1	1	1	
14	90201-06060	.WASHER, PLATE .RONDELLE, PLATE	1	1	1	1	
15	97013-06025	BOLT BOULON	1	1	1	1	
16	95303-06700	NUT ECROU	1	1	1	1	
17	676-15741-03	.PAWL, DRIVE .CLIQUET, ENTRAINEMENT	1	1	1	1	
18	93430-06M02	.CIRCLIP .CIRCLIP, TYPE S	1	1	1	1	
19	6J8-15705-00	.SPRING, DRIVE PAWL .RESSORT DE CLIQUET	1	1	1	1	
20	6A0-15789-00	.DAMPER AMORTISSEUR	1	1	1	1	
21	97095-06035	BOLT BOULON	1	1	1	1	
22	92995-06600	WASHER RONDELLE	1	1	1	1	
23	97095-06025	BOLT BOULON	2	2	2	2	
24	92995-06600	WASHER RONDELLE	2	2	2	2	
25	99530-10014	PIN, DOWEL GOUJON, D'ASSEMBLAGE	1	1	1	1	

\* CUT FROM 50M ROLLS, PART NO. 90890-44373,  
CUTTING LENGTH 1.95M

\* A PRELEVER SUR BOBINE 50M , REFERENCE 90890-44373,  
LONGUEUR DE COUPE 1.95M





6L21300-2070

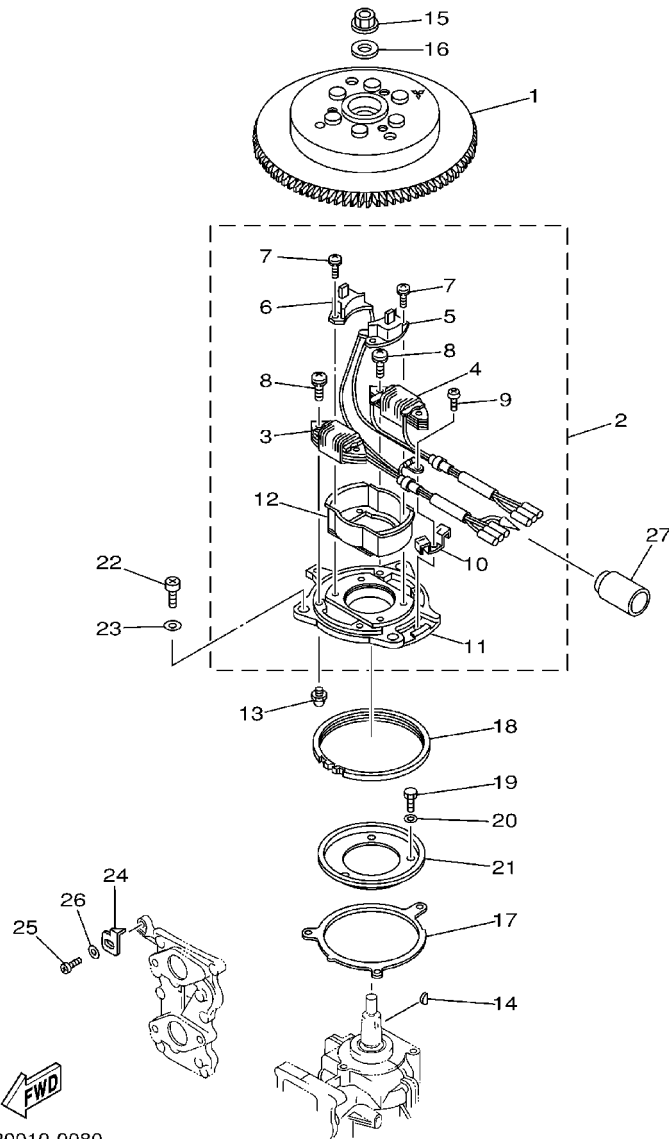
FIG. 8 STARTER

DEMARREUR

REF. NO.	PART NO. NO. PIECES	DESCRIPTION DESCRIPTION	20MO	25MO	20WO	25WO	REMARKS REMARQUES
26	656-15748-00	PLUNGER, STARTER STOP PLONGEUR, BOUTE DE DEMAR	1	1	1	1	
27	90501-10227	SPRING, COMPRESSION RESSORT, COMPRESSION	1	1	1	1	
28	6L2-15770-00	CABLE COMP., STARTER STOP CABLE, BUTÉE DE DEMAR	1	1	1	1	
29	6L2-15746-00	ARM BRAS	1	1	1	1	
30	90387-06M51	COLLAR COLLERETTE	1	1	1	1	
31	90119-06M53	BOLT, WITH WASHER BOULON, AVEC RONDELLE	1	1	1	1	
32	6L2-15747-00	LINK BIELLETTTE	1	1	1	1	
33	6L2-15774-00	STAY 4 SUPPORT 4	1	1	1	1	
34	661-41262-02	JOINT, CHOKE LEVER RACCORD, LEVIER DE STARTER	2	2	2	2	
35	6L2-15772-00-94	STAY 2 SUPPORT 2	1	1	1	1	
36	97013-06020	BOLT BOULON	1	1	1	1	
37	92903-06600	WASHER, PLATE RONDELLE, PLATE	1	1	1	1	
38	97095-06020	BOLT BOULON	1	1	1	1	
39	6L2-15723-01	PULLEY, STARTER POULIE DE DEMARREUR	1	1	1	1	
40	90105-08M10	BOLT, FLANGE BOULON	3	3	3	3	
41	6L2-13437-21	MARK, CAUTION MARK, CAUTION	1	1	1	1	

FIG. 9 GENERATOR

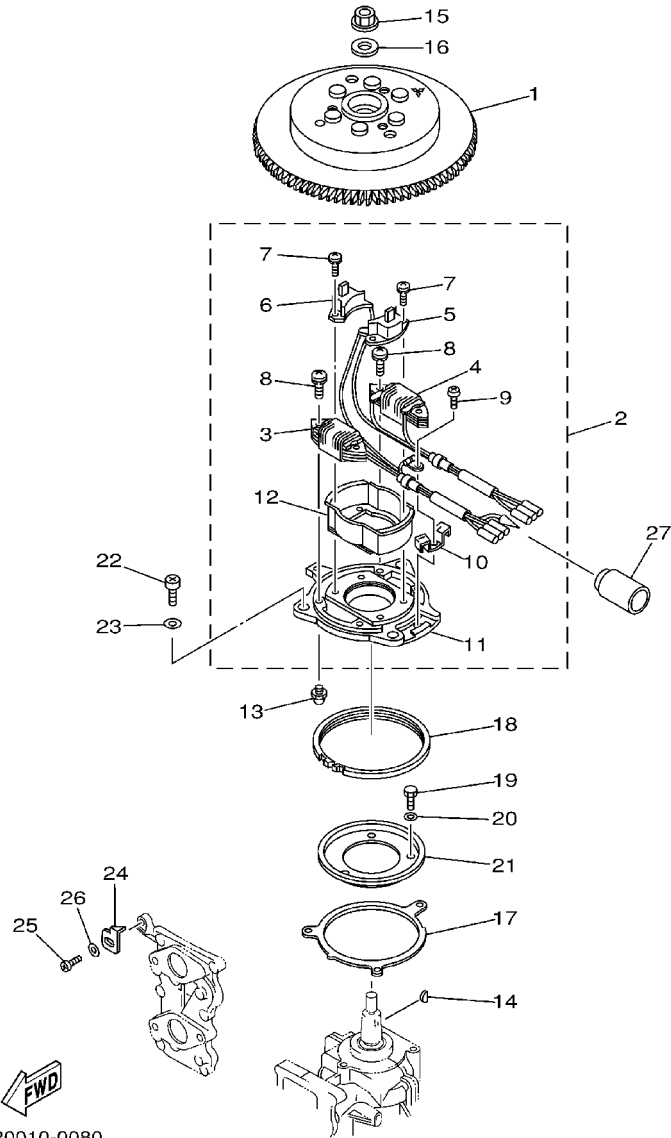
GENERATRICE



REF. NO.	PART NO. NO. PIECES	DESCRIPTION DESCRIPTION	20MO	25MO	20WO	25WO	REMARKS REMARQUES
1	6L2-85550-10	ROTOR ASSY			1	1	
	6L2-85550-00	ROTOR CPLT	1	1			
2	6L2-85560-10	BASE ASSY	1	1	1	1	
3	6L2-85520-10	ENS. FLASQUE	1	1	1	1	
4	6L2-85533-10	.COIL, CHARGE	1	1	1	1	
		.BOBINE, CHARGE					
5	6L2-85580-10	.COIL, LIGHTING	1	1	1	1	
		.BOBINE, ECLAIRAGE					
6	6L2-85580-20	.COIL, PULSER	1	1	1	1	
		.BOBINE, PULSEUR					
7	97607-04112	.SCREW, PAN HEAD WITH WASHER	4	4	4	4	
		.VIS HEXAGONAL					
8	97607-06125	.SCREW, PAN HEAD WITH WASHER	4	4	4	4	
		.VIS HEXAGONAL					
9	97802-04006	.SCREW, PAN HEAD	1	1	1	1	
		.VIS, TETE TRONCONIQUE					
10	6E9-81328-70	.CLAMP	1	1	1	1	
		.COLLIER					
11	6L2-85561-10	.BASE, MAGNETO	1	1	1	1	
		.BASE, MAGNETO					
12	61N-85537-00	.COVER	1	1	1	1	
		.COUVERCLE					
13	663-85518-00	JOINT, BALL	1	1	1	1	
		JOINT SPHERIQUE					
14	90280-05013	KEY, WOODRUFF	1	1	1	1	
		CLAVETTE, DEMI-LUNE					
15	90179-12M04	NUT	1	1	1	1	
		ECROU					
16	90201-13M42	WASHER, PLATE	1	1	1	1	
		RONDELLE, PLATE					
17	6G1-41611-00	RETAINER, MAGNETO BASE	1	1	1	1	
		FLASQUE, PATEAU D'AVANCE					
18	695-41613-00	PLATE, BASE FRICTION	1	1	1	1	
		PLAQUE, FRICTION DE BASE					
19	97095-06012	BOLT	3	3	3	3	
		BOULON					
20	92995-06600	WASHER	3	3	3	3	
		RONDELLE					
21	6G1-41612-00	RETAINER, MAGNETO BASE	1	1	1	1	
		FLASQUE, PATEAU D'AVANCE					
22	97885-05010	SCREW, PAN HEAD	3	3	3	3	
		VIS, TETE TRONCONIQUE					
23	92995-05600	WASHER	3	3	3	3	
		RONDELLE					
24	6L2-81332-00	PLATE, TIMING	1	1	1	1	
		PATEAU, ALLUMAGE					
25	97885-05010	SCREW, PAN HEAD	1	1	1	1	
		VIS, TETE TRONCONIQUE					
26	92995-05600	WASHER	1	1	1	1	
		RONDELLE					

FIG. 9 GENERATOR

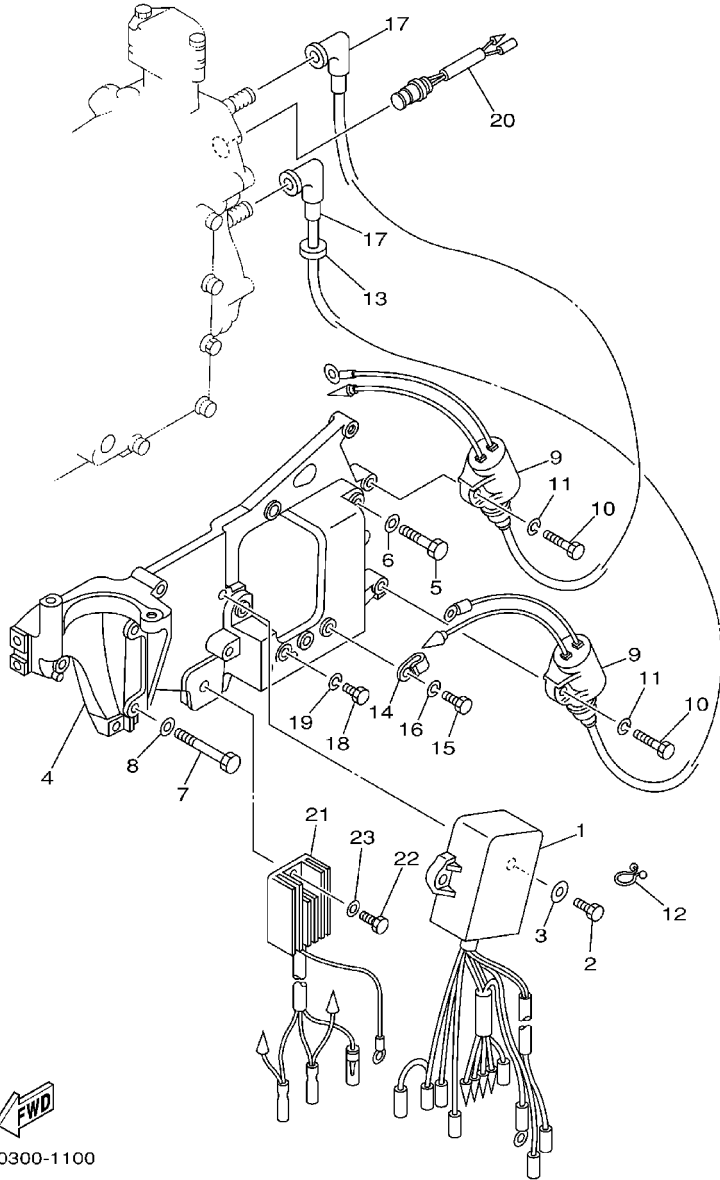
GENERATRICE



REF. NO.	PART NO. NO. PIECES	DESCRIPTION DESCRIPTION	20MO	25MO	20WO	25WO	REMARKS REMARQUES
27	6L2-82599-01	COVER, CONNECTER COUVERCLE, CONNECTEUR	1	1	1	1	

FIG. 10 ELECTRICAL 1

PARTIE ELECTRIQUE 1

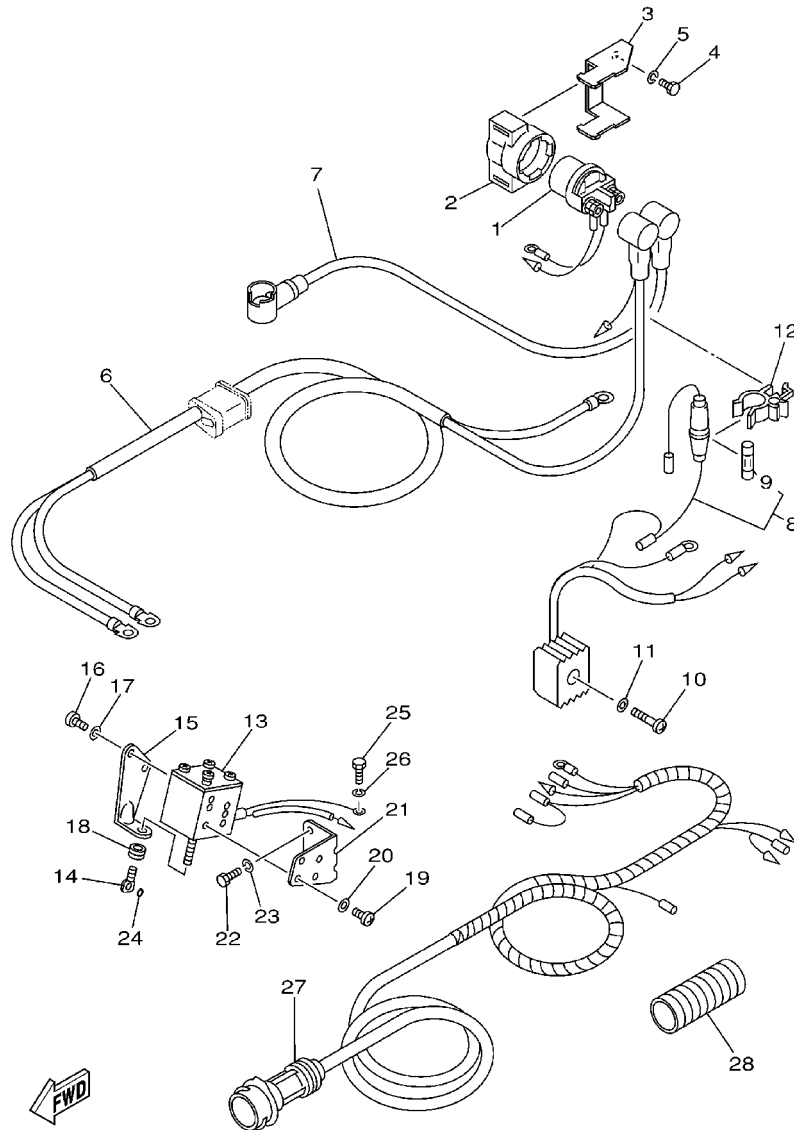


FWD  
6L20300-1100

REF. NO.	PART NO. NO. PIECES	DESCRIPTION DESCRIPTION	20MO	25MO	20WO	25WO	REMARKS REMARQUES
1	6L2-85540-22	C.D.I. UNIT ASSY BLOC C.D.I.	1	1	1	1	
2	97095-06020	BOLT BOULON	2	2	2	2	
3	92995-06600	WASHER RONDELLE	2	2	2	2	
4	6L2-85542-02-94	BRACKET SUPPORT	1	1	1	1	
5	97075-06030	BOLT BOULON	3	3	3	3	
6	92995-06600	WASHER RONDELLE	3	3	3	3	
7	90101-06M16	BOLT BOULON	2	2	2	2	
8	92903-06600	WASHER, PLATE RONDELLE, PLATE	2	2	2	2	
9	61N-85570-00	IGNITION COIL ASSY BOBINE D'ALLUMAGE (ENS.)	2	2	2	2	
10	97095-06020	BOLT BOULON	2	2	2	2	
11	92995-06100	WASHER, SPRING RONDELLE, GROWER	2	2	2	2	
12	90464-08M07	CLAMP BRIDE	1	1	1	1	
13	90480-25161	GROMMET PASSE-FIL	1	1	1	1	
14	90465-06M86	CLAMP BRIDE	1	1	1	1	
15	97095-06012	BOLT BOULON	1	1	1	1	
16	92995-06100	WASHER, SPRING RONDELLE, GROWER	1	1	1	1	
17	6G1-82370-21	PLUG CAP ASSY ANTIPARASITE	2	2	2	2	
18	97095-06012	BOLT BOULON	2	2	2	2	
19	92995-06100	WASHER, SPRING RONDELLE, GROWER	2	2	2	2	
20	689-82560-00	THERMO SWITCH ASSY THERMO-CONTACT COMPLET	1	1	1	1	
21	6J8-81960-00	RECTIFIER & REGULATOR ASSY REDRESSEUR REGULATEUR CPLT	1	1			
22	97095-06016	BOLT BOULON	1	1			
23	92995-06600	WASHER RONDELLE	1	1			

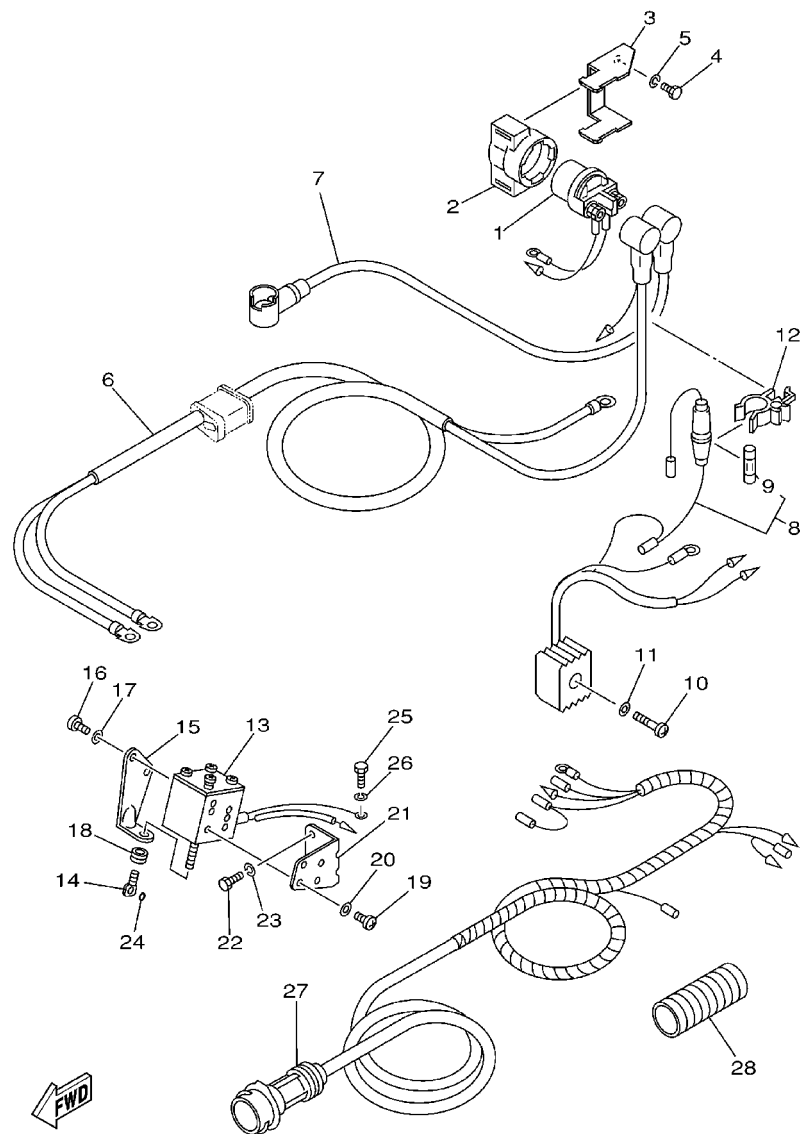
FIG. 11 ELECTRICAL 2

PARTIE ELECTRIQUE 2



6L21100-2110

REF. NO.	PART NO. NO. PIECES	DESCRIPTION DESCRIPTION	20MO	25MO	20WO	25WO	REMARKS REMARQUES
1	6G1-81941-10	STARTER RELAY ASSY LANCEUR RELAIS (ENS.)			1	1	
2	6G1-81952-00	HOLDER, RELAY SUPPORT, RELAIS			1	1	
3	6L2-81945-00	PLATE, SWITCH FITTING PLAQUE, FIXATION DU RELAIS			1	1	
4	97095-06012	BOLT BOULON			1	1	
5	92995-06100	WASHER, SPRING RONDELLE, GROWER			1	1	
6	6G1-82105-01	WIRE HARNESS FAISCEAU DE FILS			1	1	
7	6G1-82117-00	WIRE, LEAD FIL			1	1	
8	6G1-81970-61	RECTIFIER ASSY REDRESSEUR COMPLET			1	1	
9	6G1-82151-00	.FUSE .FUSIBLE			1	1	
10	97880-05025	SCREW, PAN HEAD VIS, TETE TRONCONIQUE			1	1	
11	92990-05600	WASHER, PLATE RONDELLE, PLATE			1	1	
12	6G5-82152-00	HOLDER, FUSE SUPPORT, FUSIBLE			1	1	
13	6L2-86111-00	COIL, SOLENOID BOBINE			1	1	
14	682-86117-00	HOOK, WIRE PULL CROCHET, TENSION DE CABLE			1	1	
15	6L2-86115-00	HOLDER, SOLENOID SUPPORT, SOLENOIDE			1	1	
16	97880-05008	SCREW, PAN HEAD VIS, TETE TRONCONIQUE			2	2	
17	92990-05600	WASHER, PLATE RONDELLE, PLATE			2	2	
18	90480-10155	GROMMET PASSE-FIL			1	1	
19	97880-04008	SCREW, PAN HEAD VIS, TETE TRONCONIQUE			4	4	
20	92990-04600	WASHER, PLATE RONDELLE, PLATE			4	4	
21	6L2-86112-00	STAY, SOLENOID SUPPORT, SOLENOIDE			1	1	
22	97095-06012	BOLT BOULON			2	2	
23	92995-06100	WASHER, SPRING RONDELLE, GROWER			2	2	
24	93210-03261	O-RING JOINT TORIQUE			1	1	
25	97095-06012	BOLT BOULON			1	1	
26	92995-06100	WASHER, SPRING RONDELLE, GROWER			1	1	
27	6L2-82590-00	WIRE HARNESS ASSY FAISCEAU DE FILS COMPLET			1	1	



**FWD**  
6L21100-2110

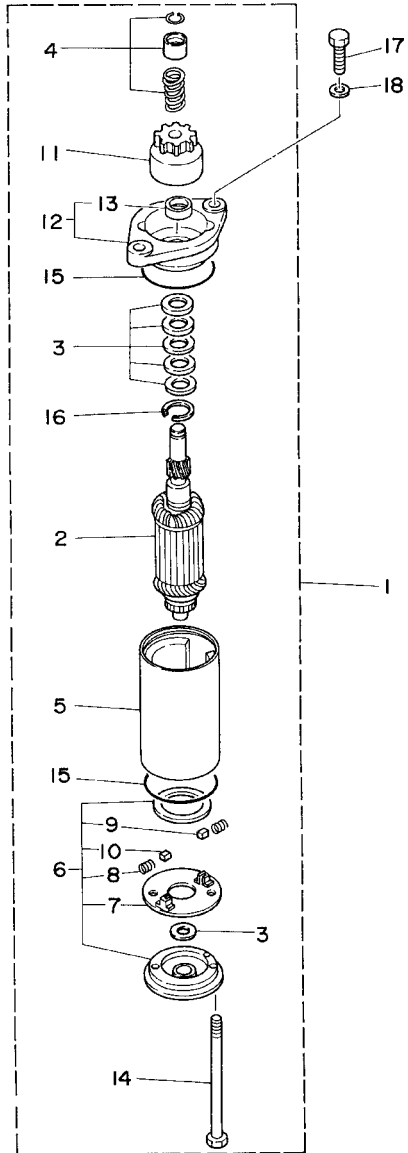
**FIG. 11 ELECTRICAL 2**

**PARTIE ELECTRIQUE 2**

REF. NO.	PART NO. NO. PIECES	DESCRIPTION DESCRIPTION	20MO	25MO	20WO	25WO	REMARKS REMARQUES
28	6K3-83557-00	TUBE TUBE			1	1	

FIG. 12 STARTING MOTOR

DEMARREUR ELECTRIQUE



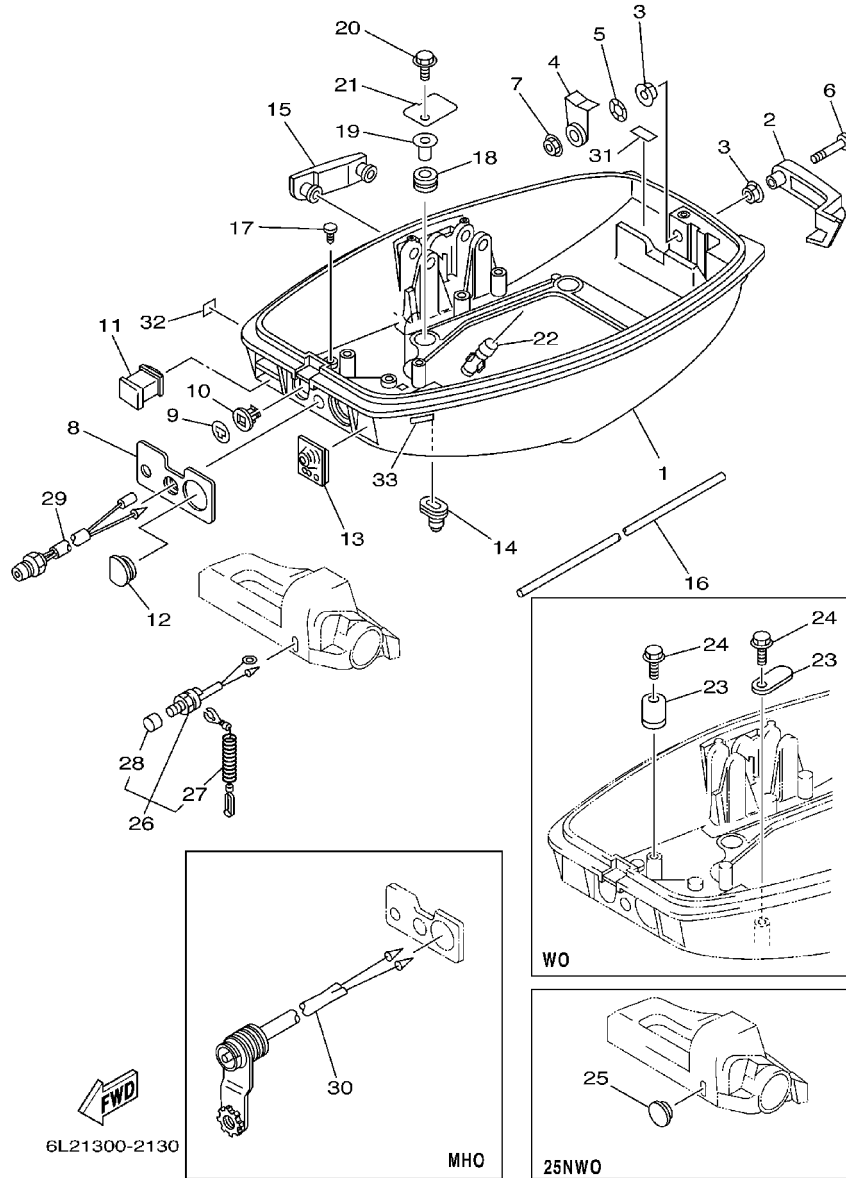
REF. NO.	PART NO. NO. PIECES	DESCRIPTION DESCRIPTION	20MO	25MO	20WO	25WO	REMARKS REMARQUES
1	6L2-81800-20	STARTING MOTOR ASSY DEMARREUR ELECTRIQUE COMPLET			1	1	
2	6L2-81850-20	.ARMATURE ASSY .INDUIT			1	1	
3	682-81809-10	.WASHER KIT .JEU DE RONDELLES			1	1	
4	6L2-81833-10	.RING, STOP .BAGUE, BUTEE			1	1	
5	682-81810-11	.STATOR ASSY .STATOR COMPLET			1	1	
6	6L2-81820-20	.REAR BRACKET ASSY .SUPPORT ARRIERE COMPLET			1	1	
7	6L2-81840-20	..BRUSH HOLDER ASSY ..SUPPORT DE CHARBON			1	1	
8	682-81813-10	...SPRING, BRUSH ...RESSORT, DE CHARBON			2	2	
9	6L2-81811-20	...BRUSH 1 ...CHARBON 1			1	1	
10	6L2-81812-20	...BRUSH 2 ...CHARBON 2			1	1	
11	682-81832-20	.CLUTCH, OVER RUN .EMBAYAGE, ROUE LIBRE			1	1	
12	682-81830-11	.FRONT BRACKET ASSY .SUPPORT AVANT			1	1	
13	682-81831-00	..METAL, FRONT ..METAL, AVANT			1	1	
14	682-81826-10	.BOLT .BOULON			2	2	
15	682-81847-10	.O-RING .JOINT TORIQUE			2	2	
16	682-81834-10	.RING .BAGUE			1	1	
17	97013-08025	BOLT BOULON			2	2	
18	92903-08600	WASHER, PLATE RONDELLE, PLATE			2	2	



6L20010-4120

FIG. 13 BOTTOM COWLING

CAPOT INFERIEUR

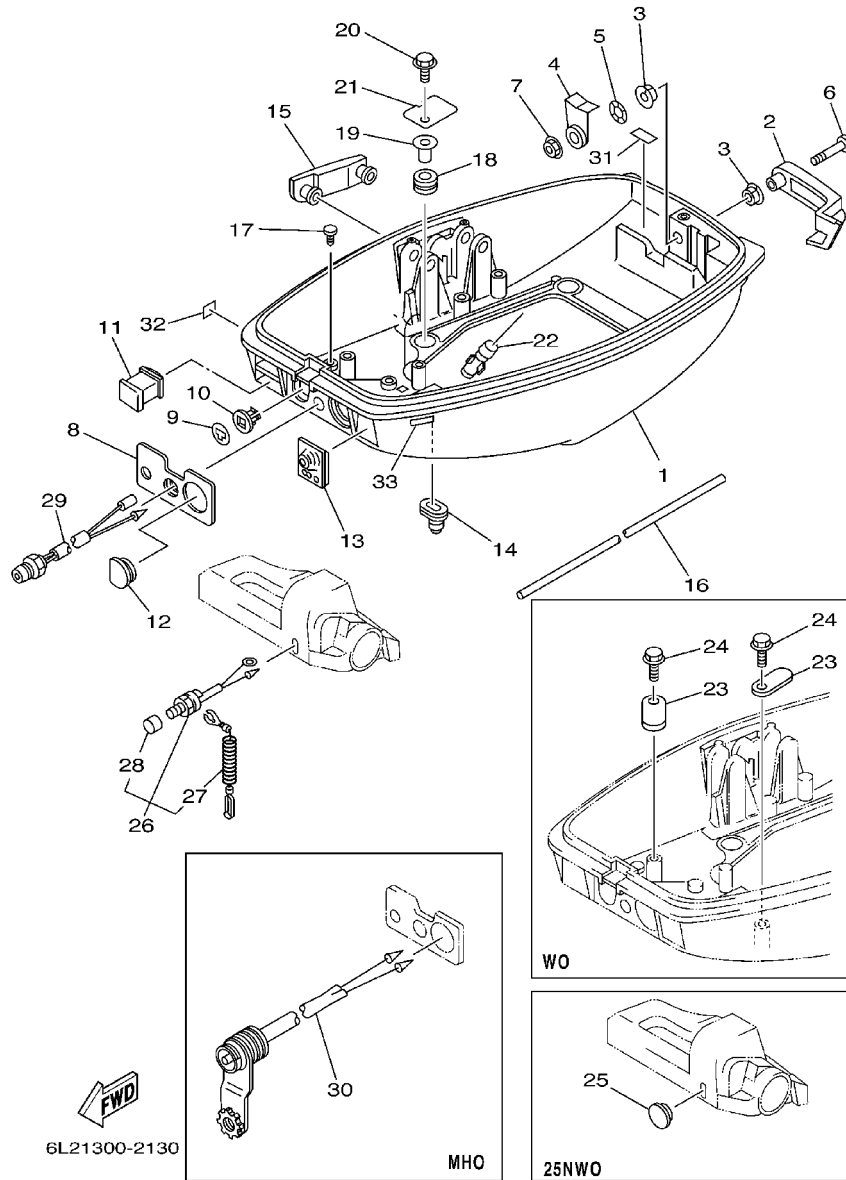


REF. NO.	PART NO. NO. PIECES	DESCRIPTION DESCRIPTION	20MO	25MO	20WO	25WO	REMARKS REMARQUES
1	6L2-42711-03-4D	COWLING, BOTTOM CUVETTE	1	1	1	1	
2	6L2-42815-01-4D	LEVER, CLAMP LEVIER, PRESSE	1	1	1	1	
3	90386-12M45	BUSH DOUILLE	2	2	2	2	
4	6L2-42816-00	LEVER, CLAMP LEVIER, PRESSE	1	1	1	1	
5	90206-12052	WASHER, WAVE RONDELLE, ONDULEE	1	1	1	1	
6	97880-06035	SCREW, PAN HEAD VIS, TETE TRONCONIQUE	1	1	1	1	
7	95780-06300	NUT, FLANGE ECROU, A COLLERETTE	1	1	1	1	
8	6L2-42719-A0	PANEL, FRONT LOWER PANNEAU, AVANT INFERIEUR	1	1	1	1	
9	689-41273-00	GROMMET PASSE-FIL	1	1	1	1	
10	6J8-41274-00	GROMMET 2 PASSE-FIL 2	1	1	1	1	
11	6L2-42725-00	GROMMET PASSE-FIL	1	1			
	6L2-42725-50	GROMMET PASSE-FIL			1	1	
12	6G1-42724-00	GROMMET PASSE-FIL			1	1	
13	6L2-42726-01	GROMMET PASSE-FIL	1	1			
	6L2-42726-10	GROMMET PASSE-FIL			1	1	
14	6G1-42727-00	GROMMET PASSE-FIL	1	1	1	1	
15	6L2-42748-01	GROMMET PASSE-FIL	1	1			
16	6L2-42716-00	RUBBER, SEAL 1 JOINT EN CAOUTCHOUC 1	1	1	1	1	
17	90338-05M03	PLUG PLOT	2	2			
18	90480-15M31	GROMMET PASSE-FIL	4	4	4	4	
19	90387-06M52	COLLAR COLLERETTE	4	4	4	4	
20	95895-06020	BOLT, FLANGE BOULON, A COLLERETTE	4	4	4	4	
21	6L2-42738-01	PLATE, FITTING ETRIER	2	2	2	2	
22	6H3-44391-01	NIPPLE, HOSE RACCORD D'ESSENCE	1	1	1	1	
23	6E5-82588-00	PLATE PLAQUE			2	2	
24	95895-06016	BOLT, FLANGE BOULON, A COLLERETTE			2	2	
25	6G1-42725-00	GROMMET PASSE-FIL				1	

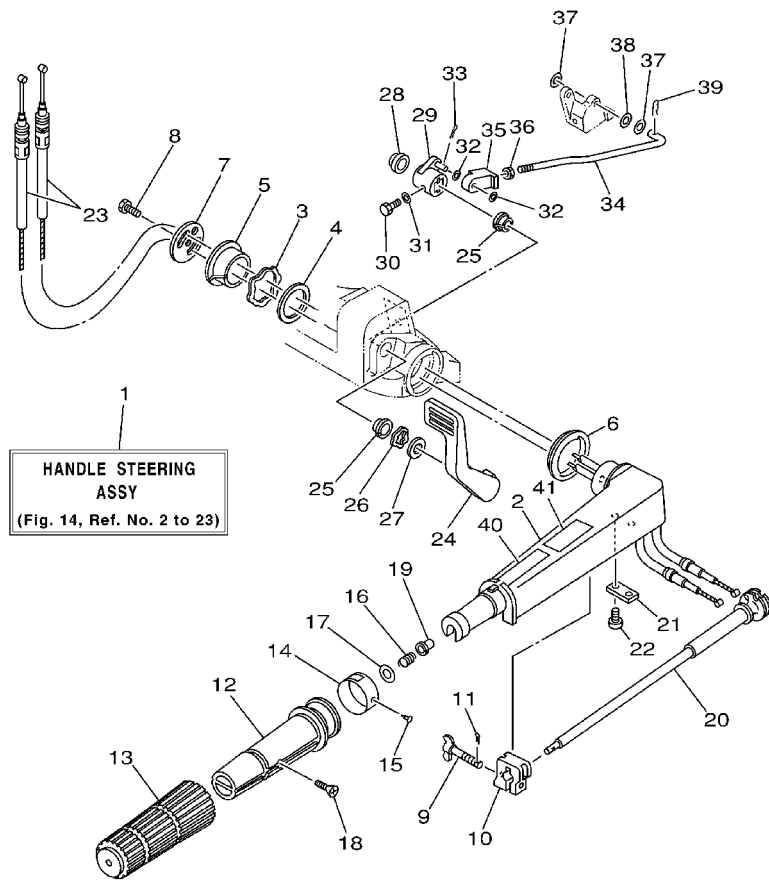


**FIG. 13 BOTTOM COWLING**

**CAPOT INFERIEUR**



REF. NO.	PART NO. NO. PIECES	DESCRIPTION DESCRIPTION	20MO	25MO	20WO	25WO	REMARKS REMARQUES
26	6L2-82575-00	ENGINE STOP SWITCH ASSY COUPE CIRCUIT CPLT	1	1			
27	682-82556-00	.STOPPER .PLAQUETTE	1	1			
28	689-8257Y-00	.CAP .CHAPEAU	1	1			
29	6J8-85410-00	EMERGENCY SIGNAL LIGHT ASSY FEU DE DETRESSE	1	1	1	1	
30	682-84381-00	2P CONCENT RALLONGE 2 FILS	1	1			
31	6E7-42791-10	MARK 1 ETIQUETTE 1	1	1	1	1	
32	6A1-28176-00	LABEL, CAUTION ETIQUETTE, RECOMMANDATION	1	1	1	1	
33	6E3-8257H-00	PLATE, MARK PLAQUE, ADHESIF	1	1	1	1	

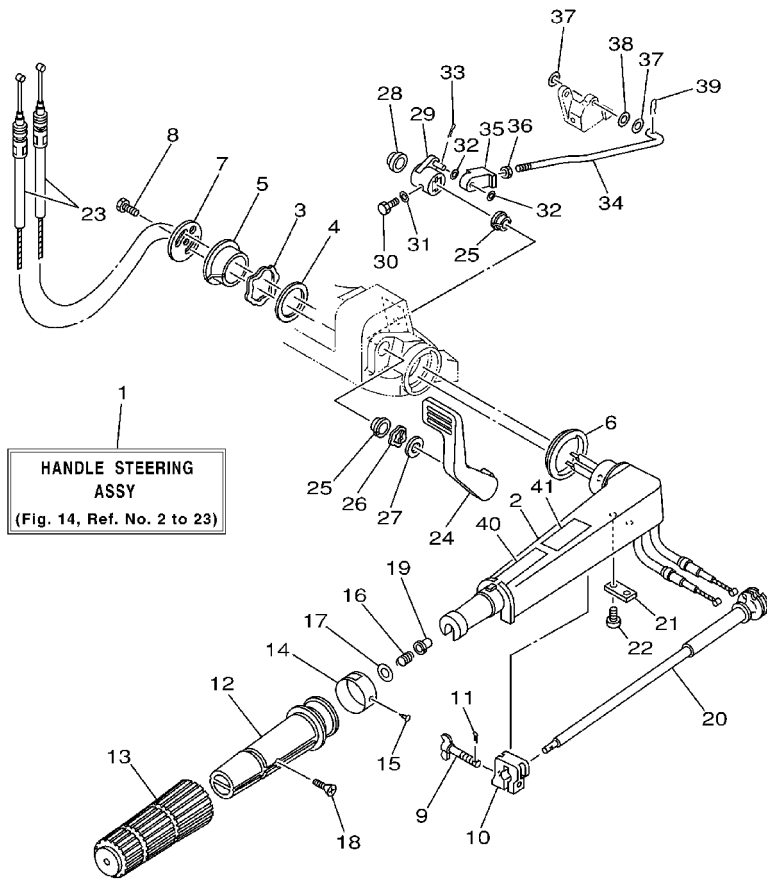


6L21100-2140

FIG. 14 STEERING

DIRECTION

REF. NO.	PART NO. NO. PIECES	DESCRIPTION DESCRIPTION	20MO	25MO	20WO	25WO	REMARKS REMARQUES
1	6L2-W0084-00-4D	HANDLE STEERING ASSY BARRE FRANCHE (ENS.)	1	1			
2	6G1-42111-11-4D	HANDLE, STEERING POIGNEE	1	1			
3	90206-36M21	WASHER, WAVE RONDELLE, ONDULEE	1	1			
4	90202-36M55	WASHER, PLATE RONDELLE, PLATE	1	1			
5	90386-33M96	BUSH DOUILLE	1	1			
6	90386-34M97	BUSH DOUILLE	1	1			
7	6G1-42131-01	COVER, HANDLE STEERING COUVERCLE	1	1			
8	97095-06020	BOLT BOULON	1	1			
9	6G1-42125-01	BOLT, FRICTION ADJUSTING BOULON	1	1			
10	6G1-42126-00	FRICTION, STEERING HANDLE GRIP CUVETTE, POIGNEE DE DIRECTION	1	1			
11	91490-16010	PIN, COTTER GOUPILLE, FENDUE	1	1			
12	664-42119-00	GRIP, STEERING HANDLE POIGNEE, BARRE FRANCHE	1	1			
13	6F6-42177-A0	RUBBER, HANDLE CAOUTCHOUC, POIGNEE	1	1			
14	6L2-42137-00	INDICATOR, THROTTLE INDICATEUR, ACCELERATION	1	1			
15	90269-02M09	RIVET RIVET	1	1			
16	90501-23215	SPRING, COMPRESSION RESSORT, COMPRESSION	1	1			
17	92903-10600	WASHER, PLATE RONDELLE, PLATE	1	1			
18	90149-05M13	SCREW VIS	1	1			
19	90386-08032	BUSH DOUILLE	1	1			
20	6G1-42138-01	LEVER, THROTTLE LEVIER, ACCELERATEUR	1	1			
21	6E0-42159-02	STAY SUPPORT	1	1			
22	97885-05012	SCREW, PAN HEAD VIS, TETE TRONCONIQUE	2	2			
23	6L2-26301-00	THROTTLE CABLE ASSY CABLE D'ACCELERATEUR	2	2			
24	6L2-44111-01-94	HANDLE, GEAR SHIFT POIGNEE, LEVIER D'EMBRAYAGE	1	1			
25	90386-15M73	BUSH DOUILLE	2	2			
26	90206-15M18	WASHER, WAVE RONDELLE, ONDULEE	1	1			
27	90202-15M37	WASHER, PLATE RONDELLE, PLATE	1	1			

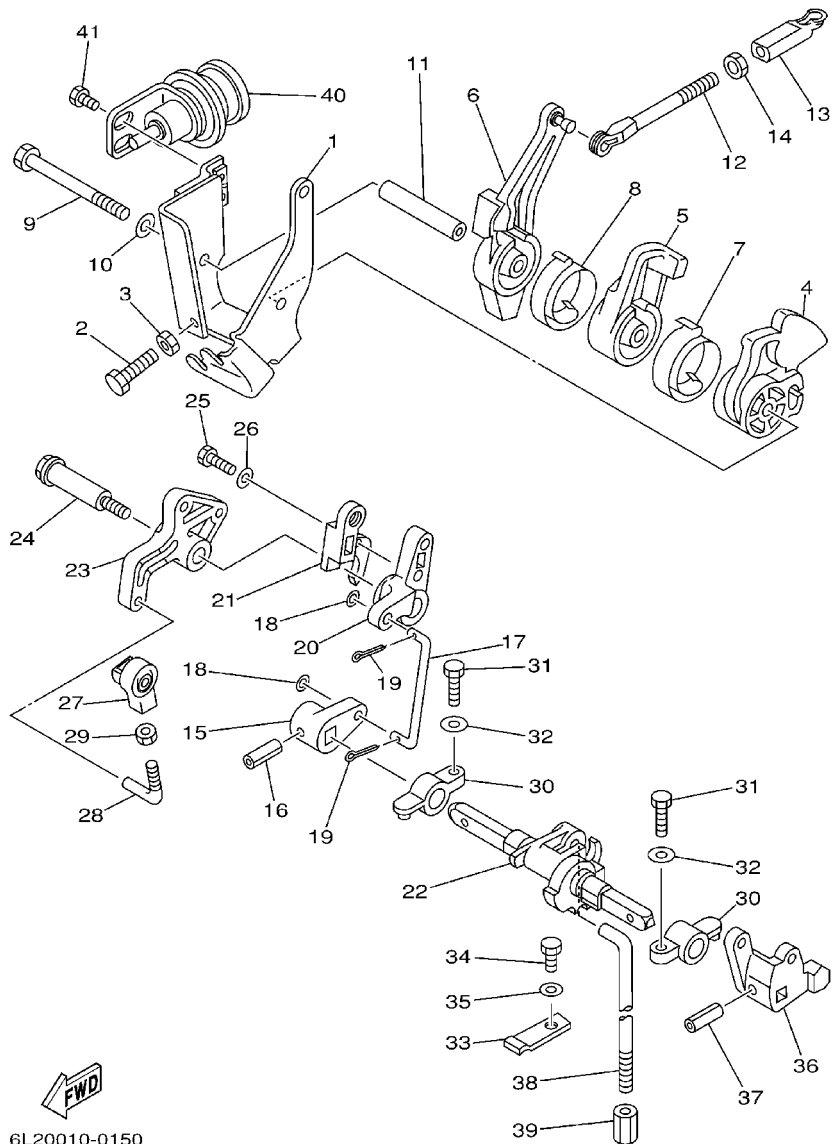


**FWD**  
6L21100-2140

**FIG. 14 STEERING**

**DIRECTION**

REF. NO.	PART NO. NO. PIECES	DESCRIPTION DESCRIPTION	DIRECTION				REMARKS REMARQUES
			20MO	25MO	20WO	25WO	
28	90386-12M72	BUSH DOUILLE	1	1			
29	6L2-44125-00-94	LEVER, SHIFT ROD LEVIER, TIGE D'INVERSION	1	1			
30	97095-06020	BOLT BOULON	1	1			
31	92995-06600	WASHER RONDELLE	1	1			
32	90202-06009	WASHER, PLATE RONDELLE, PLATE	2	2			
33	91490-20010	PIN, COTTER GOUPILLE, FENDUE	1	1			
34	6L2-44124-00	LINK, SHIFT ROD BIELLETTTE	1	1			
35	6L2-26363-00	END, CABLE EMBOUT DE CABLE	1	1			
36	95380-06700	NUT ECROU	1	1			
37	90202-05088	WASHER, PLATE RONDELLE, PLATE	2	2			
38	90202-05M38	WASHER, PLATE RONDELLE, PLATE	1	1			
39	90468-05M03	CLIP JONC	1	1			
40	6E0-83627-41	LABEL, CAUTION 7 ETIQUETTE, RECOMMANDATION 7	1	1			
41	6E0-83627-51	LABEL, CAUTION 7 ETIQUETTE, RECOMMANDATION 7	1	1			



6L20010-0150

FIG. 15 CONTROL 1

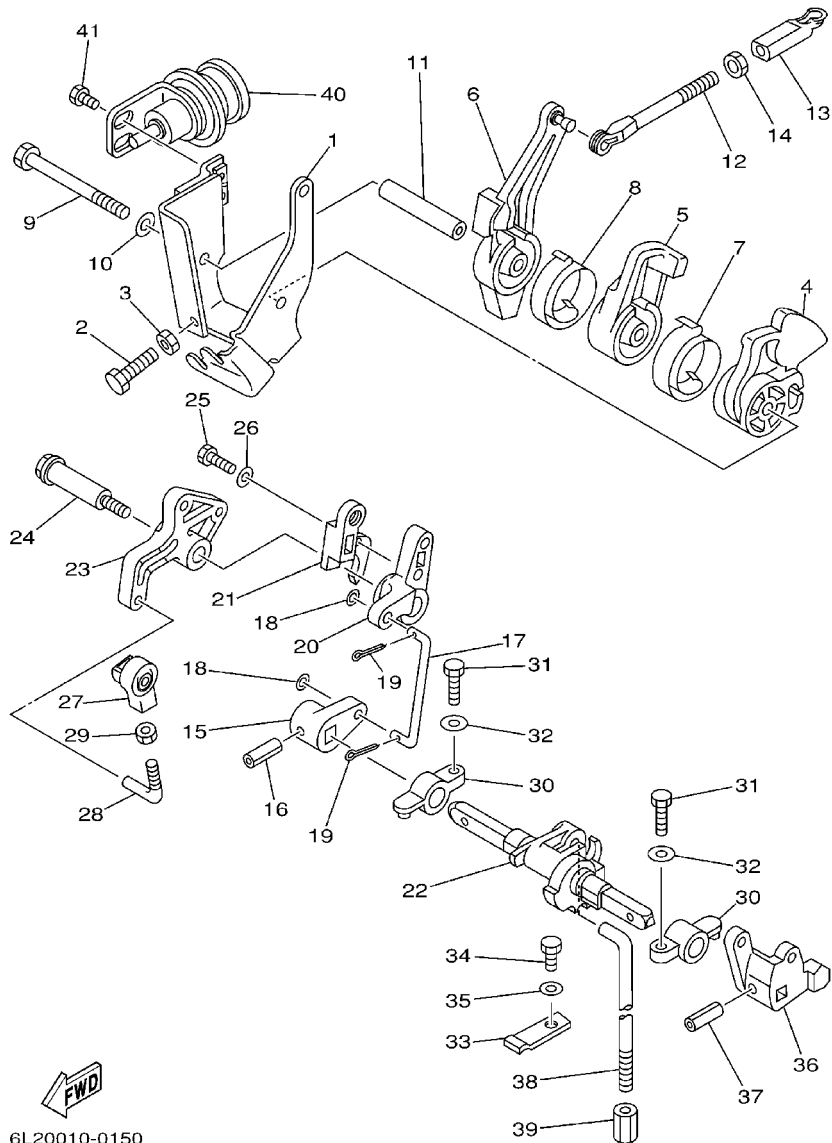
COMMANDE 1

REF. NO.	PART NO. NO. PIECES	DESCRIPTION DESCRIPTION	20MO	25MO	20WO	25WO	REMARKS REMARQUES
1	6L2-14497-00	STAY, THROTTLE WIRE SUPPORT DE BOISSEAU	1	1	1	1	
2	97095-06020	BOLT BOULON	1	1	1	1	
3	95380-06700	NUT ECROU	1	1	1	1	
4	6L2-41213-00	CAM, ACCEL. CAME, ACCELERATION	1	1	1	1	
5	6L2-41283-00	LEVER, FREE ACCEL. LEVIER	1	1	1	1	
6	6L2-41631-00	LEVER, MAGNETO CONTROL LEVIER, COMMANDE D'AVANCE	1	1	1	1	
7	6J8-42167-00	SPRING 1 RESSORT1	1	1	1	1	
8	6L2-42167-00	SPRING 1 RESSORT1	1	1	1	1	
9	97095-06075	BOLT BOULON	1	1	1	1	
10	92995-06600	WASHER RONDELLE	1	1	1	1	
11	90387-06M18	COLLAR COLLERETTE	1	1	1	1	
12	689-42169-01	JOINT AXE	1	1	1	1	
13	662-41237-01	JOINT, LINK RACCORD	1	1	1	1	
14	95380-05600	NUT ECROU	1	1	1	1	
15	6L2-44122-00	BUSHING, SHIFT ROD LEVER DOUILLE, LEVIER D'EMBRAYAGE	1	1	1	1	
16	90254-03M04	PIN, SPRING RIVET, TETE TRONCONIQUE	1	1	1	1	
17	6L2-42192-00	ROD 2 TRINGLE 2	1	1	1	1	
18	90202-05088	WASHER, PLATE RONDELLE, PLATE	2	2	2	2	
19	91490-20010	PIN, COTTER GOUPILLE, FENDUE	2	2	2	2	
20	6L2-44141-01	LINK, SHIFT ROD BIELLETTE	1	1	1	1	
21	6L2-44141-10-94	LINK, SHIFT ROD BIELLETTE	1	1	1	1	
22	6L2-44121-00	LEVER, SHIFT ROD LEVIER, TIGE D'INVERSION	1	1	1	1	
23	6L2-41212-00	ARM, ACCEL. BRAS	1	1	1	1	
24	90109-06M28	BOLT BOULON	1	1	1	1	
25	97013-05016	BOLT BOULON	1	1	1	1	
26	92903-05600	WASHER, PLATE RONDELLE, PLATE	1	1	1	1	
27	6L2-41237-00	JOINT, LINK RACCORD	1	1	1	1	

D7

FIG. 15 CONTROL 1

COMMANDE 1

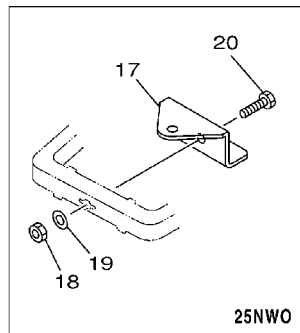
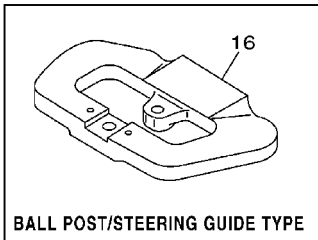
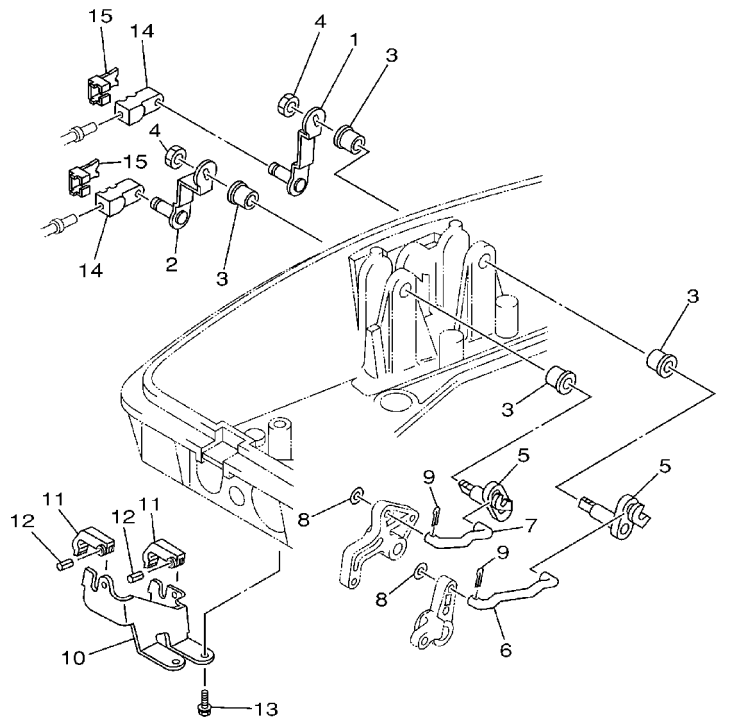


6L20010-0150

REF. NO.	PART NO. NO. PIECES	DESCRIPTION DESCRIPTION	20MO	25MO	20WO	25WO	REMARKS REMARQUES
28	6L2-41238-00	JOINT, LINK RACCORD	1	1	1	1	
29	95380-05700	NUT ECROU	1	1	1	1	
30	6G1-41662-01-94	BRACKET SUPPORT	2	2	2	2	
31	97013-06020	BOLT BOULON	2	2	2	2	
32	92903-06600	WASHER, PLATE RONDELLE, PLATE	2	2	2	2	
33	6J8-44116-00	SPRING RESSORT	1	1	1	1	
34	97095-06012	BOLT BOULON	1	1	1	1	
35	92995-06600	WASHER RONDELLE	1	1	1	1	
36	6L2-44123-00	ARM, SHIFT ROD BRAS, TIGE D'INVERSION	1	1	1	1	
37	90254-03M04	PIN, SPRING RIVET, TETE TRONCONIQUE	1	1	1	1	
38	6L2-44143-00	ROD, SHIFT TIGE D'EMBRAYAGE	1	1	1	1	
39	90170-06015	NUT ECROU	1	1	1	1	
40	6L2-14368-00	DIAPHRAGM ASSY 1 DIAPHRAGME 1	1	1	1	1	
41	97095-06008	BOLT BOULON	2	2	2	2	

FIG. 16 CONTROL 2

COMMANDE 2

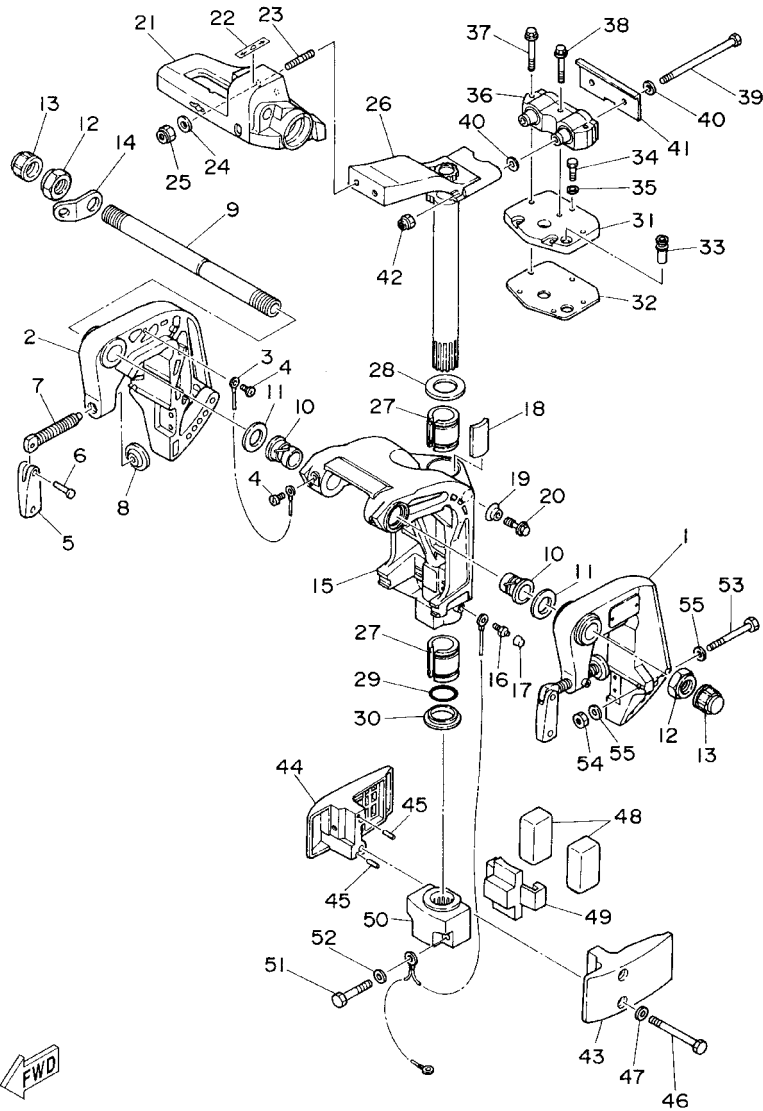


REF. NO.	PART NO. NO. PIECES	DESCRIPTION DESCRIPTION	20MO	25MO	20WO	25WO	REMARKS REMARQUES
1	6L2-48544-01	LEVER, SHIFTCONTROL POIGNEE, INVERSION			1	1	
2	6L2-48534-01	THROTTLE LEVER, CONTROL LEVIER D'ACCELERATION			1	1	
3	90386-10009	BUSH DOUILLE			4	4	
4	95780-08300	NUT, FLANGE ECROU, A COLLERETTE			2	2	
5	6L2-42154-01	LEVER, THROTTLE CONTROL LEVIER DE COMMANDE D'AVANCE			2	2	
6	6L2-42191-01	ROD 1 TRINGLE 2			1	1	
7	6L2-42192-20	ROD 2 TRINGLE 2			1	1	
8	90202-05088	WASHER, PLATE RONDELLE, PLATE			2	2	
9	91490-20010	PIN, COTTER GOUPILLE, FENDUE			2	2	
10	6L2-48531-00	BRACKET, REMOTE CONTROL 1 ETRIER 1, COMMANDE A DISTANCE			1	1	
11	682-48538-50	CLAMP, CABLE 1 COLLIER			2	2	
12	91690-30012	PIN, SPRING GOUPILLE, ELASTIQUE			2	2	
13	90105-06M23	BOLT FLANGE BOULON			2	2	
14	6G8-26363-00	END, WIRE 1 EMBOU DE CABLE			2	2	
15	6G8-26364-00	END, CABLE EMBOU, DE CABLE			2	2	
16	6J8-48511-01-4D	HOOK, STEERING ATTACHE, DIRECTION			1		BALL POST/STEERING GUIDE TYPE
17	6L2-48511-00	HOOK, STEERING ATTACHE, DIRECTION				1	
18	90185-10051	NUT, SELF-LOCKING ECROU, AUTO-BLOCANT				1	
19	92990-10600	WASHER, PLATE RONDELLE, PLATE				1	
20	97075-10040	BOLT BOULON				1	

FWD  
6L20300-1160

FIG. 17 BRACKET 1

SUPPORT 1

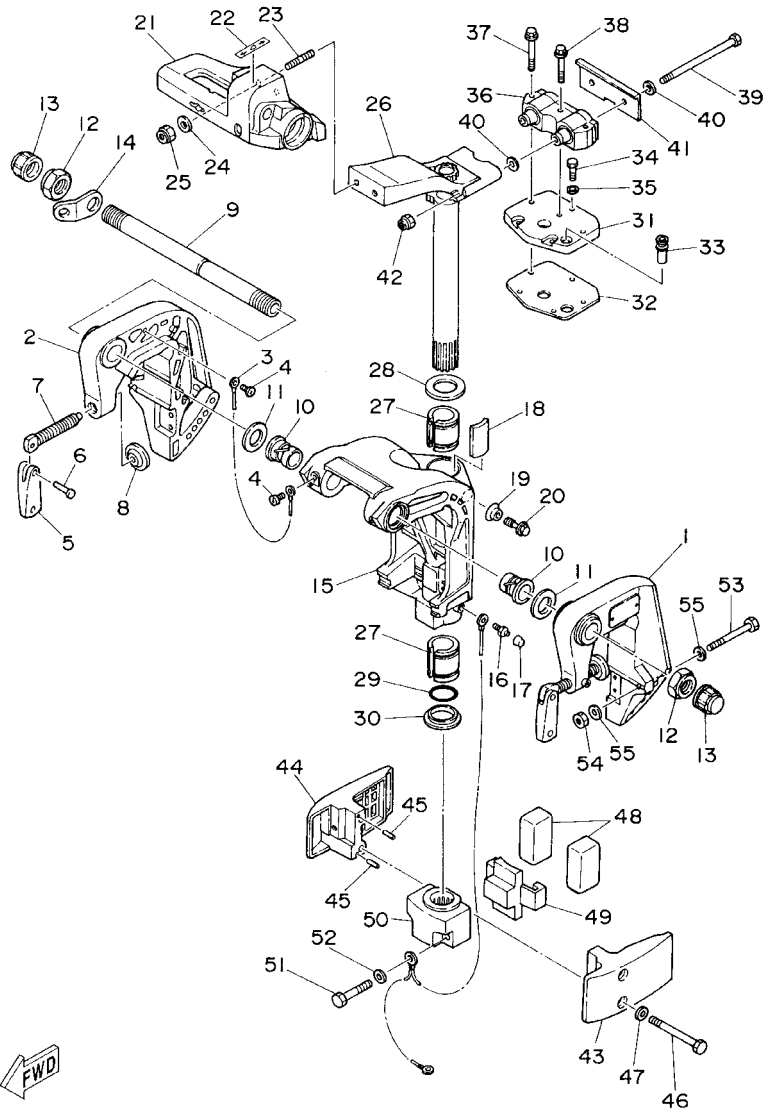


6L20010-4160

REF. NO.	PART NO. NO. PIECES	DESCRIPTION DESCRIPTION	20MO	25MO	20WO	25WO	REMARKS REMARQUES
1	6L2-43111-04-4D	BRACKET, CLAMP PRESSE	1	1	1	1	
2	6L2-43112-05-4D	BRACKET, CLAMP PRESSE	1	1	1	1	
3	6E5-82148-00	WIRE, LEAD 4 FIL 4	1	1	1	1	
4	97885-06008	SCREW, PAN HEAD VIS, TETE TRONCONIQUE	2	2	2	2	
5	6E0-43118-01	HANDLE, TRANSOM CLAMP POIGNEE DE VIS DE PRESSE	2	2	2	2	
6	90243-04M01	PIN GOUPILLE	2	2	2	2	
7	6L2-43116-00	SCREW, TRANSOM CLAMP VIS DE PRESSE	2	2	2	2	
8	648-43114-01	PAD, TRANSOM CLAMP RONDELLE D'APPUI	2	2	2	2	
9	6J8-43131-01	BOLT, CLAMP BRACKET BOULON, PRESSE	1	1	1	1	
10	90386-22M67	BUSH DOUILLE	2	2	2	2	
11	90201-22M03	WASHER, PLATE RONDELLE, PLATE	2	2	2	2	
12	90185-22043	NUT, SELF-LOCKING ECROU, AUTO-BLOCANT	2	2	2	2	
13	6G5-43145-01	CAP, CLAMP BRACKET CAPUCHON, PRESSE	2	2	2	2	
14	6J8-43113-01	PLATE, CLAMP BRACKET PLAQUETTE, PRESSE	1	1	1	1	
15	6L2-43311-05-4D	BRACKET, SWIVEL 1 SUPPORT, PIVOT 1	1	1	1	1	
16	93700-06M03	NIPPLE, GREASE GRAISSEUR	1	1	1	1	AP
17	663-45119-00	CAP, GREASE NIPPLE CAPUCHON, GRAISSEUR	1	1	1	1	
18	6H4-42528-00	PLATE, FRICTION PLAQUE, FRICTION	1	1	1	1	
19	689-43373-01	SEAL, DAMPER JOINT	1	1	1	1	
20	90105-06M18	BOLT, FLANGE BOULON	1	1	1	1	
21	6L2-42121-02-4D	BRACKET SUPPORT	1	1			
22	6E0-44191-11	INDICATOR, SHIFT ETIQUETTE, EMBRAYAGE	1	1			
23	90116-10M28	BOLT, STUD GOUJON	2	2	2	2	
24	92995-10600	WASHER RONDELLE	2	2	2	2	
25	90185-10051	NUT, SELF-LOCKING ECROU, AUTO-BLOCANT	2	2	2	2	
26	6L2-42510-01-4D	STEERING BRACKET ASSY DIRECTION SUPPORT (ENS.)	1	1	1	1	
27	90386-30M75	BUSH DOUILLE	2	2	2	2	

FIG. 17 BRACKET 1

SUPPORT 1



6L20010-4160

REF. NO.	PART NO. NO. PIECES	DESCRIPTION DESCRIPTION	20MO	25MO	20WO	25WO	REMARKS REMARQUES
28	90201-30M00	WASHER, PLATE RONDELLE, PLATE	1	1	1	1	
29	93210-29375	O-RING JOINT TORIQUE	1	1	1	1	
30	90386-30M60	BUSH DOUILLE	1	1	1	1	
31	6L2-44512-00-4D	COVER, UPPER MOUNT COUVERCLE	1	1	1	1	
32	6L2-45114-A1	GASKET, UPPER CASING JOINT, TUBE D'ARBRE	1	1	1	1	
33	6L2-44365-00	DAMPER, WATER SEAL JOINT, TUBE D'EAU	1	1	1	1	
34	97095-06020	BOLT BOULON	3	3	3	3	
35	92995-06600	WASHER RONDELLE	3	3	3	3	
36	6L2-44514-01	MOUNT DAMPER, UPPER SIDE SILENT-BLOC, SUPERIEUR LATERAL	1	1	1	1	
37	90119-06M04	BOLT, WITH WASHER BOULON, AVEC RONDELLE	2	2	2	2	
38	90119-06M05	BOLT, WITH WASHER BOULON, AVEC RONDELLE	1	1	1	1	
39	90101-08M09	BOLT BOULON	2	2	2	2	
40	90201-08M01	WASHER, PLATE RONDELLE, PLATE	4	4	4	4	
41	6L2-44526-00	PLATE PLAQUE	1	1	1	1	
42	90185-08057	NUT, SELF-LOCKING ECROU, AUTO-BLOCANT	2	2	2	2	
43	6L2-44551-01-4D	HOUSING, LOWER MOUNT RUBBER BOITIER, SILENT-BLOC INFERIEUR	1	1	1	1	
44	6L2-44552-01-4D	HOUSING, LOWER MOUNT RUBBER BOITIER, SILENT-BLOC INFERIEUR	1	1	1	1	
45	93604-12M07	PIN, DOWEL GOUJON	2	2	2	2	
46	97095-08085	BOLT BOULON	2	2	2	2	
47	92995-08600	WASHER RONDELLE	2	2	2	2	
48	6L2-44555-00	MOUNT DAMPER, LOWER SIDE SILENT-BLOC, INFERIEUR LATERAL	2	2	2	2	
49	6L2-44557-00	MOUNT DAMPER, LOWER FRONT SILENT-BLOC, INFERIEUR AVANT	1	1	1	1	
50	6L2-44553-01-4D	COVER, LOWER MOUNT COUVERCLE, SUSPENSION INFERIEU	1	1	1	1	
51	97095-08045	BOLT BOULON	2	2	2	2	
52	92995-08600	WASHER RONDELLE	2	2	2	2	
53	97095-08070	BOLT BOULON			2	2	
54	95380-08600	NUT ECROU			4	4	

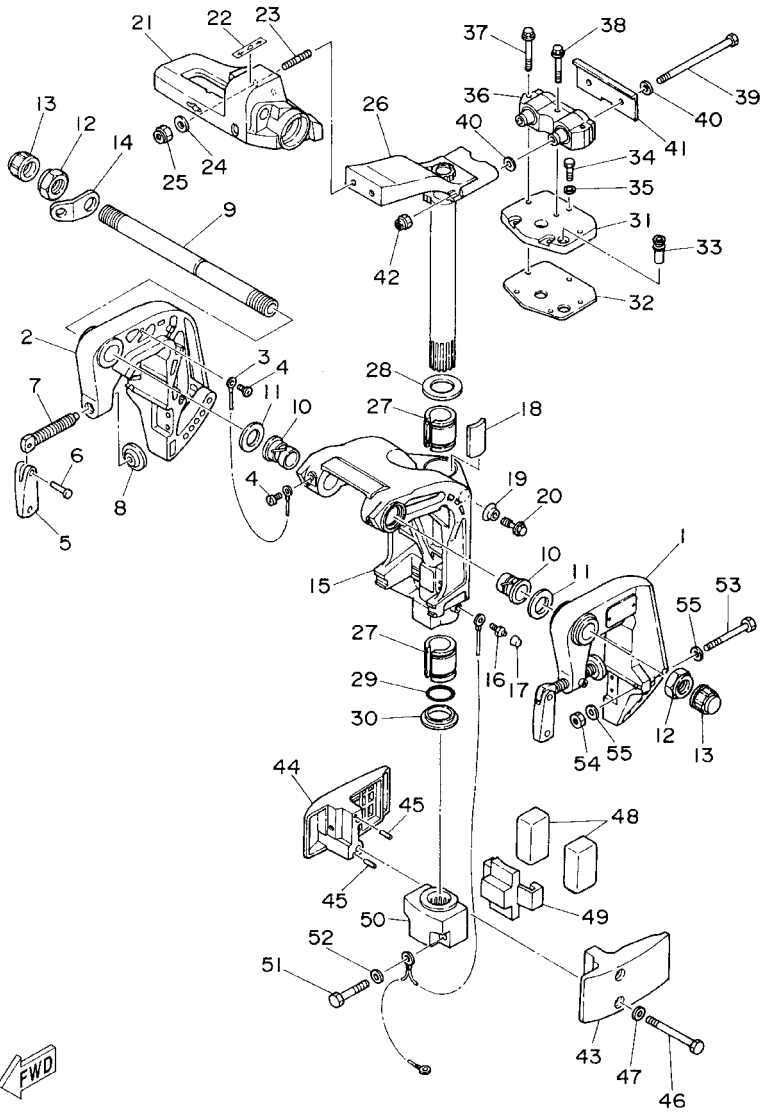


FIG. 17 BRACKET 1

SUPPORT 1

REF. NO.	PART NO. NO. PIECES	DESCRIPTION DESCRIPTION	20MO	25MO	20WO	25WO	REMARKS REMARQUES
----------	---------------------	-------------------------	------	------	------	------	-------------------

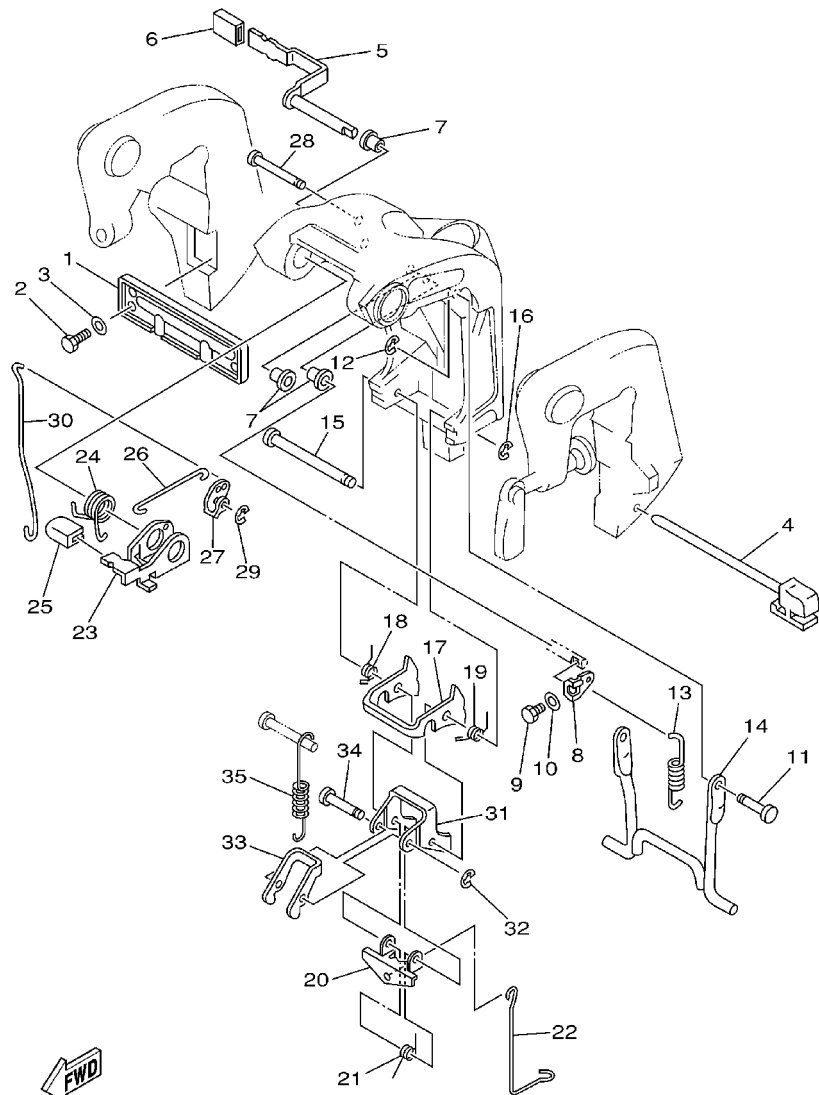
55	92995-08600	WASHER RONDELLE			4	4	
----	-------------	-----------------	--	--	---	---	--



6L20010-4160

FIG. 18 BRACKET 2

SUPPORT 2

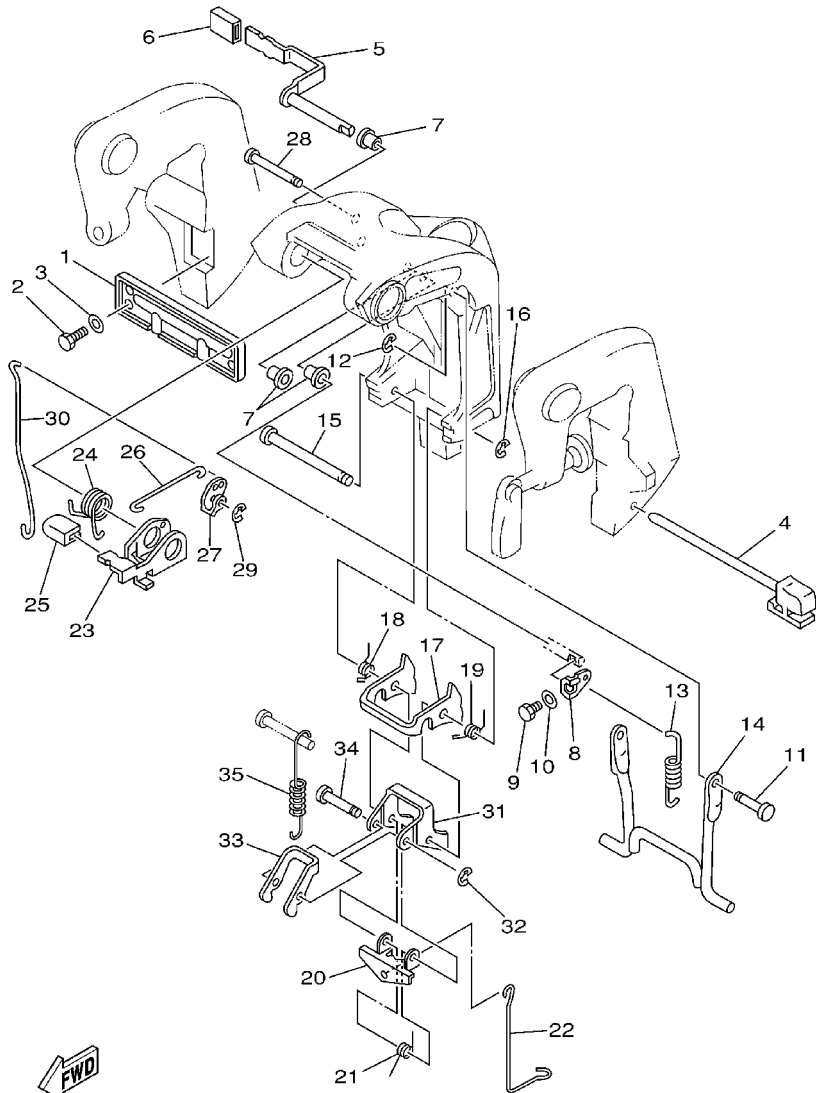


6L20300-1180

REF. NO.	PART NO. NO. PIECES	DESCRIPTION DESCRIPTION	20MO	25MO	20WO	25WO	REMARKS REMARQUES
1	6L2-43165-01	PLATE, TILT LOCK TAQUET, BROCHE INCLINAISON	1	1	1	1	
2	97090-06010	BOLT BOULON	4	4	4	4	
3	92990-06600	WASHER, PLATE RONDELLE, PLATE	4	4	4	4	
4	6L2-43160-00	TILT ROD ASSY BROCHE D'INCLINAISON (ENS.)	1	1	1	1	
5	6L2-43630-01	TILT LEVER ASSY LEVIER D'INCLINAISON	1	1	1	1	
6	682-43318-01	COVER CAPUCHON	1	1	1	1	
7	90386-08032	BUSH DOUILLE	3	3	3	3	
8	6L2-43682-01	LEVER, SHALLOW WATER DRIVE 2 LEVIER, PEU PROFOND D'EAU 2	1	1	1	1	
9	97095-05010	BOLT BOULON	1	1	1	1	
10	92995-05600	WASHER RONDELLE	1	1	1	1	
11	6L2-43191-01	SHAFT, STOPPER AXE, BUTEE	1	1	1	1	
12	99080-05600	CIRCLIP CIRCLIP	1	1	1	1	
13	90506-20M27	SPRING, TENSION RESSORT, TENSION	1	1	1	1	
14	6L2-43350-02	RECEIVER ASSY RECEIVER ASSY	1	1	1	1	
15	6J8-43611-01	SHAFT, TILT LOCK AXE, VERROUILLAGE MARCHE AR	1	1	1	1	
16	99080-05600	CIRCLIP CIRCLIP	1	1	1	1	
17	6L2-43614-00	PLATE, TILT LOCK ETRIER, VERROUILLAGE MARCHE AR	1	1	1	1	
18	90508-12M28	SPRING, TORSION RESSORT, TORSION	1	1	1	1	
19	90508-12M29	SPRING, TORSION RESSORT, TORSION	1	1	1	1	
20	6L2-43615-00	PLATE, TILT LOCK ETRIER, VERROUILLAGE MARCHE AR	1	1	1	1	
21	6L2-43657-00	SPRING, LOCK RESSORT, BLOCAGE	1	1	1	1	
22	6L2-43676-00	HOOK CROCHET	1	1	1	1	
23	6L2-43631-00	LEVER, TILT LEVIER, INCLINAISON	1	1	1	1	
24	6L2-43188-00	SPRING RESSORT	1	1	1	1	
25	6L2-43633-10	COVER, TILT LEVER COUVERCLE	1	1	1	1	
26	6L2-43611-00	SHAFT, TILT LOCK AXE, VERROUILLAGE MARCHE AR	1	1	1	1	
27	6L2-43641-00	LEVER, TILT LEVIER, INCLINAISON	1	1	1	1	

FIG. 18 BRACKET 2

SUPPORT 2

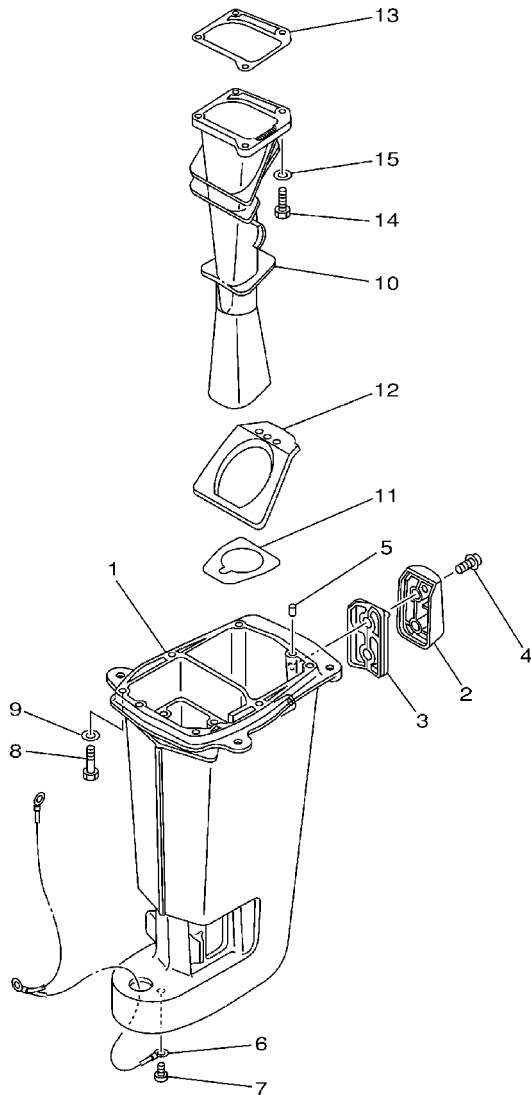


6L20300-1180

REF. NO.	PART NO. NO. PIECES	DESCRIPTION DESCRIPTION	20MO	25MO	20WO	25WO	REMARKS REMARQUES
28	6L2-43659-00	SHAFT, REVERSE LOCK AXE, VERROUILLAGE MARCHE AR	1	1	1	1	
29	99080-05600	CIRCLIP CIRCLIP	1	1	1	1	
30	6L2-43617-00	ROD, TILT LOCK TIGE	1	1	1	1	
31	6L2-43613-00	ARM, TILT LOCK GUIDE	1	1	1	1	
32	99080-05600	CIRCLIP CIRCLIP	1	1	1	1	
33	6L2-43624-00	PLATE, TILT ROCK ETRIER, VERROUILLAGE MARCHE AR	1	1	1	1	
34	6L2-43336-00	PIN CLAVETTE	1	1	1	1	
35	90506-23M11	SPRING, TENSION RESSORT, TENSION	1	1	1	1	
-----							
-----							
-----							
-----							
-----							
-----							
-----							
-----							

FIG. 19 UPPER CASING

FOURREAU

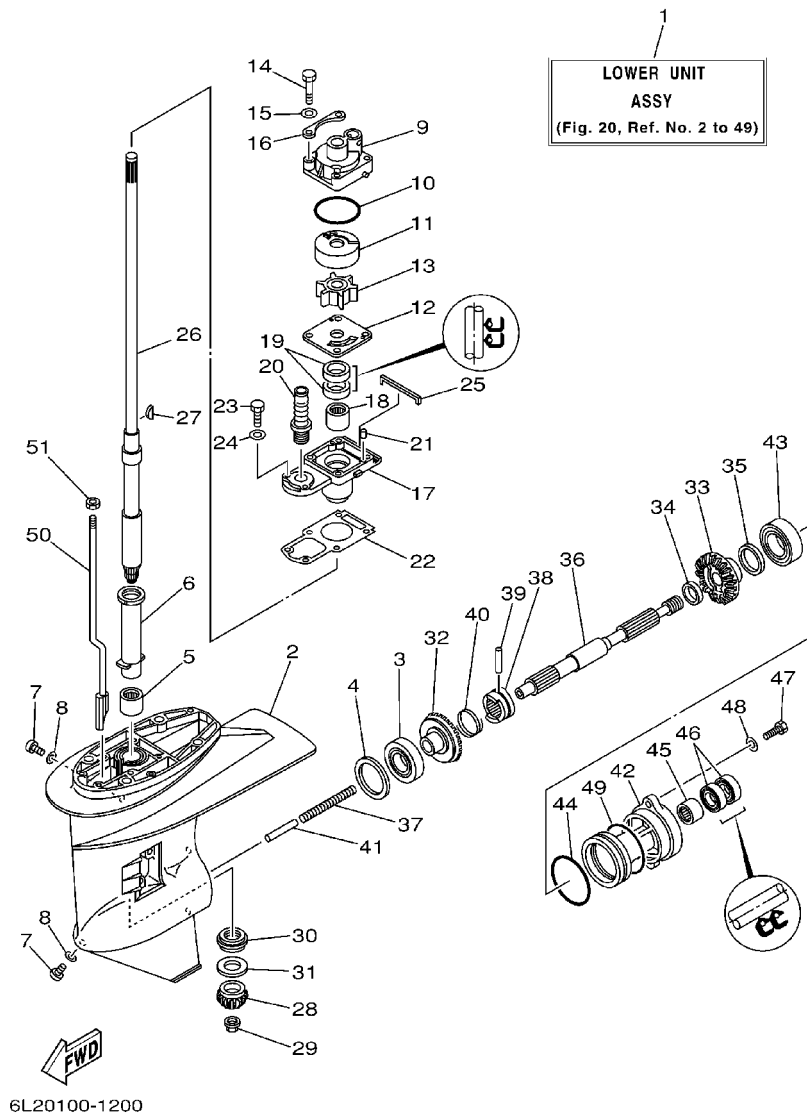


6L20100-1190

REF. NO.	PART NO. NO. PIECES	DESCRIPTION DESCRIPTION	20MO	25MO	20WO	25WO	REMARKS REMARQUES
1	6L2-45111-02-4D	CASING, UPPER FOURREAU	1	1	1	1	S
	6L2-45111-12-4D	CASING, UPPER FOURREAU	1	1	1	1	L
2	6L2-45151-01-4D	COVER, UPPER CASING CAPUCHON, FOURREAU	1	1	1	1	
3	6L2-45115-00	GASKET, UPPER CASING JOINT, TUBE D'ARBRE	1	1	1	1	
4	90159-06M11	SCREW, WITH WASHER VIS, AVEC RONDELLE	2	2	2	2	
5	93604-12M07	PIN, DOWEL GOUJON	2	2	2	2	
6	6L2-82127-00	WIRE, LEAD 2 FIL 2	1	1	1	1	
7	90157-06M06	SCREW, PAN HEAD VIS, TETE TRONCONIQUE	1	1	1	1	
8	97075-08030	BOLT BOULON	6	6	6	6	
9	92995-08600	WASHER RONDELLE	6	6	6	6	
10	6L2-41131-00-5B	MANIFOLD, EXT. 1 PIPE D'ECHAPPEMENT		1		1	
	6L3-41131-00-5B	MANIFOLD, EXT. 1 PIPE D'ECHAPPEMENT	1		1		
11	6L2-41134-00	GASKET, EXHAUST MANIFOLD JOINT, PIPE D'ECHAPPEMENT	1	1	1	1	
12	6L2-45123-01	GASKET, MUFFLER JOINT, POT DE DETENTE	1	1	1	1	
13	6L2-41133-A1	GASKET, EXHAUST MANIFOLD 1 JOINT, PIPE D'ECHAPPEMENT	1	1	1	1	
14	97095-06020	BOLT BOULON	4	4	4	4	
15	92995-06600	WASHER RONDELLE	4	4	4	4	

FIG. 20 LOWER CASING. DRIVE 1

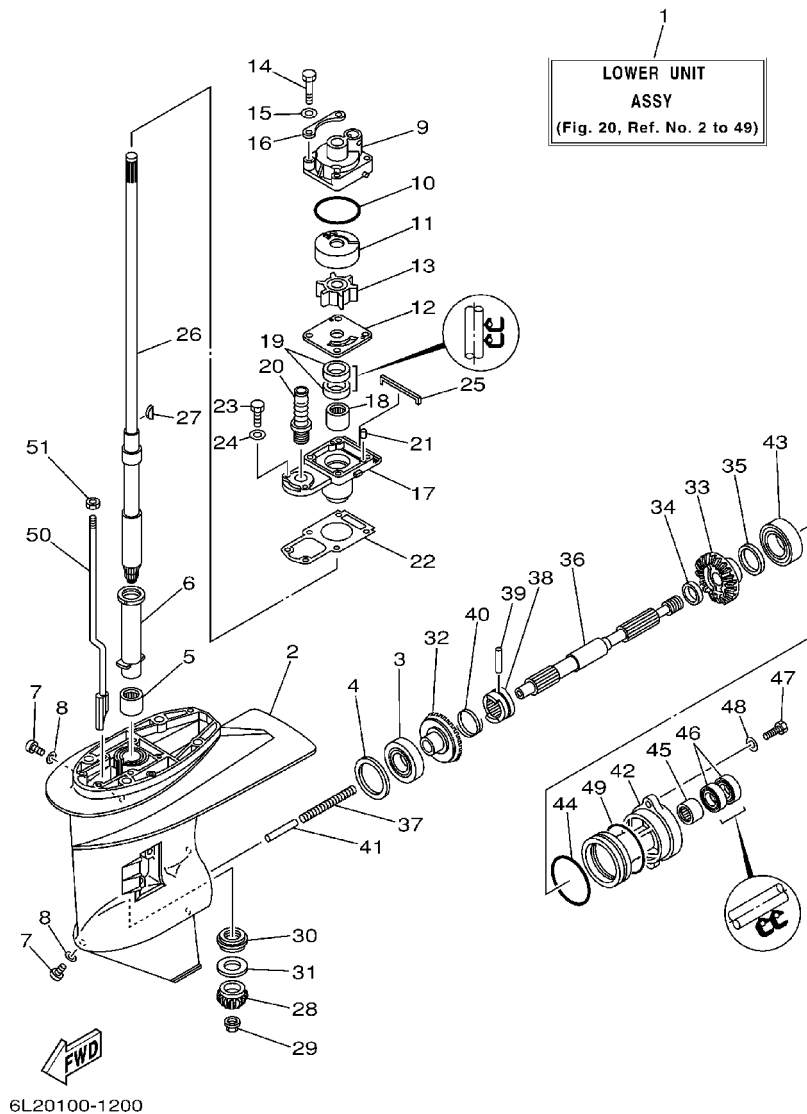
BOITIER D'HELICE, TRANSMISSION 1



REF. NO.	PART NO. NO. PIECES	DESCRIPTION DESCRIPTION	20MO	25MO	20WO	25WO	REMARKS REMARQUES
1	6L2-45300-02-4D	LOWER UNIT ASSY UNITE INFERIEURE (ENS.)	1	1	1	1	S
	6L2-45300-12-4D	LOWER UNIT ASSY UNITE INFERIEURE (ENS.)	1	1	1	1	L
2	6L2-45311-02-4D	CASING, LOWER BOITIER D'HELICE	1	1	1	1	
3	93332-00005	BEARING ROULEMENT	1	1	1	1	
4	6L2-45567-00-10	SHIM (T:1.0MM) CALE (T:1.0MM)	1	1	1	1	UR
	6L2-45567-00-11	SHIM (T:1.1MM) CALE (T:1.1MM)	1	1	1	1	UR
	6L2-45567-00-12	SHIM (T:1.2MM) CALE (T:1.2MM)	1	1	1	1	UR
	6L2-45567-00-13	SHIM (T:1.3MM) CALE (T:1.3MM)	1	1	1	1	UR
	6L2-45567-00-14	SHIM (T:1.4MM) CALE (T:1.4MM)	1	1	1	1	UR
5	93315-220V9	BEARING ROULEMENT	1	1	1	1	
6	6L2-45536-00	SLEEVE, DRIVE SHAFT MANCHON, ARBRE MOTEUR	1	1	1	1	
7	90340-08002	PLUG, STRAIGHT SCREW PLOT, FILETE DROIT	2	2	2	2	
8	90430-08020	GASKET JOINT	2	2	2	2	
9	6L2-44311-00	HOUSING, WATER PUMP CORPS, POMPE A EAU	1	1	1	1	
10	93210-45161	O-RING JOINT TORIQUE	1	1	1	1	
11	6L2-44322-00	INSERT, CARTRIDGE CUVETTE	1	1	1	1	
12	6L2-44323-00	OUTER PLATE, CARTRIDGE PLAQUE EXTERIEURE	1	1	1	1	
13	6L2-44352-00	IMPELLER TURBINE	1	1	1	1	
14	97095-06040	BOLT BOULON	4	4	4	4	
15	92995-06600	WASHER RONDELLE	4	4	4	4	
16	6L2-44328-00	PLATE PLAQUETTE	2	2	2	2	
17	6L2-45331-00-5B	HOUSING, BEARING FLASQUE, ROULEMENT	1	1	1	1	
18	93315-22004	BEARING ROULEMENT	1	1	1	1	
19	93101-20048	OIL SEAL JOINT SPY	2	2	2	2	
20	6L2-44147-00	BOOT, SHIFT ROD SOUFFLET, TIGE D'INVERSION	1	1	1	1	
21	93604-12M07	PIN, DOWEL GOUJON	2	2	2	2	
22	6L2-45315-A0	PACKING, LOWER CASING JOINT, BOITIER D'HELICE	1	1	1	1	

FIG. 20 LOWER CASING. DRIVE 1

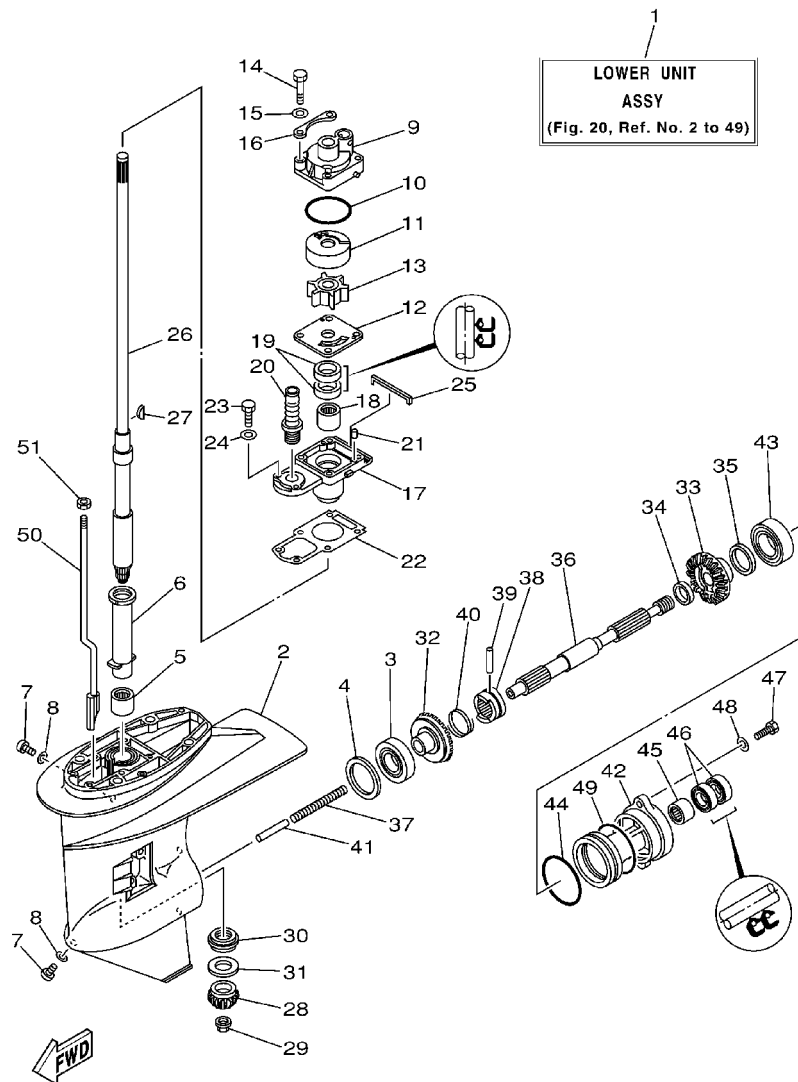
BOITIER D'HELICE, TRANSMISSION 1



REF. NO.	PART NO. NO. PIECES	DESCRIPTION DESCRIPTION	20MO	25MO	20WO	25WO	REMARKS REMARQUES
23	97095-06020	BOLT BOULON	2	2	2	2	
24	92995-06600	WASHER RONDELLE	2	2	2	2	
25	6L2-45375-00	DAMPER, SEAL BOURRELET, CAOUTCHOUC	1	1	1	1	
26	6L2-45510-00	DRIVE SHAFT ASSY ARBRE MOTEUR (ENS.)	1	1	1	1	S
	6L2-45510-10	DRIVE SHAFT ASSY ARBRE MOTEUR (ENS.)	1	1	1	1	L
27	90280-03024	KEY, WOODRUFF CLAVETTE, DEMI-LUNE	1	1	1	1	
28	6L2-45551-01	PINION PIGNON D'ATTAQUE	1	1	1	1	
29	90179-10M14	NUT ECROU	1	1	1	1	
30	93341-320U0	BEARING ROULEMENT	1	1	1	1	
31	6L2-45587-00-15	SHIM (T:1.5MM) CALE (T:1.5MM)	1	1	1	1	UR
	6L2-45587-00-16	SHIM (T:1.6MM) CALE (T:1.6MM)	1	1	1	1	UR
32	6L2-45560-00	GEAR PIGNON	1	1	1	1	
33	6L2-45571-00	GEAR PIGNON	1	1	1	1	
34	90201-20417	WASHER, PLATE RONDELLE, PLATE	1	1	1	1	
35	6L2-45577-00-10	SHIM (T:1.0MM) CALE (T:1.0MM)	1	1	1	1	UR
	6L2-45577-00-11	SHIM (T:1.1MM) CALE (T:1.1MM)	1	1	1	1	UR
	6L2-45577-00-12	SHIM (T:1.2MM) CALE (T:1.2MM)	1	1	1	1	UR
	6L2-45577-00-13	SHIM (T:1.3MM) CALE (T:1.3MM)	1	1	1	1	UR
36	6L2-45611-00	SHAFT, PROPELLER ARBRE, HELICE	1	1	1	1	
37	90501-10065	SPRING, COMPRESSION RESSORT, COMPRESSION	1	1	1	1	
38	6L2-45631-00	CLUTCH, DOG CRABOT	1	1	1	1	
39	90250-05010	PIN, STRAIGHT GOUPILLE, DROITE	1	1	1	1	
40	648-45633-00	RING, CROSS PIN JONC, GOUPILLE CRABOT	1	1	1	1	
41	648-45635-00	PLUNGER, SHIFT POUSSOIR D'EMBRAYAGE	1	1	1	1	
42	6L2-45361-03-4D	CAP, LOWER CASING COUVERCLE, BOITIER D'HELICE	1	1	1	1	
43	93306-00612	BEARING ROULEMENT	1	1	1	1	
44	93210-60MA3	O-RING JOINT TORIQUE	1	1	1	1	

FIG. 20 LOWER CASING. DRIVE 1

BOITIER D'HELICE, TRANSMISSION 1



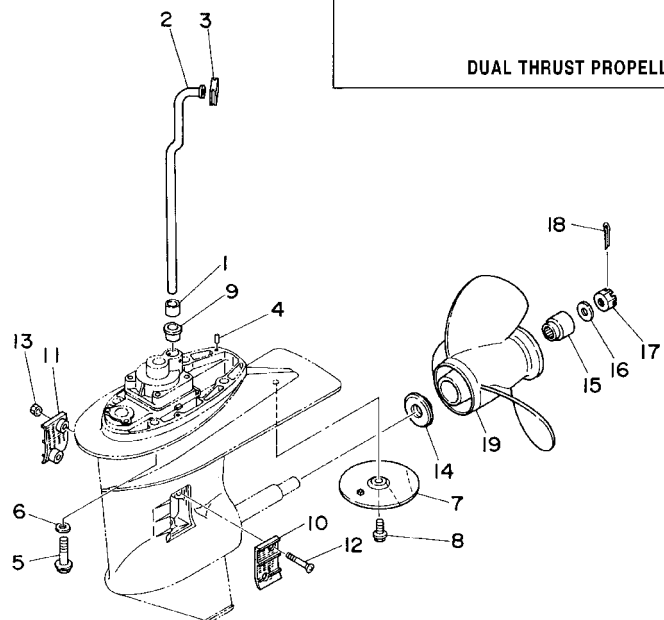
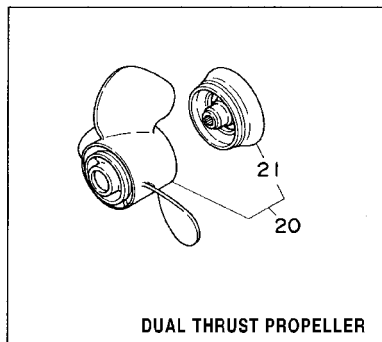
6L20100-1200

REF. NO.	PART NO. NO. PIECES	DESCRIPTION DESCRIPTION	20MO	25MO	20WO	25WO	REMARKS REMARQUES
45	93315-22004	BEARING ROULEMENT	1	1	1	1	
46	93101-20M07	OIL SEAL JOINT SPY	2	2	2	2	
47	97095-06020	BOLT BOULON	2	2	2	2	
48	92995-06600	WASHER RONDELLE	2	2	2	2	
49	93210-60M99	O-RING JOINT TORIQUE	1	1	1	1	
50	6L2-44150-00	SHIFT CAM ASSY CAME D'INVERSION	1	1	1	1	S
	6L2-44150-10	SHIFT CAM ASSY CAME D'INVERSION	1	1	1	1	L
51	95380-06600	NUT, HEXAGON ECROU	1	1	1	1	

FIG. 21 LOWER CASING. DRIVE 2

BOITIER D'HELICE, TRANSMISSION 2

REF. NO.	PART NO. NO. PIECES	DESCRIPTION DESCRIPTION	20MO	25MO	20WO	25WO	REMARKS REMARQUES
1	6L2-44368-00	RUBBER, WATER SEAL 4 JOINT,TUBEDEAU	1	1	1	1	
2	6L2-44361-00	TUBE, WATER TUBE D'EAU	1	1	1	1	S
	6L2-44361-10	TUBE, WATER TUBE D'EAU	1	1	1	1	L
3	6L2-44366-00	DAMPER, WATER SEAL JOINT, TUBE D'EAU	1	1	1	1	
4	93604-12M07	PIN, DOWEL GOUJON	2	2	2	2	
5	90105-10M12	BOLT, FLANGE BOULON	4	4	4	4	
6	92995-10600	WASHER RONDELLE	4	4	4	4	
7	664-45371-01	TAB-TRIM ANODE DERIVE	1	1	1	1	
8	90105-08M02	BOLT, FLANGE BOULON	1	1	1	1	
9	6L2-44367-00	DAMPER, WATER SEAL JOINT TUBE D'EAU	1	1	1	1	
10	6L2-45214-00	COVER, WATER INLET GRILLE, ENTREE D'EAU	1	1	1	1	
11	6L2-45215-00	COVER, WATER INLET GRILLE, ENTREE D'EAU	1	1	1	1	
12	90151-05M05	SCREW, COUNTERSUNK VIS, TETE NOYEE	2	2	2	2	
13	90185-05002	NUT, SELF-LOCKING ECROU, AUTO-BLOCANT	2	2	2	2	
14	6L2-45987-01	SPACER ENTRETOISE	1	1	1	1	
15	689-45997-00	SPACER ENTRETOISE	1	1	1	1	
16	92990-14200	WASHER, PLAIN RONDELLE, PLATE	1	1	1	1	
17	90171-14013	NUT, CASTLE ECROU, CRENELE	1	1	1	1	
18	91490-30022	PIN, COTTER GOUPILLE, FENDUE	1	1	1	1	
19	664-45941-01-EL	PROPELLER (3X9-7/8"X9"-F) HELICE (3X9-7/8"X9"-F)	1	1	1	1	UR
	664-45943-01-EL	PROPELLER (3X9-7/8"X8"-F) HELICE (3X9-7/8"X8"-F)	1	1	1	1	UR
	664-45945-00-EL	PROPELLER (3X9-7/8"X10-1/2"-F) HELICE (3X9-7/8"X10-1/2"-F)	1	1	1	1	UR
	664-45947-01-EL	PROPELLER (3X9-7/8"X11-1/4"-F) HELICE (3X9-7/8"X11-1/4"-F)	1	1	1	1	UR
	664-45949-02-EL	PROPELLER (3X9-7/8"X13"-F) HELICE (3X9-7/8"X13"-F)	1	1	1	1	UR
	664-45952-00-EL	PROPELLER (3X9-7/8"X14"-F) HELICE (3X9-7/8"X14"-F)	1	1	1	1	UR
	664-45954-01-EL	PROPELLER (3X9-7/8"X12"-F) HELICE (3X9-7/8"X12"-F)	1	1	1	1	UR
	664-45970-00-98	PROPELLER (3X9-1/8"X13"-F) HELICE (3X9-1/8"X13"-F)	1	1	1	1	UR STAINLESS STEEL, WEEDLESS



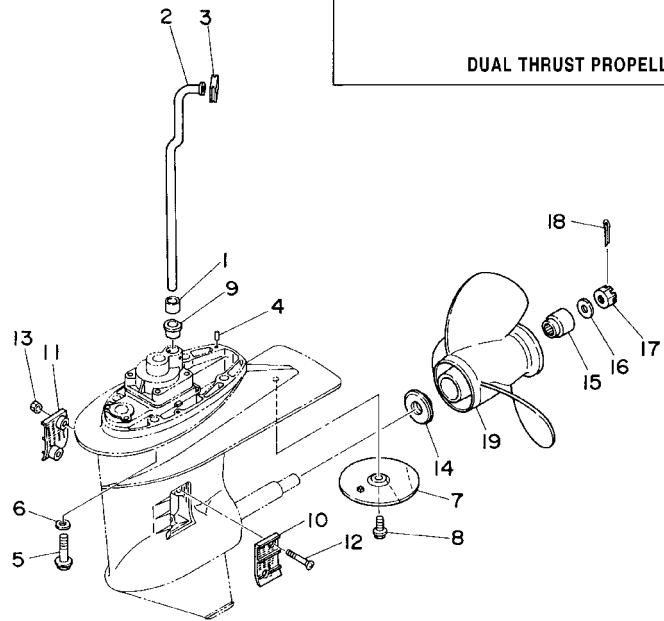
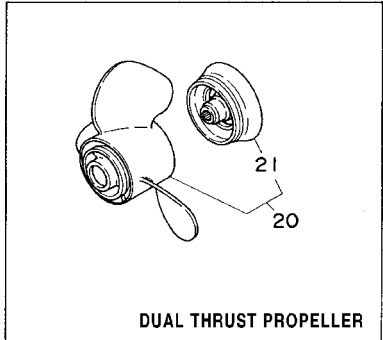
6L20010-4200



**FIG. 21 LOWER CASING. DRIVE 2**

**BOITIER D'HELICE, TRANSMISSION 2**

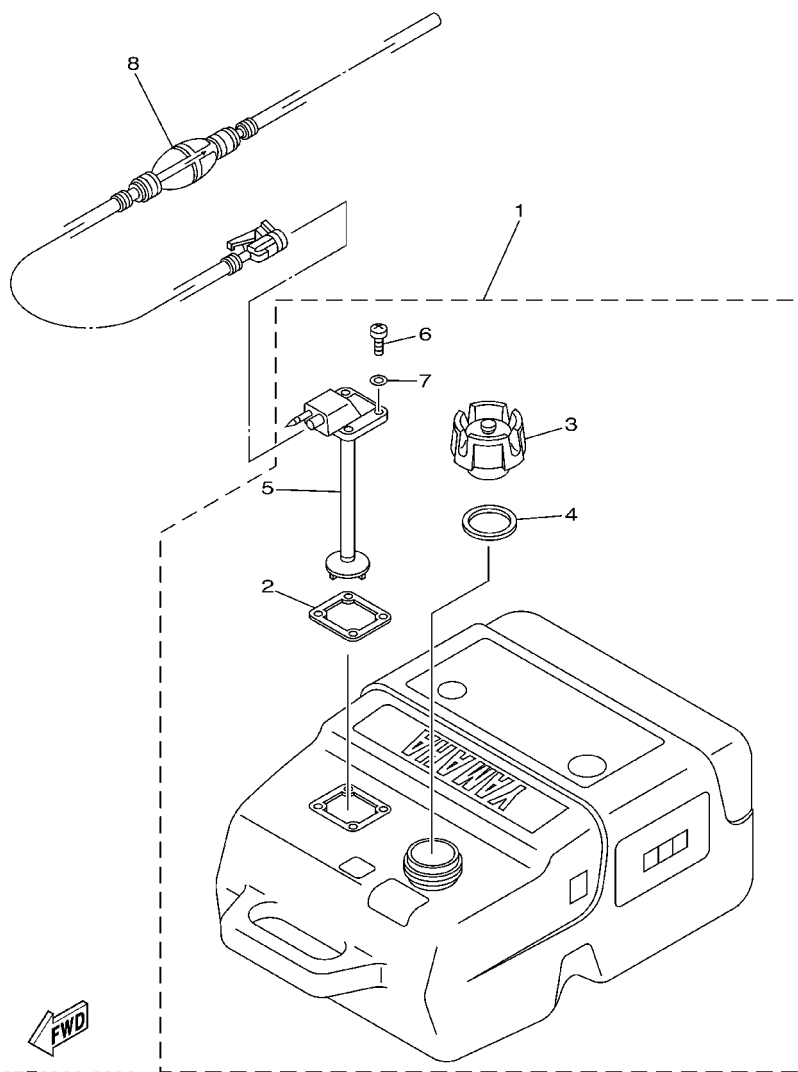
REF. NO.	PART NO. NO. PIECES	DESCRIPTION DESCRIPTION	20MO	25MO	20WO	25WO	REMARKS REMARQUES
19	664-45972-00-98	PROPELLER (3X9-1/8"X12"-F) HELICE (3X9-1/8"X12"-F)	1	1	1	1	UR STAINLESS STEEL, WEEDLESS
20	6J8-W4591-00-EL	PROPELLER (3X10-5/8"X8-1/4"-F) HELICE (3X10-5/8"X8-1/4"-F)	1	1	1	1	DUAL THRUST PROPELLER
21	6J8-45986-10-98	.RING, DEFLECTOR .DEFLECTEUR DE CERCLE	1	1	1	1	



6L20010-4200

FIG. 22 FUEL TANK

RESERVOIR A CARBURANT

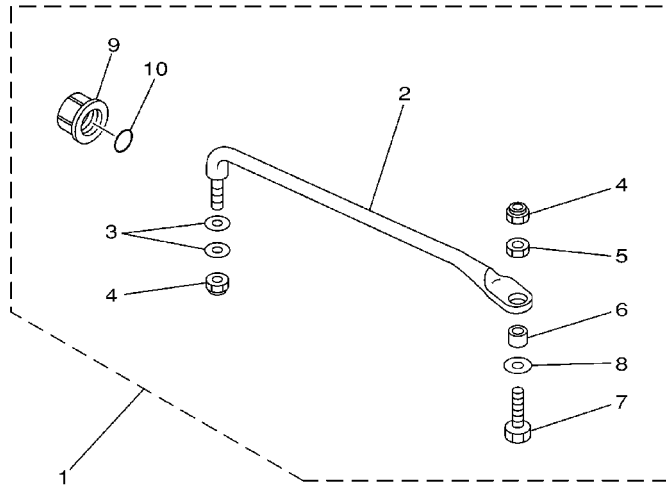


67F0300-9300

REF. NO.	PART NO. NO. PIECES	DESCRIPTION DESCRIPTION	20MO	25MO	20WO	25WO	REMARKS REMARQUES
1	6YK-24201-01	FUEL TANK ASSY RESERVOIR A ESSENCE (ENS.)	1	1	1	1	AP PLASTIC, 25L, "SCEPTER"
2	6YL-24268-01	.GASKET, FUEL METER .JOINT, JAUGE A CARBURANT	1	1	1	1	
3	6YK-24610-00	.CAP ASSY .BOUCHON	1	1	1	1	WITH INDICATOR
4	6YL-24641-00	.GASKET, CAP 1 .JOINT 1, BOUCHON	1	1	1	1	
5	6YK-24260-01	.FUEL METER ASSY .INDICATEUR DE CARBURANT	1	1	1	1	
6	90157-05M16	.SCREW, PAN HEAD .VIS, TETE TRONCONIQUE	4	4	4	4	
7	6YL-24329-00	.SEAL .JOINT	4	4	4	4	
8	6YL-24306-52	FUEL PIPE COMP. 1 DURITE A ESSENCE 1	1	1	1	1	AP
-----							
-----							
-----							
-----							
-----							
-----							
-----							
-----							
-----							

FIG. 23 STEERING GUIDE

FIXATION DE DIRECTION

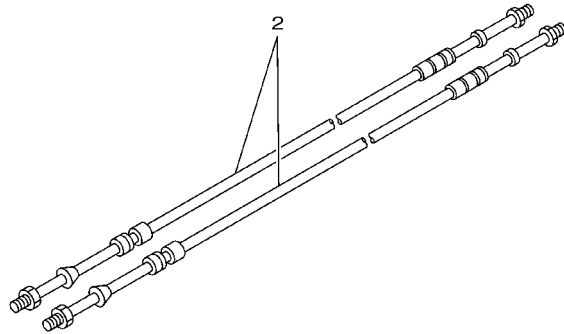
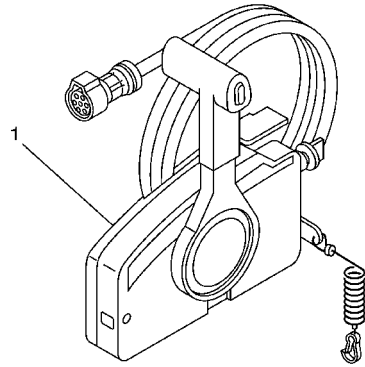


REF. NO.	PART NO. NO. PIECES	DESCRIPTION DESCRIPTION	20MO	25MO	20WO	25WO	REMARKS REMARQUES
1	689-61350-02	STEERING GUIDE ATTACHMENT KIT FIXATIONS DE DIRECTION			1	1	AP
2	689-61351-01	.ROD, STEERING LINK .RENOI DE DIRECTION			1	1	
3	90201-10M20	.WASHER, PLATE .RONDELLE, PLATE			2	2	
4	90185-09M01	.NUT, SELF-LOCKING .ECROU, AUTO-BLOCANT			2	2	
5	90170-09M03	.NUT .ECROU			1	1	
6	90387-10M42	.COLLAR .COLLERETTE			1	1	
7	6E5-61355-00	.BOLT .BOULON			1	1	
8	90201-10M63	.WASHER, PLATE .RONDELLE, PLATE			1	1	
9	6E5-43145-01	.CAP, CLAMP BRACKET .CAPUCHON, PRESSE			1	1	
10	93210-16275	.O-RING .JOINT TORIQUE			1	1	

6J83100-2290

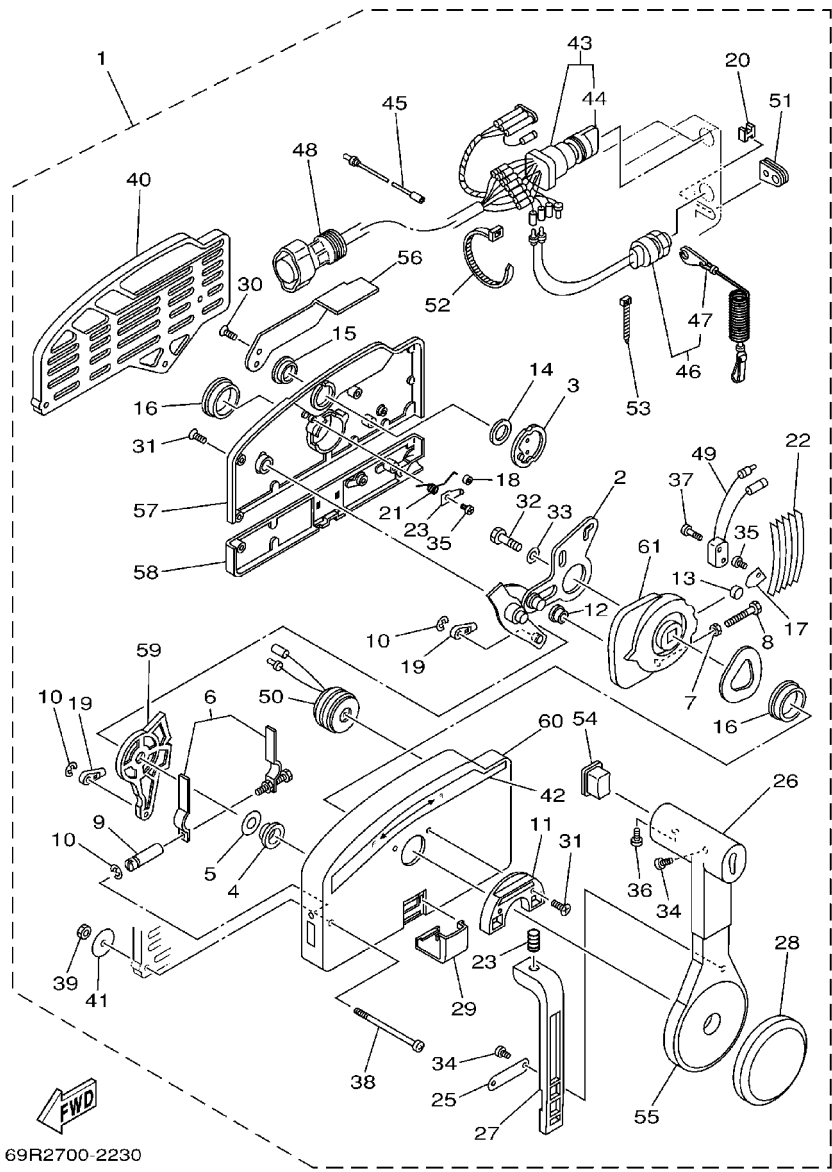
FIG. 24 REMOTE CONTROL BOX

BOITIER DE COMMANDE A DISTANCE



67M0100-8280

REF. NO.	PART NO. NO. PIECES	DESCRIPTION DESCRIPTION	20MO	25MO	20WO	25WO	REMARKS REMARQUES
1	703-48230-15	REMOTE CONTROL ASSY BOITIER DE COMMANDE A DISTANCE			1	1	AP
2	701-48310-90	CABLE, REMOTE CONTROL L=11F CABLE, COMMANDE A DISTANCE:11F			2	2	UR
	701-48320-00	CABLE, REMOTE CONTROL L=12F CABLE, COMMANDE A DISTANCE:12F			2	2	UR
	701-48320-20	CABLE, REMOTE CONTROL L=13F CABLE, COMMANDE A DISTANCE:13F			2	2	UR
	701-48320-50	CABLE, REMOTE CONTROL L=15F CABLE, COMMANDE A DISTANCE:15F			2	2	UR
-----							
-----							
-----							
-----							
-----							
-----							
-----							
-----							
-----							
-----							
-----							
-----							
-----							



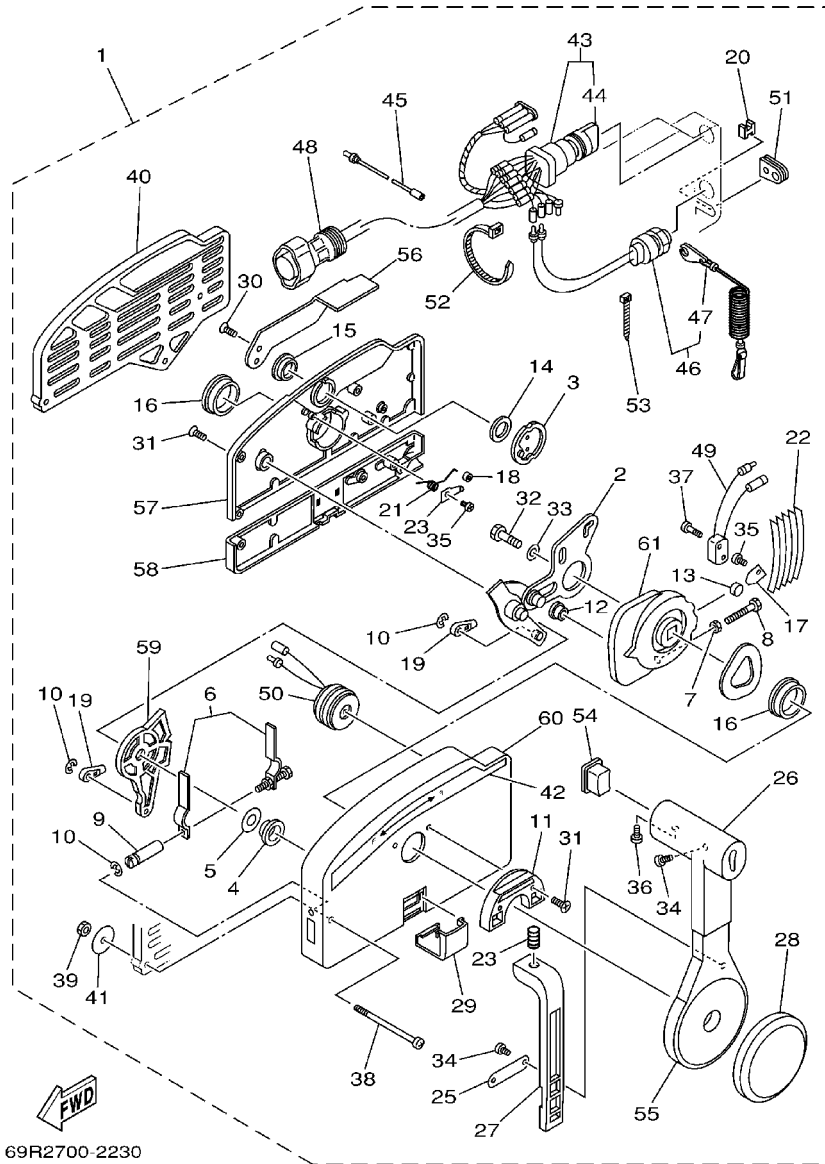
69R2700-2230

FIG. 25 REMOTE CONTROL ASSY BOITIER DE COMMANDE A DISTANCE

REF. NO.	PART NO. NO. PIECES	DESCRIPTION DESCRIPTION	20MO	25MO	20WO	25WO	REMARKS REMARQUES
1	703-48230-15	REMOTE CONTROL ASSY BOITIER DE COMMANDE A DISTANCE			1	1	AP
2	703-48261-11	.ARM, THROTTLE .BRAS, ACCELERATION			1	1	
3	703-48153-00	.SHAFT, FREE ACCEL. .AXE			1	1	
4	703-48235-00	.BUSHING .COUSSINET			1	1	
5	703-48268-00	.SPACER .ENTRETOISE			1	1	
6	703-48264-00	.THROTTLE, FRICTION ACCELERATION			1	1	
7	95380-05600	.NUT .ECROU			1	1	
8	97380-05025	.BOLT .BOULON			1	1	
9	703-48265-00	.SHAFT, FRICTION .AXE, COPILOTE			1	1	
10	93430-06024	.CIRCLIP .CIRCLIP, TYPE S			3	3	
11	703-48245-00	.PLATE, LOCK .PLAQUE, VERROU			1	1	
12	703-48252-00	.ROLLER, CAM .POULIE			1	1	
13	701-48248-00	.ROLLER, FREE ACCEL. .POULIE			1	1	
14	703-48198-00	.WASHER, WAVE .RONDELLE, ELASTIQUE ONDULEE			1	1	
15	703-48243-00	BUSHING COUSSINET			1	1	
16	703-48236-00	BUSHING 1 POULIE			2	2	
17	703-48189-00	.RETAINER .FLASQUE			1	1	
18	703-48234-00	.ROLLER, DETENT POULIE			1	1	
19	703-48345-01	.CABLE END, REMOTE CONTROL 2 CHAPE CABLE			2	2	
20	703-48358-00	.ANCHOR, CABLE COLLIER			1	1	
21	703-48244-00	.SPRING, FREE ACCEL. RESSORT			1	1	
22	703-48238-00	.SPRING, DETENT RESSORT			5	5	
23	703-48246-00	.SPACER ENTRETOISE			1	1	
24	703-48227-00	.SPRING, NEUTRAL LOCK RESSORT			1	1	
25	703-48226-00	.PLATE, STOPPER PLAQUETTE			1	1	
26	703-48222-00	.GRIP, CONTROL LEVER POIGNEE, COMMANDE LEVIER			1	1	SINGLE
27	703-48223-00	.LOCK, NEUTRAL VERROU, NEUTRAL			1	1	

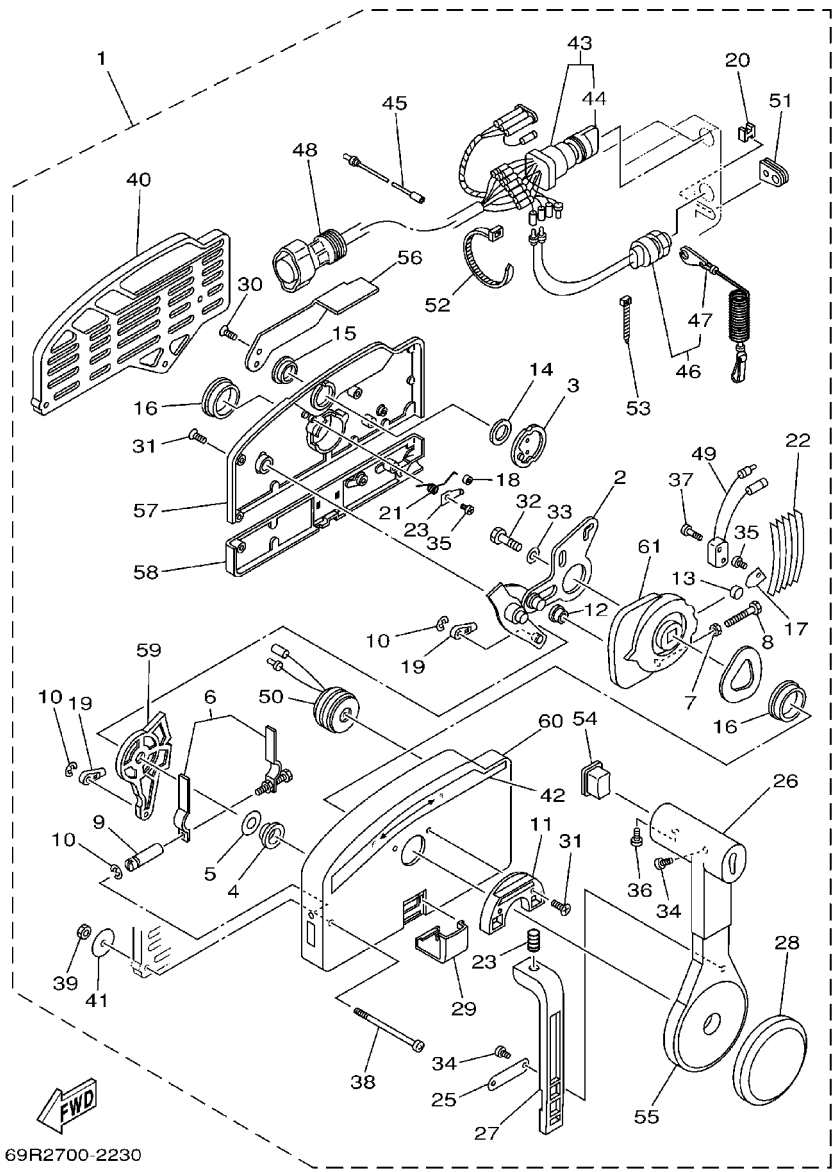
FIG. 25 REMOTE CONTROL ASSY

BOITIER DE COMMANDE A DISTANCE



69R2700-2230

REF. NO.	PART NO. NO. PIECES	DESCRIPTION DESCRIPTION	20MO	25MO	20WO	25WO	REMARKS REMARQUES
28	703-48225-00	.COVER .COUVERCLE			1	1	
29	703-48219-00	.COVER, LEAD .COUVERCLE			1	1	
30	703-48281-00	.SCREW .VIS			2	2	
31	703-48282-00	.SCREW .VIS			7	7	
32	97380-08030	.BOLT .BOULON			1	1	
33	92990-08600	.WASHER, PLATE .RONDELLE, PLATE			1	1	
34	98580-04010	.SCREW, PAN HEAD .VIS, TETE TRONCONIQUE			3	3	
35	98580-04006	.SCREW, PAN HEAD .VIS, TETE TRONCONIQUE			2	2	
36	98580-05010	.SCREW, PAN HEAD .VIS, TETE TRONCONIQUE			1	1	
37	98580-03015	.SCREW, PAN HEAD .VIS, TETE TRONCONIQUE			2	2	
38	703-48291-10	.SCREW (M6) .VIS (M6)			3	3	
39	95380-06600	.NUT, HEXAGON .ECROU			3	3	
40	703-48293-10	.SPACER, REMOTE CONTROL .ENTRETOISE			1	1	SINGLE
41	701-48287-00	.WASHER .RONDELLE			3	3	
42	703-48215-00	.GRAPHIC .ADHESIF			1	1	
43	703-82510-33	.MAIN SWITCH ASSY .CONTACTEUR A CLEF COMPLET			1	1	
44	703-82577-00	.CAP, KEY .CABOCHON			1	1	
45	703-82531-00	.WIRE, LEAD .FIL			1	1	
46	688-82575-01	.ENGINE STOP SWITCH ASSY .COUPE CIRCUIT CPLT			1	1	
47	682-82556-00	.STOPPER .PLAQUETTE			1	1	
48	688-82586-21	.EXTENSION, WIRE HARNESS .EXTENSION, FAISCEAU DE FILS			1	1	L:5M (7P)
49	703-82540-00	.NEUTRAL SWITCH ASSY .CONTACTEUR DE POINT-MORT			1	1	
50	703-83383-02	.BUZZER .RONFLEUR			1	1	
51	703-48284-00	.GROMMET .PASSE-FIL			1	1	
52	703-82591-00	.BAND .COLLIER			1	1	
53	703-82592-00	.BAND .COLLIER			1	1	
54	703-48224-00	.COVER, CONTROL LEVER .COUVERCLE			1	1	WITHOUT PT/T SW.



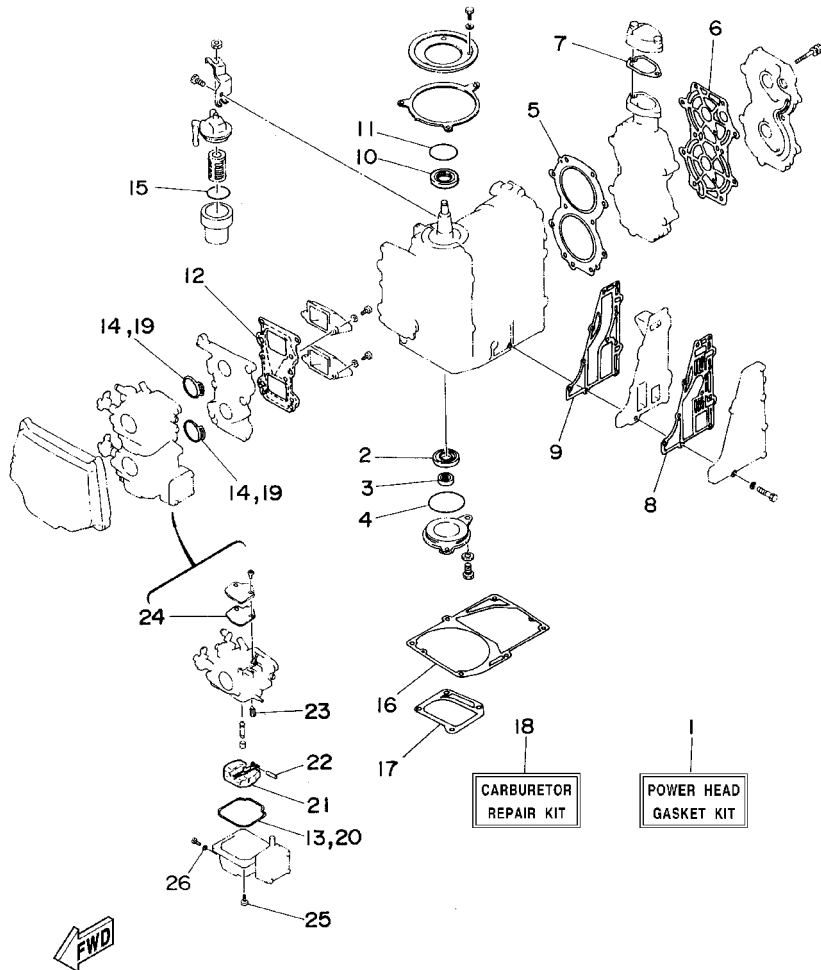
69R2700-2230

FIG. 25 REMOTE CONTROL ASSY BOITIER DE COMMANDE A DISTANCE

REF. NO.	PART NO. NO. PIECES	DESCRIPTION DESCRIPTION	20MO	25MO	20WO	25WO	REMARKS REMARQUES
55	703-48221-00	.LEVER, CONTROL .LEVIER, COMMANDE			1	1	
56	703-48152-00	.KNOB, FREE ACCEL. .BOUTON			1	1	
57	703-48212-00	.BACK PLATE 1 .PLAQUETTE 1			1	1	
58	703-48213-00	.BACK PLATE 2 .PLAQUETTE 2			1	1	
59	703-48271-00	.ARM, SHIFT .BRAS			1	1	
60	703-48211-01	.HOUSING,1 .CORPS			1	1	
61	703-48232-00	.GEAR .PIGNON			1	1	

FIG. 26 REPAIR KIT 1

KITS DE REPARATION 1



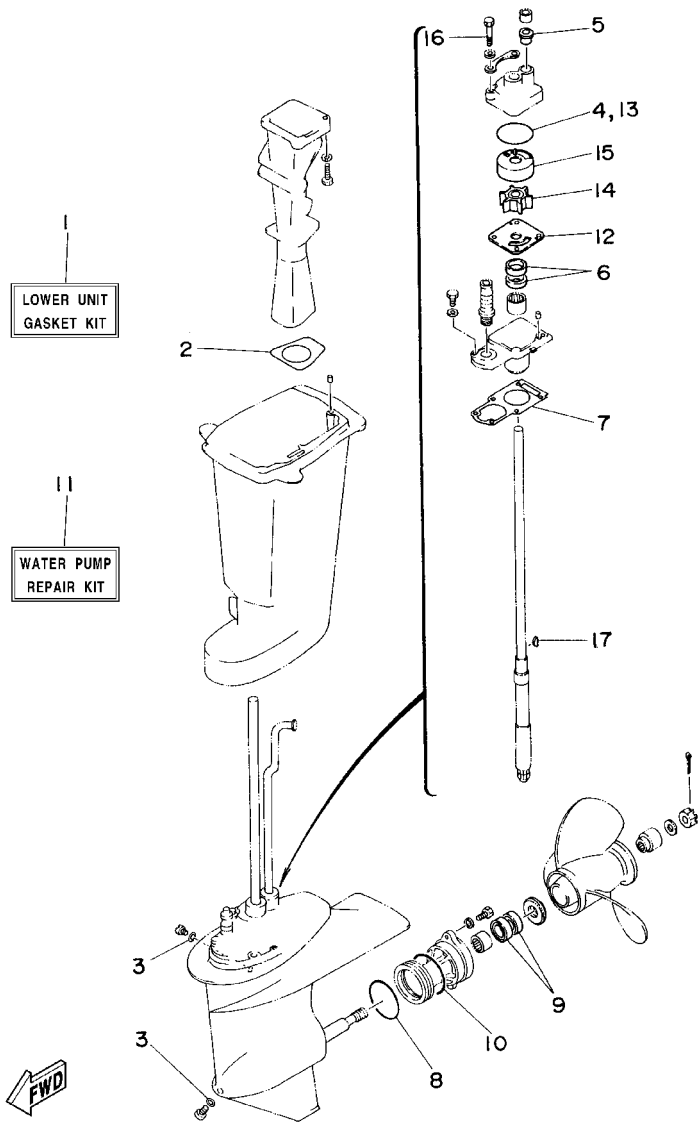
6L20100-4260

REF. NO.	PART NO. NO. PIECES	DESCRIPTION DESCRIPTION	20MO	25MO	20WO	25WO	REMARKS REMARQUES
1	6L2-W0001-03	POWER HEAD GASKET KIT POCHETTE DE JINTS TETE MOTRICE	1	1	1	1	
2	93102-25142	.OIL SEAL .JOINT SPY	1	1	1	1	
3	93101-13M37	.OIL SEAL .JOINT SPY	1	1	1	1	
4	93210-56M80	.O-RING .JOINT TORIQUE	1	1	1	1	
5	6L2-11181-A2	.GASKET, CYLINDER HEAD 1 .JOINT, DE CULASSE 1	1	1	1	1	
6	6L2-11193-A1	.GASKET, HEAD COVER 1 .JOINT, COUVERCLE DE CULASSE 1	1	1	1	1	
7	6J8-12414-A0	.GASKET, COVER .JOINT, COUVERCLE	1	1	1	1	
8	6L2-41114-A1	.GASKET, EXHAUST OUTER COVER .JOINT, COUVERCLE D'ECHAPPEMEN	1	1	1	1	
9	6L2-41112-A1	.GASKET, EXHAUST INNER COVER .JOINT, PLAQUE D'ECHAPPEMENT	1	1	1	1	
10	93102-26M27	.OIL SEAL .JOINT SPY	1	1	1	1	
11	93210-42159	.O-RING .JOINT TORIQUE	1	1	1	1	
12	6L2-13621-00	.GASKET, VALVE SEAT .JOINT, SIEGE DE CLAPET	1	1	1	1	
13	6L2-14384-00	.GASKET, FLOAT CHAMBER .JOINT, CUVE DE FLOTTEUR	2	2	2	2	
14	6L2-14198-00	.GASKET .JOINT	2	2	2	2	
15	93210-32738	.O-RING .JOINT TORIQUE	1	1	1	1	
16	6L2-45113-A1	.GASKET, UPPER CASING .JOINT, TUBE D'ARBRE	1	1	1	1	
17	6L2-41133-A1	.GASKET, EXHAUST MANIFOLD 1 .JOINT, PIPE D'ECHAPPEMENT	1	1	1	1	
18	6L2-W0093-00	CARBURETOR REPAIR KIT KIT DE REPARATION CARBURATEUR	1	1	1	1	
19	6L2-14198-00	.GASKET .JOINT	2	2	2	2	
20	6L2-14384-00	.GASKET, FLOAT CHAMBER .JOINT, CUVE DE FLOTTEUR	2	2	2	2	
21	6L2-14385-00	.FLOAT .FLOTTEUR	2	2	2	2	
22	6E5-14386-01	.PIN, FLOAT .AXE, FLOTTEUR	2	2	2	2	
23	6L2-14392-00	.VALVE, NEEDLE .POINTEAU	2	2	2	2	
24	6L2-14399-00	.GASKET .JOINT	2	2	2	2	
25	97980-04112	.SCREW, WITH WASHER .VIS, AVEC RONDELLE	2	2	2	2	
26	6L2-14398-00	.GASKET .JOINT	2	2	2	2	



FIG. 27 REPAIR KIT 2

KITS DE REPARATION 2



6L20100-4270

REF. NO.	PART NO. NO. PIECES	DESCRIPTION DESCRIPTION	20MO	25MO	20WO	25WO	REMARKS REMARQUES
1	6L2-W0001-C3	LOWER UNIT GASKET KIT POCHETTE DE JOINTS EMBASE	1	1	1	1	
2	6L2-41134-00	.GASKET, EXHAUST MANIFOLD JOINT, PIPE D'ECHAPPEMENT	1	1	1	1	
3	90430-08020	.GASKET JOINT	2	2	2	2	
4	93210-45161	.O-RING JOINT TORIQUE	1	1	1	1	
5	6L2-44367-00	.DAMPER, WATER SEAL JOINT TUBE D'EAU	1	1	1	1	
6	93101-20048	.OIL SEAL JOINT SPY	2	2	2	2	
7	6L2-45315-A0	.PACKING, LOWER CASING JOINT, BOITIER D'HELICE	1	1	1	1	
8	93210-60MA3	.O-RING JOINT TORIQUE	1	1	1	1	
9	93101-20M07	.OIL SEAL JOINT SPY	2	2	2	2	
10	93210-60M99	.O-RING JOINT TORIQUE	1	1	1	1	
11	6L2-W0078-00	WATER PUMP REPAIR KIT KIT DE REPARATION DE LA POMPE	1	1	1	1	
12	6L2-44323-00	.OUTER PLATE, CARTRIDGE PLAQUE EXTERIEURE	1	1	1	1	
13	93210-45161	.O-RING JOINT TORIQUE	1	1	1	1	
14	6L2-44352-00	.IMPELLER TURBINE	1	1	1	1	
15	6L2-44322-00	.INSERT, CARTRIDGE CUVETTE	1	1	1	1	
16	97095-06040	.BOLT BOULON	4	4	4	4	
17	90280-03024	.KEY, WOODRUFF CLAVETTE, DEMI-LUNE	1	1	1	1	

NUMERICAL INDEX  
INDEX NUMERIQUE

PART NO. NO. PIECES	REF. NO.	PART NO. NO. PIECES	REF. NO.	PART NO. NO. PIECES	REF. NO.	PART NO. NO. PIECES	REF. NO.	PART NO. NO. PIECES	REF. NO.	PART NO. NO. PIECES	REF. NO.
6L2-W0001-C3	27 - 1	6L2-13416-00	6 - 29	6L2-14578-00	5 - 32	6H1-24633-00	6 - 25	6L2-42154-01	16 - 5	6L2-43188-00	18 - 24
6L2-W0001-03	26 - 1	6L2-13437-00	1 - 13	6L2-15100-10-1S	2 - 2	6YL-24641-00	22 - 4	6E0-42159-02	14 - 21	6L2-43191-01	18 - 11
6L2-W0004-00	4 - 2	6L2-13437-21	8 - 41	6L2-15396-00-1S	3 - 25	6L2-26301-00	14 - 23	6J8-42167-00	15 - 7	6L2-43311-05-4D	17 - 15
6L2-W0070-13	1 - 9	6L2-13471-00	6 - 6	6J8-15705-00	8 - 19	6G8-26363-00	16 - 14	6L2-42167-00	15 - 8	682-43318-01	18 - 6
6L2-W0078-00	27 - 11	6L2-13475-00	6 - 7	6L2-15710-02	8 - 1	6L2-26363-00	14 - 35	689-42169-01	15 - 12	6L2-43336-00	18 - 34
6L2-W0084-00-4D	14 - 1	6L2-13610-00	4 - 1	6L2-15711-00-94	8 - 2	6G8-26364-00	16 - 15	6F6-42177-A0	14 - 13	6L2-43350-02	18 - 14
6L2-W0090-11-1S	2 - 1	6L2-13621-00	4 - 7	6J8-15714-00	8 - 11	6A1-28176-00	13 - 32	6L2-42191-01	16 - 6	689-43373-01	17 - 19
6L2-W0093-00	26 - 18		26 - 12	677-15717-01	8 - 13	6L2-41111-00-1S	2 - 27	6L2-42192-00	15 - 17	6J8-43611-01	18 - 15
656-W2810-02	7 - 14	6L2-13641-10-94	4 - 5	6L2-15723-01	8 - 39	6L2-41112-A1	2 - 28	6L2-42192-20	16 - 7	6L2-43611-00	18 - 26
6J8-W4591-00-EL	21 - 20	6L2-14157-00	5 - 10	676-15741-03	8 - 17		26 - 9	6L2-42510-01-4D	17 - 26	6L2-43613-00	18 - 31
6L2-11111-01-1S	2 - 17	6L2-14198-00	4 - 12	6L2-15746-00	8 - 29	6L2-41113-00-1S	2 - 29	6H4-42528-00	17 - 18	6L2-43614-00	18 - 17
6L2-11181-A2	2 - 18		26 - 14	6L2-15747-00	8 - 32	6L2-41114-A1	2 - 31	624-42542-00	6 - 40	6L2-43615-00	18 - 20
	26 - 5		26 - 19	656-15748-00	8 - 26		26 - 8	6L2-42610-30-4D	1 - 1	6L2-43617-00	18 - 30
6L2-11191-00-1S	2 - 19	646-14212-01	5 - 17	689-15755-01	8 - 8	6L2-41131-00-5B	19 - 10	6L3-42610-30-4D	1 - 1	6L2-43624-00	18 - 33
6L2-11193-A1	2 - 20	6L2-14301-01	5 - 1	6L2-15758-01-94	8 - 4	6L3-41131-00-5B	19 - 10	6L2-42613-01-4D	1 - 6	6L2-43630-01	18 - 5
	26 - 6	6L3-14301-00	5 - 1	6L2-15762-00	8 - 7	6L2-41133-A1	19 - 13	6L2-42615-00	1 - 2	6L2-43631-00	18 - 23
6J8-11325-00	2 - 12	6L2-14302-01	5 - 2	6L2-15770-00	8 - 28		26 - 17	6L2-42647-00	1 - 4	6L2-43633-10	18 - 25
6H3-11327-00-1S	2 - 13	6L3-14302-00	5 - 2	6L2-15772-00-94	8 - 35	6L2-41134-00	19 - 11	6G1-42651-71	1 - 3	6L2-43641-00	18 - 27
6H3-11328-00	2 - 14	664-14321-01	5 - 18	6L2-15774-00	8 - 33		27 - 2	6L2-42677-20	1 - 10	6L2-43657-00	18 - 21
6E5-11372-00	2 - 3	6L2-14323-00	5 - 16	6F5-15779-02	8 - 9	6L2-41212-00	15 - 23	6L3-42677-20	1 - 10	6L2-43659-00	18 - 28
676-11372-00	2 - 30	6E7-14325-00	5 - 26	6A0-15789-00	8 - 20	6L2-41213-00	15 - 4	6L2-42678-11	1 - 11	6L2-43676-00	18 - 22
6L2-11400-10	3 - 1	6L2-14341-00	5 - 12	6L2-21707-01	6 - 22	6L2-41217-00	4 - 27	6L3-42678-11	1 - 11	6L2-43682-01	18 - 8
6L2-11412-00	3 - 2	6L2-14342-30	5 - 14	6J8-21744-00	6 - 34	6H1-41237-00	6 - 18	6L2-42711-03-4D	13 - 1	6L2-44111-01-94	14 - 24
6L2-11422-00	3 - 3	30X-14343-63	5 - 13	6H1-21757-00	6 - 26	6L2-41237-00	15 - 27	6L2-42716-00	13 - 16	6J8-44116-00	15 - 33
6L2-11432-00	3 - 4	50M-14355-00	5 - 15	6L2-21758-00	6 - 24	662-41237-01	15 - 13	6L2-42719-A0	13 - 8	6L2-44121-00	15 - 22
6L2-11442-00	3 - 5	6L2-14368-00	15 - 40	6H4-21770-00	6 - 23	682-41237-50	6 - 17	6G1-42724-00	13 - 12	6L2-44122-00	15 - 15
6L2-11515-00	3 - 14	6L2-14381-00	5 - 3	6L2-21798-00	6 - 42	6L2-41238-00	15 - 28	6G1-42725-00	13 - 25	6L2-44123-00	15 - 36
6J8-11536-00	3 - 16	6L2-14383-00	5 - 3	6YK-24201-01	22 - 1	6L2-41257-00	4 - 26	6L2-42725-00	13 - 11	6L2-44124-00	14 - 34
6L2-11537-00	6 - 2	677-14383-00	5 - 20	6YK-24260-01	22 - 5	6J8-41259-00	4 - 23	6L2-42725-50	13 - 11	6L2-44125-00-94	14 - 29
6L2-11610-00	3 - 20	6L2-14384-00	5 - 4	6YL-24268-01	22 - 2	661-41262-02	4 - 24	6L2-42726-01	13 - 13	6L2-44141-01	15 - 20
6L2-11610-10	3 - 20		26 - 13	6G1-24304-02	7 - 1		8 - 34	6L2-42726-10	13 - 13	6L2-44141-10-94	15 - 21
6L2-11610-20	3 - 20		26 - 20	6YL-24306-52	22 - 8	6J8-41271-01	4 - 25	6G1-42727-00	13 - 14	6L2-44143-00	15 - 38
6L2-11631-00-97	3 - 19	6L2-14385-00	5 - 5	6H4-24311-00	7 - 4	689-41273-00	13 - 9	6L2-42738-01	13 - 21	6L2-44147-00	20 - 20
648-11633-00	3 - 21		26 - 21	6L2-24311-00	7 - 5	6J8-41274-00	13 - 10	6L2-42748-01	13 - 15	6L2-44150-00	20 - 50
6L2-11635-00	3 - 19	6E5-14386-01	5 - 6	6YL-24329-00	22 - 7	6L2-41283-00	15 - 5	6E7-42791-10	13 - 31	6L2-44150-10	20 - 50
6L2-11636-00	3 - 19		26 - 22	6E5-24376-10	6 - 35	6G1-41611-00	9 - 17	6L2-42815-01-4D	13 - 2	6E0-44191-11	17 - 22
6L2-11651-00	3 - 10	6L2-14392-00	5 - 7	677-24411-02	5 - 30	6G1-41612-00	9 - 21	6L2-42816-00	13 - 4	6L2-44311-00	20 - 9
6L2-11681-00	3 - 11		26 - 23	682-24412-01	5 - 29	695-41613-00	9 - 18	6L2-43111-04-4D	17 - 1	6L2-44322-00	20 - 11
6E5-12411-01	2 - 23	6L2-14398-00	5 - 21	6L2-24413-00	5 - 28	6L2-41631-00	15 - 6	6L2-43112-05-4D	17 - 2		27 - 15
6E5-12411-20	2 - 23		26 - 26	6A0-24421-01	5 - 24	6G1-41662-01-94	15 - 30	6J8-43113-01	17 - 14	6L2-44323-00	20 - 12
6H4-12413-00-1S	2 - 24	6L2-14399-00	5 - 11	677-24434-02	5 - 31	6G1-42111-11-4D	14 - 2	648-43114-01	17 - 8		27 - 12
6J8-12414-A0	2 - 25		26 - 24	6L2-24435-00	5 - 27	664-42119-00	14 - 12	6L2-43116-00	17 - 7	6L2-44328-00	20 - 16
	26 - 7	6L2-14417-00-94	4 - 13	677-24444-01	5 - 22	6L2-42121-02-4D	17 - 21	E0-43118-01	17 - 5	6L2-44352-00	20 - 13
6J8-13117-00	6 - 3	6L2-14418-00	4 - 20	61N-24521-00	7 - 9	6G1-42125-01	14 - 9	6J8-43131-01	17 - 9		27 - 14
6E9-13183-70	6 - 13	6L2-14476-00	4 - 14	61N-24560-00	7 - 7	6G1-42126-00	14 - 10	6E5-43145-01	23 - 9	6L2-44361-00	21 - 2
6L2-13200-00	6 - 5	6L2-14476-11	4 - 19	61N-24563-00	7 - 8	6G1-42131-01	14 - 7	6G5-43145-01	17 - 13	6L2-44361-10	21 - 2
6J8-13411-00	6 - 27	676-14485-00	4 - 6	6L2-24566-00	7 - 11	6L2-42137-00	14 - 14	6L2-43160-00	18 - 4	6L2-44365-00	17 - 33
6J8-13414-00	6 - 28	6L2-14497-00	15 - 1	6YK-24610-00	22 - 3	6G1-42138-01	14 - 20	6L2-43165-01	18 - 1	6L2-44366-00	21 - 3

NUMERICAL INDEX  
INDEX NUMERIQUE

PART NO. NO. PIECES	REF. NO.	PART NO. NO. PIECES	REF. NO.	PART NO. NO. PIECES	REF. NO.	PART NO. NO. PIECES	REF. NO.	PART NO. NO. PIECES	REF. NO.	PART NO. NO. PIECES	REF. NO.
6L2-44367-00	21 - 9	6L2-44587-00-16	20 - 31	703-48265-00	25 - 9	6G1-82117-00	11 - 7	6L2-86115-00	11 - 15	90201-30M00	17 - 28
	27 - 5	6L2-45611-00	20 - 36	703-48268-00	25 - 5	6L2-82127-00	19 - 6	682-86117-00	11 - 14	90201-50306	3 - 18
6L2-44368-00	21 - 1	6L2-45631-00	20 - 38	703-48271-00	25 - 59	6E5-82148-00	17 - 3	90101-06M16	10 - 7	90202-05M38	14 - 38
6H3-44391-01	13 - 22	648-45633-00	20 - 40	703-48281-00	25 - 30	6G1-82151-00	11 - 9	90101-08M09	17 - 39	90202-05088	6 - 20
6L2-44512-00-4D	17 - 31	648-45635-00	20 - 41	703-48282-00	25 - 31	6G5-82152-00	11 - 12	90105-06M18	17 - 20		14 - 37
6L2-44514-01	17 - 36	664-45941-01-EL	21 - 19	703-48284-00	25 - 51	6A0-82317-00	6 - 39	90105-06M23	16 - 13		15 - 18
6L2-44526-00	17 - 41	664-45943-01-EL	21 - 19	701-48287-00	25 - 41	6G1-82370-21	10 - 17	90105-08M02	21 - 8		16 - 8
6L2-44551-01-4D	17 - 43	664-45945-00-EL	21 - 19	703-48291-10	25 - 38	703-82510-33	25 - 43	90105-08M10	8 - 40	90202-06009	14 - 32
6L2-44552-01-4D	17 - 44	664-45947-01-EL	21 - 19	703-48293-10	25 - 40	703-82531-00	25 - 45	90105-10M12	21 - 5	90202-15M37	14 - 27
6L2-44553-01-4D	17 - 50	664-45949-02-EL	21 - 19	701-48310-90	24 - 2	703-82540-00	25 - 49	90109-05M33	6 - 10	90202-36M55	14 - 4
6L2-44555-00	17 - 48	664-45952-00-EL	21 - 19	701-48320-00	24 - 2	682-82556-00	13 - 27	90109-06M28	15 - 24	90206-12052	13 - 5
6L2-44557-00	17 - 49	664-45954-01-EL	21 - 19	701-48320-20	24 - 2		25 - 47	90116-10M28	17 - 23	90206-15M18	14 - 26
6L2-45111-02-4D	19 - 1	664-45970-00-98	21 - 19	701-48320-50	24 - 2	689-82560-00	10 - 20	90119-06MA3	2 - 26	90206-36M21	14 - 3
6L2-45111-12-4D	19 - 1	664-45972-00-98	21 - 19	703-48345-01	25 - 19	6E3-8257H-00	13 - 33	90119-06MA4	2 - 32	90209-24M15	3 - 13
6L2-45113-A1	2 - 34	6J8-45986-10-98	21 - 21	703-48358-00	25 - 20	689-8257Y-00	13 - 28	90119-06M04	17 - 37	90243-04M01	17 - 6
	26 - 16	6L2-45987-01	21 - 14	6J8-48511-01-4D	16 - 16	6L2-82575-00	13 - 26	90119-06M05	17 - 38	90250-05010	20 - 39
6L2-45114-A1	17 - 32	689-45997-00	21 - 15	6L2-48511-00	16 - 17	688-82575-01	25 - 46	90119-06M14	2 - 11	90254-03M04	15 - 16
6L2-45115-00	19 - 3	703-48152-00	25 - 56	6L2-48531-00	16 - 10	703-82577-00	25 - 44	90119-06M53	8 - 31		15 - 37
663-45119-00	17 - 17	703-48153-00	25 - 3	6L2-48534-01	16 - 2	688-82586-21	25 - 48	90119-06M65	6 - 41	90266-04M00	1 - 5
6L2-45123-01	19 - 12	703-48189-00	25 - 17	682-48538-50	16 - 11	6E5-82588-00	13 - 23	90119-06023	2 - 22	90266-04M04	1 - 12
6L2-45151-01-4D	19 - 2	703-48198-00	25 - 14	6L2-48544-01	16 - 1	6L2-82590-00	11 - 27	90119-08M65	2 - 10	90269-02M09	14 - 15
6L2-45214-00	21 - 10	703-48211-01	25 - 60	689-61350-02	23 - 1	703-82591-00	25 - 52	90119-08M91	2 - 21	90280-03024	20 - 27
6L2-45215-00	21 - 11	703-48212-00	25 - 57	689-61351-01	23 - 2	703-82592-00	25 - 53	90149-05M13	14 - 18		27 - 17
6L2-45300-02-4D	20 - 1	703-48213-00	25 - 58	6E5-61355-00	23 - 7	6L2-82599-01	9 - 27	90151-05M05	21 - 12	90280-05013	9 - 14
6L2-45300-12-4D	20 - 1	703-48215-00	25 - 42	6E9-81328-70	9 - 10	703-83383-02	25 - 50	90157-05M16	22 - 6	90338-05M03	13 - 17
6L2-45311-02-4D	20 - 2	703-48219-00	25 - 29	6L2-81332-00	9 - 24	6K3-83557-00	11 - 28	90157-06M06	19 - 7	90340-08002	20 - 7
6L2-45315-A0	20 - 22	703-48221-00	25 - 55	6L2-81800-20	12 - 1	6A1-83625-41	4 - 28	90159-06M11	19 - 4	90386-08032	14 - 19
	27 - 7	703-48222-00	25 - 26	682-81809-10	12 - 3	6A1-83625-51	4 - 29	90170-06015	15 - 39		18 - 7
6L2-45331-00-5B	20 - 17	703-48223-00	25 - 27	682-81810-11	12 - 5	6E0-83627-41	14 - 40	90170-09M03	23 - 5	90386-10009	16 - 3
6L2-45361-03-4D	20 - 42	703-48224-00	25 - 54	6L2-81811-20	12 - 9	6E0-83627-51	14 - 41	90171-14013	21 - 17	90386-12M45	13 - 3
664-45371-01	21 - 7	703-48225-00	25 - 28	6L2-81812-20	12 - 10	682-84381-00	13 - 30	90179-10M14	20 - 29	90386-12M72	14 - 28
6L2-45375-00	20 - 25	703-48226-00	25 - 25	682-81813-10	12 - 8	6J8-85410-00	13 - 29	90179-12M04	9 - 15	90386-15M73	14 - 25
6L2-45510-00	20 - 26	703-48227-00	25 - 24	6L2-81820-20	12 - 6	663-85518-00	9 - 13	90185-05002	21 - 13	90386-22M67	17 - 10
6L2-45510-10	20 - 26	703-48230-15	24 - 1	682-81826-10	12 - 14	6L2-85520-10	9 - 3	90185-08057	17 - 42	90386-30M60	17 - 30
6L2-45536-00	20 - 6		25 - 1	682-81830-11	12 - 12	6L2-85533-10	9 - 4	90185-09M01	23 - 4	90386-30M75	17 - 27
6L2-45551-01	20 - 28	703-48232-00	25 - 61	682-81831-00	12 - 13	61N-85537-00	9 - 12	90185-10051	16 - 18	90386-33M96	14 - 5
6L2-45560-00	20 - 32	703-48234-00	25 - 18	682-81832-20	12 - 11	6L2-85540-22	10 - 1		17 - 25	90386-34M97	14 - 6
6L2-45567-00-10	20 - 4	703-48235-00	25 - 4	6L2-81833-10	12 - 4	6L2-85542-02-94	10 - 4	90185-22043	17 - 12	90387-06M18	15 - 11
6L2-45567-00-11	20 - 4	703-48236-00	25 - 16	682-81834-10	12 - 16	6L2-85550-00	9 - 1	90201-06060	8 - 14	90387-06M51	8 - 30
6L2-45567-00-12	20 - 4	703-48238-00	25 - 22	6L2-81840-20	12 - 7	6L2-85550-10	9 - 1	90201-08M01	17 - 40	90387-06M52	13 - 19
6L2-45567-00-13	20 - 4	703-48243-00	25 - 15	682-81847-10	12 - 15	6L2-85560-10	9 - 2	90201-08M93	6 - 1	90387-10M42	23 - 6
6L2-45567-00-14	20 - 4	703-48244-00	25 - 21	6L2-81850-20	12 - 2	6L2-85561-10	9 - 11	90201-08086	2 - 8	90387-28M00	3 - 17
6L2-45571-00	20 - 33	703-48245-00	25 - 11	6G1-81941-10	11 - 1	61N-85570-00	10 - 9	90201-10M20	23 - 3	90430-08020	20 - 8
6L2-45577-00-10	20 - 35	703-48246-00	25 - 23	6L2-81945-00	11 - 3	6L2-85580-10	9 - 5	90201-10M63	23 - 8		27 - 3
6L2-45577-00-11	20 - 35	701-48248-00	25 - 13	6G1-81952-00	11 - 2	6L2-85580-20	9 - 6	90201-13M42	9 - 16	90445-07M04	6 - 14
6L2-45577-00-12	20 - 35	703-48252-00	25 - 12	6J8-81960-00	10 - 21	6L2-85720-01	6 - 45	90201-18522	3 - 24	90445-07M15	2 - 4
6L2-45577-00-13	20 - 35	703-48261-11	25 - 2	6G1-81970-61	11 - 8	6L2-86111-00	11 - 13	90201-20417	20 - 34	90445-07M16	6 - 16
6L2-45587-00-15	20 - 31	703-48264-00	25 - 6	6G1-82105-01	11 - 6	6L2-86112-00	11 - 21	90201-22M03	17 - 11	90445-07M32	6 - 11

NUMERICAL INDEX  
INDEX NUMERIQUE

PART NO. NO. PIECES	REF. NO.	PART NO. NO. PIECES	REF. NO.	PART NO. NO. PIECES	REF. NO.	PART NO. NO. PIECES	REF. NO.	PART NO. NO. PIECES	REF. NO.	PART NO. NO. PIECES	REF. NO.
90445-09012	4 - 10	92990-05600	4 - 4	93102-25142	3 - 26	95380-05700	6 - 19	97095-06020	19 - 14		
90445-10M40	2 - 33		4 - 22		26 - 2		15 - 29		20 - 23		
90445-11M03	6 - 32		11 - 11	93102-26M27	3 - 7	95380-06600	20 - 51		20 - 47		
90445-11M07	6 - 33		11 - 17		26 - 10		25 - 39	97095-06025	8 - 23		
90446-10M02	6 - 38	92990-06600	18 - 3	93210-03261	11 - 24	95380-06700	14 - 36	97095-06035	8 - 21		
90464-08M07	10 - 12	92990-08600	25 - 33	93210-13M04	6 - 4		15 - 3	97095-06040	20 - 14		
90464-11M24	6 - 37	92990-10600	16 - 19	93210-16275	23 - 10	95380-08600	7 - 13		27 - 16		
90465-06M86	10 - 14	92990-14200	21 - 16	93210-19M82	6 - 8		17 - 54	97095-06075	15 - 9		
90467-06016	2 - 5	92995-05600	9 - 23	93210-29375	17 - 29	95617-08645	2 - 7	97095-08045	17 - 51		
90467-08004	4 - 11		9 - 26	93210-32738	7 - 10	95780-06300	13 - 7	97095-08070	17 - 53		
	6 - 30		18 - 10		26 - 15	95780-08300	16 - 4	97095-08085	17 - 46		
	7 - 6	92995-06100	10 - 11	93210-35M86	4 - 15	95895-06016	13 - 24	97380-05025	25 - 8		
90467-10M04	6 - 36		10 - 16	93210-42159	3 - 8	95895-06020	13 - 20	97380-08030	25 - 32		
90467-11M08	6 - 31		10 - 19		26 - 11	97013-05012	4 - 16	97513-05518	6 - 9		
90468-05M03	6 - 21		11 - 5	93210-45161	20 - 10	97013-05016	15 - 25	97513-06585	4 - 18		
	14 - 39		11 - 23		27 - 4	97013-06014	7 - 12	97607-04112	9 - 7		
90468-07M02	6 - 12		11 - 26		27 - 13	97013-06016	2 - 15	97607-06125	9 - 8		
	6 - 15	92995-06600	1 - 8	93210-56M80	3 - 28	97013-06020	8 - 36	97802-04006	9 - 9		
90480-10155	11 - 18		3 - 30		26 - 4		15 - 31	97880-04008	11 - 19		
90480-15M31	13 - 18		6 - 44	93210-60MA3	20 - 44	97013-06025	4 - 8	97880-04010	5 - 8		
90480-25161	10 - 13		7 - 3		27 - 8		8 - 15	97880-05008	11 - 16		
90501-10065	20 - 37		8 - 6	93210-60M99	20 - 49	97013-08025	12 - 17	97880-05016	4 - 3		
90501-10227	8 - 27		8 - 22		27 - 10	97075-06030	10 - 5		4 - 21		
90501-23215	14 - 16		8 - 24	93306-00612	20 - 43	97075-08030	19 - 8	97880-05025	11 - 10		
90506-20M27	18 - 13		9 - 20	93306-305U3	3 - 9	97075-10040	16 - 20	97880-06035	13 - 6		
90506-23M11	18 - 35		10 - 3	93310-424WV9	3 - 12	97090-06010	18 - 2	97885-05010	9 - 22		
90508-12M28	18 - 18		10 - 6	93311-632U7	3 - 6	97095-05010	18 - 9		9 - 25		
90508-12M29	18 - 19		10 - 23	93315-220V9	20 - 5	97095-06008	15 - 41	97885-05012	14 - 22		
90510-08M04	8 - 12		14 - 31	93315-22004	20 - 18	97095-06012	9 - 19	97885-06008	17 - 4		
91490-16010	14 - 11		15 - 10		20 - 45		10 - 15	97980-04112	5 - 19		
91490-20010	14 - 33		15 - 35	93332-00005	20 - 3		10 - 18		26 - 25		
	15 - 19		17 - 35	93341-320U0	20 - 30		11 - 4	98580-03015	25 - 37		
	16 - 9		19 - 15	93430-06M02	8 - 18		11 - 22	98580-04006	25 - 35		
91490-30022	21 - 18		20 - 15	93430-06024	25 - 10		11 - 25	98580-04010	25 - 34		
91690-30010	3 - 15		20 - 24	93450-20026	3 - 23		15 - 34	98580-05010	25 - 36		
91690-30012	16 - 12		20 - 48	93602-18M12	3 - 22	97095-06016	1 - 7	98980-04006	5 - 23		
91690-40014	8 - 3	92995-08600	17 - 47	93604-12M07	2 - 6		3 - 29	99080-05600	18 - 12		
92900-04100	5 - 9		17 - 52		17 - 45		6 - 43		18 - 16		
92903-05600	4 - 17		17 - 55		19 - 5		8 - 5		18 - 29		
	15 - 26		19 - 9		20 - 21		10 - 22		18 - 32		
92903-06600	2 - 16	92995-10600	17 - 24		21 - 4	97095-06020	7 - 2	99530-10014	8 - 25		
	4 - 9		21 - 6	93700-06M03	17 - 16		8 - 38				
	8 - 37	93101-13M37	3 - 27	94702-00271	2 - 35		10 - 2				
	10 - 8		26 - 3	95303-06700	8 - 16		10 - 10				
	15 - 32	93101-20M07	20 - 46	95333-08600	2 - 9		14 - 8				
92903-08600	12 - 18		27 - 9	95380-03600	5 - 25		14 - 30				
92903-10600	14 - 17	93101-20048	20 - 19	95380-05600	15 - 14		15 - 2				
92990-04600	11 - 20		27 - 6		25 - 7		17 - 34				

20D/25N  
PARTS CATALOGUE  
E2001 by Yamaha Motor Co., Ltd.  
1st Edition, Nov. 2001  
All rights reserved.  
Any reprinting or unauthorized use  
without the written permission of  
Yamaha Motor Co., Ltd.  
is expressly prohibited.

20D/25N  
CATALOGUE DE PIÈCES DÉTACHÉES  
E2001 Yamaha Motor Co., Ltd.  
1ère Edition, Nov. 2001  
Tous droits réservés.  
Toute réimpression ou utilisation  
sans la permission écrite de la  
Yamaha Motor Co., Ltd.  
est formellement interdite.