

**PARTS  
CATALOGUE  
CATALOGUE  
DE PIÈCES DÉTACHÉES**

**225DETO'03(64F2)**

---

2B64F-300F1

**YAMAHA**  
**GENUINE**  
Parts & Accessories

A1

# FOREWORD

This Parts Catalogue is related to the parts for the model(s) in the below frame. When you are ordering replacement parts, please refer to this Parts Catalogue and quote both part numbers and part names correctly.

225DETO'03(64F2)

1. Modifications or additions which have been made after issue of the Parts Catalogue will be announced in the Yamaha Parts News.  
It is advisable that you make necessary corrections to the Parts Catalogue according to the Yamaha Parts News.

2. Abbreviations

The Following abbreviations are used in this Parts Catalogue.

“UR” Use specified parts number.

“UN” Use as many as needed.

“AP” Alternate Parts

“LM” Local Made  
(Parts need to be ordered locally)

“O/S” Over Size

“SWS” Salt Water Series

3. Parts, which are to be supplied in an assembly, are listed with a dot(.) in front of the part name as shown below.

EXAMPLE

CARBURETOR ASSY

.JET, PILOT

.NOZZLE, MAIN

4. Number of component for assembly

The numeral appearing to the right of each component part indicates the quantity of parts for each assembly unit.

EXAMPLE

PART NO.	DESCRIPTION	ω	⊕	⊖	REMARKS
6E0-85500-70	C.D.I. MAGNETO ASSY	1			
6E0-85550-70	.ROTOR ASSY	1			
6E0-15723-00-94.	PULLY, STARTER	1			

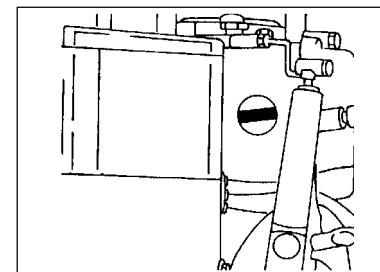
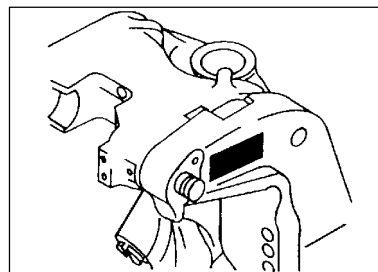
5. Quantity Column Information

NAME for Q'TY COLUMN	APPLICABLE MODEL
225D	225DETO

6. Applicable Starting Serial No. and Color Code

1) Engine Starting Serial No.

225DETO L/X 6K7 : 1000001



2) Color Code

Color Code	Color Name	Abbreviation
004D	DARK BLUISH GRAY METALLIC 2	DBNM2

7. Note that the illustrations for reference in finding parts numbers, not to be used for assembling. When assembling, please use the applicable service manual.
8. The asterisk (\*) before a reference number indicates modification items after the first edition.

# CONTENTS

## SHEET 1/2

TOP COWLING .....	A4
CYLINDER. CRANKCASE 1 .....	A5
CRANKSHAFT. PISTON .....	A7
CYLINDER. CRANKCASE 2 .....	B2
INTAKE .....	B3
CARBURETOR .....	B5
OIL PUMP .....	B7
OIL TANK .....	C2
FUEL 1 .....	C4
FUEL 2 .....	C6
GENERATOR .....	C7
ELECTRICAL 1 .....	D1
ELECTRICAL 2 .....	D3
STARTING MOTOR .....	D5
BOTTOM COWLING .....	D7
CONTROL .....	E2
BRACKET 1 .....	E5
BRACKET 2 .....	E7
POWER TRIM & TILT ASSY 1 .....	F2
POWER TRIM & TILT ASSY 2 .....	F4
UPPER CASING .....	F6

## INDEX

NUMERICAL INDEX .....	G1
-----------------------	----

## SHEET 2/2

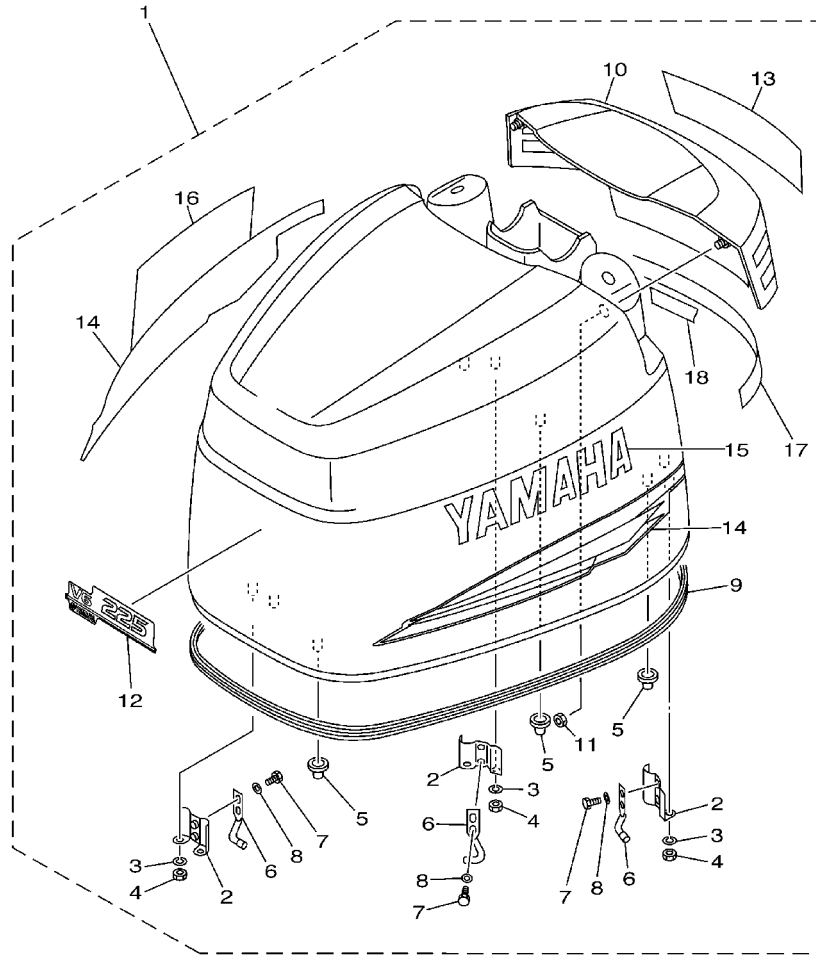
LOWER CASING. DRIVE 1 .....	A4*
LOWER CASING. DRIVE 2 .....	B1*
STEERING GUIDE .....	B3*
REMOTE CONTROL BOX .....	B4*
REMOTE CONTROL ASSY .....	B5*
METER .....	C1*
REPAIR KIT 1 .....	C2*
REPAIR KIT 2 .....	C4*

## INDEX

NUMERICAL INDEX .....	G1*
-----------------------	-----

FIG. 1 TOP COWLING

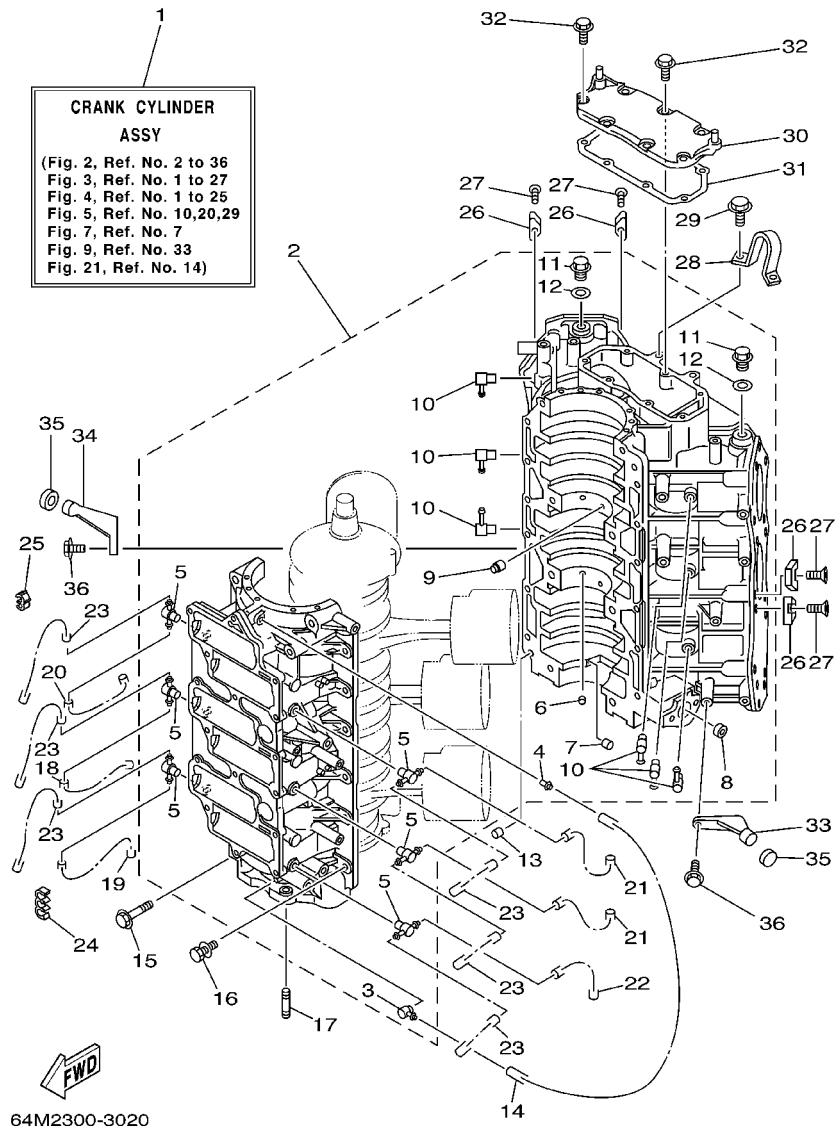
CAPOT SUPERIEUR



64F1664-2010

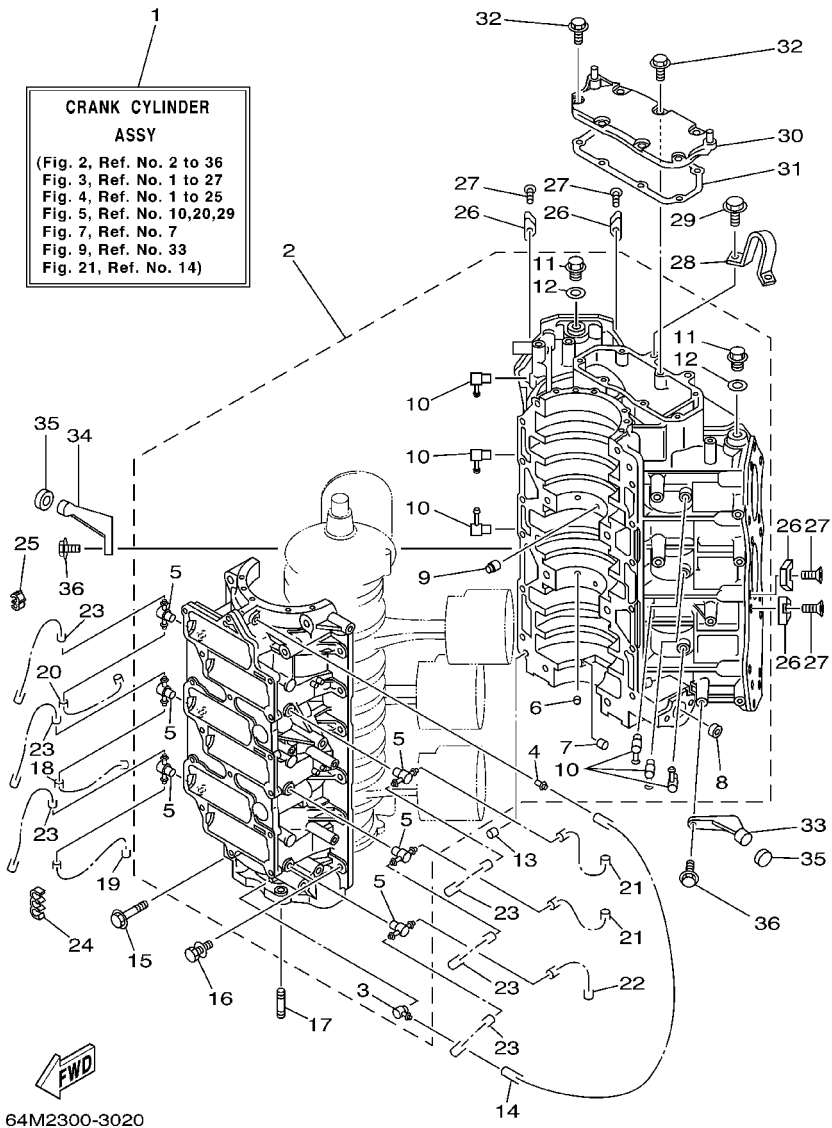
REF. NO.	PART NO. NO. PIECES	DESCRIPTION DESCRIPTION	225D				REMARKS REMARQUES
1	64F-42610-50-4D	TOP COWLING ASSY CAPOT (ENS.)	1				
2	6R3-42647-00	.HOLDER, CLAMP BAND .SUPPORT, SANDOW DE SERRAGE	3				
3	92990-06100	.WASHER, SPRING .RONDELLE, GROWER	6				
4	95380-06600	.NUT, HEXAGON ECROU	6				
5	64D-42662-00	.DAMPER AMORTISSEUR	3				
6	64D-42814-00	.HOOK, CLAMP .CROCHET DE BRIDE	3				
7	97095-06012	.BOLT .BOULON	6				
8	92995-06600	.WASHER .RONDELLE	6				
9	64D-42615-00	.SEAL .JOINT	1				
10	64D-42613-00-4D	.MOLDING, AIR DUCT .MANCHON A AIR	1				
11	90179-06M24	.NUT ECROU	4				
12	64F-42677-50	.GRAPHIC, FRONT .ADHESIF, AVANT	1				
13	64F-42687-30	.EMBLEM, REAR .EMBLEME, ARRIERE	1				
14	64D-W0070-30	.GRAPHIC SET .JEU DIEMBLEMES	1				
15	64C-42681-30	.MARK, COWLING .ADHESIF, CAPOT	1				
16	64C-42682-30	.MARK, COWLING .ADHESIF, CAPOT	1				
17	64D-4267A-30	.GRAPHIC, REAR 2 .ADHESIF, ARRIERE 2	1				
18	64D-42678-30	.GRAPHIC, REAR .ADHESIF, ARRIERE	1				

FIG. 2 CYLINDER. CRANKCASE 1 CYLINDRE. CARTER 1



REF. NO.	PART NO. NO. PIECES	DESCRIPTION DESCRIPTION	225D				REMARKS REMARQUES
1	64F-W0090-13-1S	CRANK CYLINDER ASSY EMBIELLAGE CYLINDRE (ENS.)	1				
2	64F-15100-00-1S	CRANKCASE ASSY CARTER DE MOTEUR COMPLET	1				
3	6E5-11372-01	.NIPPLE, HOSE .RACCORD, TUYAU	1				
4	624-14485-00	.PIPE, JOINT .DURITE	1				
5	6F6-11372-00	.NIPPLE, HOSE .RACCORD, TUYAU	6				
6	624-11379-00	.VALVE, CHECK .CLAPET	2				
7	90384-06M07	.BUSH, BIMETAL FORMED .DOUILLE, BIMETAL MISE EN FORM	1				
8	90384-14M09	.BUSH, BIMETAL FORMED .DOUILLE, BIMETAL MISE EN FORM	1				
9	663-11518-01	.LOCK, BEARING .CENTREUR, ROULEMENT	2				
10	646-11370-01	.CHECK VALVE ASSY .CLAPET (ENS.)	6				
11	90340-14M00	.PLUG, STRAIGHT SCREW .PLOT, FILETE DROIT	2				
12	90430-14115	.GASKET .JOINT	2				
13	93608-12063	PIN, DOWEL AXE	2				
14	90445-07M10	HOSE (L510) DURITE (L510)	1				
15	90105-10M20	BOLT, FLANGE BOULON	8				
16	90119-08M94	BOLT, WITH WASHER BOULON, AVEC RONDELLE	12				
17	90116-08M45	BOLT, STUD GOUJON	2				
18	90445-07M11	HOSE (L610) DURITE (L610)	1				
19	90445-07M09	HOSE (L380) DURITE (L380)	1				
20	90445-07M12	HOSE (L300) DURITE (L300)	1				
21	90445-07M08	HOSE (L220) DURITE (L220)	2				
22	90445-07M90	HOSE (L390) DURITE (L390)	1				
23	90445-07M34	HOSE (L260) DURITE (L260)	6				
24	90464-07M05	CLAMP BRIDE	1				
25	90464-07M20	CLAMP BRIDE	1				
26	6E5-11325-00	.ANODE ANODE	8				
27	98780-04015	SCREW, FLAT HEAD VIS A TETE FRAISEE	8				

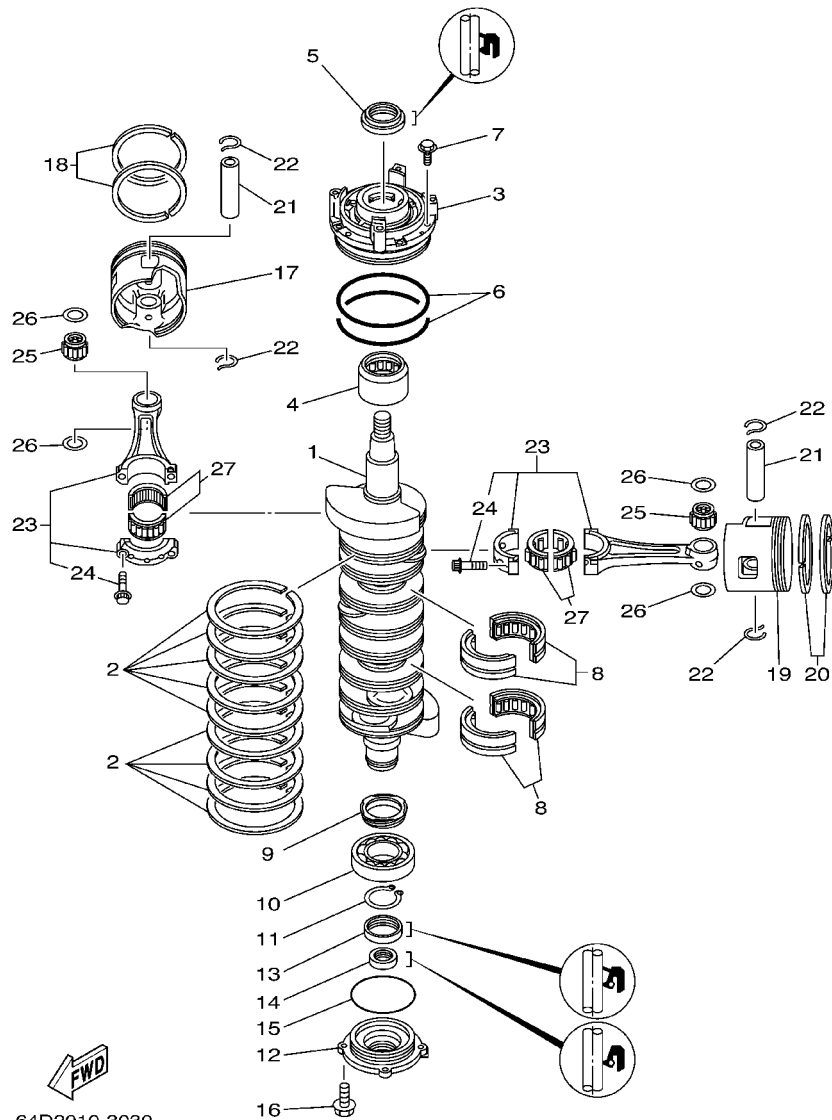
FIG. 2 CYLINDER. CRANKCASE 1 CYLINDRE. CARTER 1



REF. NO.	PART NO. NO. PIECES	DESCRIPTION DESCRIPTION	225D				REMARKS REMARQUES
28	67H-11119-01	HANGER, ENGINE ANNEAU, LEVAGE	1				
29	90119-08MA3	BOLT, WITH WASHER BOULON, AVEC RONDELLE	2				
30	6K7-11371-01-1S	COVER COUVERCLE	1				
31	6E5-11381-A2	GASKET 1 JOINT 1	1				
32	90119-06MA2	BOLT, WITH WASHER BOULON, AVEC RONDELLE	7				
33	6E5-42761-00-1S	STOPPER PLAQUETTE	1				
34	6E5-42762-00-1S	STOPPER PLAQUETTE	1				
35	68F-44533-00	DAMPER, UPPER MOUNT RUBBER COUVERCLE, SUSPENSION INFERIEU	2				
36	90119-06MA2	BOLT, WITH WASHER BOULON, AVEC RONDELLE	4				

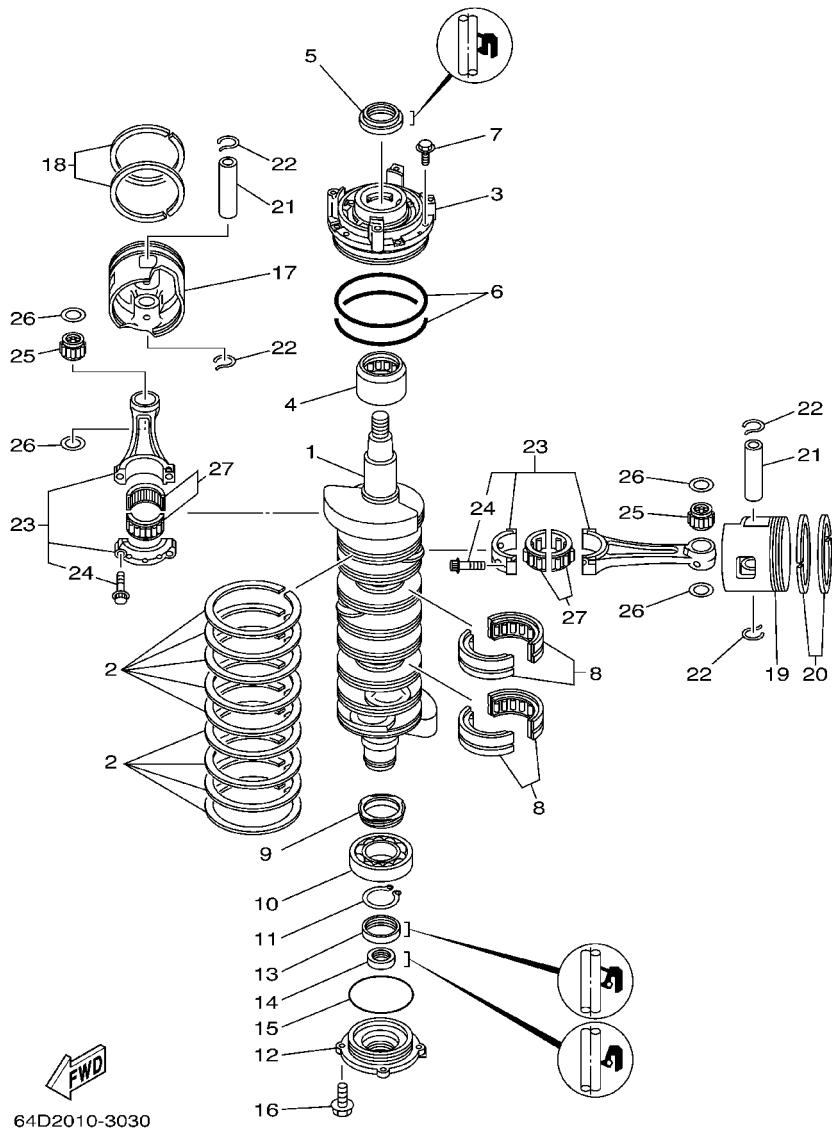
FIG. 3 CRANKSHAFT. PISTON

VILEBREQUIN. PISTON



64D2010-3030

REF. NO.	PART NO. NO. PIECES	DESCRIPTION DESCRIPTION	225D				REMARKS REMARQUES
1	6G5-11411-02	CRANKSHAFT VILEBREQUIN COMPLET	1				
2	6E5-11447-00	SEAL, CRANK JOINT, VILEBREQUIN	9				
3	6R3-15163-00-1S	HOUSING, BEARING 1 LOGEMENT, ROULEMENT 1	1				
4	93311-940U3	BALL BEARING ROULEMENT	1				
5	93102-40M14	OIL SEAL JOINT SPY	1				
6	93211-04001	O-RING JOINT TORIQUE	2				
7	90119-06MA2	BOLT, WITH WASHER BOULON, AVEC RONDELLE	3				
8	93310-954U1	BEARING ROULEMENT	2				
9	6R3-11536-00	GEAR, DRIVE ENGRENAGE, MENANT	1				
10	93306-208U0	BEARING ROULEMENT	1				
11	93410-40M03	CIRCLIP CLIPS	1				
12	6G5-15359-00-94	HOUSING, OIL SEAL LOGEMENT, BAGUE D'ETANCHEITE	1				
13	93102-35M13	OIL SEAL JOINT SPY	1				
14	93101-22M15	OIL SEAL JOINT SPY	1				
15	93210-74M35	O-RING JOINT TORIQUE	1				
16	90119-06MA2	BOLT, WITH WASHER BOULON, AVEC RONDELLE	4				
17	64D-11631-02-90	PISTON (STD)	3				
	64D-11635-02	PISTON (0.25MM O/S)	3				AP
	64D-11636-02	PISTON (0.50MM O/S)	3				AP
18	64D-11603-01	PISTON RING SET (STD) JEU DE SEGMENTS (STD)	3				
	64D-11604-01	PISTON RING SET (0.25MM O/S) JUE DE SEGMENTS (0.25MM O/S)	3				AP
	64D-11605-01	PISTON RING SET (0.50MM O/S) JEU DE SEGMENTS (0.50MM O/S)	3				AP
19	64D-11642-02-90	PISTON 2 (STD)	3				
	64D-11645-02	PISTON 2 (0.25MM O/S)	3				AP
	64D-11646-02	PISTON 2 (0.50MM O/S)	3				AP
20	64D-11603-01	PISTON RING SET (STD) JEU DE SEGMENTS (STD)	3				
	64D-11604-01	PISTON RING SET (0.25MM O/S) JUE DE SEGMENTS (0.25MM O/S)	3				AP



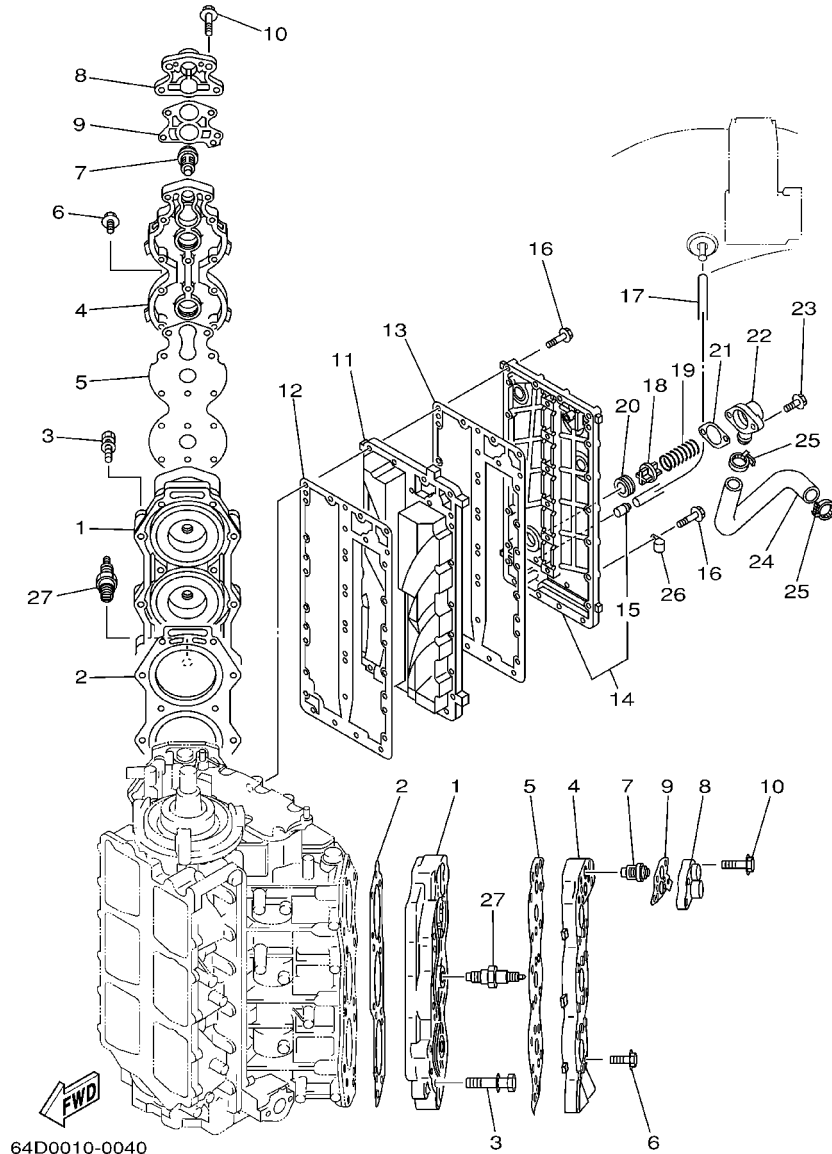
64D2010-3030

FIG. 3 CRANKSHAFT. PISTON VILEBREQUIN. PISTON

REF. NO.	PART NO. NO. PIECES	DESCRIPTION DESCRIPTION	225D			REMARKS REMARQUES
20	64D-11605-01	PISTON RING SET (0.50MM O/S) JEU DE SEGMENTS (0.50MM O/S)	3			AP
21	6R5-11633-10	PIN, PISTON AXE, PISTON	6			
22	6R5-11634-10	CLIP, PISTON PIN AGRAFE, AXE DE PISTON	12			
23	6R5-11650-10	CONNECTING ROD ASSY BIELLE COMPLETE	6			
24	90109-08022	.BOLT .BOULON	2			
25	93310-323V6	BEARING ROULEMENT	6			
26	90201-23M01	WASHER, PLATE RONDELLE, PLATE	12			
27	93310-836V2	BEARING ROULEMENT	6			



FIG. 4 CYLINDER. CRANKCASE 2 CYLINDRE. CARTER 2



REF. NO.	PART NO. NO. PIECES	DESCRIPTION DESCRIPTION	225D				REMARKS REMARQUES
1	64E-11111-00-1S	HEAD, CYLINDER 1 CULASSE	2				
2	6G5-11181-A2	GASKET, CYLINDER HEAD 1 JOINT, DE CULASSE 1	2				
3	90119-08MA8	BOLT, WITH WASHER BOULON, AVEC RONDELLE	28				
4	6G5-11191-00-1S	COVER, CYLINDER HEAD 1 COUVERCLE, CULASSE 1	2				
5	6G5-11193-A0	GASKET, HEAD COVER 1 JOINT, COUVERCLE DE CULASSE 1	2				
6	90119-06MA4	BOLT, WITH WASHER BOULON, AVEC RONDELLE	36				
7	6E5-12411-30	THERMOSTAT THERMOSTAT	2				
8	688-12413-00-1S	COVER, THERMOSTAT COUVERCLE, THERMOSTAT	2				
9	688-12414-A1	GASKET, COVER JOINT, COUVERCLE	2				
10	90119-06MA6	BOLT, WITH WASHER BOULON, AVEC RONDELLE	8				
11	64D-41111-00-1S	INNER COVER, EXHAUST PLAQUE, ECHAPPEMENT	1				
12	6G5-41112-A1	GASKET, EXHAUST INNER COVER JOINT, PLAQUE D'ECHAPPEMENT	1				
13	6G5-41114-A0	GASKET, EXHAUST OUTER COVER JOINT, COUVERCLE D'ECHAPPEMENT	1				
14	6R3-41113-00-1S	OUTER COVER, EXHAUST COUVERCLE, ECHAPPEMENT	1				
15	650-24378-00	.PIPE, JOINT 4 .DURITE RACCORDEMENT 4	1				
16	90119-06MA5	BOLT, WITH WASHER BOULON, AVEC RONDELLE	29				
17	90445-09097	HOSE DURITE	1				
18	6G5-12416-00	VALVE, PRESSURE CONTROL SOUPAPE DE CONTROLEUR PRESS	1				
19	90501-16M11	SPRING, COMPRESSION RESSORT, COMPRESSION	1				
20	90480-20M05	GROMMET PASSE-FIL	1				
21	6G5-11382-A1	GASKET 2 JOINT 2	1				
22	6G5-11372-00-1S	COVER, BYPASS 2 CONVERCLE	1				
23	90119-06MA2	BOLT, WITH WASHER BOULON, AVEC RONDELLE	2				
24	6G5-12576-00	HOSE 1 TUYAU 1	1				
25	90465-13M18	CLAMP BRIDE	2				
26	90465-06M86	CLAMP BRIDE	2				
27	94702-00247	PLUG, SPARK (NGK BR8HS-10) BOUGIE D'ALLUMAGE(NGK BR8HS-10)	6				

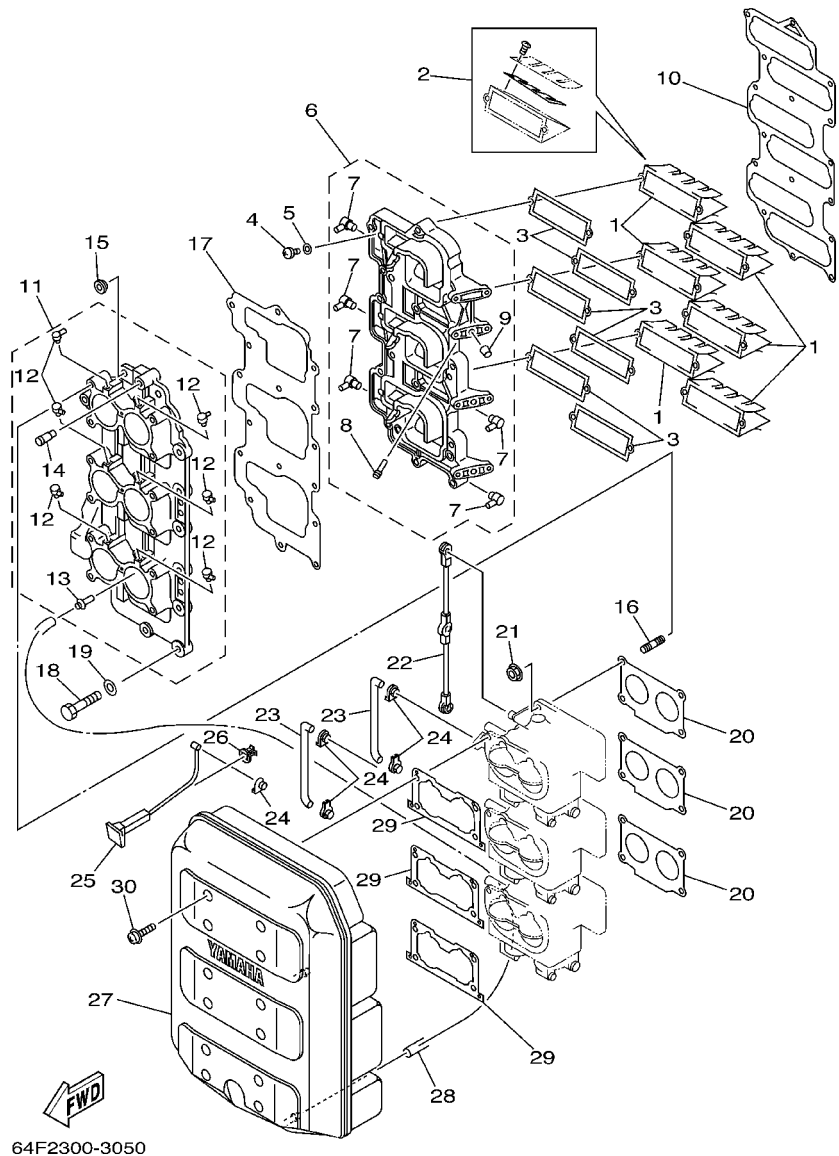
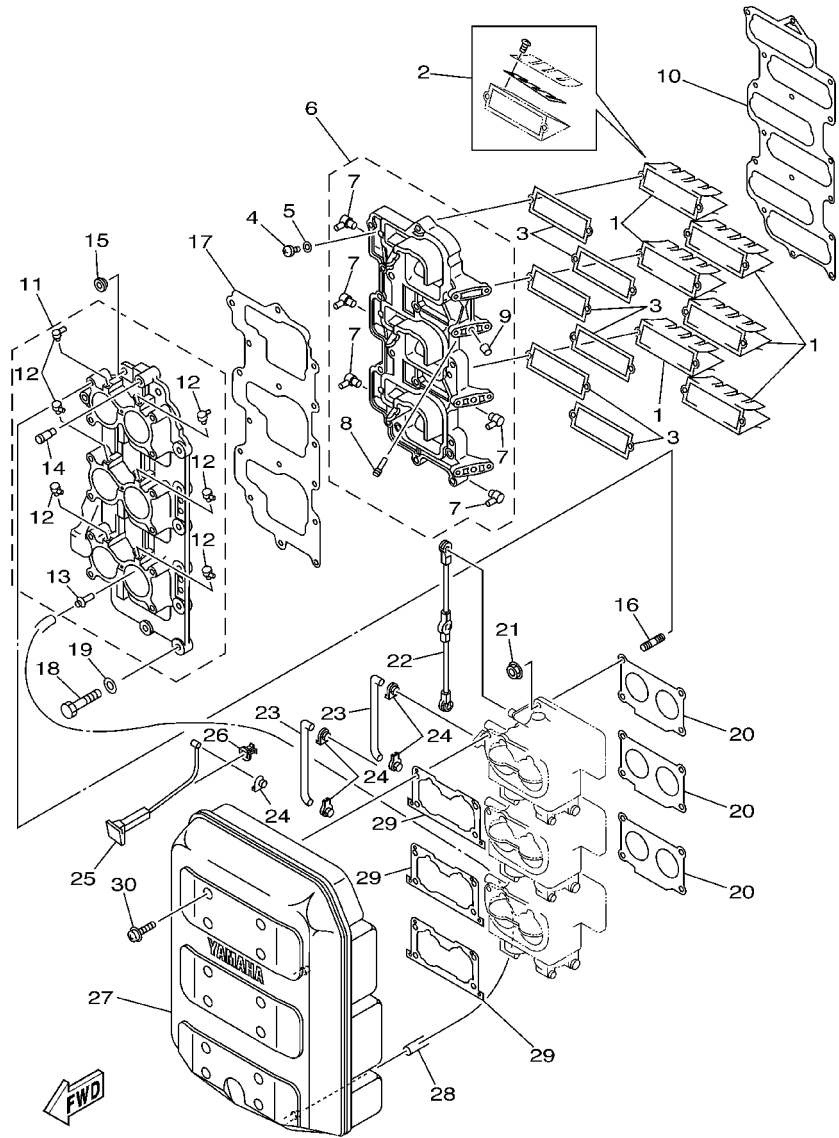


FIG. 5 INTAKE

ADMISSION

REF. NO.	PART NO. NO. PIECES	DESCRIPTION DESCRIPTION	225D				REMARKS REMARQUES
1	6K7-13610-00	REED VALVE ASSY CLAPET COMPLET	6				
2	6E5-W0004-00	.REED SET .JEU DE CLAPETS	1				
3	6K7-13621-A1	GASKET, VALVE SEAT JOINT, SIEGE DE CLAPET	6				
4	97880-05016	SCREW, PAN HEAD VIS, TETE TRONCONIQUE	12				
5	92990-05600	WASHER, PLATE RONDELLE, PLATE	12				
6	64E-13624-00-1S	PLATE, REED VALVE PLAQUE DE CLAPET	1				
7	688-11372-01	.NIPPLE, HOSE .RACCORD, TUYAU	5				
8	6R5-14485-00	.PIPE, JOINT .DURITE	1				
9	90336-08M06	.PLUG, TAPER .PLOT, CONIQUE	1				
10	6K7-13646-A2	GASKET, MANIFOLD 2 JOINT, TUBULURE 2	1				
11	64E-13641-00-1S	MANIFOLD 1 TUBULURE 1	1				
12	6E5-13552-01	.NOZZLE .GICLEUR	6				
13	624-14485-00	.PIPE, JOINT .DURITE	1				
14	6K7-81338-01	.CLAMP, LEAD .COLLIER, FIL	1				
15	90480-10M28	GROMMET PASSE-FIL	6				
16	90116-06M30	BOLT, STUD GOUJON	12				
17	64E-13645-A0	GASKET, MANIFOLD 1 JOINT, TUBULURE 1	1				
18	97013-06050	BOLT BOULON	16				
19	92903-06600	WASHER, PLATE RONDELLE, PLATE	16				
20	6E5-14198-A2	GASKET JOINT	3				
21	90179-06M28	NUT ECROU	12				
22	6G5-41217-01	ROD, ACCEL. LEVER TIGE, LEVIER ACCELERATION	1				
23	6E5-41256-01	ROD, CHOKE 1 TRINGLE 1, STARTER	2				
24	661-41262-02	JOINT, CHOKE LEVER RACCORD, LEVIER DE STARTER	5				
25	61H-41271-10	KNOB, CHOKE BOUTON DE STARTER	1				
26	689-41273-00	GROMMET PASSE-FIL	1				
27	64D-14440-00	SILENCER ASSY, INTAKE SIENCIEUX D'ADMISSION	1				



64F2300-3050

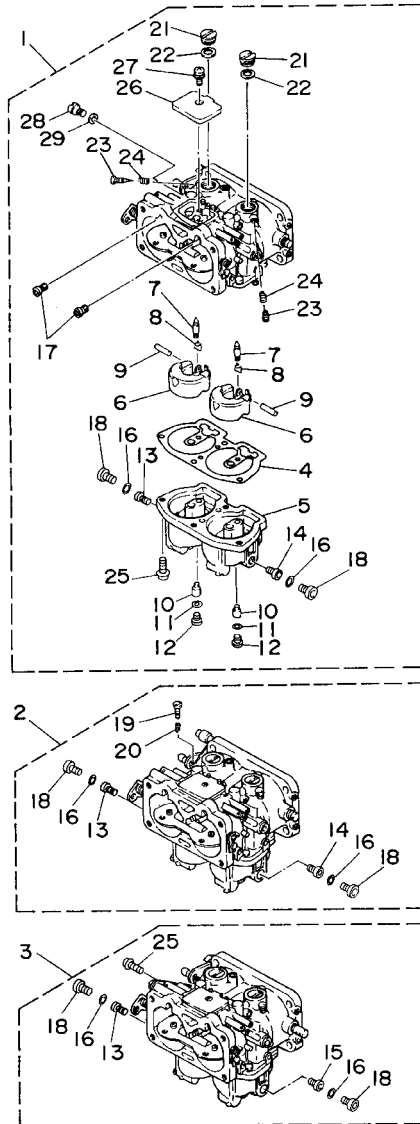
FIG. 5 INTAKE

ADMISSION

REF. NO.	PART NO. NO. PIECES	DESCRIPTION DESCRIPTION	225D				REMARKS REMARQUES
28	90445-07MA3	HOSE (L200) DURITE (L200)	1				
29	6K7-14483-00	GASKET JOINT	3				
30	90159-06M08	SCREW, WITH WASHER VIS, AVEC RONDELLE	12				
-----							
-----							
-----							
-----							
-----							
-----							
-----							
-----							
-----							
-----							

FIG. 6 CARBURETOR

CARBUREATEUR



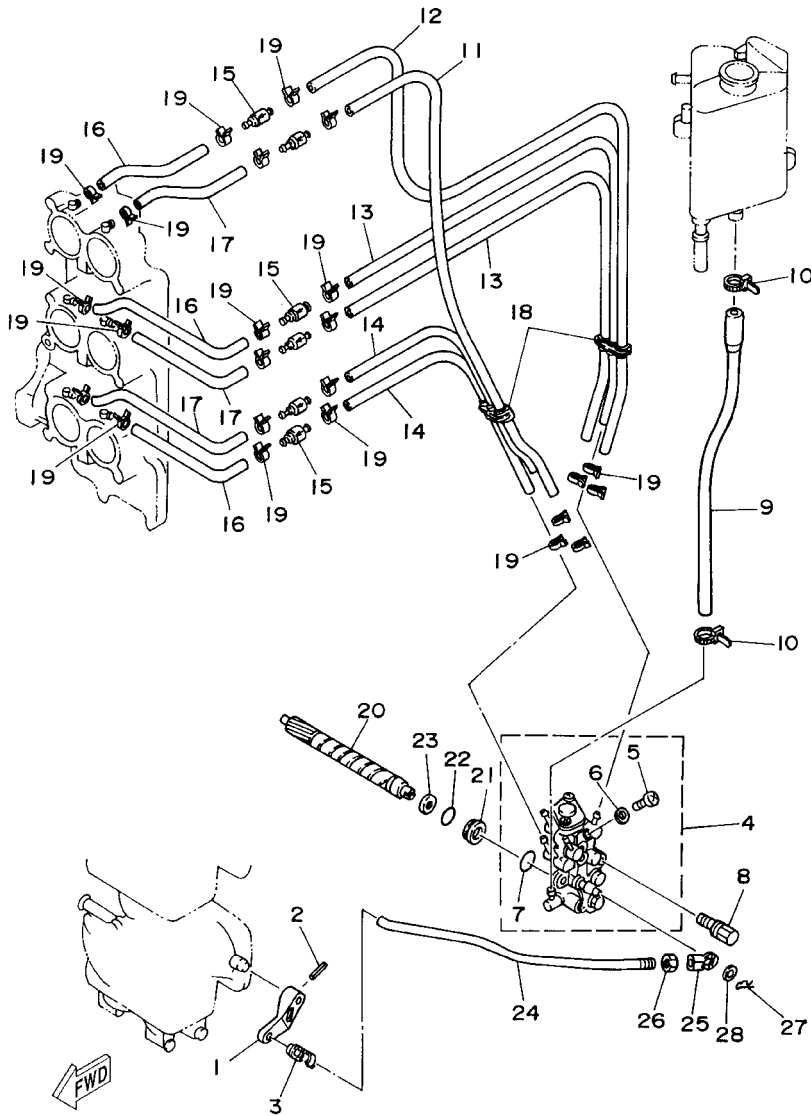
64F0010-6060

REF. NO.	PART NO. NO. PIECES	DESCRIPTION DESCRIPTION	225D				REMARKS REMARQUES
1	64F-14301-01	CARBURETOR ASSY 1 CARBURATEUR COMPLET 1	1				
2	64F-14302-01	CARBURETOR ASSY 2 CARBURATEUR COMPLET 2	1				
3	64F-14303-01	CARBURETOR ASSY 3 CARBURATEUR COMPLET 3	1				
4	64D-14384-01	.GASKET, FLOAT CHAMBER .JOINT, CUVE DE FLOTTEUR	3				
5	64D-14381-00	.BODY, FLOAT CHAMBER .CORPS, CUVE DE FLOTTEUR	3				
6	6E5-14385-02	.FLOAT .FLOTTEUR	6				
7	6E5-14546-00	.VALVE, NEEDLE .POINTEAU	6				
8	6E5-14159-00	.CLIP .JONC	6				
9	6E5-14386-02	.PIN, FLOAT .AXE, FLOTTEUR	6				
10	64D-1492F-40	.JET, AIR SLOW (#80) .GICLÉUR, AIR (#80)	6				
11	61U-14959-00	.GASKET .JOINT	6				
12	64D-14394-00	.VALVE, DRAIN .SOUPAPE, VIDANGE	6				
13	64D-1492E-75	.JET, MAIN (#150) .GICLÉUR PRINCIPAL (#150)	3				
14	64D-1492E-77	.JET, MAIN (#154) .GICLÉUR PRINCIPAL (#154)	2				
15	64D-1492E-79	.JET, MAIN (#158) .GICLÉUR PRINCIPAL (#158)	1				
16	6E5-14398-01	.GASKET .JOINT	6				
17	61A-1492H-12	.JET, SLOW AIR BLEED (#60) .GICLÉUR, AIR (#60)	6				
18	61A-14383-01	.SCREW, DRAIN BOUCHON, PURGE	6				
19	6E5-14321-00	.SCREW, THROTTLE VIS, ACCELERATEUR	1				#2
20	6J8-14334-00	.SPRING, THROTTLE .RESSORT, ACCELERATEUR	1				#2
21	6E5-14328-01	.PLUG .PLOT	6				
22	6E5-14979-00	.GASKET .JOINT	6				
23	6E5-14323-03	.SCREW, AIR ADJUSTING .VIS DE DOSEUR D'AIR	6				
24	6E5-14223-00	.SPRING, AIR ADJUSTING .RESSORT, DOSAGE DE L'AIR	6				
25	97980-05116	.SCREW, WITH WASHER .VIS, AVEC RONDELLE	13				
26	6E5-14527-01	.PLATE .PLAQUE	3				
27	97980-05108	.SCREW, WITH WASHER .VIS, AVEC RONDELLE	3				



FIG. 7 OIL PUMP

POMPE A HUILE



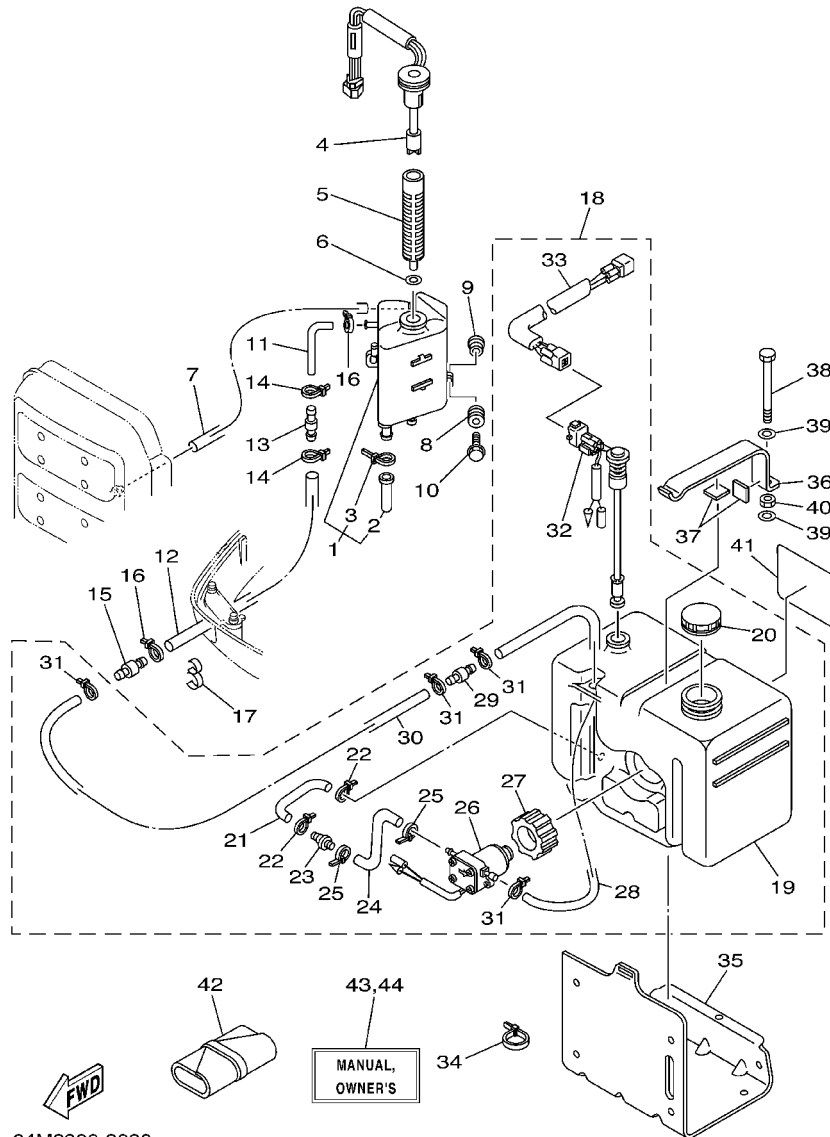
64F0010-6070

REF. NO.	PART NO. NO. PIECES	DESCRIPTION DESCRIPTION	225D				REMARKS REMARQUES
1	6E5-14276-01	LEVER LEVIER	1				
2	91690-30016	PIN, SPRING AGRAFFE	1				
3	6R5-41237-00	JOINT, LINK RACCORD	1				
4	6R5-13200-10	OIL INJECTION PUMP ASSY POMPE A HUILE COMPLET	1				
5	6R3-13471-00	.PLUG, DRAIN .PLOT_VIDANGE	1				
6	6L2-13475-00	.GASKET .JOINT	1				
7	93210-19MA7	.O-RING .JOINT TORIQUE	1				
8	90109-06M40	BOLT BOULON	2				
9	6R3-13416-00	PIPE, OIL 1 DURITE A HUILE	1				
10	90465-11M10	CLAMP BRIDE	2				
11	90445-07M77	HOSE (L350) DURITE (L350)	1				
12	90445-07M85	HOSE (L330) DURITE (L330)	1				
13	90445-07M72	HOSE (L250) DURITE (L250)	2				
14	90445-07196	HOSE (L160) DURITE (L160)	2				
15	6R3-13183-10	VALVE, CHECK S'OUPAPE DE RATANUE	6				
16	90445-07M87	HOSE (L110) DURITE (L110)	3				
17	90445-07M07	HOSE (L180) DURITE (L180)	3				
18	90464-07M05	CLAMP BRIDE	2				
19	90468-07M02	CLIP JONC	24				
20	6R3-11537-00	GEAR, DRIVEN PIGNON SECONDAIRE	1				
21	6R3-13117-00	COLLAR, DISTANCE ENTRETOISE	1				
22	93210-13M04	O-RING JOINT TORIQUE	1				
23	90202-08M44	WASHER, PLATE RONDELLE, PLATE	1				
24	6R5-41241-00	ROD, LINK BIELLETTE	1				
25	6H1-41237-00	JOINT, LINK RACCORD	1				
26	95380-05600	NUT ECROU	1				
27	90468-05M03	CLIP JONC	1				



FIG. 8 OIL TANK

RESERVOIR A PETROLE



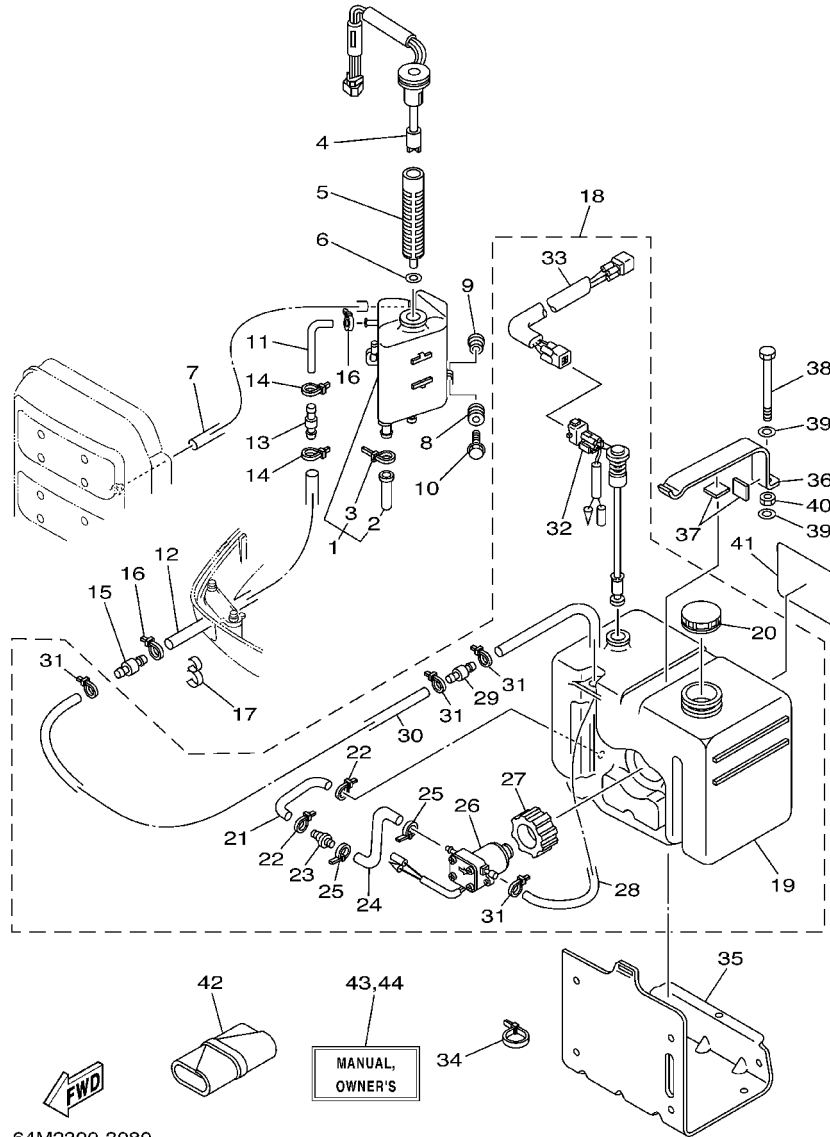
64M2300-3080

REF. NO.	PART NO. NO. PIECES	DESCRIPTION DESCRIPTION	225D				REMARKS REMARQUES
1	6E5-21750-05	OIL TANK ASSY RESERVOIR A HUILE	1				
2	6E5-13448-00	.CAP .CAPUCHON	1				
3	90465-13M11	.CLAMP .BRIDE	1				
4	6R3-85730-03	OIL LEVEL GAUGE ASSY VIEUX	1				
5	6E5-13411-00	STRAINER, OIL FILTRE, HUILE	1				
6	6E5-13414-00	GASKET, STRAINER COVER JOINT, COUVERCLE DE FILTRE	1				
7	90445-05M02	HOSE (L380) DURITE (L380)	1				
8	6A0-82317-00	DAMPER, IGNITION COIL AMORTISSEUR, BOBINE D'ALLUM	3				
9	624-42542-00	PIPE TUYAU	3				
10	90119-06M65	BOLT, WITH WASHER BOULON, AVEC RONDELLE	3				
11	64E-24323-00	PIPE 12 DURITE	1				
12	90445-12207	HOSE (L2400) DURITE (L2400)	1				
13	6E5-24379-00	PIPE, JOINT 4 DURITE RACCORDEMENT 4	1				
14	90465-11M10	CLAMP BRIDE	2				
15	6E5-24379-00	PIPE, JOINT 4 DURITE RACCORDEMENT 4	1				
16	90465-11M10	CLAMP BRIDE	2				
17	90464-13M34	CLAMP BRIDE	1				
18	61A-21708-20	SUB OIL TANK ASSY RESERVOIR A HUILE SECOURS (ENS	1				
19	6E5-21733-20	.SUB TANK, OIL (10.5L) .RESERVOIR A HUILE SECOURS:10.	1				
20	6E5-21770-03	.OIL TANK CAP ASSY .CABOCHON DE RESERVOIR A HUILE	1				
21	6E5-24322-00	.PIPE 11 .DURITE	1				
22	90465-11M10	.CLAMP .BRIDE	2				
23	646-24251-02	.STRAINER 1 .FILTRE 1	1				
24	6E5-24319-01	.PIPE, OIL .DURITE A HUILE	1				
25	90465-11M10	.CLAMP .BRIDE	2				
26	6E5-81900-01	.OIL FEED PUMP ASSY VIEUX	1				
27	6E5-81922-00	.GROMMET .OEILLET CAOUTCHOUC	1				



FIG. 8 OIL TANK

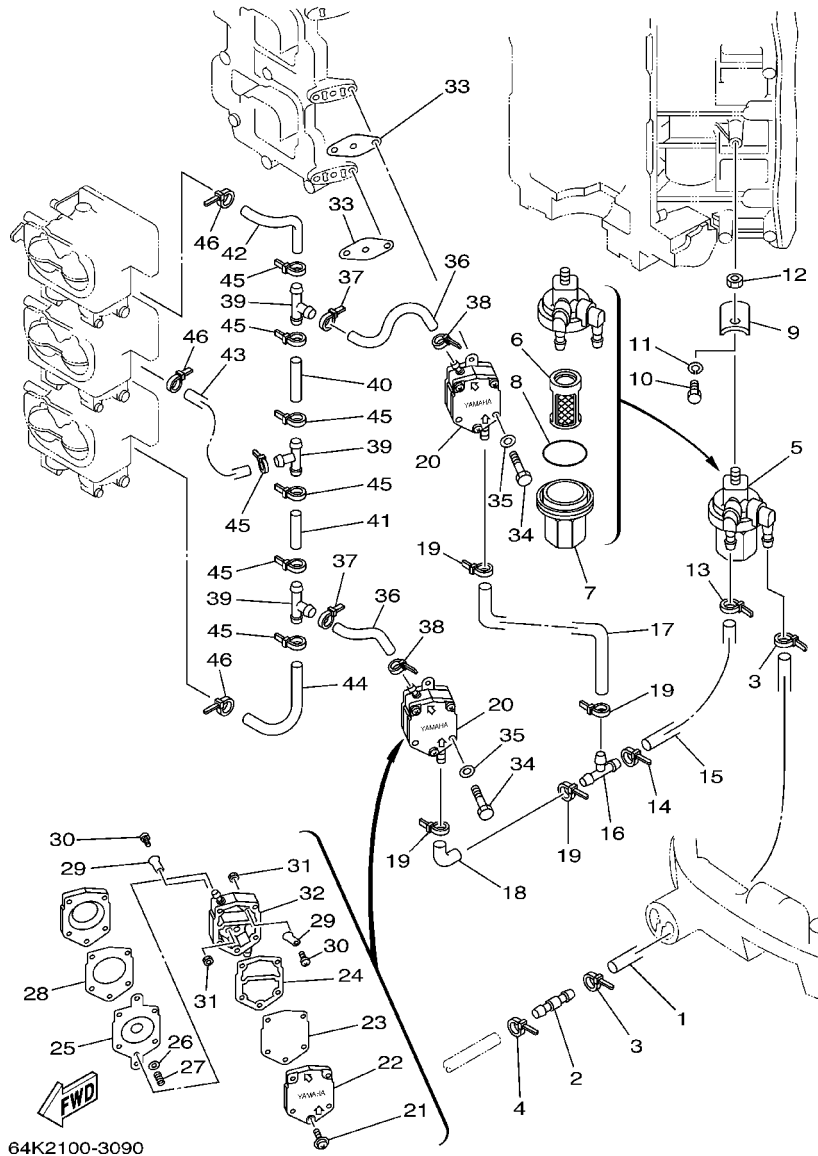
RESERVOIR A PETROLE



REF. NO.	PART NO. NO. PIECES	DESCRIPTION DESCRIPTION	225D				REMARKS REMARQUES
28	6E5-24321-01	.PIPE 10 .DURITE	1				
29	6E5-24379-00	.PIPE, JOINT 4 .DURITE RACCORDEMENT 4	1				
30	90445-11M26	.HOSE (L6500) .DURITE (L6500)	1				
31	90465-11M10	.CLAMP .BRIDE	4				
32	6E5-85720-04	.OIL LEVEL GAUGE ASSY .JAUGE A HUILE.CPLT.	1				
33	6R3-85721-80	.WIRE, LEAD (8M) .FIL, SECONDAIRE (8M)	1				
34	90465-13M11	CLAMP BRIDE	1				
35	6E5-21734-01-33	HOLDER, OIL SUB TANK SUPPORT, RESERV AUXIL A HUILE	1				
36	6E5-21798-01-33	BRACKET, DAMPER SUPPORT, AMORTISSEUR	1				
37	6E5-21746-00	DAMPER AMORTISSEUR	2				
38	97080-06100	BOLT BOULON	1				
39	92990-06600	WASHER, PLATE RONDELLE, PLATE	2				
40	95380-06600	NUT, HEXAGON ECROU	1				
41	6E5-13437-62	MARK, CAUTION MAKER	1				
42	656-W2810-02	TOOL KIT TROUSSE A OUTILS	1				
43	64C-28199-78-A0	MANUAL,OWNER'S MANUEL D'UTILISATION	1				UR (E,F,S)
	64C-28199-78-B0	MANUAL,OWNER'S MANUEL D'UTILISATION	1				UR (D,NL,I)
44	64C-28199-88-A0	MANUAL,OWNER'S MANUEL D'UTILISATION	1				UR (DK,P,GR)
	64C-28199-88-B0	MANUAL,OWNER'S MANUEL D'UTILISATION	1				UR (N,S,SS)

FIG. 9 FUEL 1

CARBURANT 1

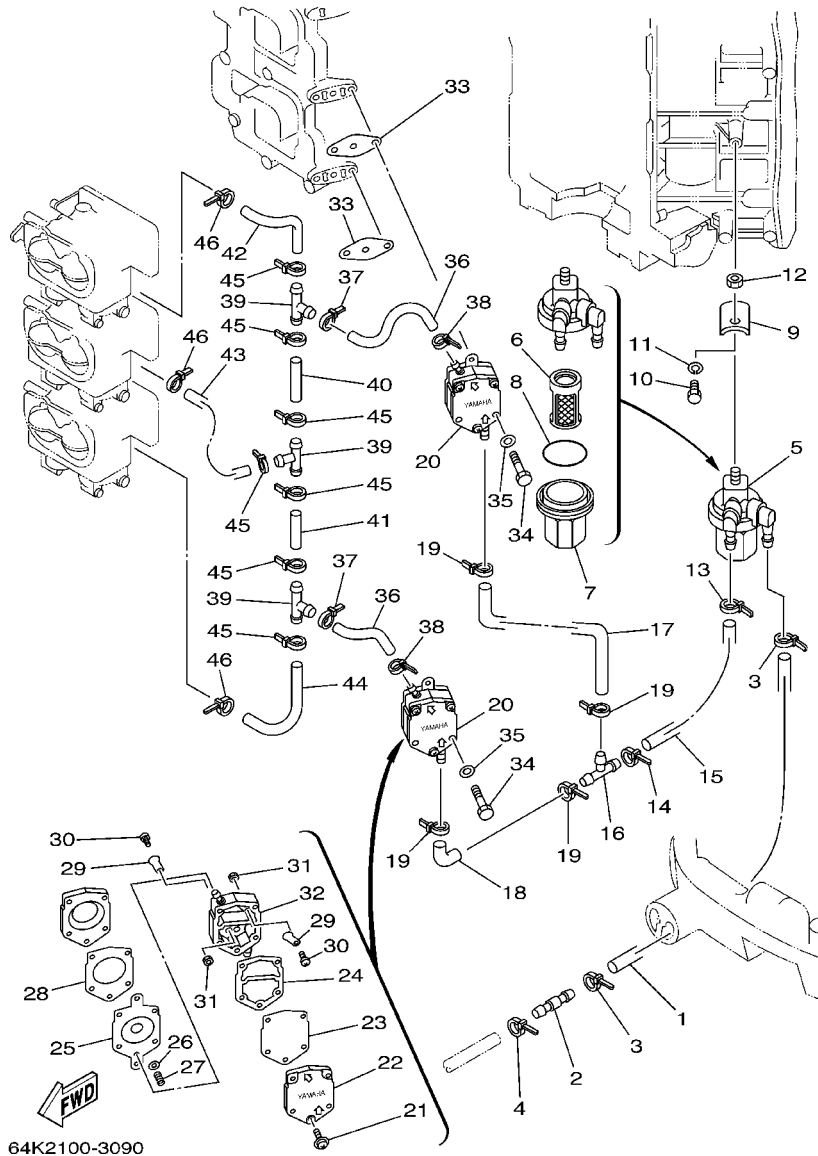


64K2100-3090

REF. NO.	PART NO. NO. PIECES	DESCRIPTION DESCRIPTION	225D				REMARKS REMARQUES
1	6R3-24313-20	PIPE 3 (L:2820) DURITE 3 (L:2820)	1				
2	6R3-24377-00	PIPE, JOINT 3 DURITE RACCORDEMENT 3	1				
3	90465-11M10	CLAMP BRIDE	2				
4	90465-11M10	CLAMP BRIDE	1				
5	6R3-24560-00	FILTER ASSY ENS FILTRE	1				
6	61N-24563-00	.ELEMENT, FILTER .ELEMENT, FILTRE	1				
7	61N-24521-00	.CUP, FILTER .CUVETTE, FILTRE	1				
8	93210-32738	.O-RING .JOINT TORIQUE	1				
9	648-24566-02	BRACKET, FILTER SUPPORT, FILTRE	1				
10	97013-06014	BOLT BOULON	1				
11	92903-06100	WASHER, SPRING RONDELLE, GROWER	1				
12	95380-08600	NUT ECROU	1				
13	90465-11M10	CLAMP BRIDE	1				
14	90465-11M10	CLAMP BRIDE	1				
15	6G5-24314-00	PIPE 4 DURITE 4	1				
16	6E5-24378-00	PIPE, JOINT 3 DURITE, RACCORDEMENT 3	1				
17	6K7-24315-00	PIPE 5 DURITE 5	1				
18	6E5-24315-00	PIPE 5 DURITE 5	1				
19	90465-11M10	CLAMP BRIDE	4				
20	6E5-24410-03	FUEL PUMP ASSY POMPE A ESSENCE	2				
21	6E5-24444-00	.SCREW .VIS	3				
22	6E5-24413-00	.BODY 2 .CORPS 2	1				
23	6E5-24471-00	.DIAPHRAGM .DIAPHRAGME	1				
24	6E5-24435-00	.GASKET, BODY 2 .JOINT, CORPS 2	1				
25	6E5-24411-00	.DIAPHRAGM .DIAPHRAGME	1				
26	648-24424-00	.SEAT, SPRING .SIEGE, RESSORT	1				
27	6E5-24423-00	.SPRING, DIAPHRAGM .RESSORT, DIAPHRAGME	1				

FIG. 9 FUEL 1

CARBURANT 1

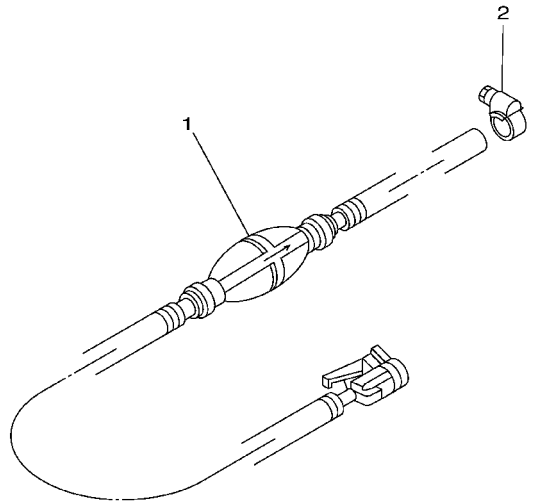


64K2100-3090

REF. NO.	PART NO. NO. PIECES	DESCRIPTION DESCRIPTION	225D				REMARKS REMARQUES
28	6E5-24434-02	.GASKET, BODY .JOINT, CORPS	1				
29	6A0-24421-01	.VALVE, CHECK .SOUPAPE, RETENUE	4				
30	6A0-14325-00	.SCREW, PAN HEAD .VIS TETE CONIQUE	4				
31	95380-03600	.NUT .ECROU	4				
32	6E5-24412-10	.BODY 1 .CORPS 1	1				
33	650-24431-A0	GASKET, FUEL PUMP 1 JOINT 1 DE POMPE A ESSENCE	2				
34	97095-06050	BOLT BOULON	4				
35	92995-06600	WASHER RONDELLE	4				
36	6G5-24316-10	PIPE 6 DURITE 6	2				
37	90465-11M10	CLAMP BRIDE	2				
38	90465-11M10	CLAMP BRIDE	2				
39	6E5-24378-00	PIPE, JOINT 3 DURITE, RACCORDEMENT 3	3				
40	90445-13M03	HOSE (L50) DURITE (L50)	1				
41	90445-13M02	HOSE (L40) DURITE (L40)	1				
42	6K7-24317-00	PIPE 7 DURITE 7	1				
43	6K7-24318-00	PIPE, OVERFLOW DURITE, REFOULEMENT	1				
44	6K7-24319-00	PIPE, OIL DURITE A HUILE	1				
45	90465-11M10	CLAMP BRIDE	7				
46	90465-11M10	CLAMP BRIDE	3				

**FIG. 10 FUEL 2****CARBURANT 2**

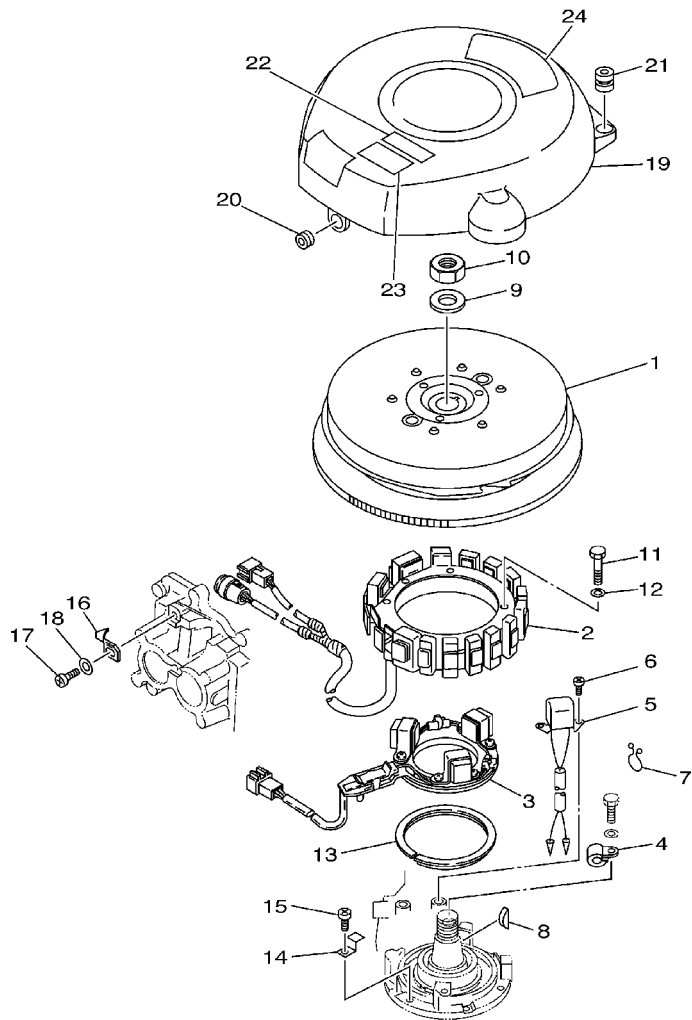
REF. NO.	PART NO. NO. PIECES	DESCRIPTION DESCRIPTION	225D				REMARKS REMARQUES
1	6YK-24307-42	FUEL PIPE COMP. 2 DURITE A ESSENCE 2	1				AP
2	90450-10M07	HOSE CLAMP ASSY BRIDE, DE DURITE	1				AP



68J1100-2140

FIG. 11 GENERATOR

GENERATRICE



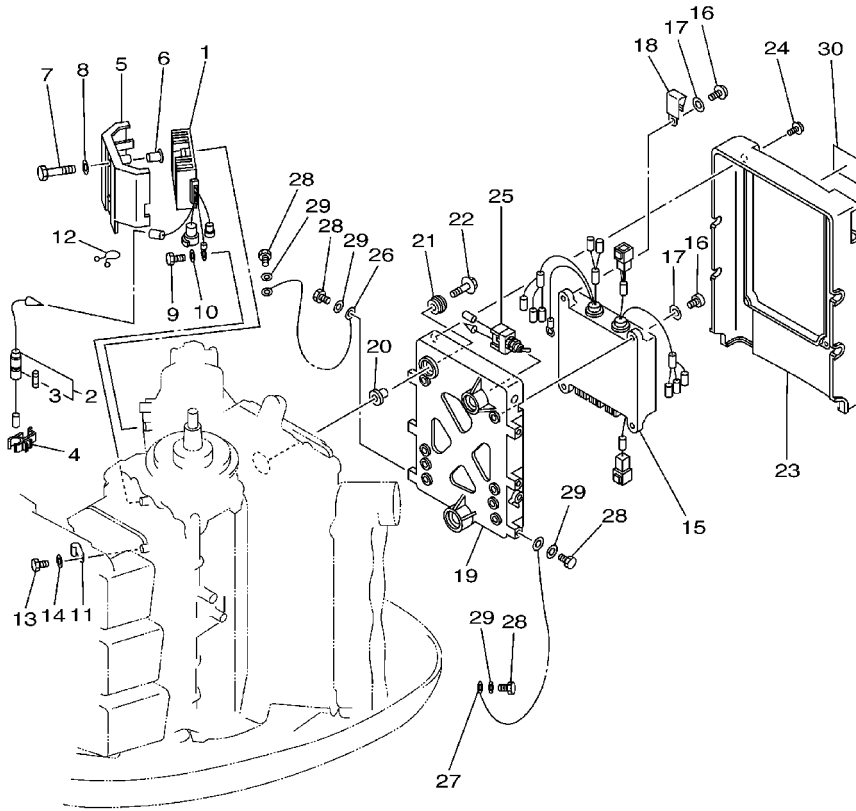
REF. NO.	PART NO. NO. PIECES	DESCRIPTION DESCRIPTION	225D				REMARKS REMARQUES
1	64D-85550-02	ROTOR ASSY ROTOR CPLT	1				
2	6R3-85510-00	STATOR ASSY STATOR CPLT	1				
3	64D-85580-00	COIL, PULSER BOBINE, PULSEUR	1				
4	90465-06M86	CLAMP BRIDE	1				
5	6R5-85895-01	CRANK POSITION SENDER SONDE, REGLAGE DE VILEBREQUIN	1				
6	97885-05012	SCREW, PAN HEAD VIS, A ENCOCHE	2				
7	90464-15M11	CLAMP BRIDE	1				
8	90280-05015	KEY, WOODRUFF CLAVETTE, DEMI-LUNE	1				
9	90201-21M18	WASHER, PLATE RONDELLE, PLATE	1				
10	90170-20137	NUT ECROU	1				
11	97013-06070	BOLT BOULON	4				
12	92903-06600	WASHER, PLATE RONDELLE, PLATE	4				
13	688-41611-00	RETAINER, MAGNETO BASE FLASQUE, PLATEAU D'AVANCE	1				
14	688-41612-00	RETAINER, MAGNETO BASE FLASQUE, PLATEAU D'AVANCE	4				
15	97880-06018	SCREW, PAN HEAD VIS, TETE TRONCONIQUE	4				
16	6E5-81332-00	PLATE, TIMING PLATEAU, ALLUMAGE	1				
17	97885-06010	SCREW, PAN HEAD VIS, A ENCOCHE	1				
18	92995-06600	WASHER RONDELLE	1				
19	64D-81337-01	COVER, FLYWHEEL COUVERCLE, VOLANT	1				
20	90480-13M24	GROMMET PASSE-FIL	1				
21	663-82317-01	DAMPÉR, IGNITION COIL AMORTISSEUR, BOBINE D'ALLUM	2				
22	6A1-83625-51	MARK 5 ETIQUETTE 5	1				
23	6A1-83625-41	MARK 5 ETIQUETTE 5	1				
24	64E-14488-00	LABEL, CAUTION ETIQUETTE, RECOMMANDATION	1				



65N1300-2110

FIG. 12 ELECTRICAL 1

PARTIE ELECTRIQUE 1



REF. NO.	PART NO. NO. PIECES	DESCRIPTION DESCRIPTION	225D				REMARKS REMARQUES
1	6R3-81960-10	RECTIFIER & REGULATOR ASSY REDRESSEUR REGULATEUR CPLT	1				
2	6R3-82150-00	FUSE HOLDER ASSY SUPPORT DE FUSIBLE	1				
3	705-82151-00	.FUSE (30A) .FUSIBLE (30A)	1				
4	6G5-82152-00	HOLDER, FUSE SUPPORT, FUSIBLE	1				
5	64D-81942-00	COVER COUVERCLE	1				
6	90387-06M66	COLLAR COLLERETTE	2				
7	97013-06055	BOLT BOULON	2				
8	92903-06600	WASHER, PLATE RONDELLE, PLATE	2				
9	97095-06012	BOLT BOULON	1				
10	92995-06600	WASHER RONDELLE	1				
11	90465-06M88	CLAMP BRIDE	1				
12	90464-15M11	CLAMP BRIDE	1				
13	97095-06012	BOLT BOULON	1				
14	92995-06600	WASHER RONDELLE	1				
15	64E-85540-01	C.D.I. UNIT ASSY BLOC C.D.I.	1				
16	97880-06020	SCREW, PAN HEAD VIS, TETE TRONCONIQUE	4				
17	92990-06600	WASHER, PLATE RONDELLE, PLATE	4				
18	90465-05M87	CLAMP BRIDE	1				
19	6R3-85542-03-1S	BRACKET SUPPORT	1				
20	90387-06M03	COLLAR COLLERETTE	3				
21	90480-09M12	GROMMET PASSE-FIL	3				
22	90119-06M61	BOLT, WITH WASHER BOULON, AVEC RONDELLE	3				
23	64D-85537-00	COVER COUVERCLE	1				
24	90159-06M11	SCREW, WITH WASHER VIS, AVEC RONDELLE	4				
25	6R3-8259E-00	SWITCH ASSY COMMUTEUR	1				
26	662-82519-00	WIRE, EARTH LEAD FIL, MASSE	1				
27	6R3-82519-00	WIRE, EARTH LEAD FIL, MASSE	1				



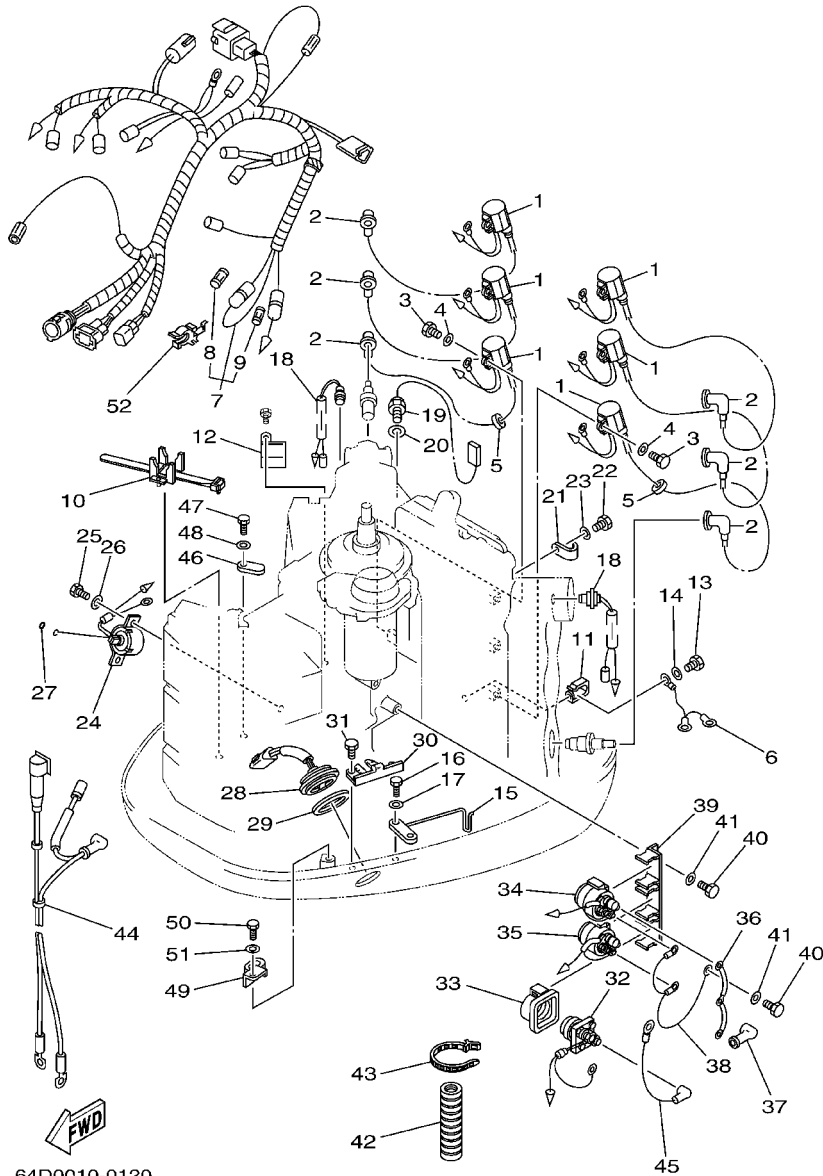
65N1300-2120

D1



FIG. 13 ELECTRICAL 2

PARTIE ELECTRIQUE 2



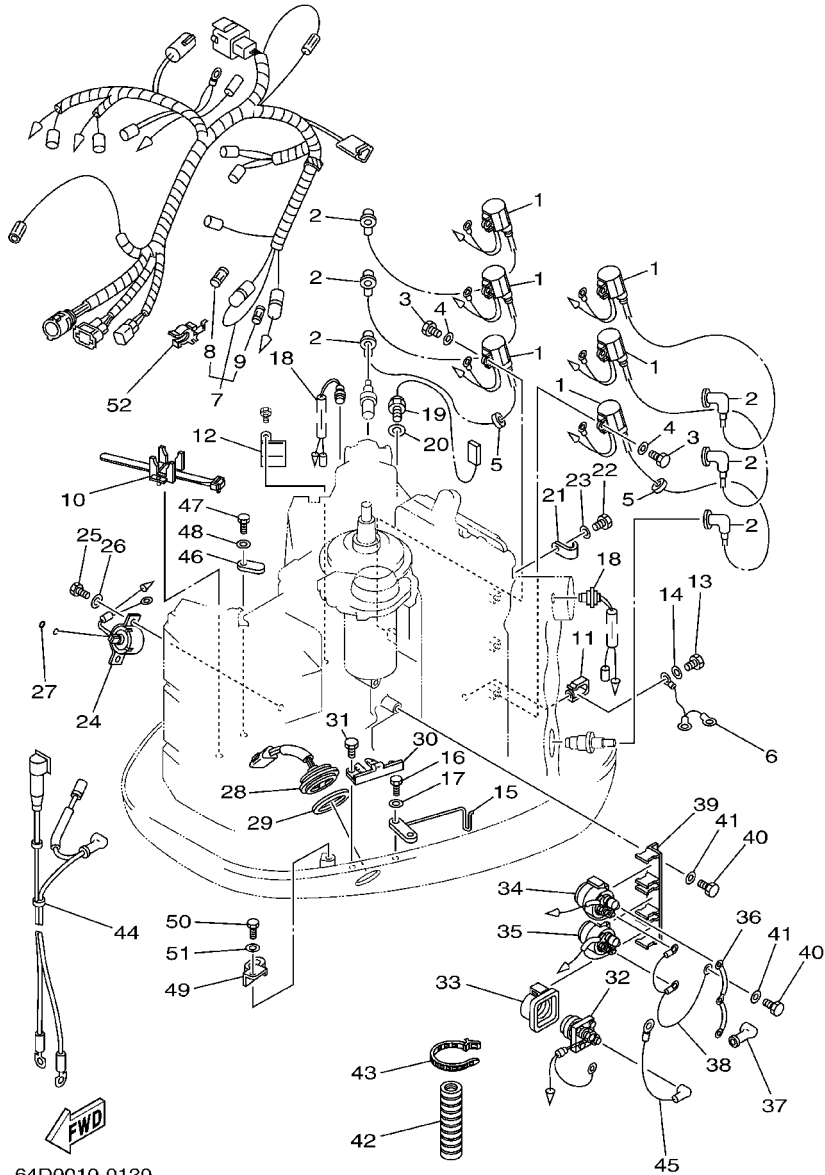
64D0010-0120

REF. NO.	PART NO. NO. PIECES	DESCRIPTION DESCRIPTION	225D				REMARKS REMARQUES
1	6R3-85570-01	IGNITION COIL ASSY BOBINE D'ALLUMAGE (ENS.)	6				
2	6E3-82370-21	PLUG CAP ASSY ANTIPARASITE	6				
3	97095-06020	BOLT BOULON	6				
4	92995-06600	WASHER RONDELLE	6				
5	90480-25161	GROMMET PASSE-FIL	2				
6	6E5-82531-10	WIRE, LEAD FIL	1				
7	64D-82590-00	WIRE HARNESS ASSY FAISCEAU DE FILS COMPLET	1				
8	663-82151-00	.FUSE (12V-20A) .FUSIBLE (12V-20A)	1				
9	705-82151-00	.FUSE (30A) .FUSIBLE (30A)	1				
10	688-82594-00	CLAMP BRIDE	1				
11	90465-05M87	CLAMP BRIDE	1				
12	90465-08M89	CLAMP BRIDE	1				
13	97095-06012	BOLT BOULON	1				
14	92995-06600	WASHER RONDELLE	1				
15	6K7-82588-00	PLATE PLAQUE	1				
16	97095-06020	BOLT BOULON	1				
17	92995-06600	WASHER RONDELLE	1				
18	688-82560-10	THERMO SWITCH ASSY THERMO-CONTACT COMPLET	2				
19	61A-85790-00	THERMOSENSOR ASSY SENSITOMETRE	1				
20	92990-10600	WASHER, PLATE RONDELLE, PLATE	1				
21	90465-06M86	CLAMP BRIDE	1				
22	97095-06012	BOLT BOULON	1				
23	92995-06600	WASHER RONDELLE	1				
24	64E-86110-00	SOLENOID SOLENOID	1				
25	97095-06016	BOLT BOULON	2				
26	92995-06600	WASHER RONDELLE	2				
27	93210-03261	O-RING JOINT TORIQUE	1				



FIG. 13 ELECTRICAL 2

PARTIE ELECTRIQUE 2

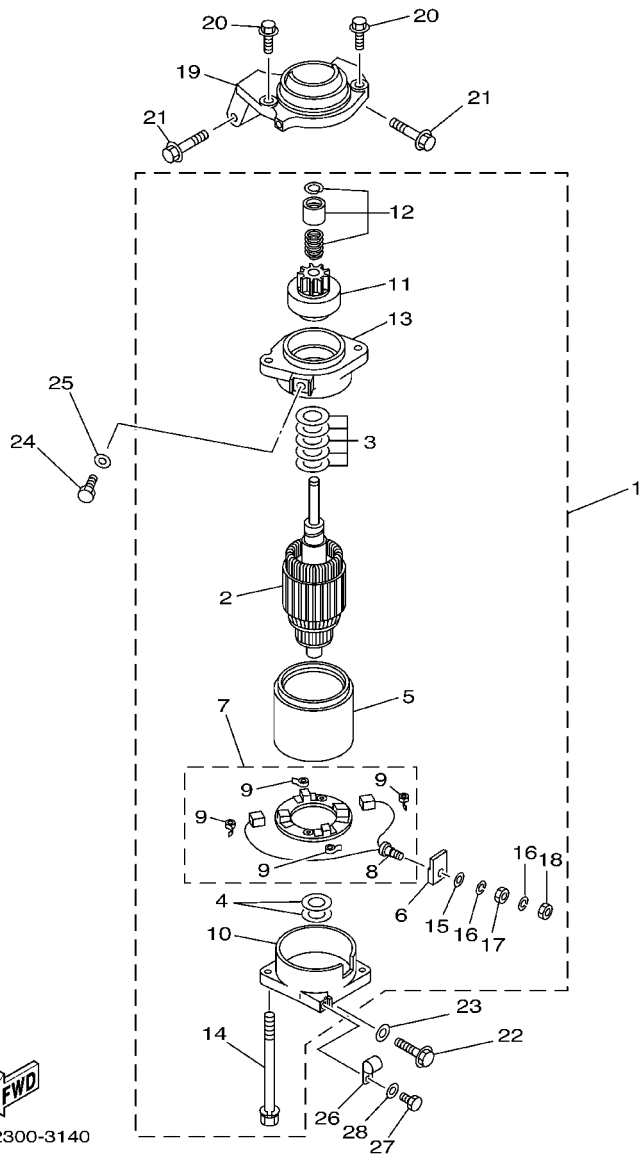


64D0010-0120

REF. NO.	PART NO. NO. PIECES	DESCRIPTION DESCRIPTION	225D				REMARKS REMARQUES
28	6R3-82563-00	TRIM & TILT SWITCH ASSY INCLINER ET PARER COMMUTATEUR	1				
29	6E5-82587-00	GASKET JOINT	1				
30	6R3-83614-00	BRACKET SUPPORT	1				
31	97095-06012	BOLT BOULON	2				
32	61A-81941-00	STARTER RELAY ASSY LANCEUR RELAIS (ENS.)	1				
33	689-81952-10	HOLDER, RELAY SUPPORT, RELAIS	1				
34	6E5-81950-00	RELAY ASSY RELAIS COMPLET	1				
35	6E5-8195A-00	RELAY ASSY RELAIS COMPLET	1				
36	6G5-87149-10	CONNECTOR RACCORD	1				
37	6G5-82119-00	COVER, LEAD WIRE GARNITURE, FIL	2				
38	6E5-82116-00	WIRE, MINUS LEAD FIL, NEGATIF	1				
39	6G5-81948-11	BRACKET JOINT TORIQUE	1				
40	97095-06016	BOLT BOULON	2				
41	92995-06600	WASHER RONDELLE	2				
42	6E9-83557-70	TUBE TUBE	1				
43	90465-13M18	CLAMP BRIDE	1				
44	6R3-82105-02	WIRE HARNESS FAISCEAU DE FILS	1				
45	6K7-82117-00	WIRE, LEAD FIL	1				
46	6E5-82588-00	PLATE PLAQUE	1				
47	97095-06020	BOLT BOULON	1				
48	92995-06600	WASHER RONDELLE	1				
49	90465-12M25	CLAMP BRIDE	1				
50	97095-06012	BOLT BOULON	1				
51	92995-06600	WASHER RONDELLE	1				
52	6G5-82152-00	HOLDER, FUSE SUPPORT, FUSIBLE	2				

FIG. 14 STARTING MOTOR

DEMARREUR ELECTRIQUE



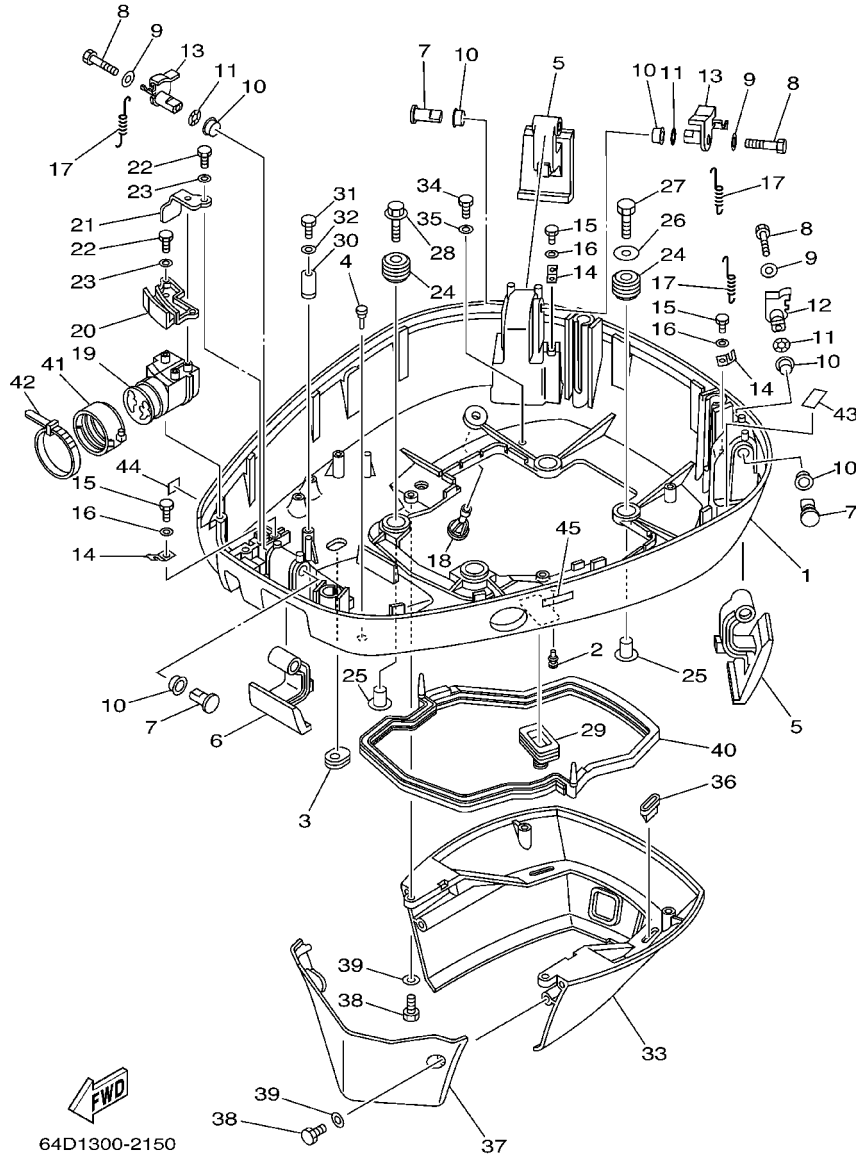
64M2300-3140

REF. NO.	PART NO. NO. PIECES	DESCRIPTION DESCRIPTION	225D				REMARKS REMARQUES
1	6N7-81800-10	STARTING MOTOR ASSY DEMARREUR ELECTRIQUE COMPLET	1				
2	6N7-81850-10	.ARMATURE ASSY .INDUIT	1				
3	61A-81809-00	.WASHER KIT .JEU DE RONDELLES	1				
4	61A-81824-00	.WASHER 2 .RONDELLE 2	2				
5	6N7-81810-00	.STATOR ASSY .STATOR COMPLET	1				
6	6K7-8182G-10	.BUSH, TERMINAL .DOUILLE	1				
7	6N7-81840-00	.BRUSH HOLDER ASSY .SUPPORT DE CHARBON	1				
8	6N7-81801-00	.BRUSH SET .CHARBON	1				
9	6N7-81813-00	.SPRING, BRUSH .RESSORT, DE CHARBON	4				
10	6N7-81820-10	.REAR BRACKET ASSY .SUPPORT ARRIERE COMPLET	1				
11	6N7-81807-00	.GEAR ASSY, STARTING MOTOR .PIGNON, DEMARREUR ELECTRIQUE	1				
12	6N7-81857-00	.RETAINER .ARRETOIR	1				
13	6N7-81830-00	.FRONT BRACKET ASSY .SUPPORT AVANT	1				
14	6K7-81826-10	.BOLT .BOULON	2				
15	6E5-8182E-10	.WASHER .RONDELLE	1				
16	6E5-8182F-10	.WASHER .RONDELLE	2				
17	6E5-8182A-10	.NUT .ECROU	1				
18	6E5-8182K-10	.NUT .ECROU	1				
19	6K7-81822-00-94	BRACKET, STARTING MOTOR SUPPORT, DEMARREUR ELECTRIQUE	1				
20	90119-08M76	BOLT, WITH WASHER BOULON, AVEC RONDELLE	2				
21	90119-08M77	BOLT, WITH WASHER BOULON, AVEC RONDELLE	2				
22	90119-08M57	BOLT, WITH WASHER BOULON, AVEC RONDELLE	1				
23	92990-08600	WASHER, PLATE RONDELLE, PLATE	1				
24	97095-08016	BOLT BOULON	1				
25	92995-08600	WASHER RONDELLE	1				
26	90465-06M86	CLAMP BRIDE	1				
27	97095-06012	BOLT BOULON	1				



FIG. 15 BOTTOM COWLING

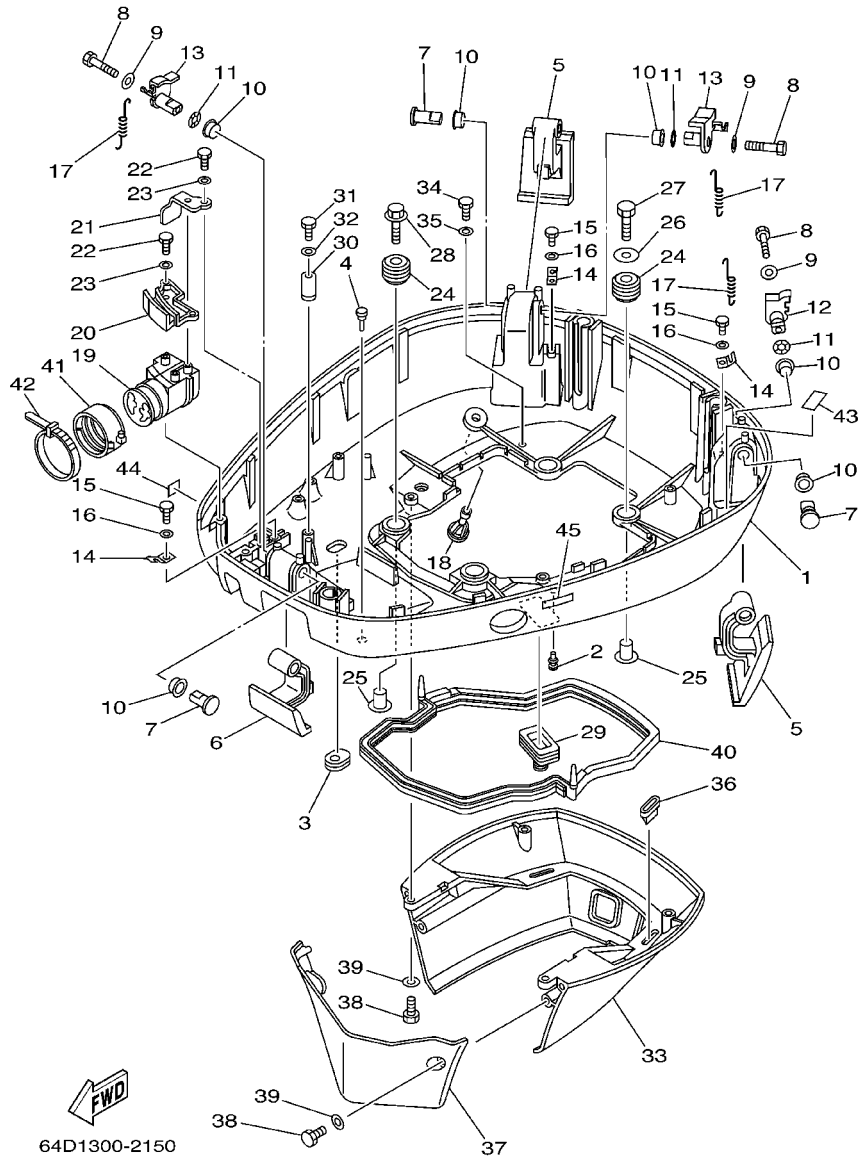
CAPOT INFERIEUR



REF. NO.	PART NO. NO. PIECES	DESCRIPTION DESCRIPTION	225D				REMARKS REMARQUES
1	64D-42711-01-8D	COWLING, BOTTOM CUVETTE	1				
2	90480-06M19	GROMMET PASSE-FIL	1				
3	61A-42727-00	GROMMET PASSE-FIL	1				
4	6H4-42748-00	GROMMET PASSE-FIL	1				
5	64D-42815-00-4D	LEVER, CLAMP LEVIER, PRESSE	2				
6	64D-42816-00-4D	LEVER, CLAMP LEVIER, PRESSE	1				
7	64D-42835-00	PIN, SET 1 GOUPILLE, ELASTIQUE 1	3				
8	97095-06040	BOLT BOULON	3				
9	90201-06068	WASHER, PLATE RONDELLE, PLATE	3				
10	90386-15M73	BUSH DOUILLE	6				
11	90206-15M18	WASHER, WAVE RONDELLE, ONDULEE	3				
12	64D-42818-20	LEVER, CLAMP LEVIER, PRESSE	1				
13	64D-42818-30	LEVER, CLAMP LEVIER, PRESSE	2				
14	64D-43144-00	HOOK, SPRING CROCHET	3				
15	97090-06012	BOLT BOULON	3				
16	92990-06600	WASHER, PLATE RONDELLE, PLATE	3				
17	90506-16M34	SPRING, TENSION RESSORT, TENSION	3				
18	6E5-44391-00	NIPPLE, HOSE RACCORD D'ESSENCE	1				
19	64D-42725-30	GROMMET PASSE-FIL	1				
20	64D-42738-00-5B	PLATE, FITTING ETRIER	1				
21	64D-42738-10-5B	PLATE, FITTING ETRIER	1				
22	97095-06016	BOLT BOULON	3				
23	92995-06600	WASHER RONDELLE	3				
24	90480-22M15	GROMMET PASSE-FIL	4				
25	90387-08M37	COLLAR COLLERETTE	4				
26	90201-08M54	WASHER, PLATE RONDELLE, PLATE	1				
27	97075-08035	BOLT BOULON	1				

FIG. 15 BOTTOM COWLING

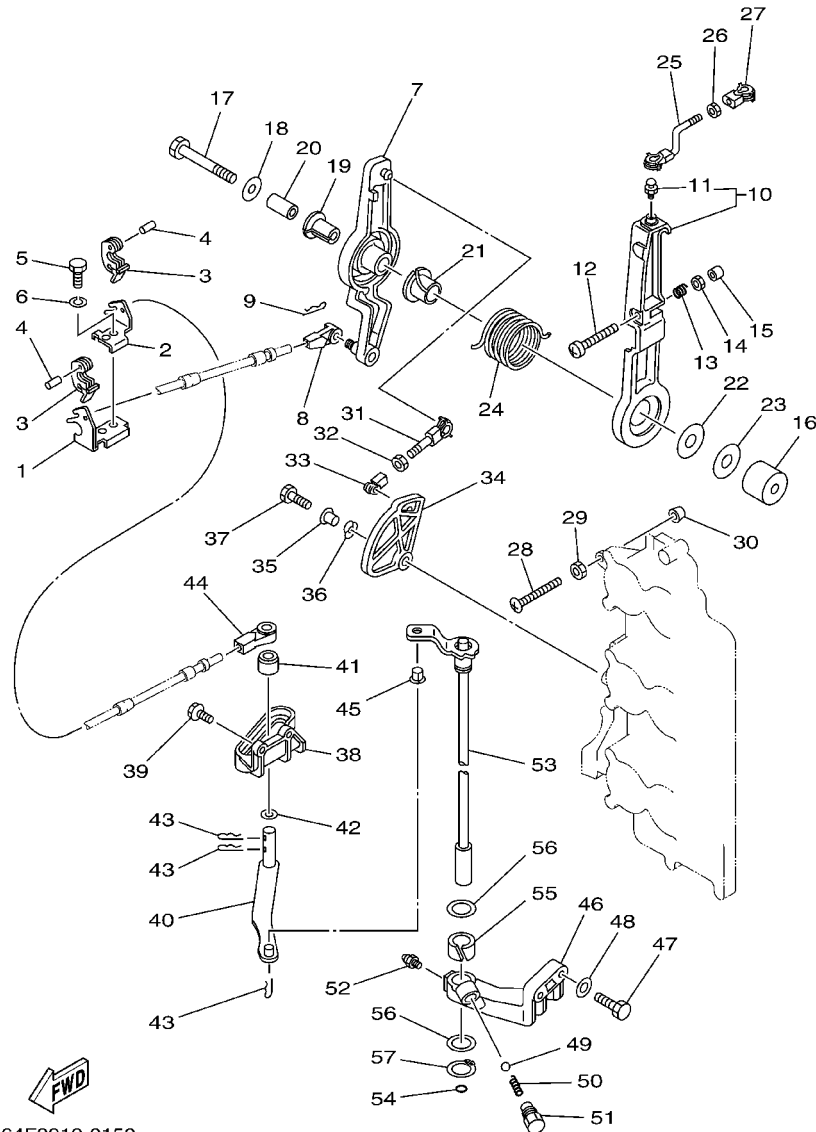
CAPOT INFERIEUR



REF. NO.	PART NO. NO. PIECES	DESCRIPTION DESCRIPTION	225D				REMARKS REMARQUES
28	90119-08M22	BOLT, WITH WASHER BOULON, AVEC RONDELLE	3				
29	688-42726-10	GROMMET PASSE-FIL	1				
30	6E5-82588-00	PLATE PLAQUE	1				
31	97095-06020	BOLT BOULON	1				
32	92995-06600	WASHER RONDELLE	1				
33	6R3-42741-02-8D	APRON CAPOT LATERAL	1				
34	97095-06020	BOLT BOULON	2				
35	92995-06600	WASHER RONDELLE	2				
36	64D-42717-00	RUBBER, SEAL 2 JOINT EN CAOUTCHOUC 2	2				
37	6R3-42771-01-8D	APRON CAPOT LATERAL	1				
38	97095-06020	BOLT BOULON	4				
39	92995-06600	WASHER RONDELLE	4				
40	6E5-42716-10	RUBBER, SEAL 1 JOINT EN CAOUTCHOUC 1	1				
41	68F-42753-00	FASTNER ATTACHE	1				
42	90464-20258	CLAMP BRIDE	1				
43	6G5-42791-10	MARK 1 ETIQUETTE 1	1				
44	6A1-28176-00	LABEL, CAUTION ETIQUETTE, RECOMMANDATION	1				
45	6E3-8257H-00	PLATE, MARK PLAQUE, ADHESIF	1				

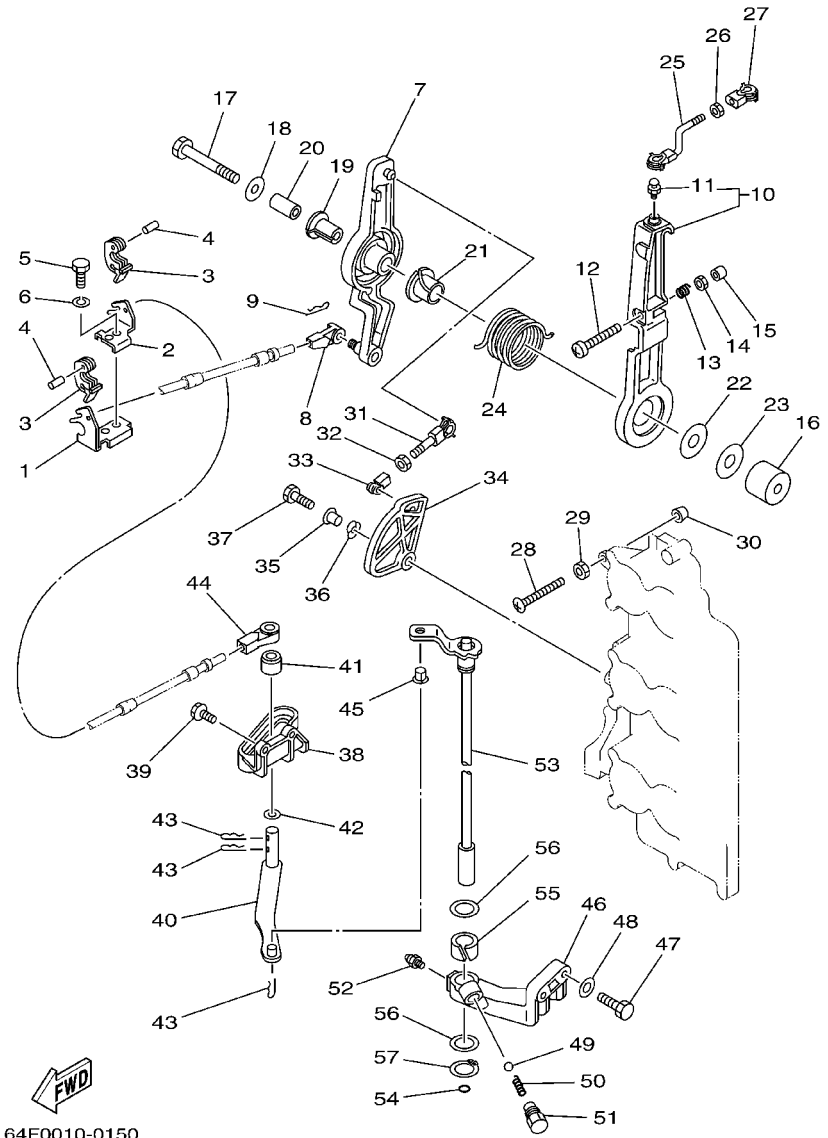
FIG. 16 CONTROL

COMMANDE



64F0010-0150

REF. NO.	PART NO. NO. PIECES	DESCRIPTION DESCRIPTION	225D				REMARKS REMARQUES
1	64D-48531-00	BRACKET, REMOTE CONTROL 1 ETRIER 1, COMMANDE A DISTANCE	1				
2	64D-48532-00	BRACKET, REMOTE CONTROL 2 ETRIER 2, COMMANDE A DISTANCE	1				
3	6E5-48538-00	CLAMP, CABLE COLLIER	2				
4	91690-30012	PIN, SPRING AGRAFFE	2				
5	97095-08020	BOLT BOULON	1				
6	92995-08100	WASHER RONDELLE	1				
7	61H-41632-02-1S	LEVER, MAGNETO CONTROL LEVIER, COMMANDE D'AVANCE	1				
8	6E5-48344-00	CABLE END, REMOTE CONTROL CHAPE CABLE	1				
9	90468-18008	CLIP JONC	1				
10	6G5-41631-01-1S	LEVER, MAGNETO CONTROL LEVIER, COMMANDE D'AVANCE	1				
11	663-85518-00	JOINT, BALL JOINT SPHERIQUE	1				
12	90157-06013	SCREW, PAN HEAD VIS, TETE TRONCONIQUE	1				
13	90501-16M12	SPRING, COMPRESSION RESSORT, COMPRESSION	1				
14	95303-06600	NUT ECROU	1				
15	688-44194-00	CAP CAPUCHON	1				
16	90387-08M17	COLLAR COLLERETTE	1				
17	90101-08M14	BOLT BOULON	1				
18	90201-08M23	WASHER, PLATE RONDELLE, PLATE	1				
19	90386-12089	BUSH DOUILLE	1				
20	90387-08M16	COLLAR COLLERETTE	1				
21	90386-22M13	BUSH DOUILLE	1				
22	90202-12092	WASHER, PLATE RONDELLE, PLATE	1				
23	90201-08M13	WASHER, PLATE RONDELLE, PLATE	1				
24	90508-29M12	SPRING, TORSION RESSORT, TORSION	1				
25	6G5-41636-01	ROD, MAGNETO CONTROL BIELLETTTE, COMMANDE D'AVANCE	1				
26	95380-05600	NUT ECROU	1				
27	662-41237-01	JOINT, LINK RACCORD	1				

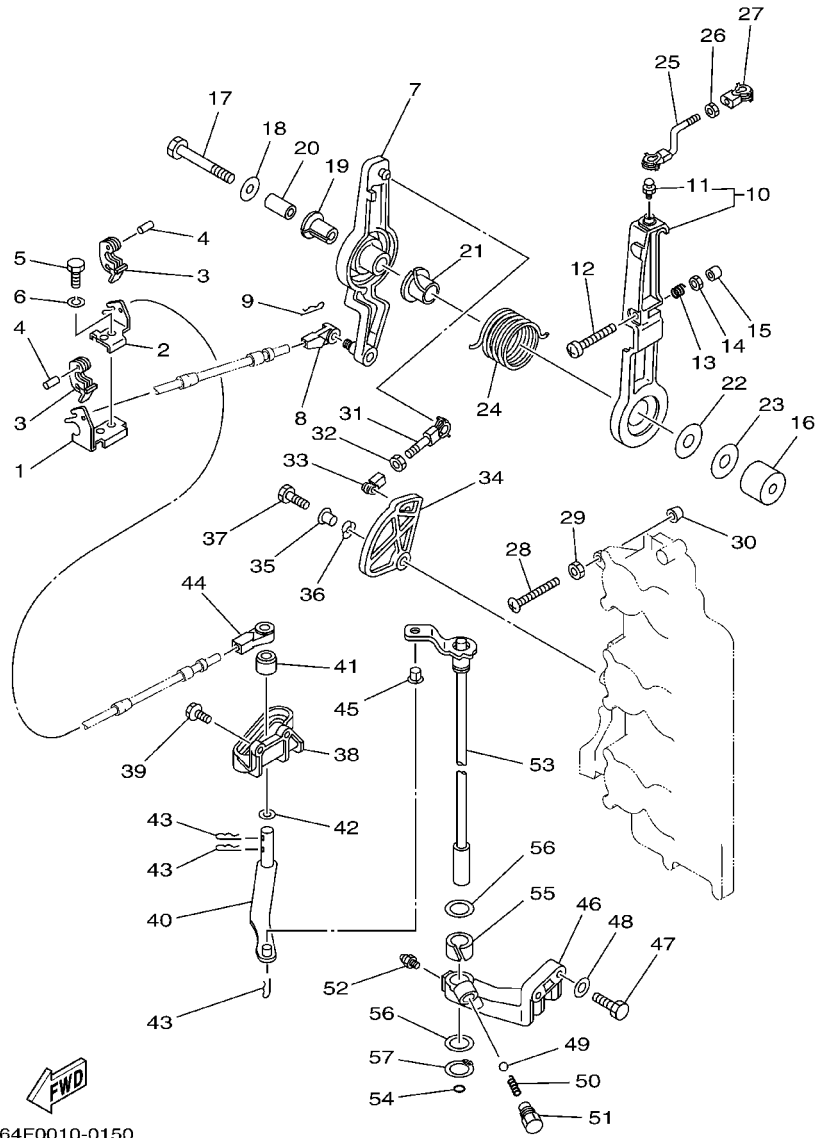


64F0010-0150

FIG. 16 CONTROL

COMMANDE

REF. NO.	PART NO. NO. PIECES	DESCRIPTION DESCRIPTION	225D				REMARKS REMARQUES
28	90157-06M07	SCREW, PAN HEAD VIS, TETE TRONCONIQUE	1				
29	95303-06600	NUT ECROU	1				
30	688-44194-00	CAP CAPUCHON	1				
31	682-41237-50	JOINT, LINK RACCORD	1				
32	95380-05600	NUT ECROU	1				
33	662-41237-01	JOINT, LINK RACCORD	1				
34	61H-41213-00	CAM, ACCEL. CAME, ACCELERATION	1				
35	90387-06M29	COLLAR COLLERETTE	1				
36	90206-10M04	WASHER, WAVE RONDELLE, ONDULEE	1				
37	97095-06025	BOLT BOULON	1				
38	6E5-44117-00-1S	BRACKET SUPPORT	1				
39	90119-06MA2	BOLT, WITH WASHER BOULON, AVEC RONDELLE	2				
40	68F-44121-00	LEVER, SHIFT ROD LEVIER, TIGE D'INVERSION	1				
41	6E5-44122-00	BUSHING, SHIFT ROD LEVER DOUILLE, LEVIER D'EMBRAYAGE	1				
42	90202-08M20	WASHER, PLATE RONDELLE, PLATE	1				
43	90468-18008	CLIP JONC	3				
44	6E5-48344-00	CABLE END, REMOTE CONTROL CHAPE CABLE	1				
45	90386-06M12	BUSH DOUILLE	1				
46	6E5-44118-01-94	BRACKET SUPPORT	1				
47	97013-08030	BOLT BOULON	2				
48	92903-08600	WASHER, PLATE RONDELLE, PLATE	2				
49	93501-04M02	BALL BILLE	1				
50	90501-12082	SPRING, COMPRESSION RESSORT, COMPRESSION	1				
51	648-42715-00	BUSHING COUSSINET	1				
52	93700-06M03	NIPPLE, GREASE PION	1				
53	6E5-44120-03	HANDLE GEAR SHIFT ASSY LEVIER D'EMBRAYAGE	1				L
	6E5-44120-23	HANDLE GEAR SHIFT ASSY LEVIER D'EMBRAYAGE	1				X



64F0010-0150

FIG. 16 CONTROL

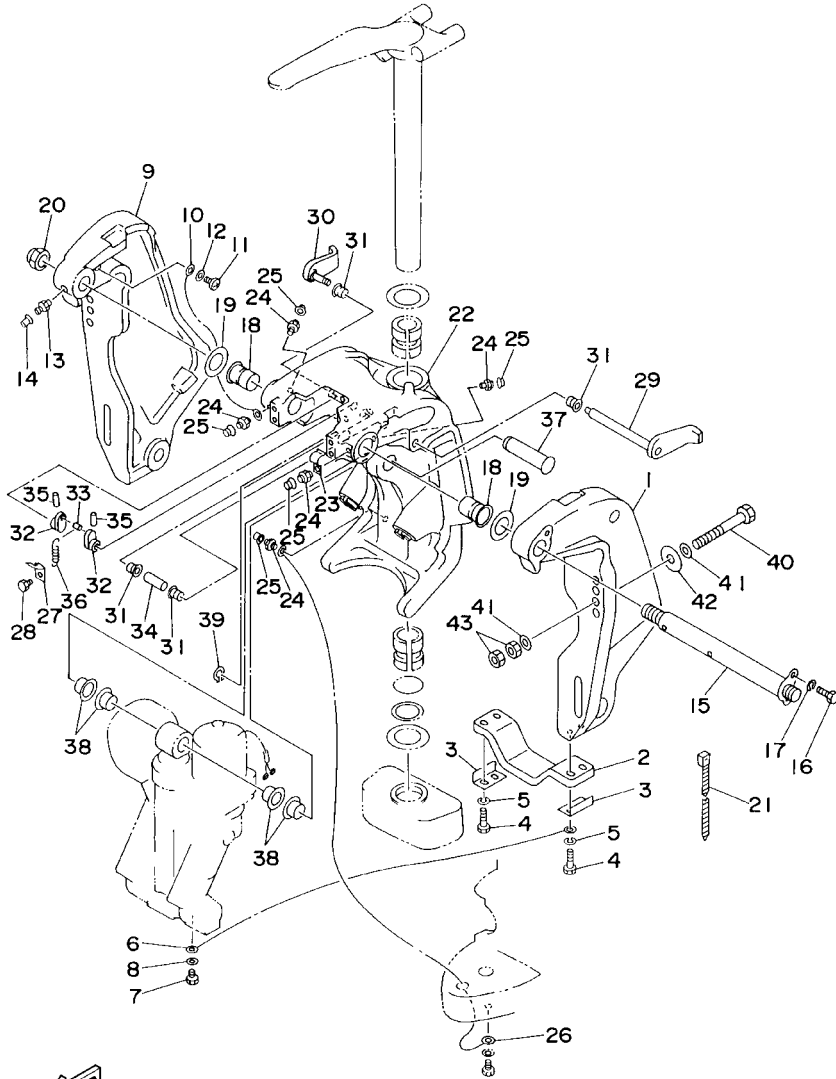
COMMANDE

REF. NO.	PART NO. NO. PIECES	DESCRIPTION DESCRIPTION	225D				REMARKS REMARQUES
54	93210-09165	O-RING JOINT TORIQUE	1				
55	90386-16M66	BUSH DOUILLE	1				
56	90202-16061	WASHER, PLATE RONDELLE, PLATE	2				
57	93410-16006	CIRCLIP CLIPS	1				
-----							
-----							
-----							
-----							
-----							
-----							
-----							
-----							
-----							



FIG. 17 BRACKET 1

SUPPORT 1

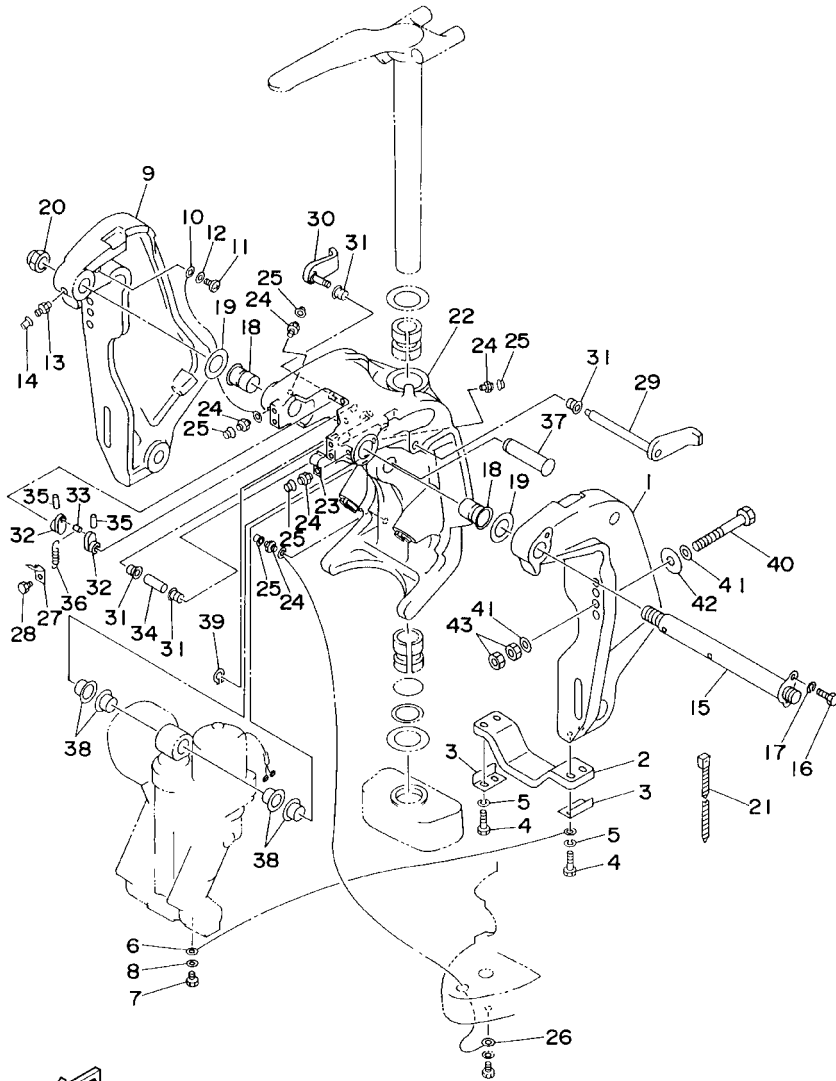


6N60010-7160

REF. NO.	PART NO. NO. PIECES	DESCRIPTION DESCRIPTION	225D				REMARKS REMARQUES
1	64E-43111-02-8D	BRACKET, CLAMP PRESSE	1				
2	6G5-45251-02	ANODE ANODE	1				
3	6G5-44526-00	PLATE PLAQUE	2				
4	97095-06030	BOLT BOULON	4				
5	92995-06100	WASHER, SPRING RONDELLE, GROWER	4				
6	6E5-82148-00	WIRE, LEAD 4 FIL 4	1				
7	97095-06010	BOLT BOULON	1				
8	92995-06600	WASHER RONDELLE	1				
9	64E-43112-02-8D	BRACKET, CLAMP PRESSE	1				
10	6E5-82148-00	WIRE, LEAD 4 FIL 4	1				
11	97880-06012	SCREW, PAN HEAD VIS, TETE TRONCONIQUE	1				
12	92990-06600	WASHER, PLATE RONDELLE, PLATE	1				
13	93700-06M03	NIPPLE, GREASE PION	1				
14	663-45119-00	CAP, GREASE NIPPLE CAPUCHON, GRAISSEUR	1				AP
15	64E-43131-01	BOLT, CLAMP BRACKET BOULON, PRESSE	1				
16	97095-08020	BOLT BOULON	1				
17	92995-08100	WASHER RONDELLE	1				
18	90386-25M31	BUSH DOUILLE	2				
19	90201-26M59	WASHER, PLATE RONDELLE, PLATE	2				
20	90185-22M11	NUT, SELF-LOCKING ECROU, AUTO-BLOCANT	1				
21	90465-11M10	CLAMP BRIDE	1				
22	64E-43311-10-8D	BRACKET, SWIVEL 1 SUPPORT, PIVOT 1	1				L
	64E-43311-20-8D	BRACKET, SWIVEL 1 SUPPORT, PIVOT 1	1				X
23	90465-08M63	CLAMP BRIDE	1				
24	93700-06M03	NIPPLE, GREASE PION	5				
25	663-45119-00	CAP, GREASE NIPPLE CAPUCHON, GRAISSEUR	5				AP
26	6E5-82147-00	WIRE, LEAD 4 FIL 4	1				L

FIG. 17 BRACKET 1

SUPPORT 1

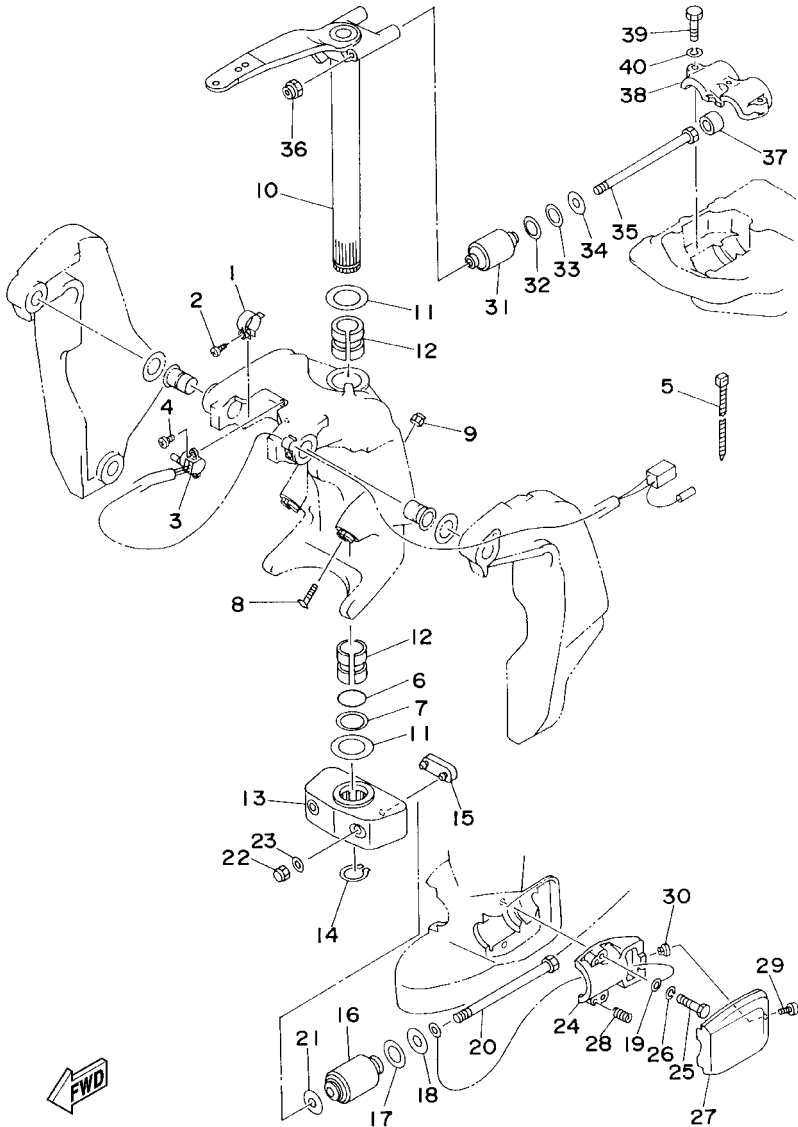


6N60010-7160

REF. NO.	PART NO. NO. PIECES	DESCRIPTION DESCRIPTION	225D				REMARKS REMARQUES
26	6E5-82147-20	WIRE, LEAD 4 FIL 4	1				X
27	6G5-43144-00	HOOK, SPRING CROCHET	1				
28	97095-06010	BOLT BOULON	1				
29	6G5-43181-02	LEVER, TILT STOP LEVIER, VERROUILLAGE RELEVAGE	1				
30	6G5-43185-02	LEVER, TILT STOP LEVIER, VERROUILLAGE RELEVAGE	1				
31	90386-10M16	BUSH DOUILLE	4				
32	6G5-43148-00	COLLAR, DISTANCE ENTRETOISE	2				
33	90249-06M19	PIN GOUILLE	1				
34	90387-10M05	COLLAR COLLERETTE	1				
35	91690-30020	PIN, SPRING AGRAFFE	2				
36	90506-14M24	SPRING, TENSION RESSORT, TENSION	1				
37	64E-43126-00	PIN, UPPER SHOCK MOUNT AXE, SUPERIEUR AMORTISSEUR	1				
38	90386-22M98	BUSH DOUILLE	4				
39	93410-22M11	CIRCLIP CLIPS	1				
40	90101-12M03	BOLT (L:115MM) BOULON (L:115MM)	4				
41	90201-13M01	WASHER, PLATE RONDELLE, PLATE	8				
42	90201-12M05	WASHER, PLATE RONDELLE, PLATE	4				
43	95380-12600	NUT ECROU	8				

FIG. 18 BRACKET 2

SUPPORT 2

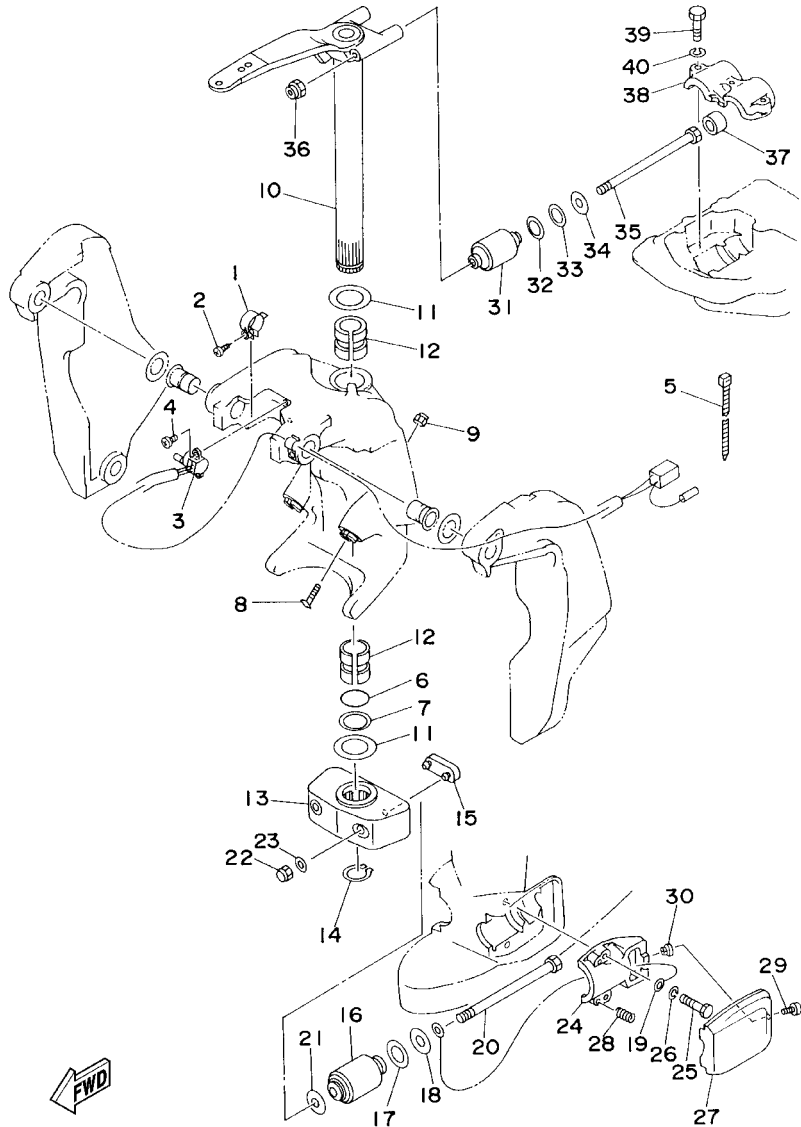


64D0010-7170

REF. NO.	PART NO. NO. PIECES	DESCRIPTION DESCRIPTION	225D				REMARKS REMARQUES
1	64E-43139-02	CAM, TRIM SENDER VILEBREQUIN TRUM	1				
2	97780-60525	SCREW, TAPPING VIS, TETE BOMBEE	1				
3	64E-83672-02	TRIM SENDER INCLINER RACCORD	1				
4	97885-06016	SCREW, PAN HEAD VIS, A ENCOCHE	2				
5	90465-11M10	CLAMP BRIDE	3				
6	93210-37MH7	O-RING JOINT TORIQUE	1				
7	90202-40M47	WASHER, PLATE RONDELLE, PLATE	1				
8	61A-43376-00	BOLT, THRUST RECEIVER BOULON	2				
9	95780-10300	NUT, FLANGE ECROU	2				
10	6E5-42510-A1-8D	STEERING BRACKET ASSY DIRECTION SUPPORT (ENS.)	1				L
	6E5-42510-B1-8D	STEERING BRACKET ASSY DIRECTION SUPPORT (ENS.)	1				X
11	90201-38M60	WASHER, PLATE RONDELLE, PLATE	2				
12	90386-38M32	BUSH DOUILLE	2				
13	6G5-44551-01-8D	HOUSING, LOWER MOUNT RUBBER BOITIER, SILENT-BLOC INFERIEUR	1				
14	93410-37M04	CIRCLIP CLIPS	1				
15	6E5-44575-00	DAMPER, LOWER MOUNT RUBBER SILENT-BLOC, INFERIEUR	1				
16	6G5-44555-00-94	MOUNT DAMPER, LOWER SIDE SILENT-BLOC, INFERIEUR LATERAL	2				
17	90202-32M19	WASHER, PLATE RONDELLE, PLATE	2				
18	90201-16M55	WASHER, PLATE RONDELLE, PLATE	2				
19	6E5-82149-00	WIRE, LEAD 3 FIL 3	1				
20	90109-14M34	BOLT BOULON	2				
21	90201-15M58	WASHER, PLATE RONDELLE, PLATE	2				
22	95380-14800	NUT ECROU	2				
23	92995-14600	WASHER RONDELLE	2				
24	6E5-44552-01-94	HOUSING, LOWER MOUNT RUBBER BOITIER, SILENT-BLOC INFERIEUR	2				
25	97095-10045	BOLT BOULON	4				
26	92995-10100	WASHER RONDELLE	4				

FIG. 18 BRACKET 2

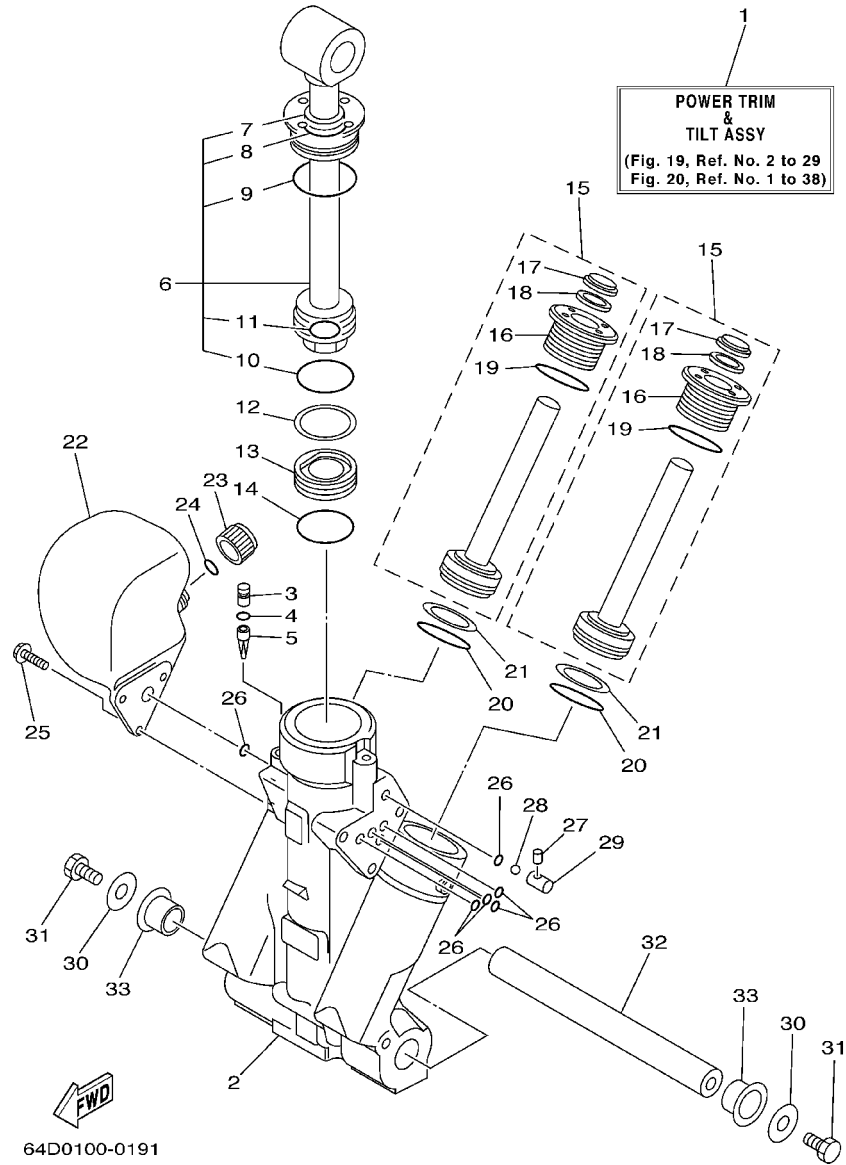
SUPPORT 2



64D0010-7170

REF. NO.	PART NO. NO. PIECES	DESCRIPTION DESCRIPTION	225D				REMARKS REMARQUES
27	6E5-44553-01-8D	COVER, LOWER MOUNT COUVERCLE, SUSPENSION INFÉRIEU	2				
28	90501-16M28	SPRING, COMPRESSION RESSORT, COMPRESSION	4				
29	97885-06016	SCREW, PAN HEAD VIS, A ENCOCHE	2				
30	90179-06066	NUT ECROU	2				
31	6G5-44514-00-94	MOUNT DAMPER, UPPER SIDE SILENT-BLOC, SUPERIEUR LATERAL	2				
32	90201-26M57	WASHER, PLATE RONDELLE, PLATE	2				
33	90202-26M18	WASHER, PLATE RONDELLE, PLATE	2				
34	90201-14M56	WASHER, PLATE RONDELLE, PLATE	2				
35	90109-12M37	BOLT BOULON	2				
36	90185-12M12	NUT, SELF-LOCKING ECROU, AUTO-BLOCANT	2				
37	663-44575-00	DAMPER, LOWER MOUNT RUBBER SILENT-BLOC, INFÉRIEUR	2				
38	6E5-44511-00-5B	COVER, UPPER MOUNT COUVERCLE, SUSPENSION SUPERIEU	1				
39	97095-10045	BOLT BOULON	3				
40	92995-10100	WASHER RONDELLE	3				

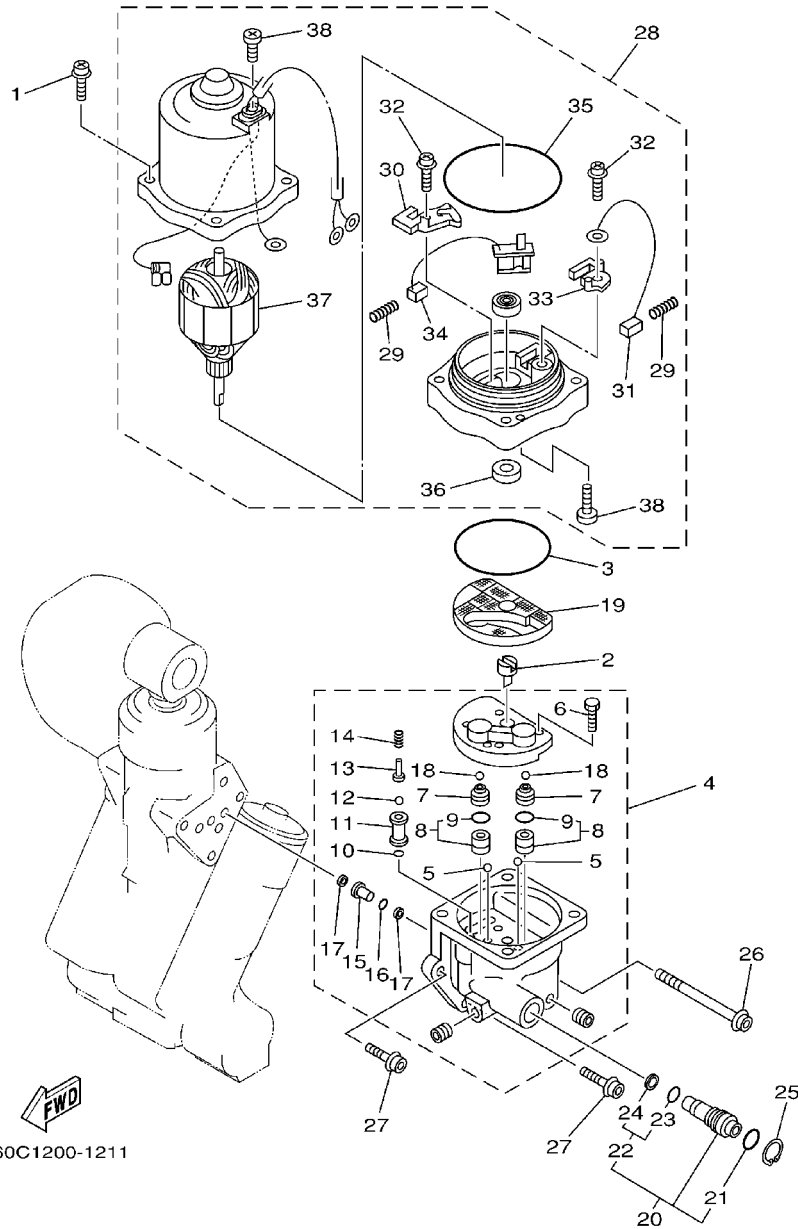
FIG. 19 POWER TRIM & TILT ASSY 1 PUISSANCE PARER ET INCLINER 1



REF. NO.	PART NO. NO. PIECES	DESCRIPTION DESCRIPTION	225D				REMARKS REMARQUES
1	64E-43800-02-4D	POWER TRIM & TILT ASSY PUISSANCE PARER ET INCLINER (E	1				
2	64E-43825-01	HOUSING, TRIM & TILT CARTER	1				
3	64E-4388J-00	PLUG 2 BOUCHON 2	1				
4	93210-10M74	O-RING JOINT TORIQUE	1				
5	64E-43817-00	FILTER 2 FILTRE 2	1				
6	64E-43810-00	TILT PISTON SUB ASSY INCLINER PISTON AUXILIAIRE(ENS	1				
7	64E-43898-00	.SEAL ,DUST 2 .JOINT ANTI-PUSSIERE	1				
8	64E-43867-00	.O-RING .JOINT TORIQUE	1				
9	64E-43866-00	.O-RING .JOINT TORIQUE	1				
10	6E5-43862-00	.O-RING .JOINT TORIQUE	1				
11	64E-43883-00	.O-RING .JOINT TORIQUE	1				
12	6E5-43872-00	RING, BACK UP RESSORT	1				
13	6E5-43814-02	PISTON, FREE PISTON	1				
14	6E5-43862-00	O-RING JOINT TORIQUE	1				
15	64E-43820-00	TRIM PISTON SUB ASSY PARER PISTON AUXILIAIRE (ENS.)	2				
16	64E-43821-00	.SCREW, TRIM CYLINDER END .VIS	1				
17	64E-43822-00	.SEAL, TRIM DUST .JOINT	1				
18	64E-4384J-00	.SEAL, TRIM DOWN .JOINT	1				
19	6G5-43864-00	.O-RING .JOINT TORIQUE	1				
20	6E5-43864-00	O-RING JOINT TORIQUE	2				
21	6E5-43874-01	RING, BACK UP RESSORT	2				
22	64E-43828-00	BODY, RESERVOIR CORPS	1				
23	64E-43829-00	PLUG, RESERVOIR BOUCHON	1				
24	64E-43897-00	O-RING JOINT TORIQUE	1				
25	64E-4388E-00	BOLT ,SCREW (L:14MM) VIS (L:14MM)	3				
26	64E-43869-00	O-RING JOINT TORIQUE	6				
27	64E-4381G-00	PIN COUPILL	1				



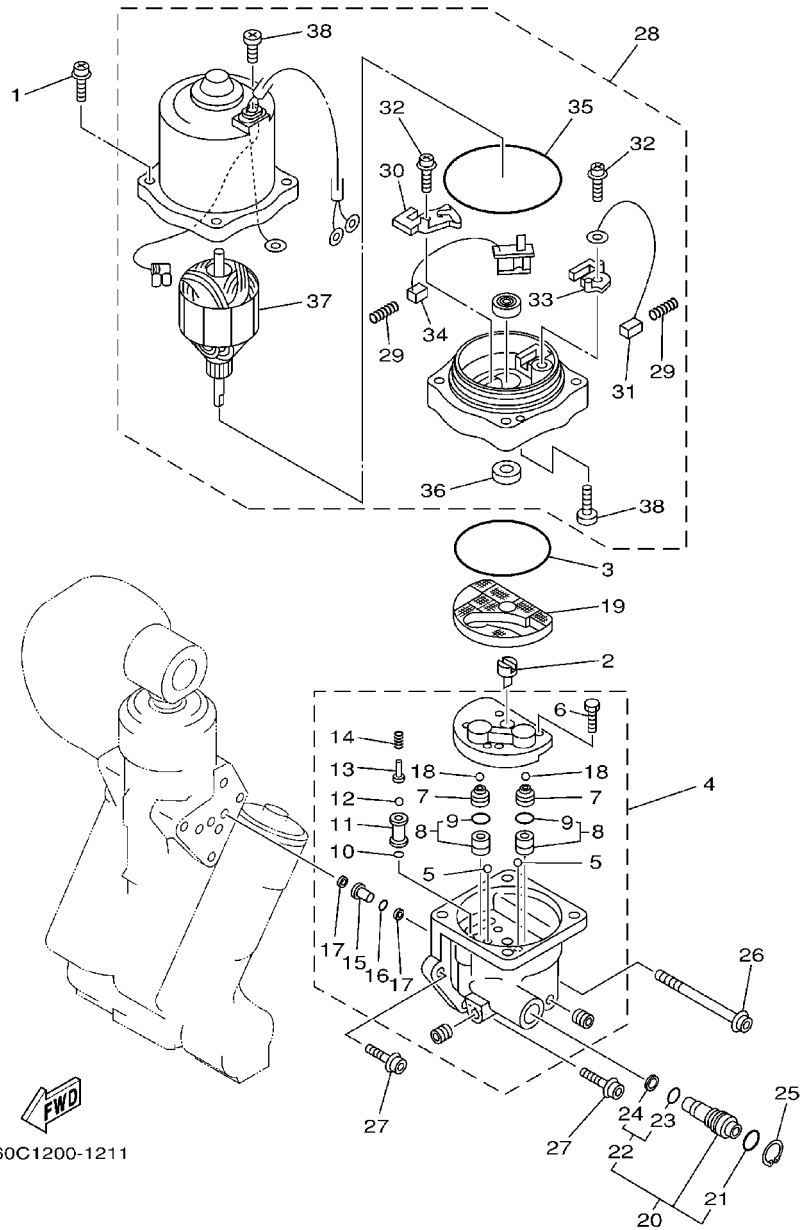
FIG. 20 POWER TRIM & TILT ASSY 2 PUISSANCE PARER ET INCLINER 2



60C1200-1211

REF. NO.	PART NO. NO. PIECES	DESCRIPTION DESCRIPTION	225D				REMARKS REMARQUES
1	64E-4388E-10	BOLT ,SCREW (L:34.7MM) VIS (L:34.7MM)	4				
2	64E-43831-00	CONNECTOR, SHAFT RACCORD	1				
3	64E-43868-00	O-RING JOINT TORIQUE	1				
4	64E-43830-00	GEAR PUMP ASSY POMPE A PIGNON (ENS.)	1				
5	72X-43858-00	.BALL .BILLE	2				
6	64E-43843-00	.SCREW, VALVE LOCK .VIS	4				
7	64E-43841-00	.PISTON, SHUTTLE .PISTON	2				
8	64E-43802-00	.VALVE SUB ASSY .CLAPET AUXILIAIRE (ENS.)	2				
9	6E5-43896-00	..O-RING ..JOINT TORIQUE	1				
10	6G5-43863-00	.O-RING JOINT TORIQUE	1				
11	64E-43851-00	.SEAT, RELIEF VALVE .SIEGE	1				
12	64E-43858-00	BALL .BILLE	1				
13	64E-43859-00	.PIN, VALVE SUPPORT .GOUPILLE	1				
14	64E-43855-00	.SPRING, UP RELIEF .RESSORT	1				
15	64E-43850-00	.VALVE SUB ASSY .CLAPET AUXILIAIRE (ENS.)	1				
16	64E-43865-00	.O-RING JOINT TORIQUE	1				
17	64E-43816-00	.FILTER 1 .FILTRE 1	2				
18	64E-43858-00	.BALL .BILLE	2				
19	64E-43817-10	FILTER 2 FILTRE 2	1				
20	64E-43860-00	MANUAL VALVE SUB-ASSY SOUPAPE, MANUEL (ENS.)	1				
21	72X-85075-L0	.O-RING JOINT TORIQUE	1				
22	64E-43827-00	.RING SET .BILLE	1				
23	64E-4387A-00	..O-RING ..JOINT TORIQUE	1				
24	64E-43873-00	..RING, BACK UP ..RESSORT	1				
25	64E-43875-00	RING, SNAP RESSORT	1				
26	64E-43879-10	SCREW, WITH WASHER VIS, AVEC RONDELLE	1				
27	64E-43879-00	SCREW, WITH WASHER VIS, AVEC RONDELLE	2				

FIG. 20 POWER TRIM & TILT ASSY 2 PUISSANCE PARER ET INCLINER 2



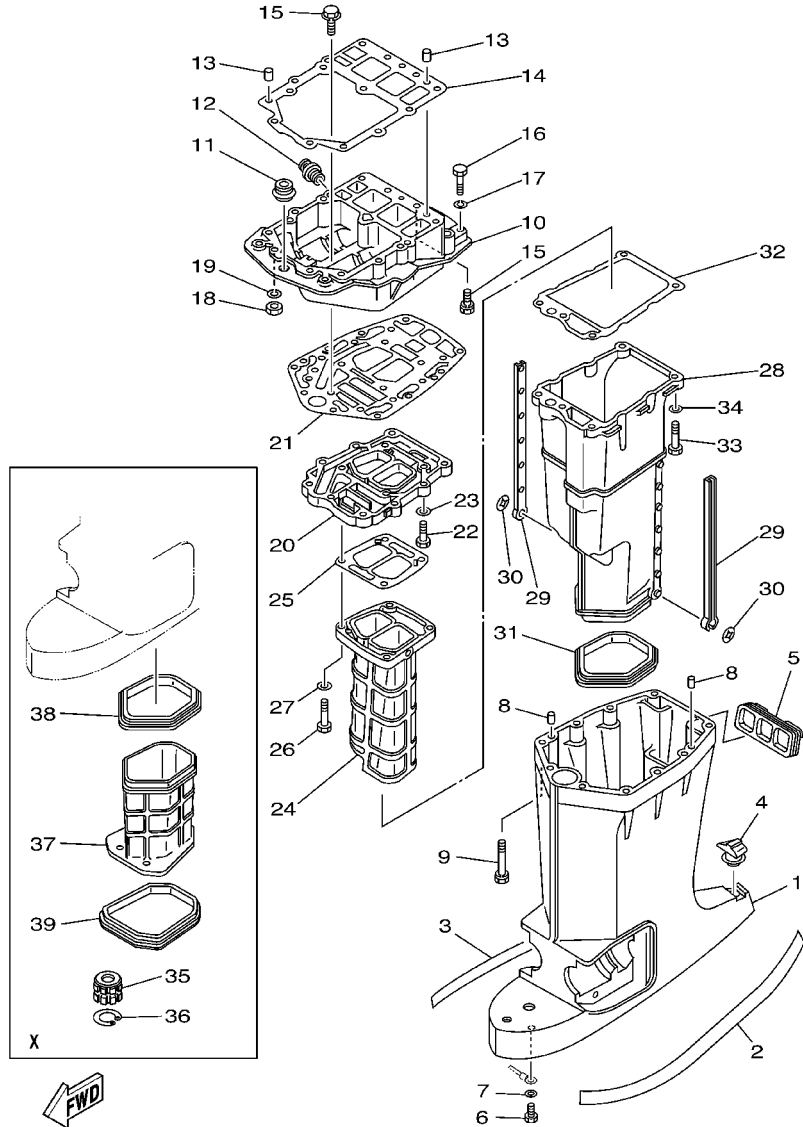
60C1200-1211

REF. NO.	PART NO. NO. PIECES	DESCRIPTION DESCRIPTION	225D				REMARKS REMARQUES
28	64E-43880-01	MOTOR ASSY MOTEUR (ENS.)	1				
29	6H1-4386K-10	.SPRING, BRUSH .RESSORT, BALAI	2				
30	64E-4380J-00	.HOLDER, BRUSH .PORTE-BALAI	1				
31	64E-43891-00	.BRUSH 1 .BALAI 1	1				
32	97607-04310	.SCREW, WITH WASHER .VIS HEXAGONAL	2				
33	64E-4380F-00	.HOLDER, BRUSH 2 .PORTE-BALAI 2	1				
34	64E-43892-00	.BRUSH 2 .BALAI 2	1				
35	6G5-43865-00	.O-RING .JOINT TORIQUE	1				
36	93102-08M43	.OIL SEAL .JOINT SPY	1				
37	64E-43805-00	.ARMATURE ASSY .INDUIT (ENS.)	1				
38	64E-43843-10	.SCREW, VALVE LOCK .VIS	3				



FIG. 21 UPPER CASING

FOURREAU

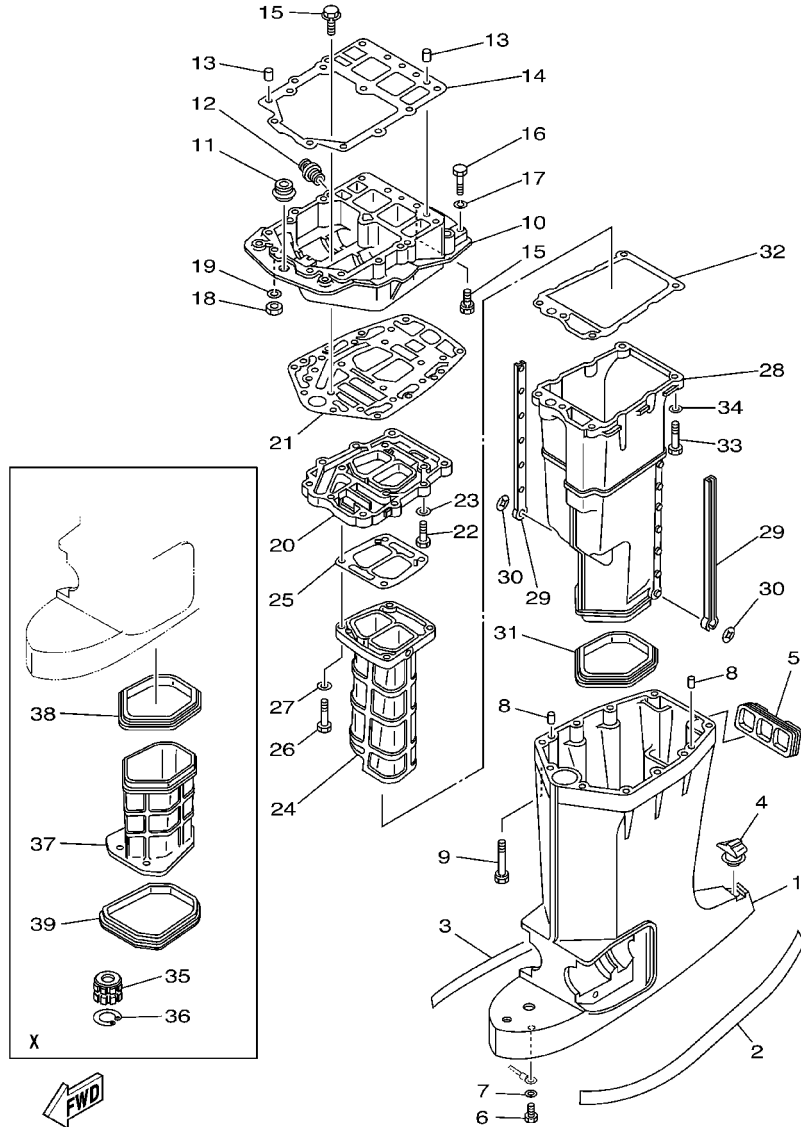


64D1010-2200

REF. NO.	PART NO. NO. PIECES	DESCRIPTION DESCRIPTION	225D				REMARKS REMARQUES
1	6E5-45111-02-8D	CASING, UPPER FOURREAU	1				L
	6E5-45111-23-8D	CASING, UPPER FOURREAU	1				X
2	6R3-42791-41	MARK 1 ETIQUETTE 1	1				
3	6R3-42792-41	MARK ETIQUETTE	1				
4	6E5-45155-00	CAP CAPUCHON	1				
5	6E5-42769-00	SEAL, RUBBER BOURRELET, CAOUTCHOUC	1				
6	97095-06010	BOLT BOULON	1				
7	92995-06600	WASHER RONDELLE	1				
8	93608-12M05	PIN, DOWEL AXE	2				
9	90119-08027	BOLT, WITH WASHER BOULON, AVEC RONDELLE	6				
10	6G5-41137-02-94	GUIDE, EXHAUST COLLECTEUR D'ECHAPPEMENT	1				
11	6E5-42724-00	GROMMET PASSE-FIL	1				
12	6G5-12581-00	JOINT, HOSE 1 JOINT DE TUYAU	1				
13	93608-12M05	PIN, DOWEL AXE	2				
14	6G5-45113-A1	GASKET, UPPER CASING JOINT, TUBE D'ARBRE	1				
15	90119-08M79	BOLT, WITH WASHER BOULON, AVEC RONDELLE	6				
16	97095-08045	BOLT BOULON	2				
17	92995-08100	WASHER RONDELLE	2				
18	95380-08700	NUT ECROU	2				
19	92995-08100	WASHER RONDELLE	2				
20	6G5-41131-01-5B	MANIFOLD, EXT. 1 PIPE D'ECHAPPEMENT	1				
21	6G5-45114-A1	GASKET, UPPER CASING JOINT, TUBE D'ARBRE	1				
22	97095-08030	BOLT BOULON	4				
23	92995-08600	WASHER RONDELLE	4				
24	64D-41132-00-5B	MANIFOLD, EXHAUST PIPE D'ECHAPPEMENT	1				
25	6G5-41134-A1	GASKET, EXHAUST MANIFOLD JOINT, PIPE D'ECHAPPEMENT	1				
26	97095-08045	BOLT BOULON	4				

FIG. 21 UPPER CASING

FOURREAU

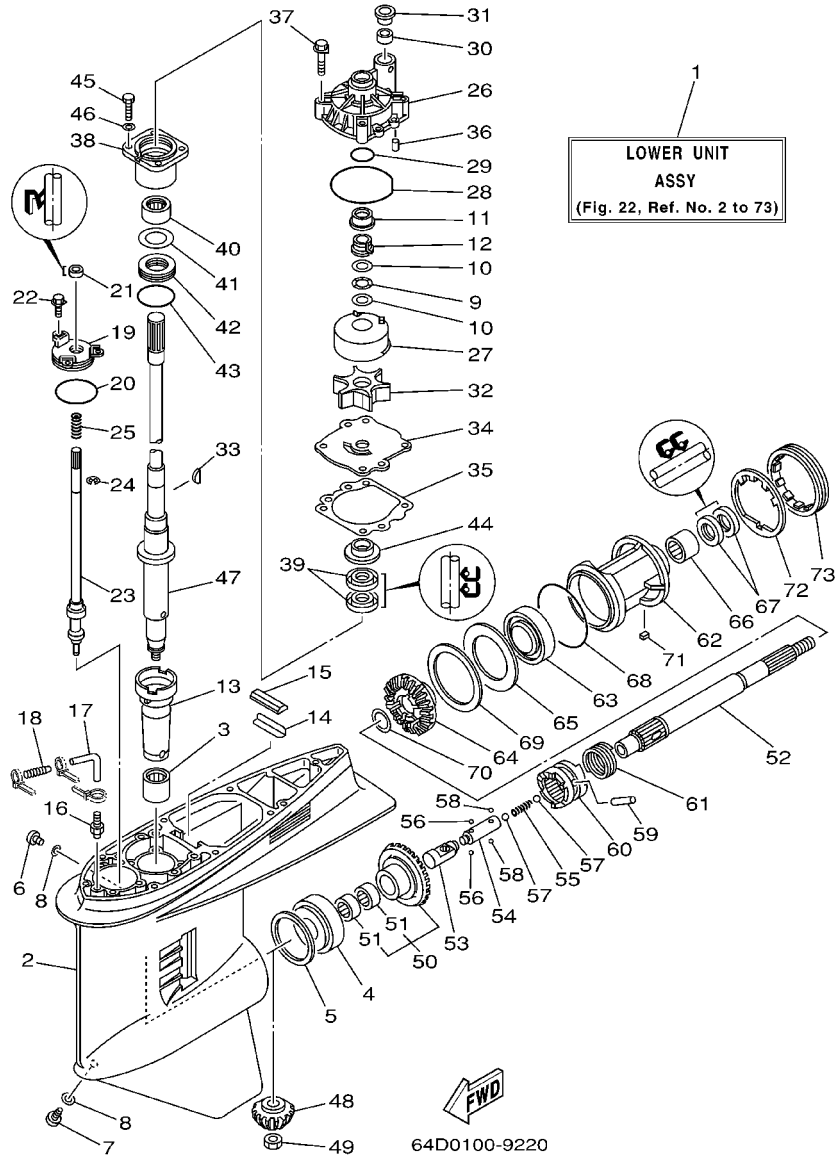


64D1010-2200

REF. NO.	PART NO. NO. PIECES	DESCRIPTION DESCRIPTION	225D			REMARKS REMARQUES
27	92995-08600	WASHER RONDELLE	4			
28	6E5-14711-01-5B	MUFFLER 1 POT D'ECHAPPEMENT 1	1			
29	6E5-14737-00	DAMPER, MUFFLER AMORTISSEUR DE POT D'ECHAPPT	2			
30	90183-05M02	NUT, SPRING ECROU, RESSORT	2			
31	6E5-45123-00	GASKET, MUFFLER JOINT, POT DE DETENTE	1			
32	6E5-41135-A0	GASKET, EXHAUST MANIFOLD JOINT, PIPE D'ECHAPPEMENT	1			
33	97095-08045	BOLT BOULON	5			
34	92995-08600	WASHER RONDELLE	5			
35	6E5-45318-00	BUSHING, DRIVE SHAFT DOUILLE, ARBRE MOTEUR	1			X
36	93420-36M01	CIRCLIP CIRCLIP, TYPE S	1			X
37	64D-14721-20-5B	MUFFLER 2 POT D'ECHAPPEMENT 2	1			X
38	64D-45123-00	GASKET, MUFFLER JOINT, POT DE DETENTE	1			X
39	64D-45375-00	DAMPER, SEAL BOURRELET, CAOUTCHOUC	1			X

FIG. 22 LOWER CASING. DRIVE 1

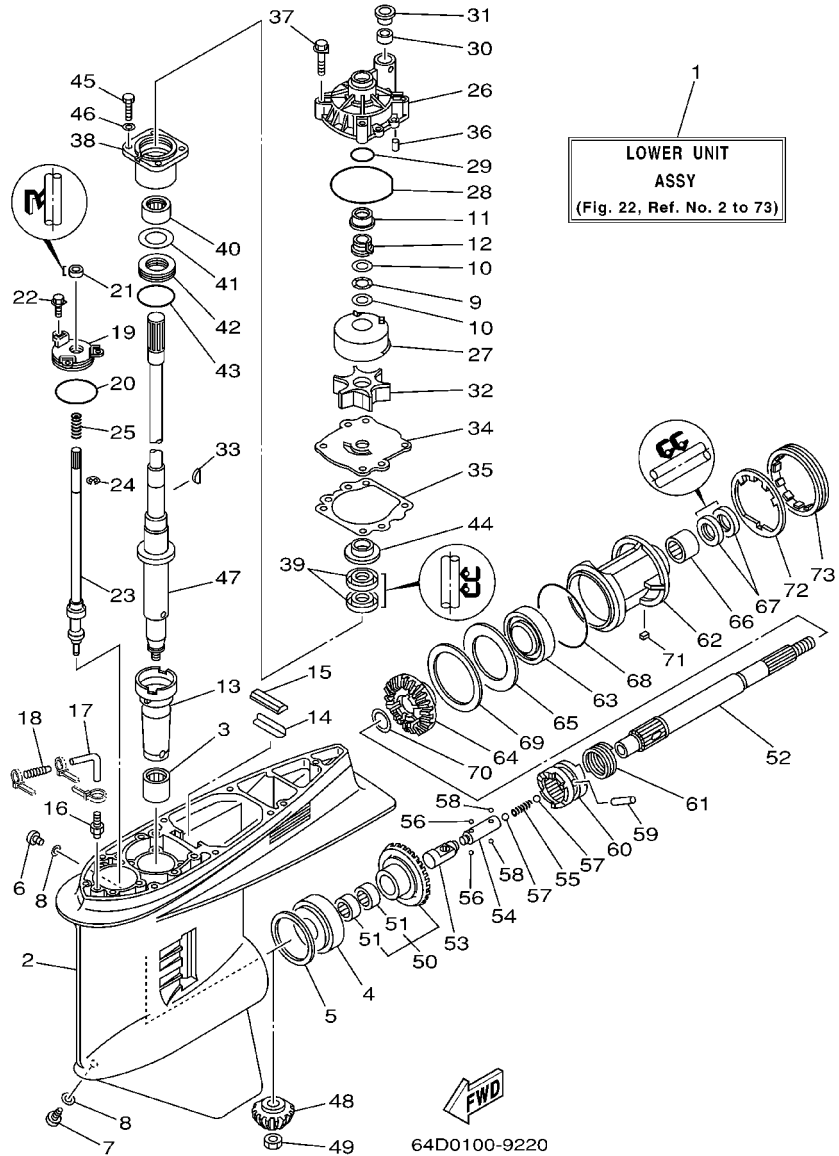
BOITIER D'HELICE, TRANSMISSION 1



REF. NO.	PART NO. NO. PIECES	DESCRIPTION DESCRIPTION	225D				REMARKS REMARQUES
1	64F-45300-02-8D	LOWER UNIT ASSY UNITE INFIEREURE (ENS.)	1				L
	64F-45300-22-8D	LOWER UNIT ASSY UNITE INFIEREURE (ENS.)	1				X
2	6J9-45301-05-8D	CASING, LOWER BEQUILLE	1				
3	93311-928U5	BALL BEARING ROULEMENT	1				
4	93332-000V3	BEARING ROULEMENT	1				
5	6G5-45567-01-10	SHIM (T:0.10MM) CALE (T:0.10MM)	1				UR
	6G5-45567-01-12	SHIM (T:0.12MM) CALE (T:0.12MM)	1				UR
	6G5-45567-01-15	SHIM (T:0.15MM) CALE (T:0.15MM)	1				UR
	6G5-45567-01-18	SHIM (T:0.18MM) CALE (T:0.18MM)	1				UR
	6G5-45567-01-30	SHIM (T:0.30MM) CALE (T:0.30MM)	1				UR
	6G5-45567-01-40	SHIM (T:0.40MM) CALE (T:0.40MM)	1				UR
	6G5-45567-01-50	SHIM (T:0.50MM) CALE (T:0.50MM)	1				UR
6	90340-08002	PLUG, STRAIGHT SCREW PLOT, FILETE DROIT	1				
7	688-45341-10	PLUG, DRAIN BOUCHON DE VIDANGE	1				
8	90430-08020	GASKET JOINT	2				
9	90206-22M19	WASHER, WAVE RONDELLE, ONDULEE	1				
10	90201-22M01	WASHER, PLATE RONDELLE, PLATE	2				
11	61A-45527-00	COLLAR, DRIVE SHAFT ENTRETOISE	1				
12	61A-45538-00	SPACER 1 ENTRETOISE	1				
13	6G5-45536-01	SLEEVE, DRIVE SHAFT MANCHON, ARBRE MOTEUR	1				
14	663-45376-00-94	GUIDE, SEAL DAMPER BUTEE, JOINT CAOUTCHOUC	1				L
	64D-45376-00-94	GUIDE, SEAL DAMPER BUTEE, JOINT CAOUTCHOUC	1				X
15	688-45375-00	DAMPER, SEAL BOURRELET, CAOUTCHOUC	1				
16	6E5-45378-00	NIPPLE, HOSE RACCORD, TUYAU	1				
17	90445-07ME8	HOSE (L80) DURITE (L80)	1				L
	90445-07ME9	HOSE (L120) DURITE (L120)	1				X
18	6E5-83558-10	END, NIPPLE RACCORD DE NIPPLE	1				

FIG. 22 LOWER CASING. DRIVE 1

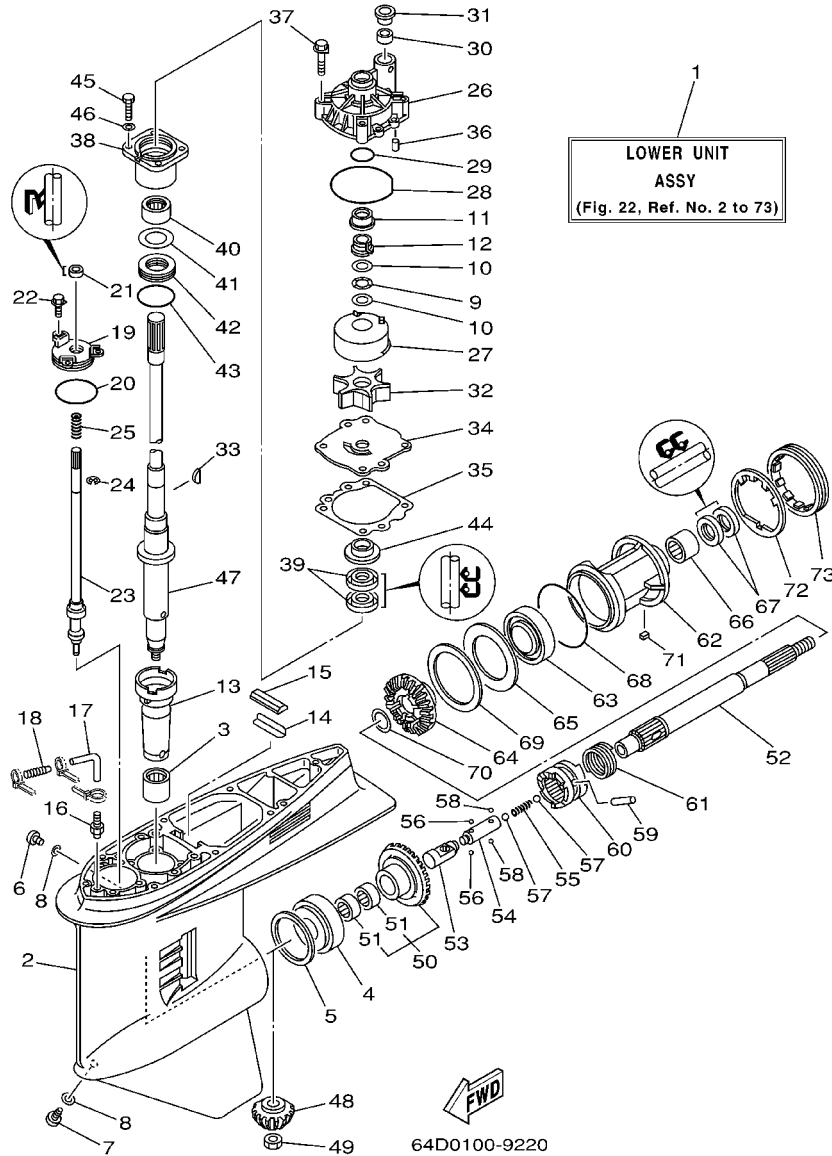
BOITIER D'HELICE, TRANSMISSION 1



REF. NO.	PART NO. NO. PIECES	DESCRIPTION DESCRIPTION	225D				REMARKS REMARQUES
19	6E5-45321-00	PLATE PLAQUETTE	1				
20	93210-58144	O-RING JOINT TORIQUE	1				
21	93106-09014	OIL SEAL JOINT SPY	1				
22	90119-06M10	BOLT, WITH WASHER BOULON, AVEC RONDELLE	3				
23	6G5-44150-02	SHIFT CAM ASSY CAME D'INVERSION.	1				
24	99001-08600	CIRCLIP CIRCLIP	1				
25	90501-11M10	SPRING, COMPRESSION RESSORT, COMPRESSION	1				
26	61A-44311-01	HOUSING, WATER PUMP CORPS, POMPE A EAU	1				
27	61A-44322-02	INSERT, CARTRIDGE CUVETTE	1				
28	93210-86M38	O-RING JOINT TORIQUE	1				
29	93210-37160	O-RING JOINT TORIQUE	1				
30	6E5-44365-00	DAMPER, WATER SEAL JOINT, TUBE D'EAU	1				
31	6E5-44312-00	COVER, WATER PUMP HOUSING COUVERCLE	1				
32	6E5-44352-01	IMPELLER TURBINE	1				
33	90280-04M05	KEY, WOODRUFF CLAVETTE, DEMI-LUNE	1				
34	6G5-44323-00	OUTER PLATE, CARTRIDGE PLAQUE EXTERIEURE	1				
35	6E5-44315-A0	GASKET, WATER PUMP JOINT, POMPE A EAU	1				
36	93606-12019	PIN, DOWEL GOUPILLE	2				
37	90119-08M14	BOLT, WITH WASHER BOULON, AVEC RONDELLE	4				
38	6E5-45331-00-94	HOUSING, BEARING FLASQUE, ROULEMENT	1				
39	93101-28M16	OIL SEAL JOINT SPY	2				
40	93317-330U2	BEARING PIECE	1				
41	6E5-45587-01-10	SHIM (T:0.10MM) CALE (T:0.10MM)	1				UR
	6E5-45587-01-12	SHIM (T:0.12MM) CALE (T:0.12MM)	1				UR
	6E5-45587-01-15	SHIM (T:0.15MM) CALE (T:0.15MM)	1				UR
	6E5-45587-01-18	SHIM (T:0.18MM) CALE (T:0.18MM)	1				UR
	6E5-45587-01-30	SHIM (T:0.30MM) CALE (T:0.30MM)	1				UR

FIG. 22 LOWER CASING. DRIVE 1

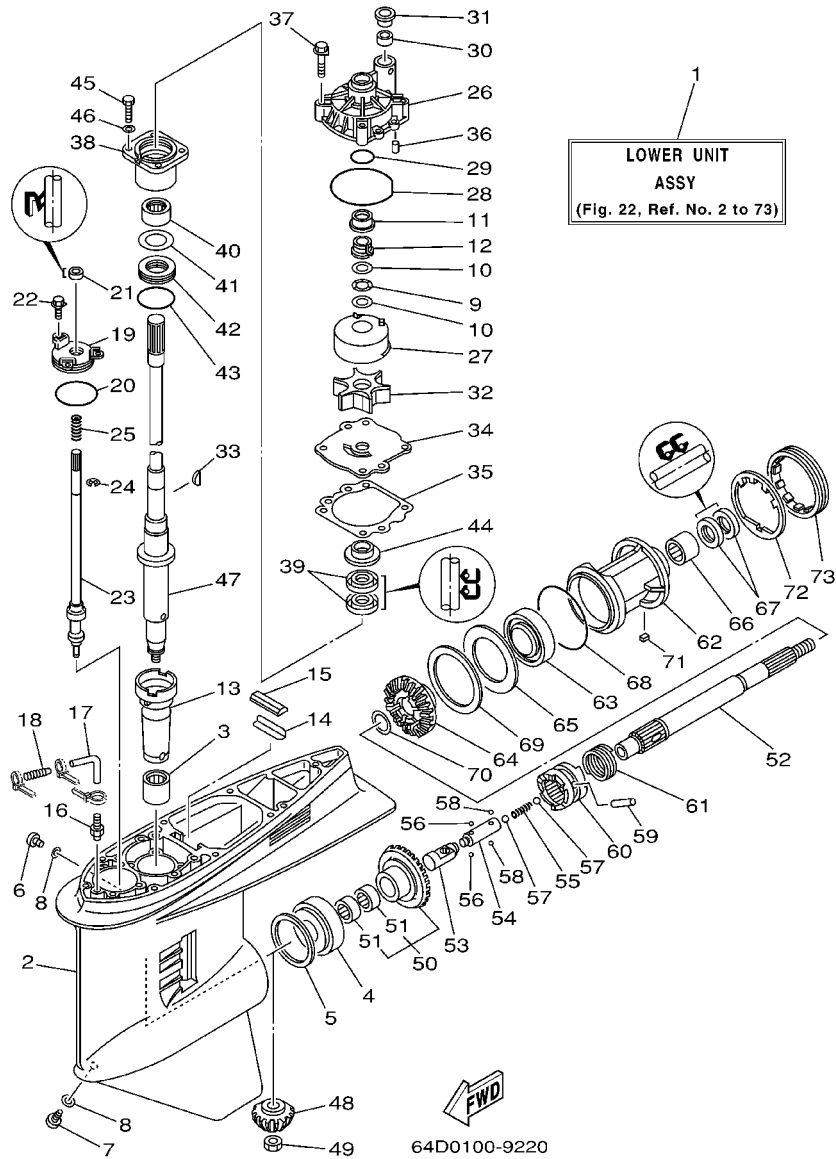
BOITIER D'HELICE, TRANSMISSION 1



REF. NO.	PART NO. NO. PIECES	DESCRIPTION DESCRIPTION	225D				REMARKS REMARQUES
41	6E5-45587-01-40	SHIM (T:0.40MM)	1				UR
	6E5-45587-01-50	CALE (T:0.40MM)	1				UR
42	93341-930V2	BEARING CERVEAUX DE DIRECTION	1				
43	93210-55M14	O-RING JOINT TORIQUE	1				
44	6E5-45344-00	COVER, OIL SEAL FLASQUE, JOINT D'HUILE	1				
45	97095-08025	BOLT BOULON	4				
46	92995-08600	WASHER RONDELLE	4				
47	6G5-45501-01	DRIVE SHAFT COMP. ARBRE MOTEUR COMP.	1				L
	6G5-45501-21	DRIVE SHAFT COMP. ARBRE MOTEUR COMP.	1				X
48	61H-45551-00	PINION PIGNON D'ATTAQUE	1				
49	90170-16M01	NUT ECROU	1				
50	61H-45560-00	GEAR PIGNON	1				
51	93315-425V3	BEARING ROULEMENT	2				
52	6J9-45611-01	SHAFT, PROPELLER ARBRE, HELICE	1				
53	6E5-45641-02	SHIFTER EMBRAYAGE	1				
54	6E5-45634-01	SLIDE, SHIFT CONTRE-POUSOIR	1				
55	90501-16M37	SPRING, COMPRESSION RESSORT, COMPRESSION	1				
56	93507-32009	BALL BILLE	2				
57	93511-32017	BALL BILLES	2				
58	93503-16003	BALL BILLES	2				
59	90250-08M07	PIN, STRAIGHT GOUPILLE, DROITE	1				
60	6G5-45631-10	CLUTCH, DOG CRABOT	1				
61	6E5-45633-01	RING, CROSS PIN JONC, GOUPILLE CRABOT	1				
62	6J9-45332-00-94	HOUSING, BEARING FLASQUE, ROULEMENT	1				
63	93306-209U0	BEARING ROULEMENT	1				
64	61H-45571-01	GEAR PIGNON	1				
65	6G5-45576-10	WASHER, THRUST RONDELLE DE CALAGE	1				

FIG. 22 LOWER CASING. DRIVE 1

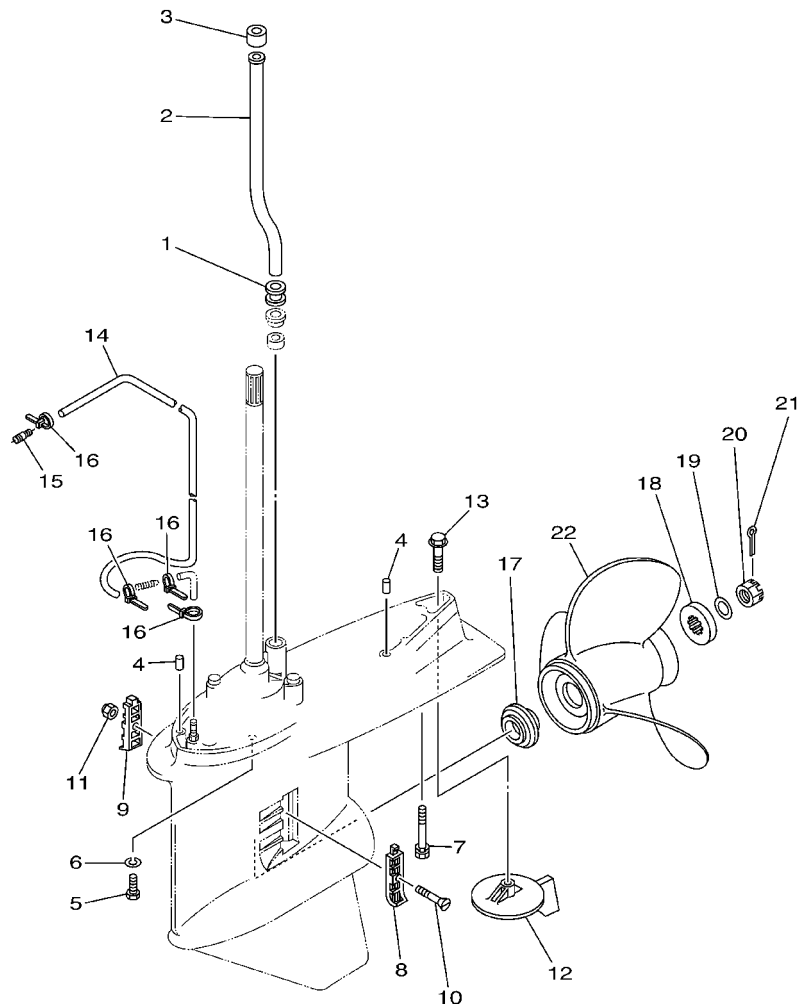
BOITIER D'HELICE, TRANSMISSION 1



REF. NO.	PART NO. NO. PIECES	DESCRIPTION DESCRIPTION	225D				REMARKS REMARQUES
66	93315-430U8	BEARING ROULEMENT	1				
67	93101-30M17	OIL SEAL JOINT SPY	2				
68	93210-97M55	O-RING JOINT TORIQUE	1				
69	6G5-45577-02-10	SHIM (T:0.10MM) CALE (T:0.10MM)	1				UR
	6G5-45577-02-12	SHIM (T:0.12MM) CALE (T:0.12MM)	1				UR
	6G5-45577-02-15	SHIM (T:0.15MM) CALE (T:0.15MM)	1				UR
	6G5-45577-02-18	SHIM (T:0.18MM) CALE (T:0.18MM)	1				UR
	6G5-45577-02-30	SHIM (T:0.30MM) CALE (T:0.30MM)	1				UR
	6G5-45577-02-40	SHIM (T:0.40MM) CALE (T:0.40MM)	1				UR
	6G5-45577-02-50	SHIM (T:0.50MM) CALE (T:0.50MM)	1				UR
70	90201-30M92	WASHER, PLATE RONDELLE, PLATE	1				
71	90282-04M00	KEY, STRAIGHT CLAVETTE, DROITE	1				
72	6G5-45383-01	WASHER, CLAW FREIN D'ECROU	1				
73	6G5-45384-00	NUT ECROU	1				

FIG. 23 LOWER CASING. DRIVE 2

BOITIER D'HELICE, TRANSMISSION 2



67H0010-9250

REF. NO.	PART NO. NO. PIECES	DESCRIPTION DESCRIPTION	225D				REMARKS REMARQUES
1	6E5-44366-00	DAMPER, WATER SEAL JOINT, TUBE D'EAU	1				
2	6E5-44361-00	TUBE, WATER TUBE D'EAU	1				L
	6E5-44361-20	TUBE, WATER TUBE D'EAU	1				X
3	6E5-44365-00	DAMPER, WATER SEAL JOINT, TUBE D'EAU	1				
4	93608-12M05	PIN, DOWEL AXE	2				
5	97075-10045	BOLT BOULON	6				
6	92995-10100	WASHER RONDELLE	6				
7	90119-10M89	BOLT, WITH WASHER BOULON, AVEC RONDELLE	1				
8	6J9-45214-00	COVER, WATER INLET GRILLE, ENTREE D'EAU	1				
9	6J9-45215-00	COVER, WATER INLET GRILLE, ENTREE D'EAU	1				
10	90152-05M08	SCREW, COUNTERSUNK VIS, TETE NOYEE	1				
11	90185-05002	NUT, SELF-LOCKING ECROU, AUTO-BLOCANT	1				
12	6J9-45371-01	TAB-TRIM ANODE DERIVE	1				
13	90105-10M00	BOLT, FLANGE BOULON	1				
14	90445-07M33	HOSE (L1080) DURITE (L1080)	1				
15	6E5-83558-00	END, NIPPLE RACCORD DE NIPPLE	1				
16	90465-11M10	CLAMP BRIDE	4				
17	6E5-45987-01	SPACER ENTRETOISE	1				
18	688-45997-01	SPACER ENTRETOISE	1				
19	92990-18200	WASHER RONDELLE, PLATE	1				
20	90171-18M04	NUT, CASTLE ECROU, CRENELE	1				
21	91490-40030	PIN, COTTER GOUPILLE	1				
22	6G5-45941-00-98	PROPELLER (3X15-1/4"X15"-M) HELICE (3X15-1/4"X15"-M)	1				UR
	6G5-45943-01-98	PROPELLER (3X13-3/4"X21"-M) HELICE (3X13-3/4"X21"-M)	1				UR
	6G5-45945-01-98	PROPELLER (3X14"X19"-M) HELICE (3X14"X19"-M)	1				UR
	6G5-45947-01-98	PROPELLER (3X14-1/2"X17"-M) HELICE (3X14-1/2"X17"-M)	1				UR
	6G5-45949-00-98	PROPELLER (3X13-1/2"X23"-M) HELICE (3X13-1/2"X23"-M)	1				UR

B1

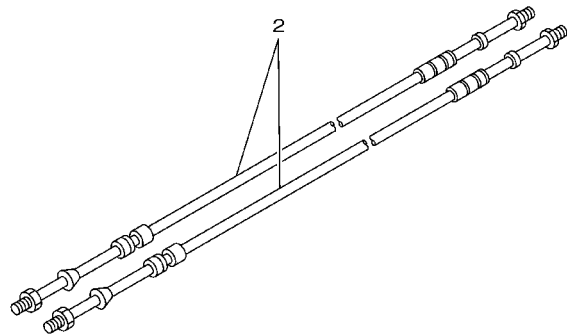
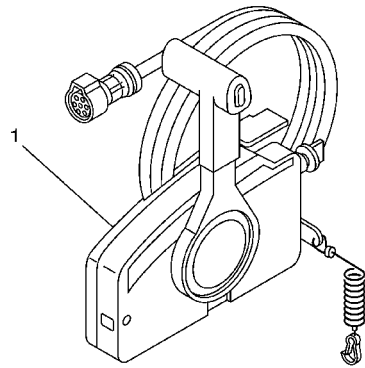






FIG. 25 REMOTE CONTROL BOX

BOITIER DE COMMANDE A DISTANCE

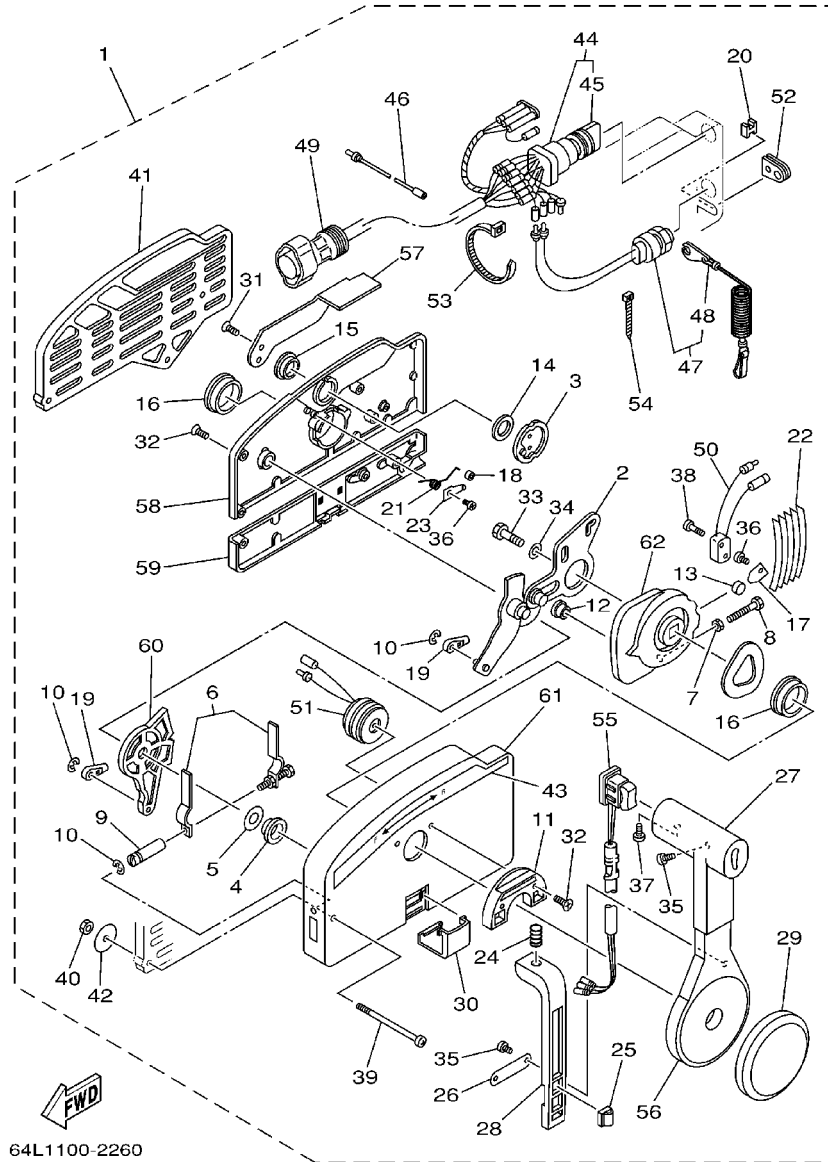


REF. NO.	PART NO. NO. PIECES	DESCRIPTION DESCRIPTION	225D				REMARKS REMARQUES
1	703-48205-17	REMOTE CONTROL ASSY BOITIER DE COMMANDE A DISTANCE	1				AP WITH PT/T SW.
2	701-48320-50	CABLE, REMOTE CONTROL L=15F CABLE, COMMANDE A DISTANCE:15F	2				UR
	701-48320-60	CABLE, REMOTE CONTROL L=16F CABLE, COMMANDE A DISTANCE:16F	2				UR
	701-48320-80	CABLE, REMOTE CONTROL L=17F CABLE, COMMANDE A DISTANCE:17F	2				UR
	701-48350-00	CABLE, REMOTE CONTROL L=21F CABLE, COMMANDE A DISTANCE:21F	2				UR
	701-48350-20	CABLE, REMOTE CONTROL L=23F CABLE, COMMANDE A DISTANCE:23F	2				UR
-----							
-----							
-----							
-----							
-----							
-----							
-----							
-----							

 67M0100-8280

FIG. 26 REMOTE CONTROL ASSY

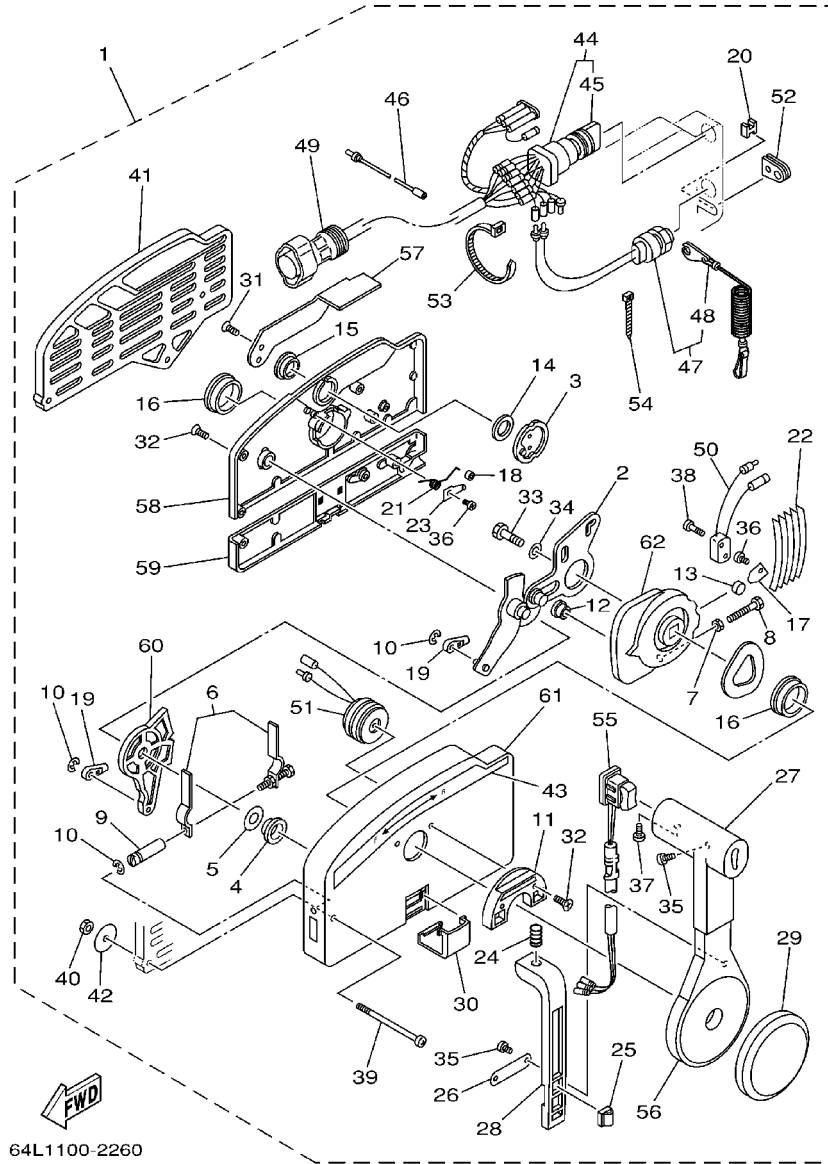
BOITIER DE COMMANDE A DISTANCE



REF. NO.	PART NO. NO. PIECES	DESCRIPTION DESCRIPTION	225D				REMARKS REMARQUES
1	703-48205-17	REMOTE CONTROL ASSY BOITIER DE COMMANDE A DISTANCE	1				AP WITH PT/T SW.
2	703-48261-01	.ARM, THROTTLE .BRAS, ACCELERATION	1				
3	703-48153-00	.SHAFT, FREE ACCEL. .AXE	1				
4	703-48235-00	.BUSHING .COUSSINET	1				
5	703-48268-00	.SPACER .ENTRETOISE	1				
6	703-48264-00	.THROTTLE, FRICTION .ACCELERATION	1				
7	95380-05600	.NUT .ECROU	1				
8	97380-05025	.BOLT .BOULON, HEXAGONAL	1				
9	703-48265-00	.SHAFT, FRICTION .AXE, COPILOTE	1				
10	93430-06024	.CIRCLIP .CLIPS	3				
11	703-48245-00	.PLATE, LOCK .PLAQUE, VERROU	1				
12	703-48252-00	.ROLLER, CAM .POULIE	1				
13	701-48248-00	.ROLLER, FREE ACCEL. .POULIE	1				
14	703-48198-00	.WASHER, WAVE .RONDELLE, ELASTIQUE ONDULEE	1				
15	703-48243-00	.BUSHING .COUSSINET	1				
16	703-48236-00	.BUSHING 1 .POULIE	2				
17	703-48189-00	.RETAINER .FLASQUE	1				
18	703-48234-00	.ROLLER, DETENT .POULIE	1				
19	703-48345-01	.CABLE END, REMOTE CONTROL 2 .CHAPE CABLE	2				
20	703-48358-00	.ANCHOR, CABLE .COLLIER	1				
21	703-48244-00	.SPRING, FREE ACCEL. .RESSORT	1				
22	703-48238-00	.SPRING, DETENT .RESSORT	5				
23	703-48246-00	.SPACER .ENTRETOISE	1				
24	703-48227-00	.SPRING, NEUTRAL LOCK .RESSORT	1				
25	703-82594-00	.CLAMP .BRIDE	1				WITH PT/T SW.
26	703-48226-00	.PLATE, STOPPER .PLAQUETTE	1				
27	703-48222-00	.GRIP, CONTROL LEVER .POIGNEE, COMMANDE LEVIER	1				SINGLE

FIG. 26 REMOTE CONTROL ASSY

BOITIER DE COMMANDE A DISTANCE

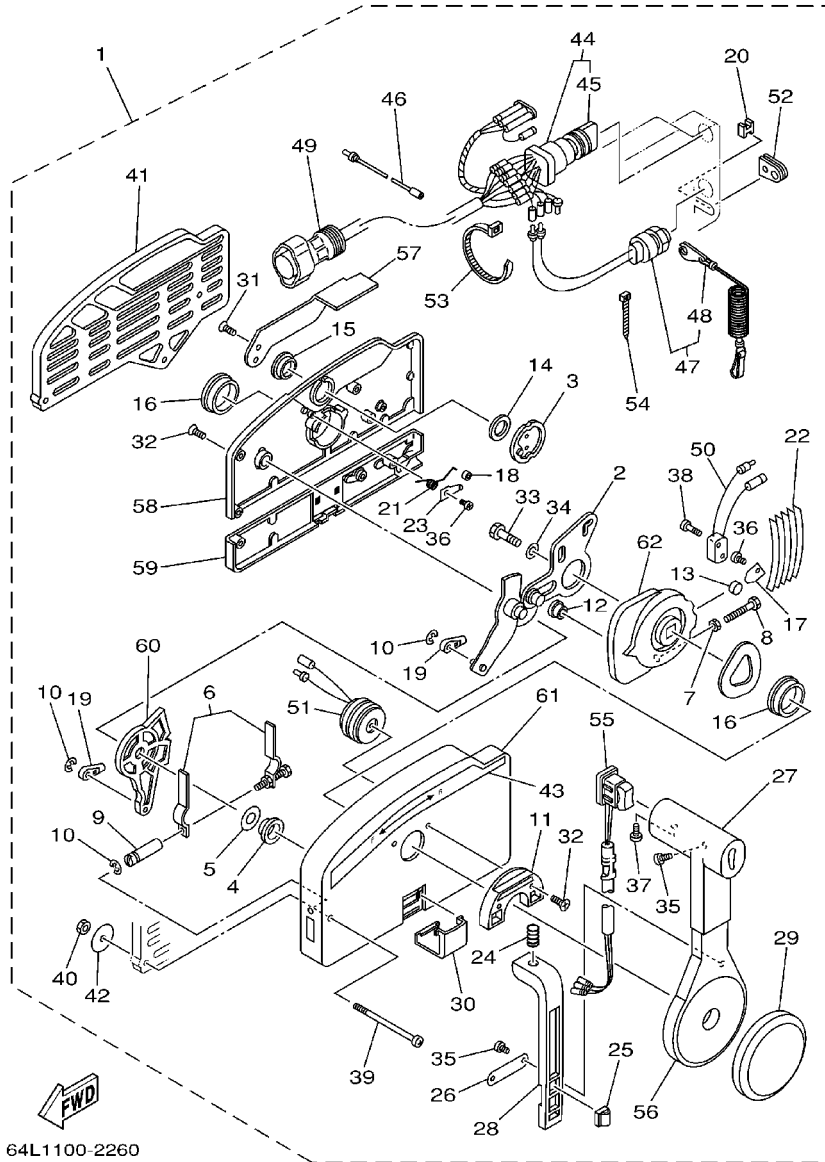


64L1100-2260

REF. NO.	PART NO. NO. PIECES	DESCRIPTION DESCRIPTION	225D				REMARKS REMARQUES
28	703-48223-00	.LOCK, NEUTRAL .VERROU, NEUTRAL	1				
29	703-48225-00	.COVER .COUVERCLE	1				
30	703-48219-00	.COVER, LEAD .COUVERCLE	1				
31	703-48281-00	.SCREW .VIS	2				
32	703-48282-00	.SCREW .VIS	7				
33	97380-08030	.BOLT .BOULON, HEXAGONAL	1				
34	92990-08600	.WASHER, PLATE .RONDELLE, PLATE	1				
35	98580-04010	.SCREW, PAN HEAD .VIS	3				
36	98580-04006	.SCREW, PAN HEAD .VIS	2				
37	98580-05010	.SCREW, PAN HEAD .VIS	1				
38	98580-03015	.SCREW, PAN HEAD .VIS	2				
39	703-48291-10	.SCREW (M6) .VIS (M6)	3				
40	95380-06600	.NUT, HEXAGON .ECROU	3				
41	703-48293-10	.SPACER, REMOTE CONTROL .ENTRETOISE	1				SINGLE
42	701-48287-00	.WASHER .RONDELLE	3				
43	703-48215-00	.GRAPHIC .ADHESIF	1				
44	703-82510-43	.MAIN SWITCH ASSY .CONTACTEUR A CLEF COMPLET	1				
45	703-82577-00	.CAP, KEY .CABOCHON	1				
46	703-82531-00	.WIRE, LEAD .FIL	1				
47	688-82575-01	.ENGINE STOP SWITCH ASSY .COUPE CIRCUIT CPLT	1				
48	682-82556-00	.STOPPER .PLAQUETTE	1				
49	688-8258A-20	.EXTENSION, WIRE HARNESS .EXTENSION, FAISCEAU DE FILS	1				L:5M (10P)
50	703-82540-00	.NEUTRAL SWITCH ASSY .CONTACTEUR DE POINT-MORT	1				
51	703-83383-02	.BUZZER .RONFLEUR	1				
52	703-48284-00	.GROMMET .PASSE-FIL	1				
53	703-82591-00	.BAND .COLLIER	1				
54	703-82592-00	.BAND .COLLIER	1				

FIG. 26 REMOTE CONTROL ASSY

BOITIER DE COMMANDE A DISTANCE



64L1100-2260

REF. NO.	PART NO. NO. PIECES	DESCRIPTION DESCRIPTION	225D				REMARKS REMARQUES
55	703-82563-02	.TRIM & TILT SWITCH ASSY .INCLINER ET PARER COMMUTATEUR	1				WITH PT/T SW.
56	703-48221-00	.LEVER, CONTROL .LEVIER, COMMANDE	1				
57	703-48152-00	.KNOB, FREE ACCEL. .BOUTON	1				
58	703-48212-00	.BACK PLATE 1 .PLAQUETTE 1	1				
59	703-48213-00	.BACK PLATE 2 .PLAQUETTE 2	1				
60	703-48271-00	.ARM, SHIFT .BRAS	1				
61	703-48211-01	.HOUSING,1 .CORPS	1				
62	703-48232-00	.GEAR .PIGNON	1				

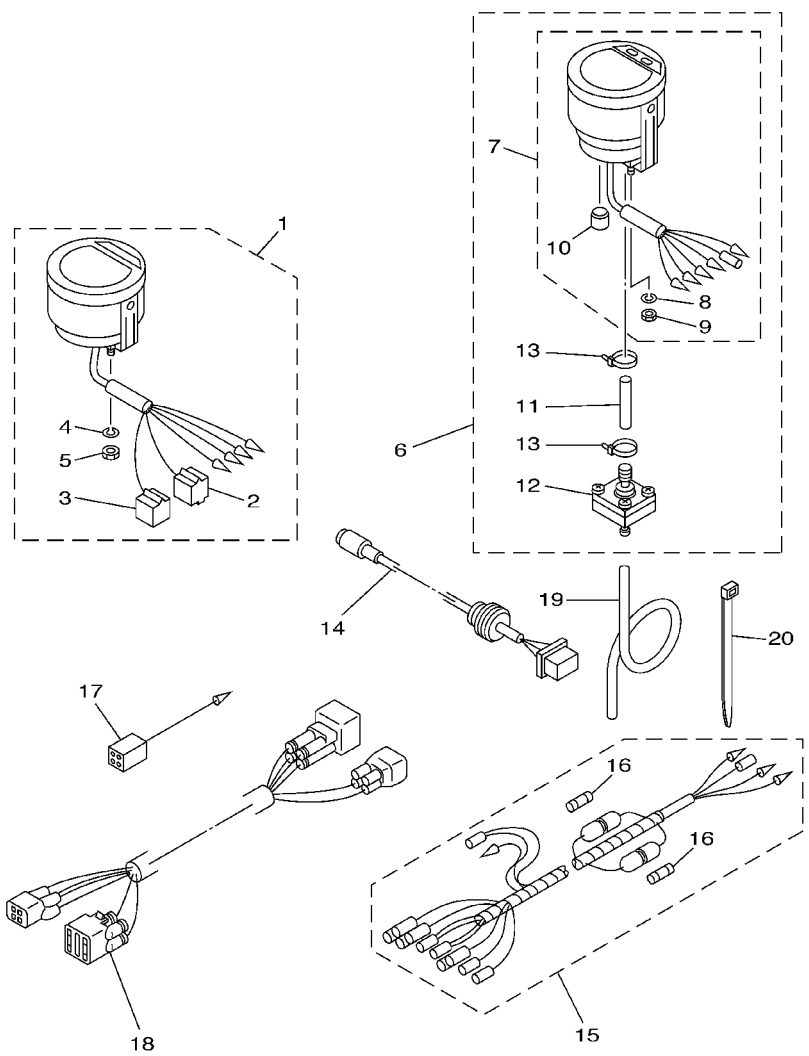


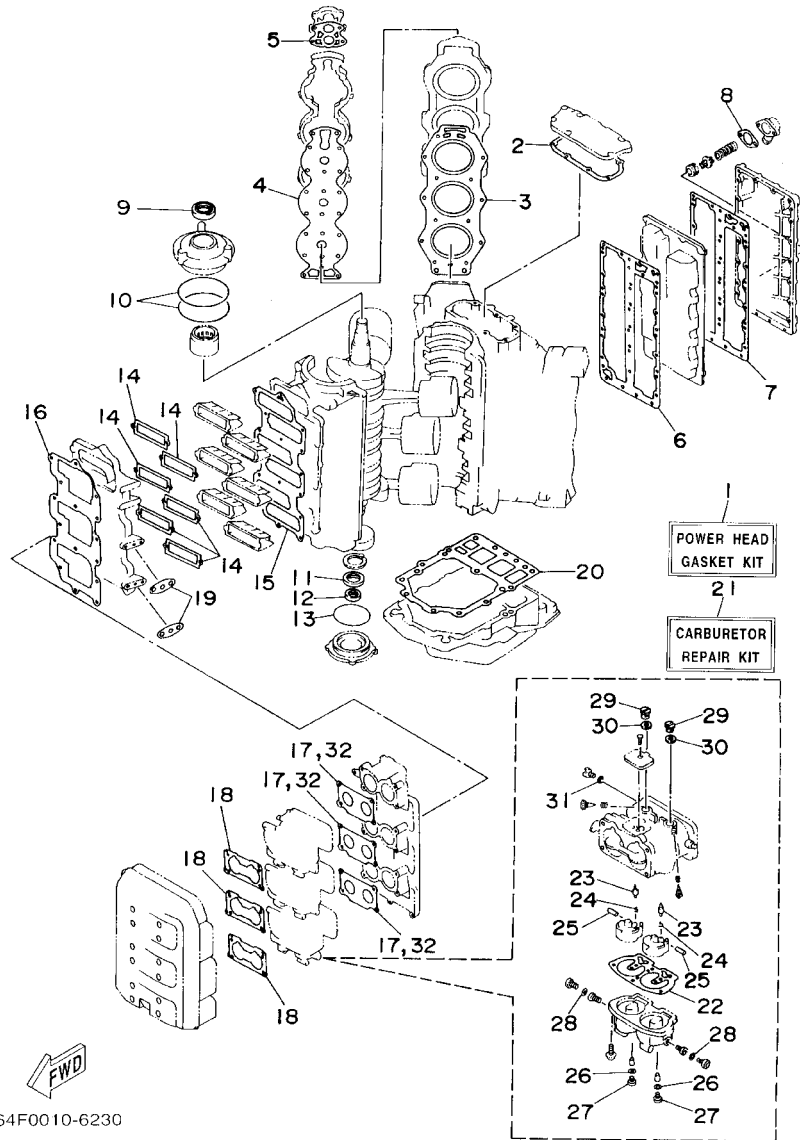
FIG. 27 METER COMPTEUR

REF. NO.	PART NO. NO. PIECES	DESCRIPTION DESCRIPTION	225D				REMARKS REMARQUES
1	6Y5-8350T-02	TACHOMETER ASSY COMPTE-TOURS CPLT	1				AP
2	9E450-04433	.CONNECTOR .CONNECTEUR	1				M-4-W
3	9E450-04533	.CONNECTOR .CONNECTEUR	1				F-4-W
4	92990-04100	.WASHER, SPRING .RONDELLE, GROWER	2				
5	95380-04600	.NUT .ECROU	2				
6	6Y5-83500-S5	DIGITAL SPEEDOMETER ASSY TACHYMETRE NUMERIQUE CPLT.	1				AP
7	6Y5-83570-S5	.SPEEDOMETER ASSY .COMPTEUR DE VITESSE CPLT	1				
8	92990-04100	..WASHER, SPRING ..RONDELLE, GROWER	2				
9	95380-04600	..NUT ..ECROU	2				
10	6Y5-83533-T2	..GROMMET ..RONDELLE CAOUTCHOU	1				
11	6Y5-83557-31	.TUBE .TUBE	1				
12	6Y5-83728-00	.CONNECTOR ASSY .CONNEXION COMPLET	1				
13	90465-11M10	.CLAMP .BRIDE	2				
14	6Y5-87122-S0	CORD ASSY 1 COPDON COMPLET	1				AP
15	6Y5-83553-M0	WIRE, LEAD FIL	1				AP
16	1E6-82151-00	.FUSE (10A) .FUSIBLE (10A)	2				
17	6Y5-82117-00	WIRE, LEAD (BLACK) FIL (NOIR)	1				AP
18	68F-82553-80	EXTENSION, WIRE LEAD EXTENSION, FAISCEAU	1				AP
19	6Y5-83557-10	TUBE (8M) TUBE (8M)	1				AP
20	90465-11M10	CLAMP BRIDE	2				AP

61A1700-2290

FIG. 28 REPAIR KIT 1

KITS DE REPARATION 1



64F0010-6230

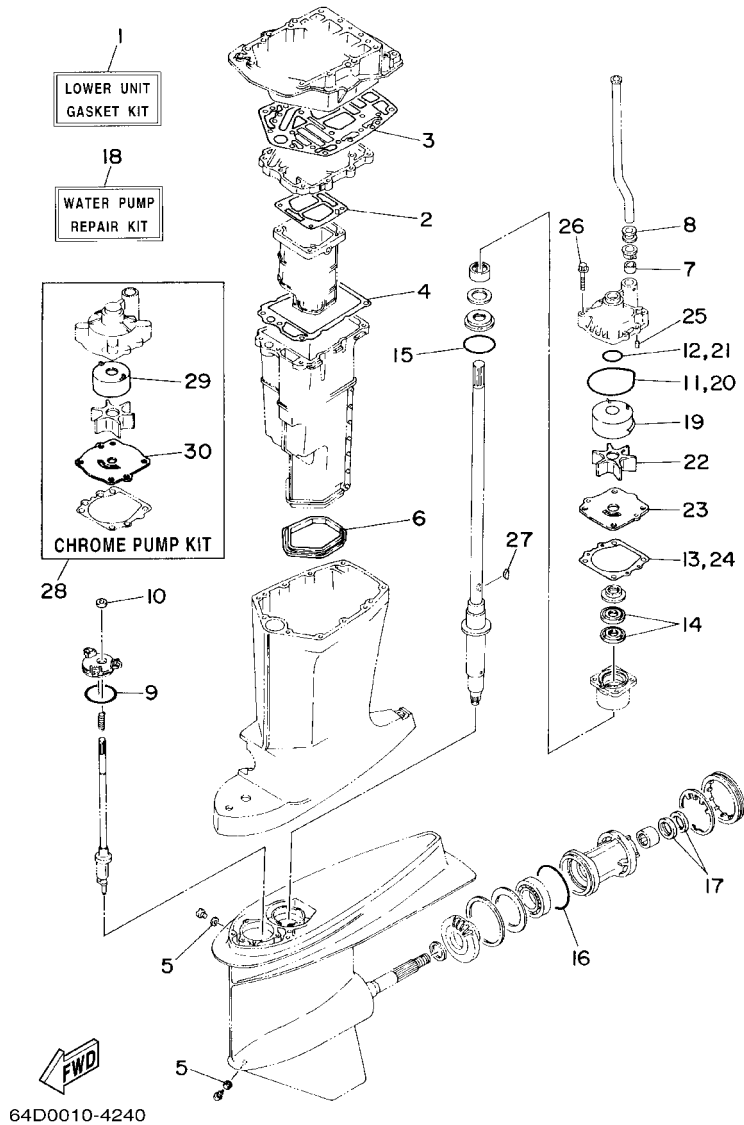
REF. NO.	PART NO. NO. PIECES	DESCRIPTION DESCRIPTION	225D				REMARKS REMARQUES
1	64F-W0001-00	POWER HEAD GASKET KIT POCHETTE DE JINTS TETE MOTRICE	1				
2	6E5-11381-A2	.GASKET 1 .JOINT 1	1				
3	6G5-11181-A2	.GASKET, CYLINDER HEAD 1 .JOINT, DE CULASSE 1	2				
4	6G5-11193-A0	.GASKET, HEAD COVER 1 .JOINT, COUVERCLE DE CULASSE 1	2				
5	688-12414-A1	.GASKET, COVER .JOINT, COUVERCLE	2				
6	6G5-41112-A1	.GASKET, EXHAUST INNER COVER .JOINT, PLAQUE D'ECHAPPEMENT	1				
7	6G5-41114-A0	.GASKET, EXHAUST OUTER COVER .JOINT, COUVERCLE D'ECHAPPEMEN	1				
8	6G5-11382-A1	.GASKET 2 .JOINT 2	1				
9	93102-40M14	.OIL SEAL .JOINT SPY	1				
10	93211-04001	.O-RING .JOINT TORIQUE	2				
11	93102-35M13	.OIL SEAL .JOINT SPY	1				
12	93101-22M15	.OIL SEAL .JOINT SPY	1				
13	93210-74M35	.O-RING .JOINT TORIQUE	1				
14	6K7-13621-A1	.GASKET, VALVE SEAT .JOINT, SIEGE DE CLAPET	6				
15	6K7-13646-A2	.GASKET, MANIFOLD 2 .JOINT, TUBULURE 2	1				
16	64E-13645-A0	.GASKET, MANIFOLD 1 .JOINT, TUBULURE 1	1				
17	6E5-14198-A2	.GASKET .JOINT	3				
18	6K7-14483-00	.GASKET .JOINT	3				
19	650-24431-A0	.GASKET, FUEL PUMP 1 .JOINT 1 DE POMPE A ESSENCE	2				
20	6G5-45113-A1	.GASKET, UPPER CASING .JOINT, TUBE D'ARBRE	1				
21	64D-W0093-01	CARBURETOR REPAIR KIT KIT DE REPARATION CARBURATEUR	1				
22	64D-14384-01	.GASKET, FLOAT CHAMBER .JOINT, CUVE DE FLOTTEUR	1				
23	6E5-14546-00	.VALVE, NEEDLE .POINTEAU	2				
24	6E5-14159-00	.CLIP .JONC	2				
25	6E5-14386-02	.PIN, FLOAT .AXE, FLOTTEUR	2				
26	61U-14959-00	.GASKET .JOINT	2				
27	64D-14394-00	.VALVE, DRAIN .SOUPAPE, VIDANGE	2				





FIG. 29 REPAIR KIT 2

KITS DE REPARATION 2



REF. NO.	PART NO. NO. PIECES	DESCRIPTION DESCRIPTION	225D				REMARKS REMARQUES
1	6G5-W0001-C1	LOWER UNIT GASKET KIT POCHETTE DE JOINTS EMBASE	1				
2	6G5-41134-A1	.GASKET, EXHAUST MANIFOLD .JOINT, PIPE D'ECHAPPEMENT	1				
3	6G5-45114-A1	.GASKET, UPPER CASING .JOINT, TUBE D'ARBRE	1				
4	6E5-41135-A0	.GASKET, EXHAUST MANIFOLD .JOINT, PIPE D'ECHAPPEMENT	1				
5	90430-08020	.GASKET .JOINT	2				
6	6E5-45123-00	.GASKET, MUFFLER .JOINT, POT DE DETENTE	1				
7	6E5-44365-00	.DAMPER, WATER SEAL .JOINT, TUBE D'EAU	1				
8	6E5-44366-00	.DAMPER, WATER SEAL .JOINT, TUBE D'EAU	1				
9	93210-58144	.O-RING .JOINT TORIQUE	1				
10	93106-09014	.OIL SEAL .JOINT SPY	1				
11	93210-86M38	.O-RING .JOINT TORIQUE	1				
12	93210-37160	.O-RING .JOINT TORIQUE	1				
13	6E5-44315-A0	.GASKET, WATER PUMP .JOINT, POMPE A EAU	1				
14	93101-28M16	.OIL SEAL .JOINT SPY	2				
15	93210-55M14	.O-RING .JOINT TORIQUE	1				
16	93210-97M55	.O-RING .JOINT TORIQUE	1				
17	93101-30M17	.OIL SEAL .JOINT SPY	2				
18	61A-W0078-A3	WATER PUMP REPAIR KIT KIT DE REPARATION DE LA POMPE	1				
19	61A-44322-02	.INSERT, CARTRIDGE .CUVETTE	1				
20	93210-86M38	.O-RING .JOINT TORIQUE	1				
21	93210-37160	.O-RING .JOINT TORIQUE	1				
22	6E5-44352-01	.IMPELLER .TURBINE	1				
23	6G5-44323-00	.OUTER PLATE, CARTRIDGE .PLAQUE EXTERIEURE	1				
24	6E5-44315-A0	.GASKET, WATER PUMP .JOINT, POMPE A EAU	1				
25	93606-12019	.PIN, DOWEL .GOUPILLE	2				
26	90119-08M14	.BOLT, WITH WASHER .BOULON, AVEC RONDELLE	4				
27	90280-04M05	.KEY, WOODRUFF .CLAVETTE, DEMI-LUNE	1				



NUMERICAL INDEX  
INDEX NUMERIQUE

PART NO. NO. PIECES	REF. NO.	PART NO. NO. PIECES	REF. NO.	PART NO. NO. PIECES	REF. NO.	PART NO. NO. PIECES	REF. NO.	PART NO. NO. PIECES	REF. NO.	PART NO. NO. PIECES	REF. NO.
6G5-W0001-C1	29 - 1	6E5-12411-30	4 - 7	6E5-14385-02	6 - 6	6K7-24317-00	9 - 42	6G5-41137-02-94	21 - 10	6R3-42771-01-8D	15 - 37
64F-W0001-00	28 - 1	688-12413-00-1S	4 - 8	6E5-14386-02	6 - 9	6K7-24318-00	9 - 43	61H-41213-00	16 - 34	6G5-42791-10	15 - 43
6E5-W0004-00	5 - 2	688-12414-A1	4 - 9		28 - 25	6E5-24319-01	8 - 24	6G5-41217-01	5 - 22	6R3-42791-41	21 - 2
64D-W0070-30	1 - 14		28 - 5	64D-14394-00	6 - 12	6K7-24319-00	9 - 44	6H1-41237-00	7 - 25	6R3-42792-41	21 - 3
61A-W0078-A3	29 - 18	6G5-12416-00	4 - 18		28 - 27	6E5-24321-01	8 - 28	6R5-41237-00	7 - 3	64D-42814-00	1 - 6
61A-W0078-2A	29 - 28	6G5-12576-00	4 - 24	6E5-14398-01	6 - 16	6E5-24322-00	8 - 21	662-41237-01	16 - 27	64D-42815-00-4D	15 - 5
64F-W0090-13-1S	2 - 1	6G5-12581-00	21 - 12		28 - 28	64E-24323-00	8 - 11		16 - 33	64D-42816-00-4D	15 - 6
64D-W0093-01	28 - 21	6R3-13117-00	7 - 21	64D-14440-00	5 - 27	6R3-24377-00	9 - 2	682-41237-50	16 - 31	64D-42818-20	15 - 12
656-W2810-02	8 - 42	6R3-13183-10	7 - 15	6K7-14483-00	5 - 29	6E5-24378-00	9 - 16	6R5-41241-00	7 - 24	64D-42818-30	15 - 13
64E-11111-00-1S	4 - 1	6R5-13200-10	7 - 4		28 - 18		9 - 39	6E5-41256-01	5 - 23	64D-42835-00	15 - 7
67H-11119-01	2 - 28	6E5-13411-00	8 - 5	6R5-14485-00	5 - 8	650-24378-00	4 - 15	661-41262-02	5 - 24	64E-43111-02-8D	17 - 1
6G5-11181-A2	4 - 2	6E5-13414-00	8 - 6	624-14485-00	2 - 4	6E5-24379-00	8 - 13	61H-41271-10	5 - 25	64E-43112-02-8D	17 - 9
	28 - 3	6R3-13416-00	7 - 9		5 - 13		8 - 15	689-41273-00	5 - 26	64E-43126-00	17 - 37
6G5-11191-00-1S	4 - 4	6E5-13437-62	8 - 41	64E-14488-00	11 - 24		8 - 29	688-41611-00	11 - 13	64E-43131-01	17 - 15
6G5-11193-A0	4 - 5	6E5-13448-00	8 - 2	6E5-14527-01	6 - 26	6E5-24410-03	9 - 20	688-41612-00	11 - 14	64E-43139-02	18 - 1
	28 - 4	6R3-13471-00	7 - 5	6E5-14546-00	6 - 7	6E5-24411-00	9 - 25	6G5-41631-01-1S	16 - 10	6G5-43144-00	17 - 27
6E5-11325-00	2 - 26	6L2-13475-00	7 - 6		28 - 23	6E5-24412-10	9 - 32	61H-41632-02-1S	16 - 7	64D-43144-00	15 - 14
646-11370-01	2 - 10	6E5-13552-01	5 - 12	6E5-14711-01-5B	21 - 28	6E5-24413-00	9 - 22	6E5-41636-01	16 - 25	6E5-43185-01	24 - 8
6K7-11371-01-1S	2 - 30	6K7-13610-00	5 - 1	64D-14721-20-5B	21 - 37	6A0-24421-01	9 - 29	6E5-42510-A1-8D	18 - 10	6G5-43148-00	17 - 32
6E5-11372-01	2 - 3	6K7-13621-A1	5 - 3	6E5-14737-00	21 - 29	6E5-24423-00	9 - 27	6E5-42510-B1-8D	18 - 10	6G5-43181-02	17 - 29
6F6-11372-00	2 - 5		28 - 14	64D-1492E-75	6 - 13	648-24424-00	9 - 26	624-42542-00	8 - 9	6G5-43185-02	17 - 30
6G5-11372-00-1S	4 - 22	64E-13624-00-1S	5 - 6	64D-1492E-77	6 - 14	650-24431-A0	9 - 33	64F-42610-50-4D	1 - 1	64E-43311-10-8D	17 - 22
688-11372-01	5 - 7	64E-13641-00-1S	5 - 11	64D-1492E-79	6 - 15		28 - 19	64D-42613-00-4D	1 - 10	64E-43311-20-8D	17 - 22
624-11379-00	2 - 6	64E-13645-A0	5 - 17	64D-1492F-40	6 - 10	6E5-24434-02	9 - 28	64D-42615-00	1 - 9	61A-43376-00	18 - 8
6E5-11381-A2	2 - 31		28 - 16	61A-1492H-12	6 - 17	6E5-24435-00	9 - 24	6R3-42647-00	1 - 2	64E-4380F-00	20 - 33
	28 - 2	6K7-13646-A2	5 - 10	6J8-14959-00	6 - 29	6E5-24444-00	9 - 21	64D-42662-00	1 - 5	64E-4380J-00	20 - 30
6G5-11382-A1	4 - 21		28 - 15		28 - 31	6E5-24471-00	9 - 23	64D-4267A-30	1 - 17	64E-43800-02-4D	19 - 1
	28 - 8	6E5-14159-00	6 - 8	61U-14959-00	6 - 11	61N-24521-00	9 - 7	64F-42677-50	1 - 12	64E-43802-00	20 - 8
6G5-11411-02	3 - 1		28 - 24		28 - 26	6R3-24560-00	9 - 5	64D-42678-30	1 - 18	64E-43805-00	20 - 37
6E5-11447-00	3 - 2	6E5-14198-A2	5 - 20	6E5-14979-00	6 - 22	61N-24563-00	9 - 6	64C-42681-30	1 - 15	64E-4381G-00	19 - 27
663-11518-01	2 - 9		28 - 17		28 - 30	648-24566-02	9 - 9	64C-42682-30	1 - 16	64E-43810-00	19 - 6
6R3-11536-00	3 - 9		28 - 32	64F-15100-00-1S	2 - 2	6A1-28176-00	15 - 44	64F-42687-30	1 - 13	6E5-43814-02	19 - 13
6R3-11537-00	7 - 20	6E5-14223-00	6 - 24	6R3-15163-00-1S	3 - 3	64C-28199-78-A0	8 - 43	64D-42711-01-8D	15 - 1	64E-43816-00	20 - 17
64D-11603-01	3 - 18	6E5-14276-01	7 - 1	6G5-15359-00-94	3 - 12	64C-28199-78-B0	8 - 43	648-42715-00	16 - 51	64E-43817-00	19 - 5
	3 - 20	64F-14301-01	6 - 1	61A-21708-20	8 - 18	64C-28199-88-A0	8 - 44	6E5-42716-10	15 - 40	64E-43817-10	20 - 19
64D-11604-01	3 - 18	64F-14302-01	6 - 2	6E5-21733-20	8 - 19	64C-28199-88-B0	8 - 44	64D-42717-00	15 - 36	64E-43818-01	19 - 32
	3 - 20	64F-14303-01	6 - 3	6E5-21734-01-33	8 - 35	64D-41111-00-1S	4 - 11	6E5-42724-00	21 - 11	64E-4382G-00	19 - 29
64D-11605-01	3 - 18	6E5-14321-00	6 - 19	6E5-21746-00	8 - 37	6G5-41112-A1	4 - 12	64D-42725-30	15 - 19	64E-43820-00	19 - 15
	3 - 20	6E5-14323-03	6 - 23	6E5-21750-05	8 - 1		28 - 6	688-42726-10	15 - 29	64E-43821-00	19 - 16
64D-11631-02-90	3 - 17	6E5-14324-00	6 - 28	6E5-21770-03	8 - 20	6R3-41113-00-1S	4 - 14	61A-42727-00	15 - 3	64E-43822-00	19 - 17
6R5-11633-10	3 - 21	6A0-14325-00	9 - 30	6E5-21798-01-33	8 - 36	6G5-41114-A0	4 - 13	64D-42738-00-5B	15 - 20	64E-43825-01	19 - 2
6R5-11634-10	3 - 22	6E5-14328-01	6 - 21	646-24251-02	8 - 23		28 - 7	64D-42738-10-5B	15 - 21	64E-43827-00	20 - 22
64D-11635-02	3 - 17		28 - 29	6YK-24307-42	10 - 1	6G5-41131-01-5B	21 - 20	6R3-42741-02-8D	15 - 33	64E-43828-00	19 - 22
64D-11636-02	3 - 17	6J8-14334-00	6 - 20	6R3-24313-20	9 - 1	64D-41132-00-5B	21 - 24	6H4-42748-00	15 - 4	64E-43829-00	19 - 23
64D-11642-02-90	3 - 19	64D-14381-00	6 - 5	6G5-24314-00	9 - 15	6G5-41134-A1	21 - 25	68F-42753-00	15 - 41	64E-43830-00	20 - 4
64D-11645-02	3 - 19	61A-14383-01	6 - 18	6E5-24315-00	9 - 18		29 - 2	6E5-42761-00-1S	2 - 33	64E-43831-00	20 - 2
64D-11646-02	3 - 19	64D-14384-01	6 - 4	6K7-24315-00	9 - 17	6E5-41135-A0	21 - 32	6E5-42762-00-1S	2 - 34	64E-4384J-00	19 - 18
6R5-11650-10	3 - 23		28 - 22	6G5-24316-10	9 - 36		29 - 4	6E5-42769-00	21 - 5	64E-43841-00	20 - 7

NUMERICAL INDEX  
INDEX NUMERIQUE

PART NO. NO. PIECES	REF. NO.	PART NO. NO. PIECES	REF. NO.	PART NO. NO. PIECES	REF. NO.	PART NO. NO. PIECES	REF. NO.	PART NO. NO. PIECES	REF. NO.	PART NO. NO. PIECES	REF. NO.
64E-43843-00	20 - 6	688-44194-00	16 - 30	64F-45300-22-8D	22 - 1	6E5-45633-01	22 - 61	703-48265-00	26 - 9	61A-81941-00	13 - 32
64E-43843-10	20 - 38	61A-44311-01	22 - 26	6J9-45301-05-8D	22 - 2	6E5-45634-01	22 - 54	703-48268-00	26 - 5	64D-81942-00	12 - 5
64E-43850-00	20 - 15	6E5-44312-00	22 - 31	6E5-45318-00	21 - 35	6E5-45641-02	22 - 53	703-48271-00	26 - 60	6G5-81948-11	13 - 39
64E-43851-00	20 - 11	6E5-44315-A0	22 - 35	6E5-45321-00	22 - 19	6G5-45930-00-98	23 - 22	703-48281-00	26 - 31	6E5-8195A-00	13 - 35
64E-43855-00	20 - 14		29 - 13	6E5-45331-00-94	22 - 38	6G5-45932-00-98	23 - 22	703-48282-00	26 - 32	6E5-81950-00	13 - 34
6E5-43858-00	19 - 28		29 - 24	6J9-45332-00-94	22 - 62	6G5-45941-00-98	23 - 22	703-48284-00	26 - 52	689-81952-10	13 - 33
64E-43858-00	20 - 12	6R3-44322-42	29 - 29	688-45341-10	22 - 7	6G5-45943-01-98	23 - 22	701-48287-00	26 - 42	6R3-81960-10	12 - 1
	20 - 18	61A-44322-02	22 - 27	6E5-45344-00	22 - 44	6G5-45945-01-98	23 - 22	703-48291-10	26 - 39	6R3-82105-02	13 - 44
72X-43858-00	20 - 5		29 - 19	6J9-45371-01	23 - 12	6G5-45947-01-98	23 - 22	703-48293-10	26 - 41	6E5-82116-00	13 - 38
64E-43859-00	20 - 13	6G5-44323-00	22 - 34	64D-45375-00	21 - 39	6G5-45949-00-98	23 - 22	701-48320-50	25 - 2	6K7-82117-00	13 - 45
6H1-4386K-10	20 - 29		29 - 23	688-45375-00	22 - 15	6G5-45952-00-98	23 - 22	701-48320-60	25 - 2	6Y5-82117-00	27 - 17
64E-43860-00	20 - 20	6G5-44323-40	29 - 30	64D-45376-00-94	22 - 14	6G5-45970-02-98	23 - 22	701-48320-80	25 - 2	6G5-82119-00	13 - 37
6E5-43862-00	19 - 10	6E5-44352-01	22 - 32	663-45376-00-94	22 - 14	6G5-45972-02-98	23 - 22	6E5-48344-00	16 - 8	6E5-82147-00	17 - 26
	19 - 14		29 - 22	6E5-45378-00	22 - 16	6G5-45974-03-98	23 - 22		16 - 44	6E5-82147-20	17 - 26
6G5-43863-00	20 - 10	6E5-44361-00	23 - 2	6G5-45383-01	22 - 72	6G5-45976-01-98	23 - 22	703-48345-01	26 - 19	6E5-82148-00	17 - 6
6E5-43864-00	19 - 20	6E5-44361-20	23 - 2	6G5-45384-00	22 - 73	6G5-45978-03-98	23 - 22	701-48350-00	25 - 2		17 - 10
6G5-43864-00	19 - 19	6E5-44365-00	22 - 30	6G5-45501-01	22 - 47	6E5-45987-01	23 - 17	701-48350-20	25 - 2	6E5-82149-00	18 - 19
6G5-43865-00	20 - 35		23 - 3	6G5-45501-21	22 - 47	688-45997-01	23 - 18	703-48358-00	26 - 20	6R3-82150-00	12 - 2
64E-43865-00	20 - 16		29 - 7	61A-45527-00	22 - 11	703-48152-00	26 - 57	64D-48531-00	16 - 1	1E6-82151-00	27 - 16
64E-43866-00	19 - 9	6E5-44366-00	23 - 1	6G5-45536-01	22 - 13	703-48153-00	26 - 3	64D-48532-00	16 - 2	663-82151-00	13 - 8
64E-43867-00	19 - 8		29 - 8	61A-45538-00	22 - 12	703-48189-00	26 - 17	6E5-48538-00	16 - 3	705-82151-00	12 - 3
64E-43868-00	20 - 3	6E5-44391-00	15 - 18	61H-45551-00	22 - 48	703-48198-00	26 - 14	6E5-61350-02	24 - 1		13 - 9
64E-43869-00	19 - 26	6E5-44511-00-5B	18 - 38	61H-45560-00	22 - 50	703-48205-17	25 - 1	6E5-61351-01	24 - 2	6G5-82152-00	12 - 4
64E-4387A-00	20 - 23	6G5-44514-00-94	18 - 31	6G5-45567-01-10	22 - 5		26 - 1	6E5-61355-00	24 - 5		13 - 52
6E5-43872-00	19 - 12	6G5-44526-00	17 - 3	6G5-45567-01-12	22 - 5	703-48211-01	26 - 61	6E5-81332-00	11 - 16	6A0-82317-00	8 - 8
64E-43873-00	20 - 24	68F-44533-00	2 - 35	6G5-45567-01-15	22 - 5	703-48212-00	26 - 58	64D-81337-01	11 - 19	663-82317-01	11 - 21
6E5-43874-01	19 - 21	6G5-44551-01-8D	18 - 13	6G5-45567-01-18	22 - 5	703-48213-00	26 - 59	6K7-81338-01	5 - 14	6E3-82370-01	13 - 2
64E-43875-00	20 - 25	6E5-44552-01-94	18 - 24	6G5-45567-01-30	22 - 5	703-48215-00	26 - 43	6N7-81800-10	14 - 1	703-82510-43	26 - 44
64E-43879-00	20 - 27	6E5-44553-01-8D	18 - 27	6G5-45567-01-40	22 - 5	703-48219-00	26 - 30	6N7-81801-00	14 - 8	6R3-82519-00	12 - 27
64E-43879-10	20 - 26	6G5-44555-00-94	18 - 16	6G5-45567-01-50	22 - 5	703-48221-00	26 - 56	6N7-81807-00	14 - 11	662-82519-00	12 - 26
64E-4388E-00	19 - 25	6E5-44575-00	18 - 15	61H-45571-01	22 - 64	703-48222-00	26 - 27	61A-81809-00	14 - 3	6E5-82531-10	13 - 6
64E-4388E-10	20 - 1	663-44575-00	18 - 37	6G5-45576-10	22 - 65	703-48223-00	26 - 28	6N7-81810-00	14 - 5	703-82531-00	26 - 46
64E-4388J-00	19 - 3	6E5-45111-02-8D	21 - 1	6G5-45577-02-10	22 - 69	703-48225-00	26 - 29	6N7-81813-00	14 - 9	703-82540-00	26 - 50
64E-43880-01	20 - 28	6E5-45111-23-8D	21 - 1	6G5-45577-02-12	22 - 69	703-48226-00	26 - 26	6E5-8182A-10	14 - 17	68F-82553-80	27 - 18
64E-43883-00	19 - 11	6G5-45113-A1	21 - 14	6G5-45577-02-15	22 - 69	703-48227-00	26 - 24	6E5-8182E-10	14 - 15	682-82556-00	26 - 48
64E-43891-00	20 - 31		28 - 20	6G5-45577-02-18	22 - 69	703-48232-00	26 - 62	6E5-8182F-10	14 - 16	688-82560-10	13 - 18
64E-43892-00	20 - 34	6G5-45114-A1	21 - 21	6G5-45577-02-30	22 - 69	703-48234-00	26 - 18	6K7-8182G-10	14 - 6	6R3-82563-00	13 - 28
6E5-43896-00	20 - 9		29 - 3	6G5-45577-02-40	22 - 69	703-48235-00	26 - 4	6E5-8182K-10	14 - 18	703-82563-02	26 - 55
64E-43897-00	19 - 24	663-45119-00	17 - 14	6G5-45577-02-50	22 - 69	703-48236-00	26 - 16	6N7-81820-10	14 - 10	6E3-8257H-00	15 - 45
64E-43898-00	19 - 7		17 - 25	6E5-45587-01-10	22 - 41	703-48238-00	26 - 22	6K7-81822-00-94	14 - 19	688-82575-01	26 - 47
6E5-44117-00-1S	16 - 38	6E5-45123-00	21 - 31	6E5-45587-01-12	22 - 41	703-48243-00	26 - 15	61A-81824-00	14 - 4	703-82577-00	26 - 45
6E5-44118-01-94	16 - 46		29 - 6	6E5-45587-01-15	22 - 41	703-48244-00	26 - 21	6K7-81826-10	14 - 14	688-8258A-20	26 - 49
6E5-44120-03	16 - 53	64D-45123-00	21 - 38	6E5-45587-01-18	22 - 41	703-48245-00	26 - 11	6N7-81830-00	14 - 13	6E5-82587-00	13 - 29
6E5-44120-23	16 - 53	6E5-45155-00	21 - 4	6E5-45587-01-30	22 - 41	703-48246-00	26 - 23	6N7-81840-00	14 - 7	6E5-82588-00	13 - 46
68F-44121-00	16 - 40	6J9-45214-00	23 - 8	6E5-45587-01-40	22 - 41	701-48248-00	26 - 13	6N7-81850-10	14 - 2		15 - 30
6E5-44122-00	16 - 41	6J9-45215-00	23 - 9	6E5-45587-01-50	22 - 41	703-48252-00	26 - 12	6N7-81857-00	14 - 12	6K7-82588-00	13 - 15
6G5-44150-02	22 - 23	6G5-45251-02	17 - 2	6J9-45611-01	22 - 52	703-48261-01	26 - 2	6E5-81900-01	8 - 26	6R3-8259E-00	12 - 25
688-44194-00	16 - 15	64F-45300-02-8D	22 - 1	6G5-45631-10	22 - 60	703-48264-00	26 - 6	6E5-81922-00	8 - 27	64D-82590-00	13 - 7

NUMERICAL INDEX  
INDEX NUMERIQUE

PART NO. NO. PIECES	REF. NO.	PART NO. NO. PIECES	REF. NO.	PART NO. NO. PIECES	REF. NO.	PART NO. NO. PIECES	REF. NO.	PART NO. NO. PIECES	REF. NO.	PART NO. NO. PIECES	REF. NO.
703-82591-00	26 - 53	90116-06M30	5 - 16	90201-12M05	17 - 42	90387-08M17	16 - 16	90465-11M10	8 - 14	91690-30020	17 - 35
703-82592-00	26 - 54	90116-08M45	2 - 17	90201-13M01	17 - 41	90387-08M37	15 - 25		8 - 16	92903-06100	9 - 11
688-82594-00	13 - 10	90119-06MA2	2 - 32	90201-14M56	18 - 34	90387-10M05	17 - 34		8 - 22	92903-06600	5 - 19
703-82594-00	26 - 25		2 - 36	90201-15M58	18 - 21	90387-10M61	24 - 3		8 - 25		11 - 12
703-83383-02	26 - 51		3 - 7	90201-16M55	18 - 18	90430-08020	22 - 8		8 - 31		12 - 8
6Y5-8350T-02	27 - 1		3 - 16	90201-21M18	11 - 9		29 - 5		9 - 3	92903-08600	16 - 48
6Y5-83500-S5	27 - 6		4 - 23	90201-22M01	22 - 10	90430-14115	2 - 12		9 - 4	92990-04100	27 - 4
6Y5-83533-T2	27 - 10		16 - 39	90201-23M01	3 - 26	90445-05M02	8 - 7		9 - 13		27 - 8
6Y5-83553-M0	27 - 15	90119-06MA4	4 - 6	90201-26M57	18 - 32	90445-07MA3	5 - 28		9 - 14	92990-05600	5 - 5
6E9-83557-70	13 - 42	90119-06MA5	4 - 16	90201-26M59	17 - 19	90445-07ME8	22 - 17		9 - 19	92990-06100	1 - 3
6Y5-83557-10	27 - 19	90119-06MA6	4 - 10	90201-30M92	22 - 70	90445-07ME9	22 - 17		9 - 37	92990-06600	8 - 39
6Y5-83557-31	27 - 11	90119-06M10	22 - 22	90201-38M60	18 - 11	90445-07M07	7 - 17		9 - 38		12 - 17
6E5-83558-00	23 - 15	90119-06M61	12 - 22	90202-05088	7 - 28	90445-07M08	2 - 21		9 - 45		15 - 16
6E5-83558-10	22 - 18	90119-06M65	8 - 10	90202-08M20	16 - 42	90445-07M09	2 - 19		9 - 46		17 - 12
6Y5-83570-S5	27 - 7	90119-08MA3	2 - 29	90202-08M44	7 - 23	90445-07M10	2 - 14		17 - 21	92990-08600	14 - 23
6R3-83614-00	13 - 30	90119-08MA8	4 - 3	90202-12092	16 - 22	90445-07M11	2 - 18		18 - 5		26 - 34
6A1-83625-41	11 - 23	90119-08M14	22 - 37	90202-16061	16 - 56	90445-07M12	2 - 20		23 - 16	92990-10600	13 - 20
6A1-83625-51	11 - 22		29 - 26	90202-26M18	18 - 33	90445-07M33	23 - 14		27 - 13	92990-18200	23 - 19
64E-83672-02	18 - 3	90119-08M22	15 - 28	90202-32M19	18 - 17	90445-07M34	2 - 23		27 - 20	92995-06100	17 - 5
6Y5-83728-00	27 - 12	90119-08M57	14 - 22	90202-40M47	18 - 7	90445-07M72	7 - 13	90465-12M25	13 - 49	92995-06600	1 - 8
72X-85075-LO	20 - 21	90119-08M76	14 - 20	90206-10M04	16 - 36	90445-07M77	7 - 11	90465-13M11	8 - 3		9 - 35
6R3-85510-00	11 - 2	90119-08M77	14 - 21	90206-15M18	15 - 11	90445-07M85	7 - 12		8 - 34		11 - 18
663-85518-00	16 - 11	90119-08M79	21 - 15	90206-22M19	22 - 9	90445-07M87	7 - 16	90465-13M18	4 - 25		12 - 10
64D-85537-00	12 - 23	90119-08M94	2 - 16	90249-08M19	17 - 33	90445-07M90	2 - 22		13 - 43		12 - 14
64E-85540-01	12 - 15	90119-08027	21 - 9	90250-08M07	22 - 59	90445-07196	7 - 14	90468-05M03	7 - 27		12 - 29
6R3-85542-03-1S	12 - 19	90119-10M89	23 - 7	90280-04M05	22 - 33	90445-09097	4 - 17	90468-07M02	7 - 19		13 - 4
64D-85550-02	11 - 1	90152-05M08	23 - 10		29 - 27	90445-11M26	8 - 30	90468-18008	16 - 9		13 - 14
6R3-85570-01	13 - 1	90157-06M07	16 - 28	90280-05015	11 - 8	90445-12207	8 - 12		16 - 43		13 - 17
64D-85580-00	11 - 3	90157-06013	16 - 12	90282-04M00	22 - 71	90445-13M02	9 - 41	90480-06M19	15 - 2		13 - 23
6E5-85711-60	12 - 30	90159-06M08	5 - 30	90336-08M06	5 - 9	90445-13M03	9 - 40	90480-09M12	12 - 21		13 - 26
6E5-85720-04	8 - 32	90159-06M11	12 - 24	90340-08002	22 - 6	90450-10M07	10 - 2	90480-10M28	5 - 15		13 - 41
6R3-85721-80	8 - 33	90170-16M01	22 - 49	90340-14M00	2 - 11	90464-07M05	2 - 24	90480-13M24	11 - 20		13 - 48
6R3-85730-03	8 - 4	90170-20137	11 - 10	90384-06M07	2 - 7		7 - 18	90480-20M05	4 - 20		13 - 51
61A-85790-00	13 - 19	90171-18M04	23 - 20	90384-14M09	2 - 8	90464-07M20	2 - 25	90480-22M15	15 - 24		14 - 28
6R5-85895-01	11 - 5	90179-06M24	1 - 11	90386-06M12	16 - 45	90464-13M34	8 - 17	90480-25161	13 - 5		15 - 23
64E-86110-00	13 - 24	90179-06M28	5 - 21	90386-10M16	17 - 31	90464-15M11	11 - 7	90501-11M10	22 - 25		15 - 32
6Y5-87122-S0	27 - 14	90179-06066	18 - 30	90386-12089	16 - 19		12 - 12	90501-12082	16 - 50		15 - 35
6G5-87149-10	13 - 36	90183-05M02	21 - 30	90386-15M73	15 - 10	90464-20258	15 - 42	90501-16M11	4 - 19		15 - 39
9E450-04433	27 - 2	90185-05002	23 - 11	90386-16M66	16 - 55	90465-05M87	12 - 18	90501-16M12	16 - 13		17 - 8
9E450-04533	27 - 3	90185-09M01	24 - 6	90386-22M13	16 - 21		13 - 11	90501-16M28	18 - 28		21 - 7
90101-08M14	16 - 17	90185-12M12	18 - 36	90386-22M98	17 - 38	90465-06M86	4 - 26	90501-16M37	22 - 55	92995-08100	16 - 6
90101-12M03	17 - 40	90185-22M11	17 - 20		19 - 33		11 - 4	90506-14M24	17 - 36		17 - 17
90105-10M00	23 - 13	90201-06068	15 - 9	90386-25M31	17 - 18		13 - 21	90506-16M34	15 - 17		21 - 17
90105-10M20	2 - 15	90201-08M13	16 - 23	90386-38M32	18 - 12		14 - 26	90508-29M12	16 - 24		21 - 19
90109-06M40	7 - 8	90201-08M14	19 - 30	90387-06M03	12 - 20	90465-06M88	12 - 11	90560-12M01	24 - 4	92995-08600	14 - 25
90109-08022	3 - 24	90201-08M23	16 - 18	90387-06M29	16 - 35	90465-08M63	17 - 23	91490-40030	23 - 21		21 - 23
90109-12M37	18 - 35	90201-08M54	15 - 26	90387-06M66	12 - 6	90465-08M89	13 - 12	91690-30012	16 - 4		21 - 27
90109-14M34	18 - 20	90201-10M20	24 - 7	90387-08M16	16 - 20	90465-11M10	7 - 10	91690-30016	7 - 2		21 - 34

NUMERICAL INDEX  
INDEX NUMERIQUE

PART NO. NO. PIECES	REF. NO.	PART NO. NO. PIECES	REF. NO.	PART NO. NO. PIECES	REF. NO.	PART NO. NO. PIECES	REF. NO.	PART NO. NO. PIECES	REF. NO.	PART NO. NO. PIECES	REF. NO.
92995-08600	22 - 46	93311-940U3	3 - 4	97075-08035	15 - 27	97885-05012	11 - 6				
92995-10100	18 - 26	93315-425V3	22 - 51	97075-10045	23 - 5	97885-06010	11 - 17				
	18 - 40	93315-430U8	22 - 66	97080-06100	8 - 38	97885-06016	18 - 4				
	23 - 6	93317-330U2	22 - 40	97080-08016	19 - 31		18 - 29				
92995-14600	18 - 23	93332-000V3	22 - 4	97090-06012	15 - 15	97980-05108	6 - 27				
93101-22M15	3 - 14	93341-930V2	22 - 42	97095-06010	17 - 7	97980-05116	6 - 25				
	28 - 12	93410-16006	16 - 57		17 - 28	98580-03015	26 - 38				
93101-28M16	22 - 39	93410-22M11	17 - 39		21 - 6	98580-04006	26 - 36				
	29 - 14	93410-37M04	18 - 14	97095-06012	1 - 7	98580-04010	26 - 35				
93101-30M17	22 - 67	93410-40M03	3 - 11		12 - 9	98580-05010	26 - 37				
	29 - 17	93420-36M01	21 - 36		12 - 13	98780-04015	2 - 27				
93102-08M43	20 - 36	93430-06024	26 - 10		12 - 28	99001-08600	22 - 24				
93102-35M13	3 - 13	93501-04M02	16 - 49		13 - 13						
	28 - 11	93503-16003	22 - 58		13 - 22						
93102-40M14	3 - 5	93507-32009	22 - 56		13 - 31						
	28 - 9	93511-32017	22 - 57		13 - 50						
93106-09014	22 - 21	93606-12019	22 - 36		14 - 27						
	29 - 10		29 - 25	97095-06016	13 - 25						
93210-03261	13 - 27	93608-12M05	21 - 8		13 - 40						
93210-09165	16 - 54		21 - 13		15 - 22						
93210-10M74	19 - 4		23 - 4	97095-06020	13 - 3						
93210-13M04	7 - 22	93608-12063	2 - 13		13 - 16						
93210-16275	24 - 9	93700-06M03	16 - 52		13 - 47						
93210-19MA7	7 - 7		17 - 13		15 - 31						
93210-32738	9 - 8		17 - 24		15 - 34						
93210-37MH7	18 - 6	94702-00247	4 - 27		15 - 38						
93210-37160	22 - 29	95303-06600	16 - 14	97095-06025	16 - 37						
	29 - 12		16 - 29	97095-06030	17 - 4						
	29 - 21	95380-03600	9 - 31	97095-06040	15 - 8						
93210-55M14	22 - 43	95380-04600	27 - 5	97095-06050	9 - 34						
	29 - 15		27 - 9	97095-08016	14 - 24						
93210-58144	22 - 20	95380-05600	7 - 26	97095-08020	16 - 5						
	29 - 9		16 - 26		17 - 16						
93210-74M35	3 - 15		16 - 32	97095-08025	22 - 45						
	28 - 13		26 - 7	97095-08030	21 - 22						
93210-86M38	22 - 28	95380-06600	1 - 4	97095-08045	21 - 16						
	29 - 11		8 - 40		21 - 26						
	29 - 20		26 - 40		21 - 33						
93210-97M55	22 - 68	95380-08600	9 - 12	97095-10045	18 - 25						
	29 - 16	95380-08700	21 - 18		18 - 39						
93211-04001	3 - 6	95380-12600	17 - 43	97380-05025	26 - 8						
	28 - 10	95380-14800	18 - 22	97380-08030	26 - 33						
93306-208U0	3 - 10	95780-10300	18 - 9	97607-04310	20 - 32						
93306-209U0	22 - 63	97013-06014	9 - 10	97780-60525	18 - 2						
93310-323V6	3 - 25	97013-06050	5 - 18	97880-05016	5 - 4						
93310-836V2	3 - 27	97013-06055	12 - 7	97880-06012	17 - 11						
93310-954U1	3 - 8	97013-06070	11 - 11	97880-06018	11 - 15						
93311-928U5	22 - 3	97013-08030	16 - 47	97880-06020	12 - 16						

225DETO  
PARTS CATALOGUE  
©2002 by Yamaha Motor Co., Ltd.  
1st Edition, Jun. 2002  
All rights reserved.  
Any reprinting or unauthorized use  
without the written permission of  
Yamaha Motor Co., Ltd.  
is expressly prohibited.

225DETO  
CATALOGUE DE PIÈCES DÉTACHÉES  
©2002 Yamaha Motor Co., Ltd.  
1ère Edition, Juin. 2002  
Tous droits réservés.  
Toute réimpression ou utilisation  
sans la permission écrite de la  
Yamaha Motor Co., Ltd.  
est formellement interdite.